



APEX Collaborative Trapezoid Desk

MODEL
38-2284

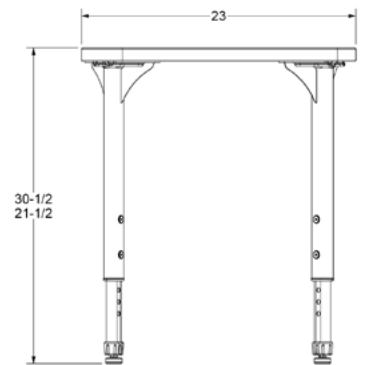
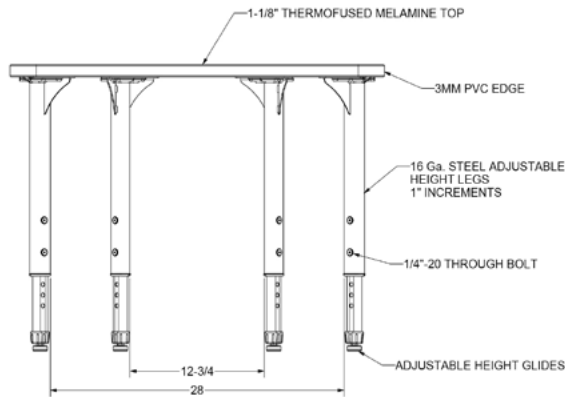
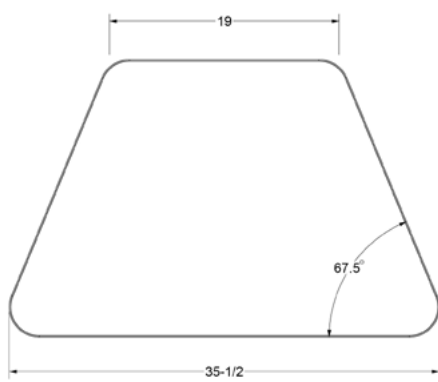
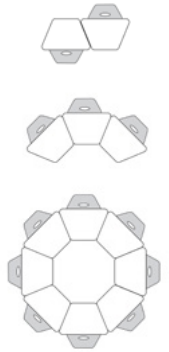
Weight
39 lbs.

Freight Class
125

Units per Carton
1

FEATURES

- Top constructed of 1 1/8" particleboard with thermo-fused melamine surface on top and bottom
- 3mm PVC edge banding bonded with hot-melt adhesive
- Pre-drilled holes for easy leg assembly
- 1" 16-gauge square tubular steel stretcher attached to all tables 60" in length or longer
- Four 16-gauge steel legs mounted on a 12-gauge steel plate, fully coated with a durable powder coat finish
- Lower adjustable legs constructed of 16-gauge steel with a durable powder coat finish, tapped at 1" intervals for adjustment from 21" - 30" heights
- Nickel plated nylon swivel glides standard



OPTIONAL ACCESSORIES



Optional backpack hook, locking casters, book box and Makerspace Tray Mount Kit.

Note: Makerspace Tray Mount Kit not available on desks 54" or larger.



TABLETOP LAMINATES



EDGE BAND OPTIONS



LEG COLORS



High Pressure Laminates available upon request. Minimum order of 25 units in the same color.

LEAD-TIME

All models and colors listed with (Standard) tops ship within 1-2 weeks. All models and colors listed with (Markerboard) or (HPL) tops ship within 2-4 weeks (HPL orders must have a minimum of 25 units in the same color). To ship in 1-2 weeks, all products on a purchase order must be 2-week lead-time models or less. If any item on a purchase order is not considered a 2-week lead-time item or less, the entire order will ship at the time the longest lead-time item is available. To ship in 2-4 weeks, all products on a purchase order must be 4-week lead-time models or less. If any item on a purchase order is not considered a 4-week lead-time item or less, the entire order will ship at the time the longest lead-time item is available.