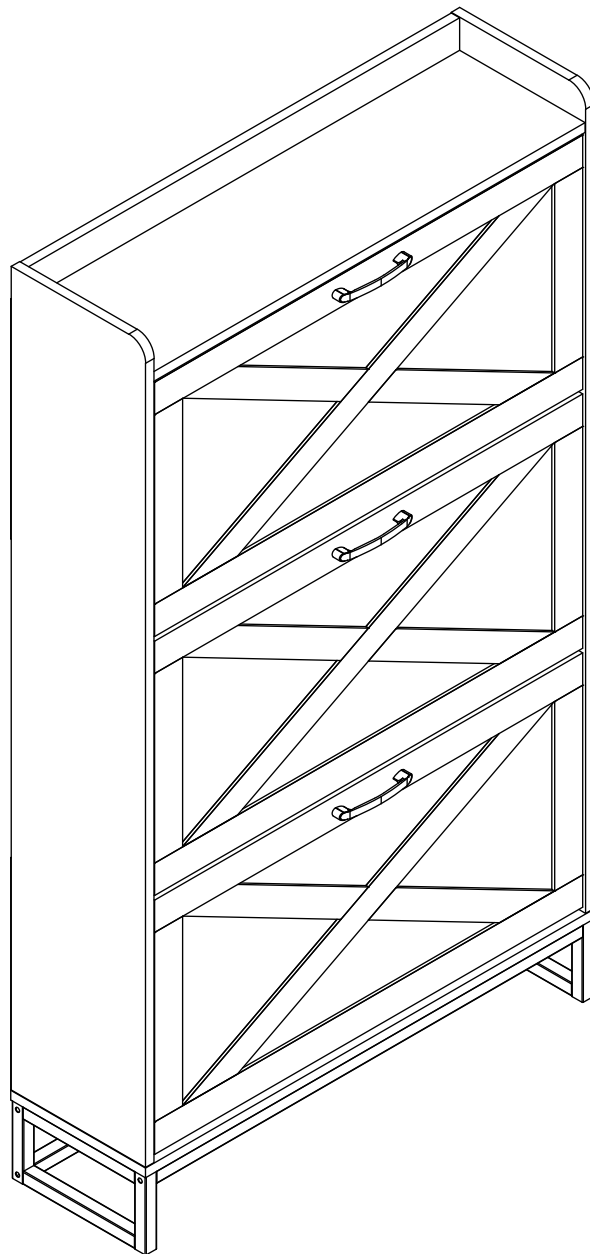
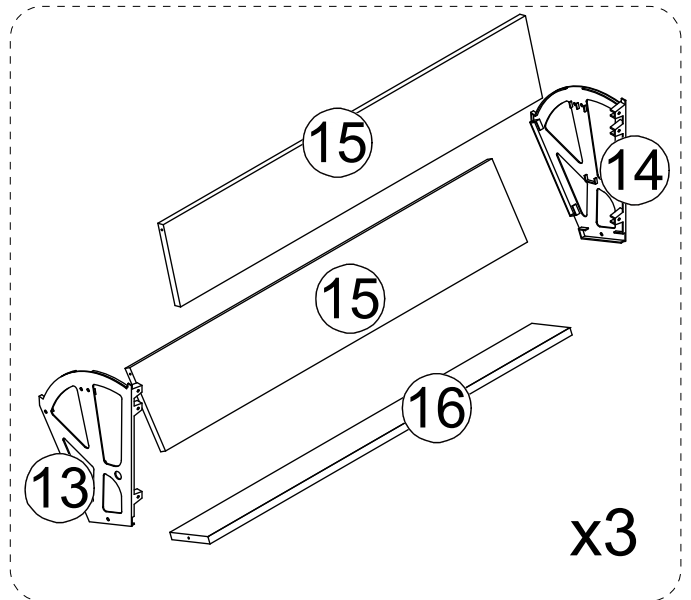
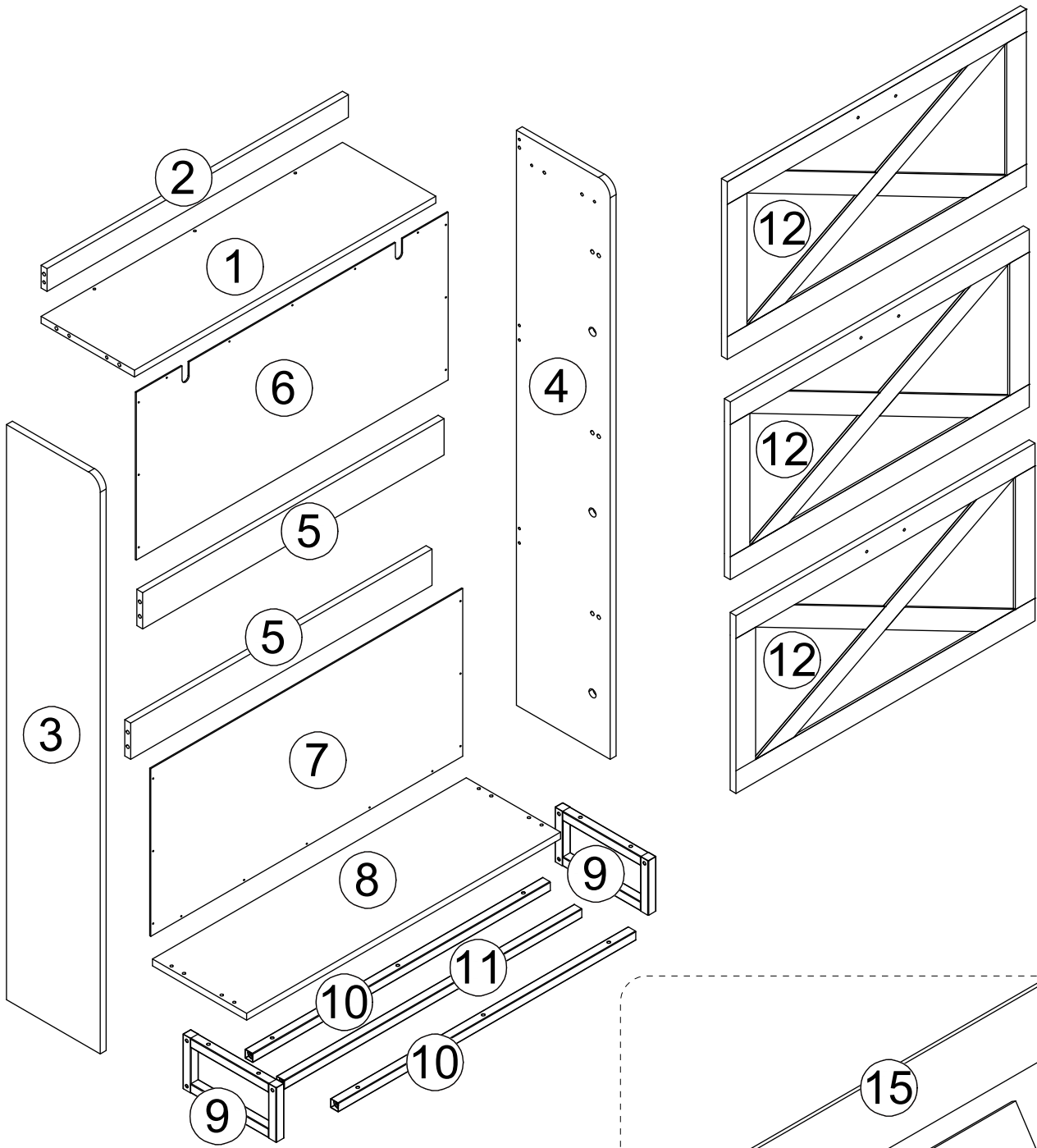




Assembly Instruction

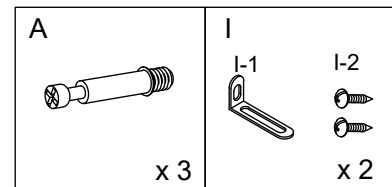
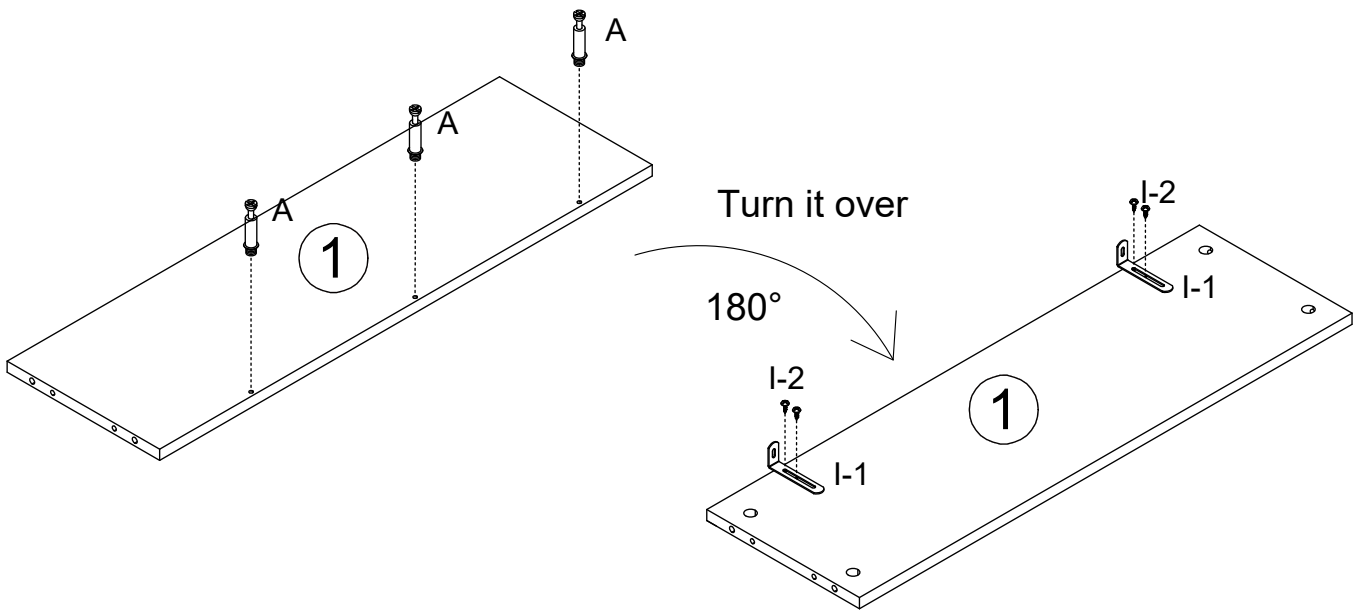




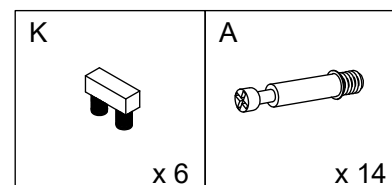
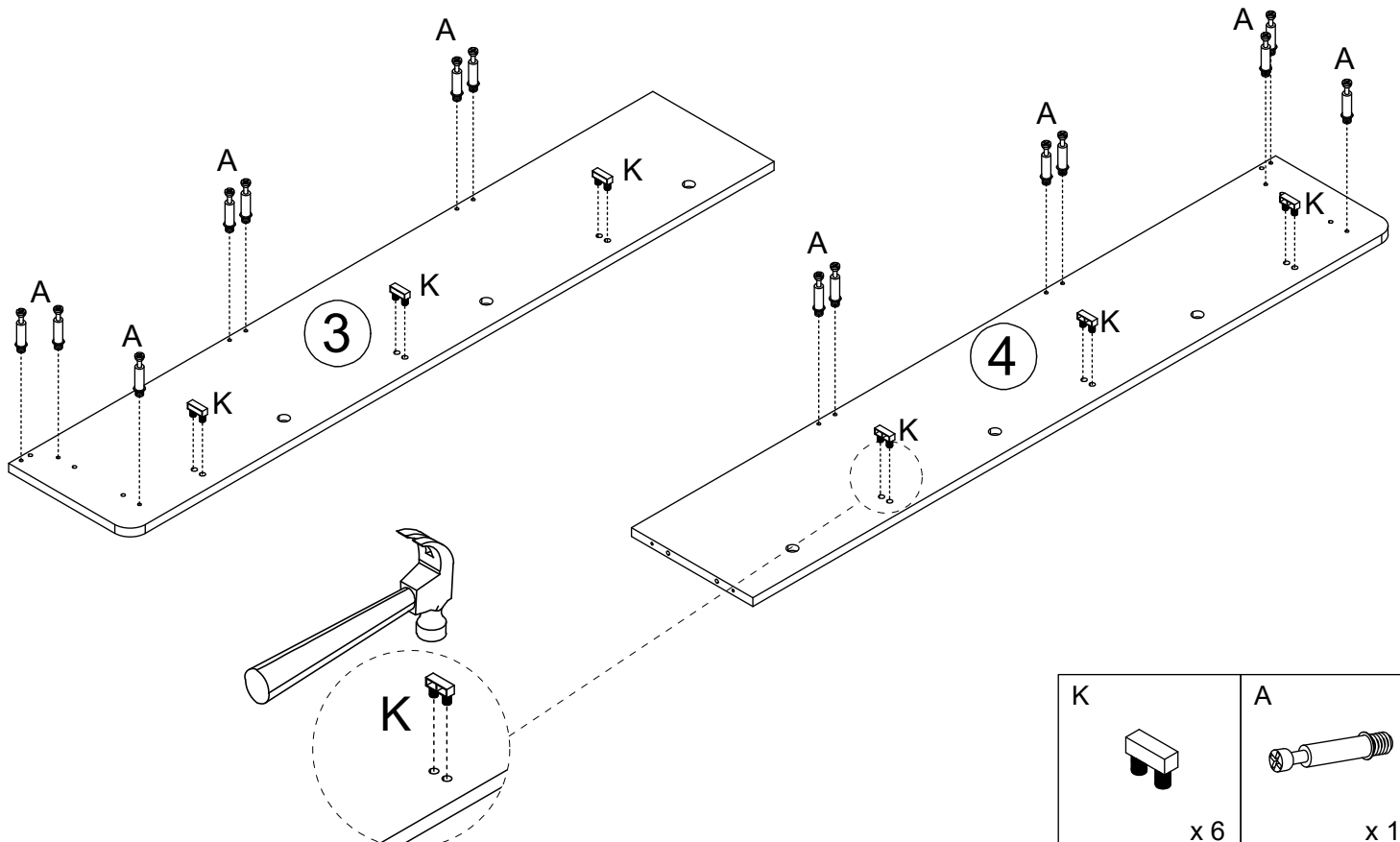
1 768x238x15 x1	2 768x50x15 x1	3 1269x239x15 x1	4 1269x239x15 x1
5 768x80x15 x2	6 795x370mm x1	7 795x370mm x1	8 800x240x15 x1
9 238x120x20 x2	10 758x20x20 x2	11 758x20x20 x1	12 762x392x15 x3
13 x3	14 x3	15 757x136x12 x6	16 757x86x12 x3

A Φ6X35mm x17+1	B Φ15X10mm x17+1	C Φ6X30mm x 10+1	D Φ5X40mm x 4	E Φ4X8mm x 6
F Φ3.5X14mm x 36+6	G Φ6X35mm x 6	H H-1 H-2 Φ4X18mm x 3	I I-1 I-2 Φ4X12mm x 2	J J-1 J-2 Φ4X45mm x 2
K x 6	L x 6	M Φ6X30mm x 10+1	N Φ2X16mm x 20+2	O x 1

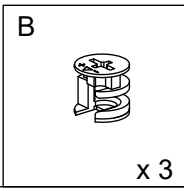
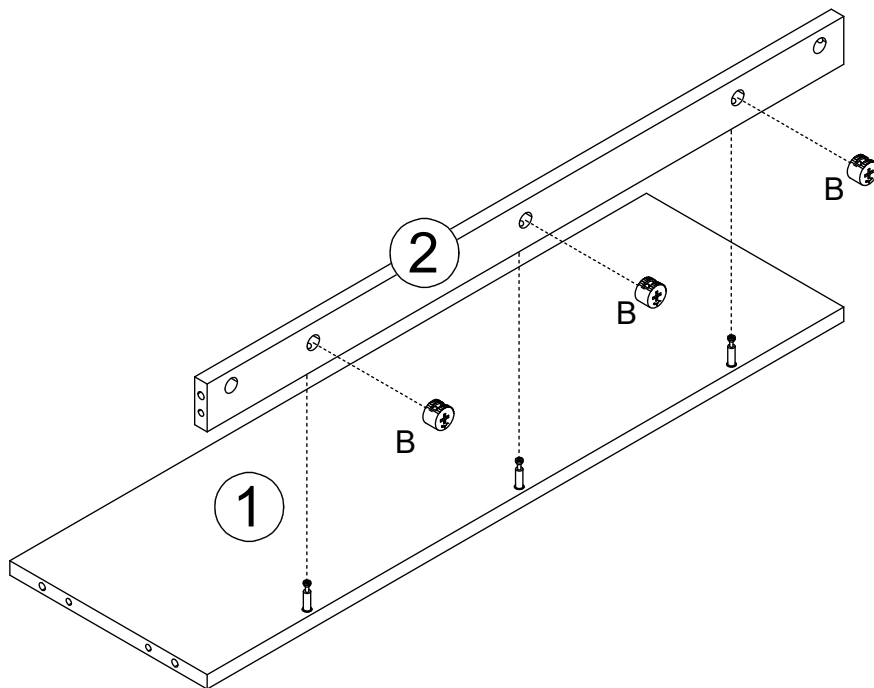
1



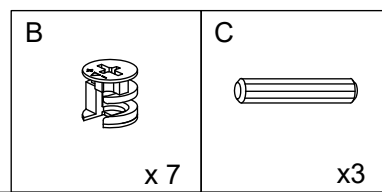
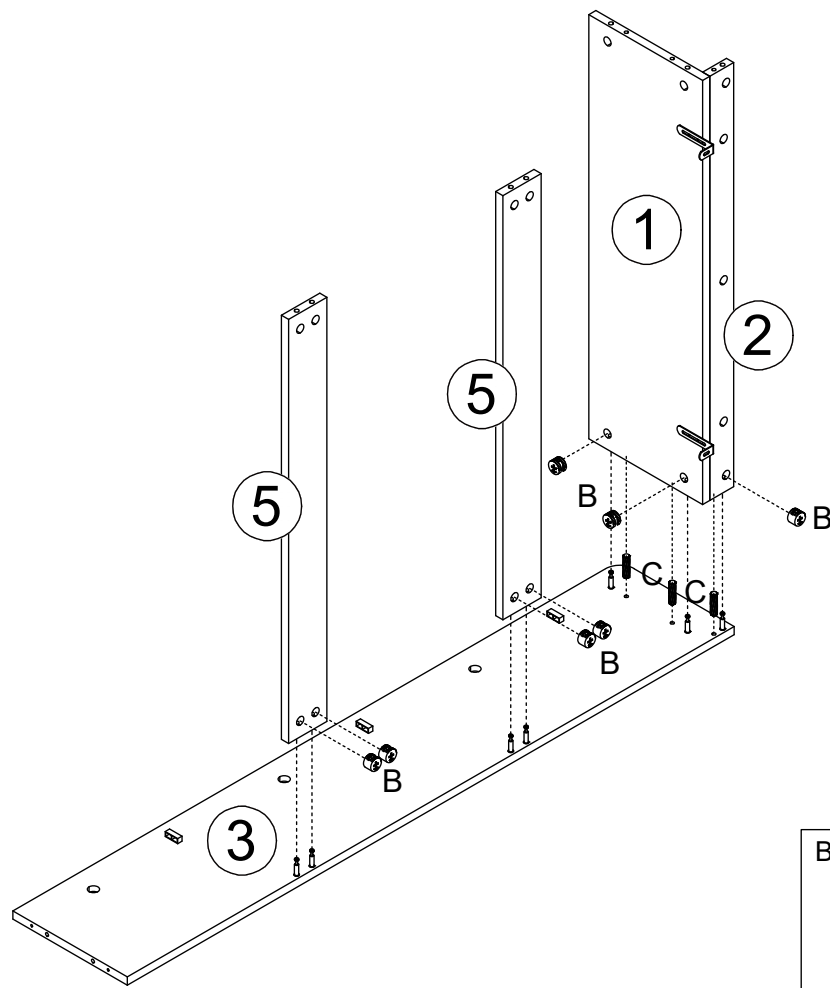
2



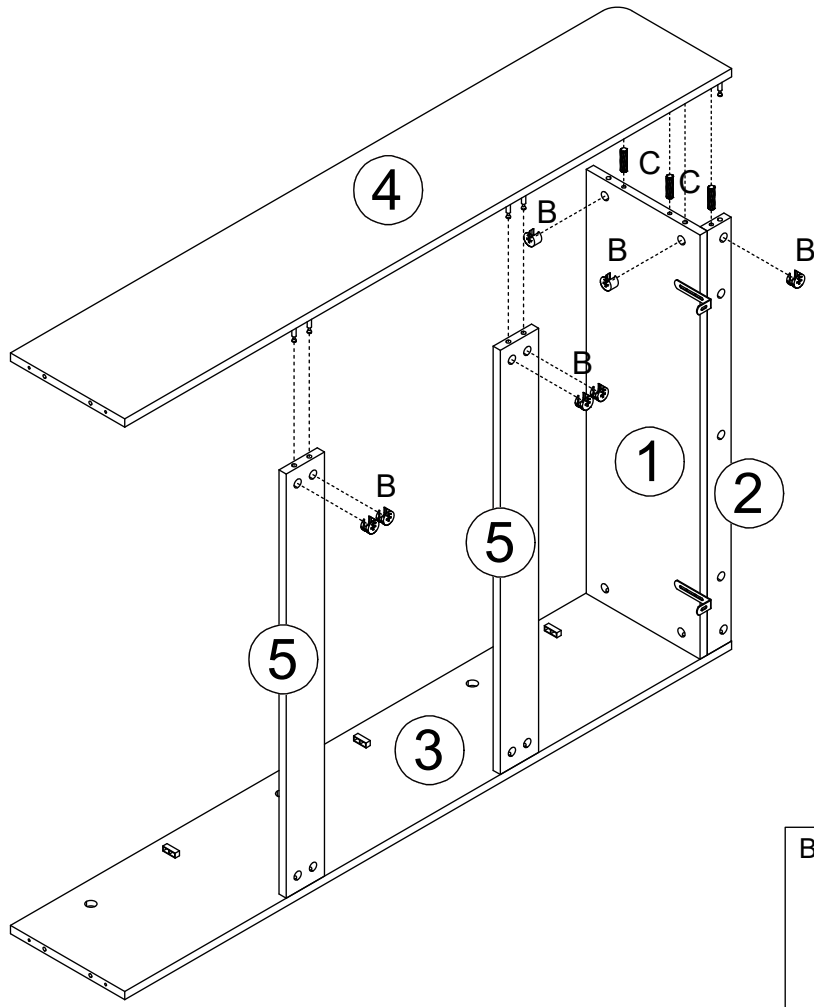
3





4

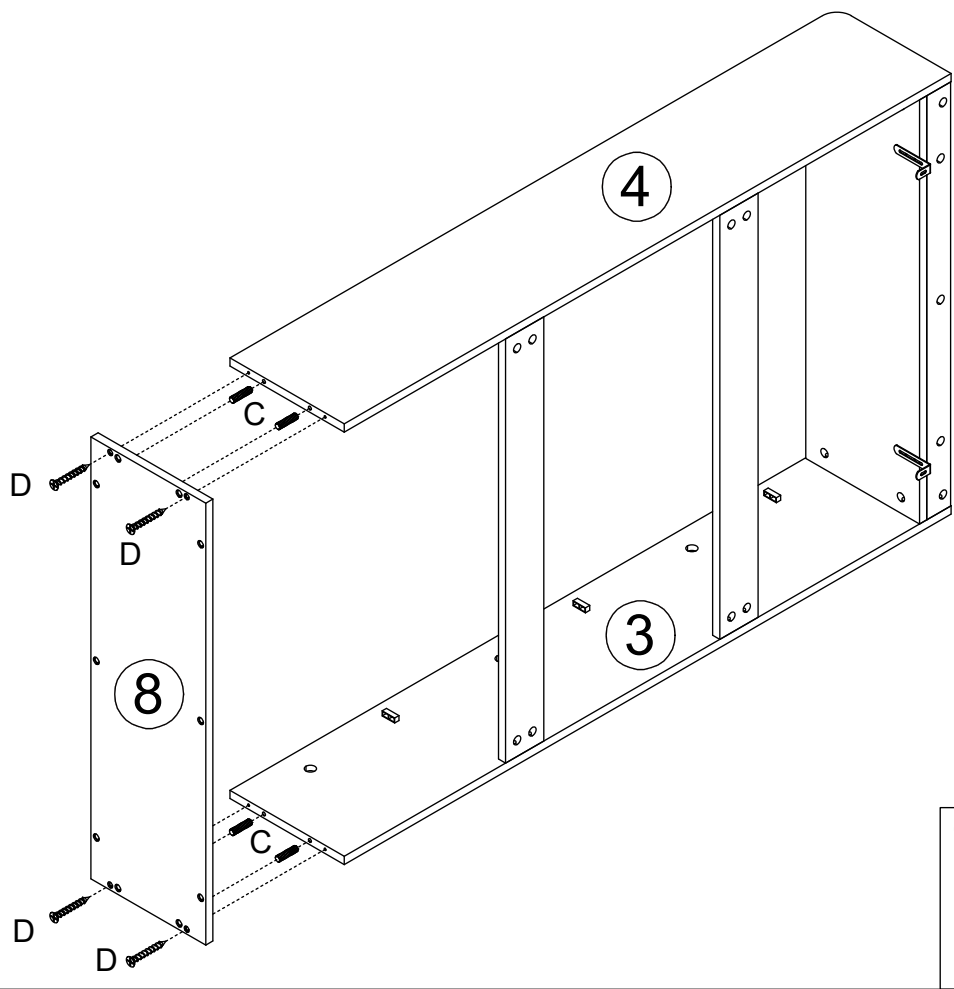


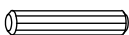

5



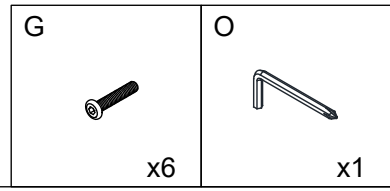
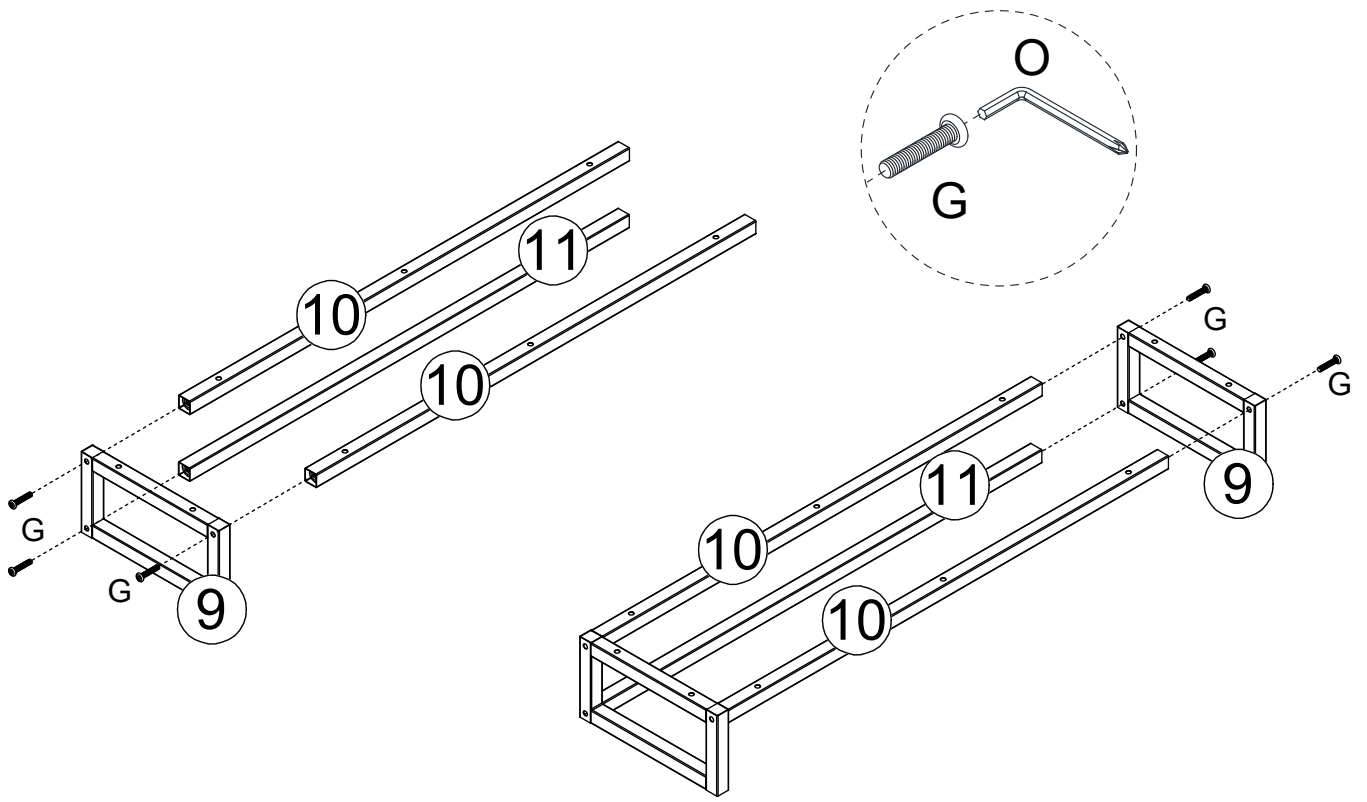
B	C
	
x 7	x 3

6

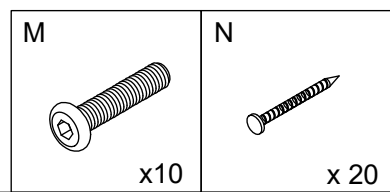
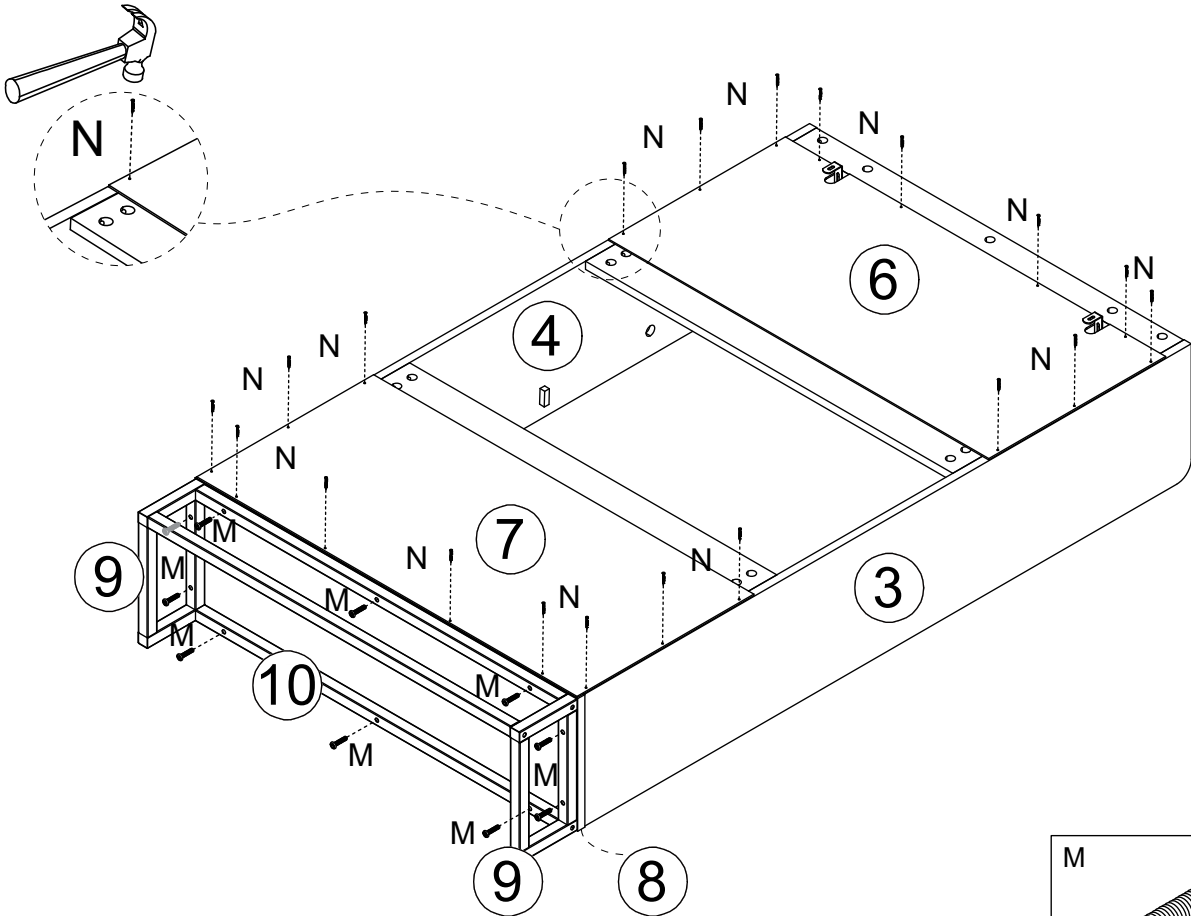


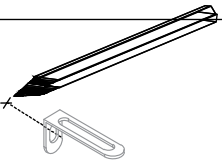
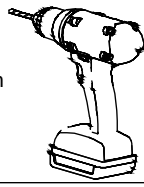
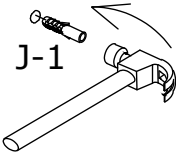
C	D
	
x 4	x 4

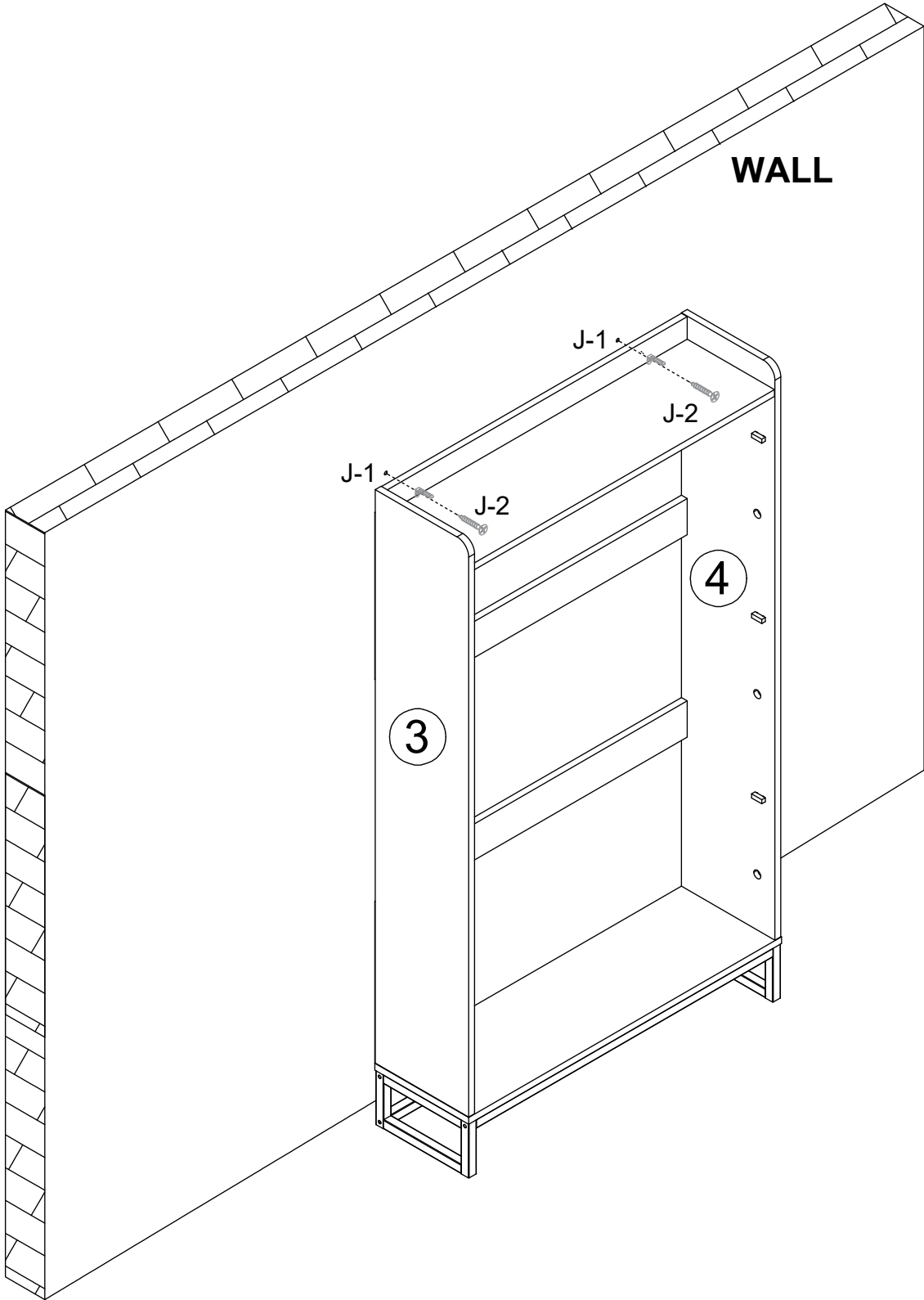
7



8

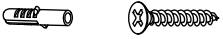


<p>WALL</p>  <p>I-1</p> <p>I x2</p>	<p>WALL</p> <p>+ drilling hole Ø6x30mm</p>  <p>II x2</p>	<p>WALL</p>  <p>J-1</p> <p>III x2</p>
---	---	--



J

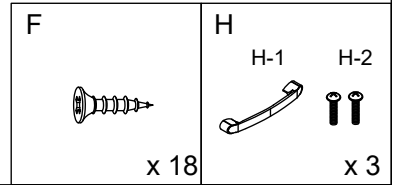
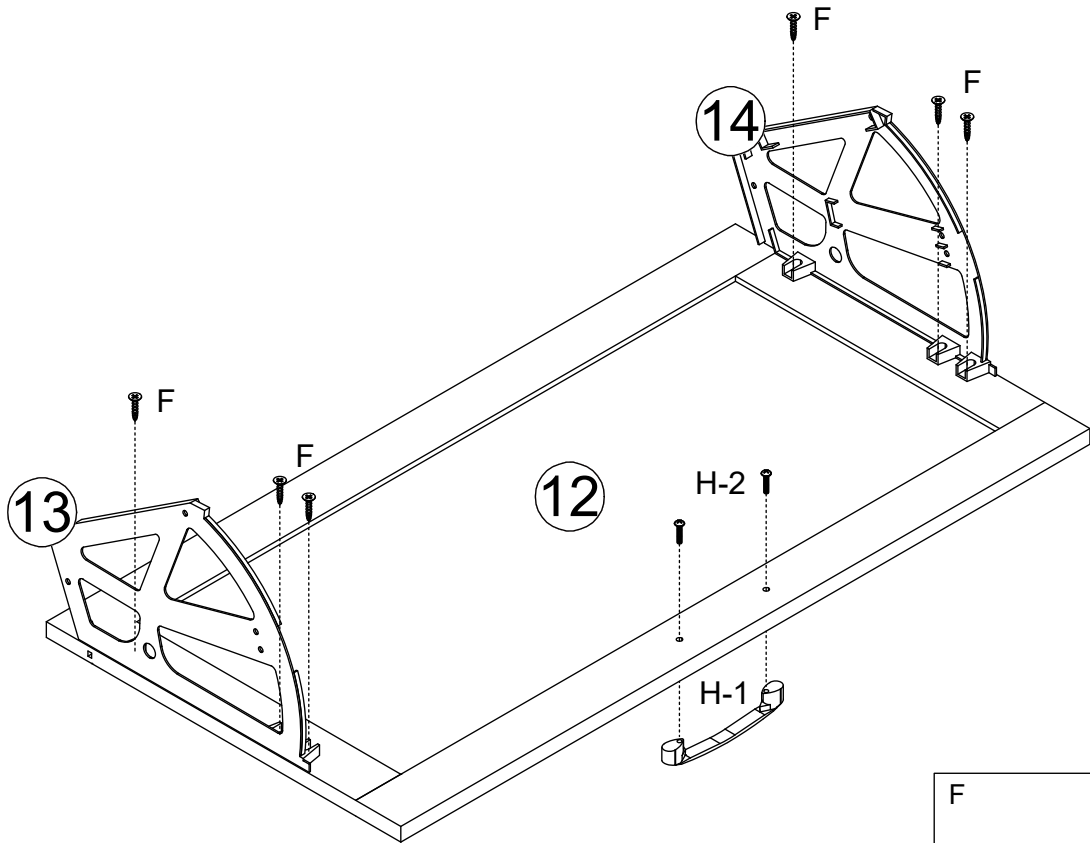
J-1 J-2



x 2

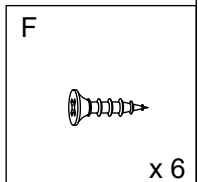
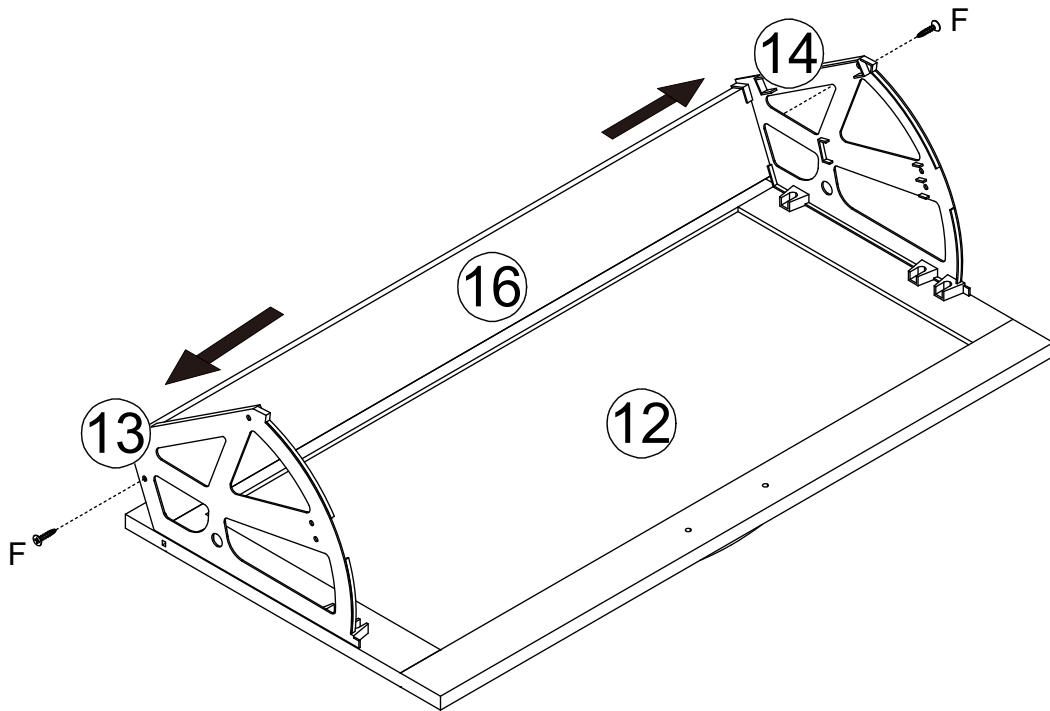
10

x3



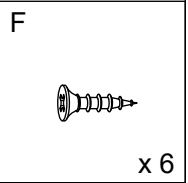
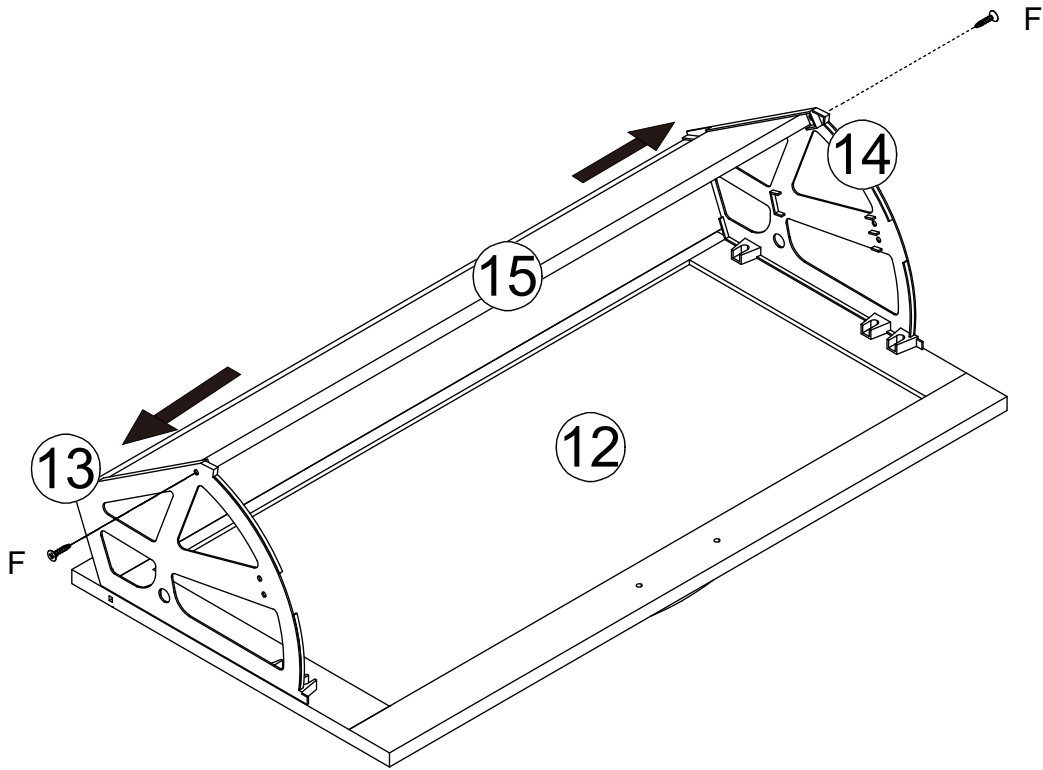
11

x3

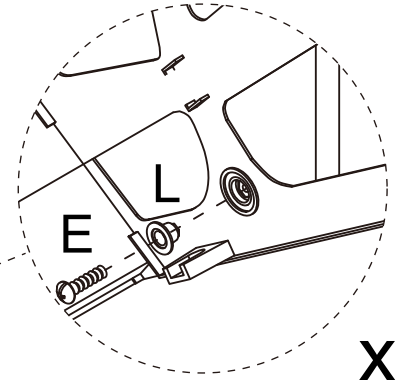
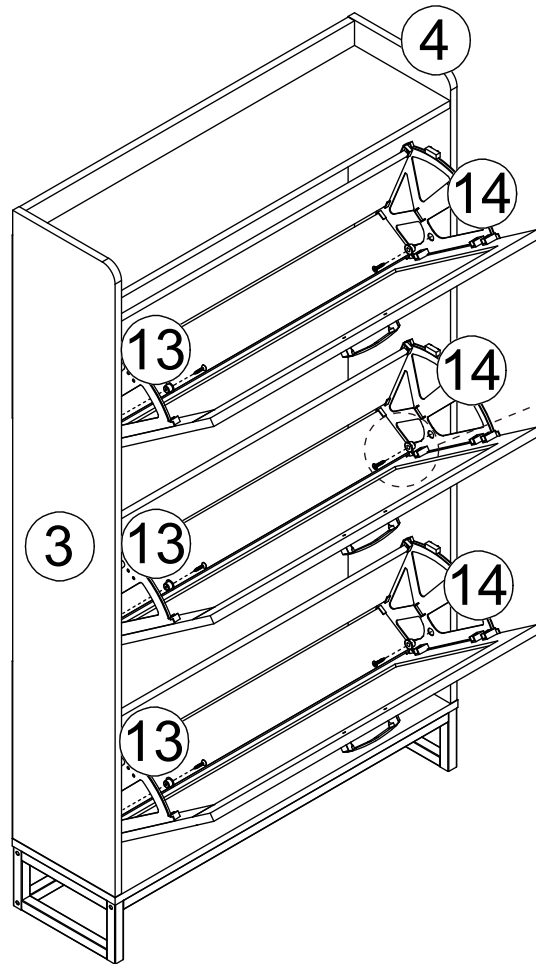


12

x3



13



x6

