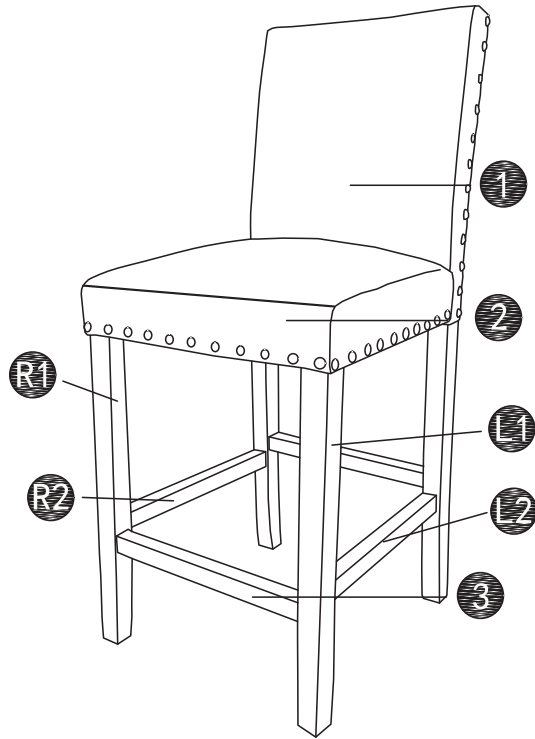






ASSEMBLING INSTRUCTION

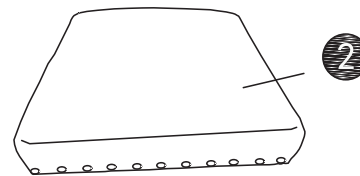
CUSTOMER SERVICE:

if you are missing parts or have any questions about this product, contact our customer service representative first!



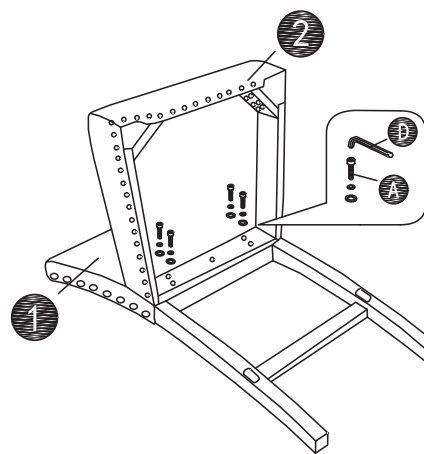
HARDWARE LIST	CODE	PARTS	QTY
	A	M8x60MM 	5
	B	M8x70MM 	4
	C	M4. 5x50MM 	6
	D	ALLEN KEY 	1

1



2

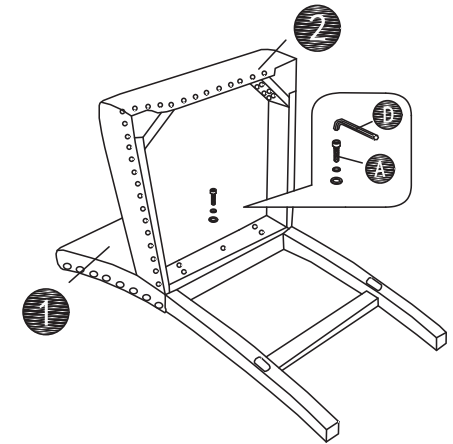
3



1

Put the screws in the holes, tight the screws, but not too tight, 90% is ok.

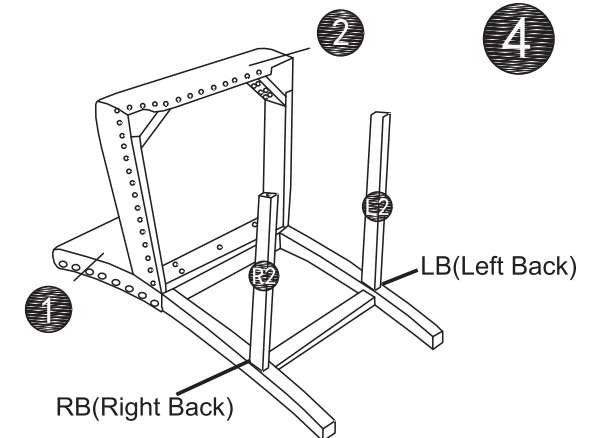
2



1

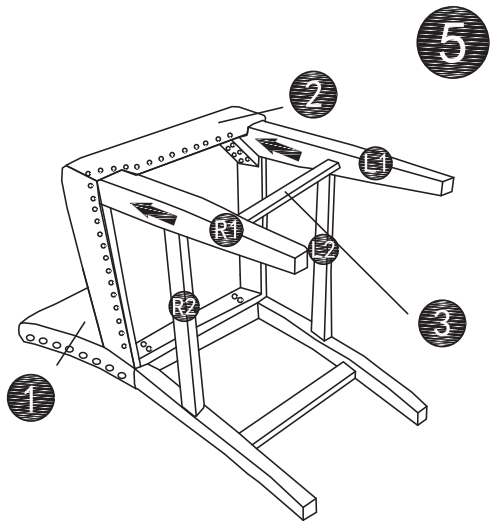
Put the screws in the holes, tight the screws, but not too tight, 90% is ok.

4

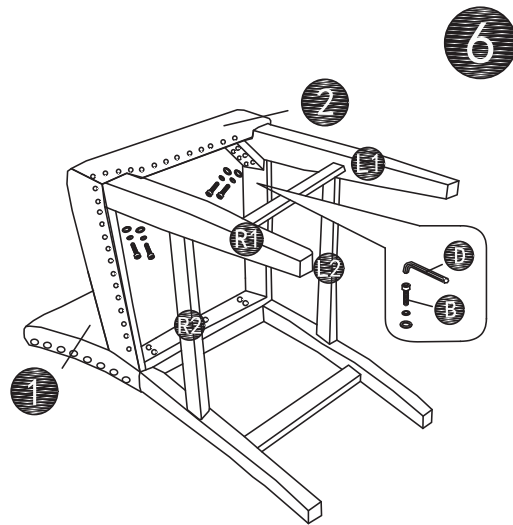


1

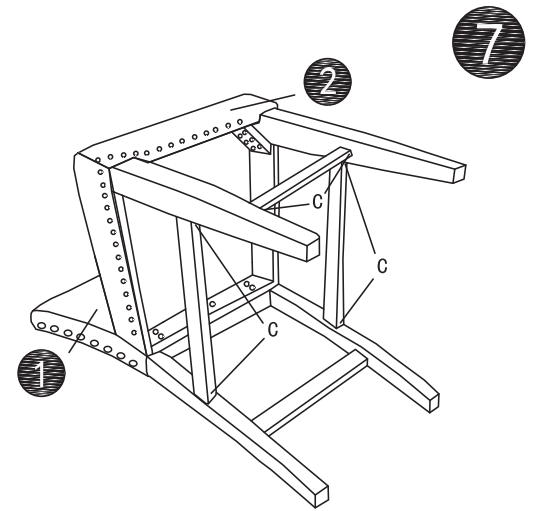
Put the L2 and R2 in the holes.



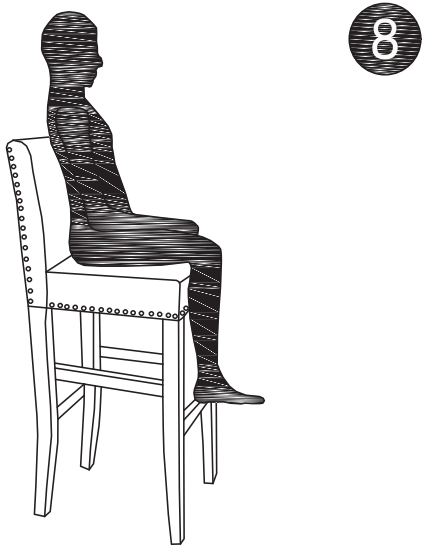
Put L1 and R1 legs in the holes.
Put 3 in the holes.



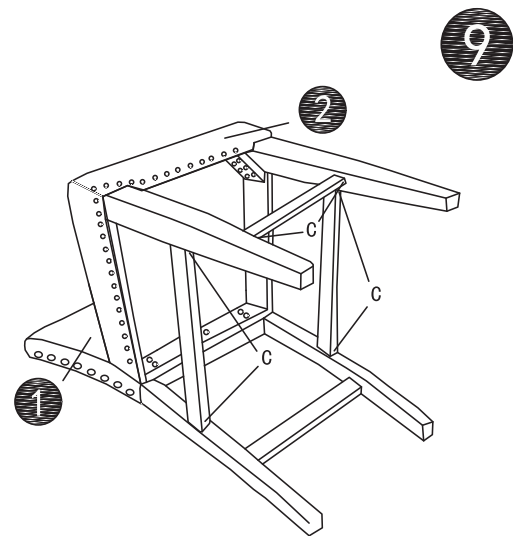
Put the screws in the holes,
tight the screws, but not too
tight, 90% is ok.



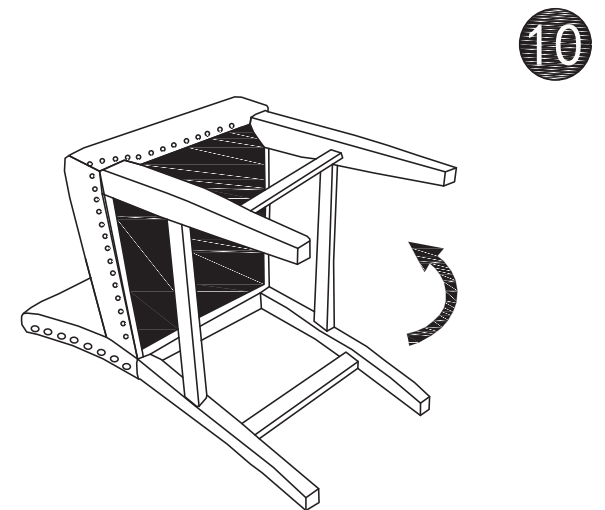
Put the screws in the holes,
tight the screws, but not too
tight, 90% is ok.



Then adjust the balance
of the chair.



Tight all the screws to 100%



Stick the black part
on the seat.