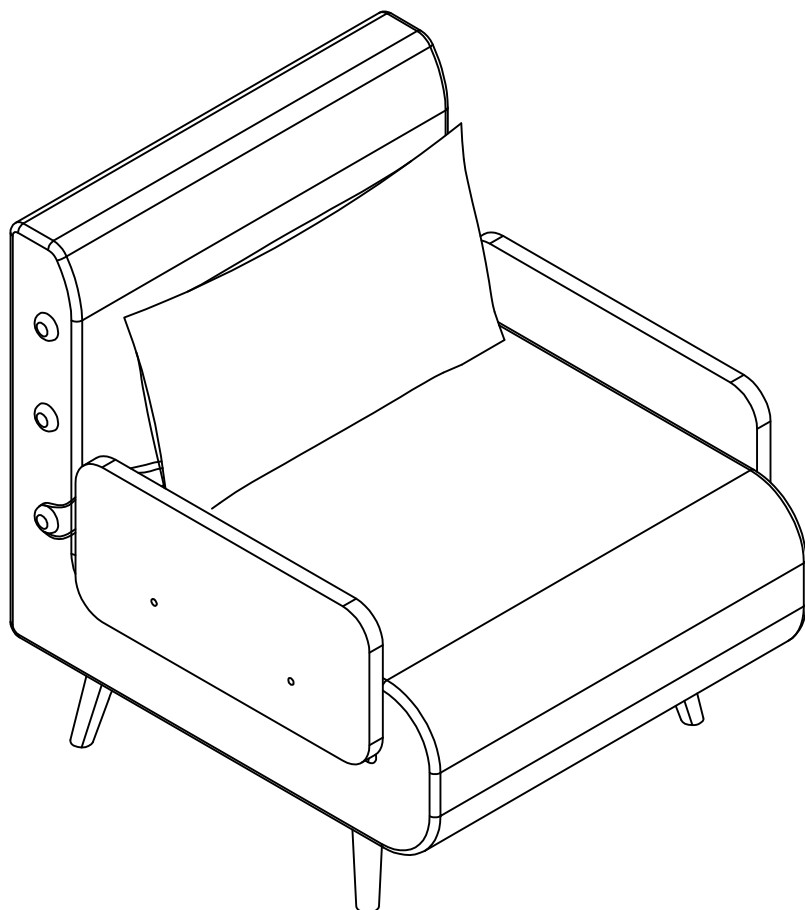


# Assembly Guide

## sofa bed



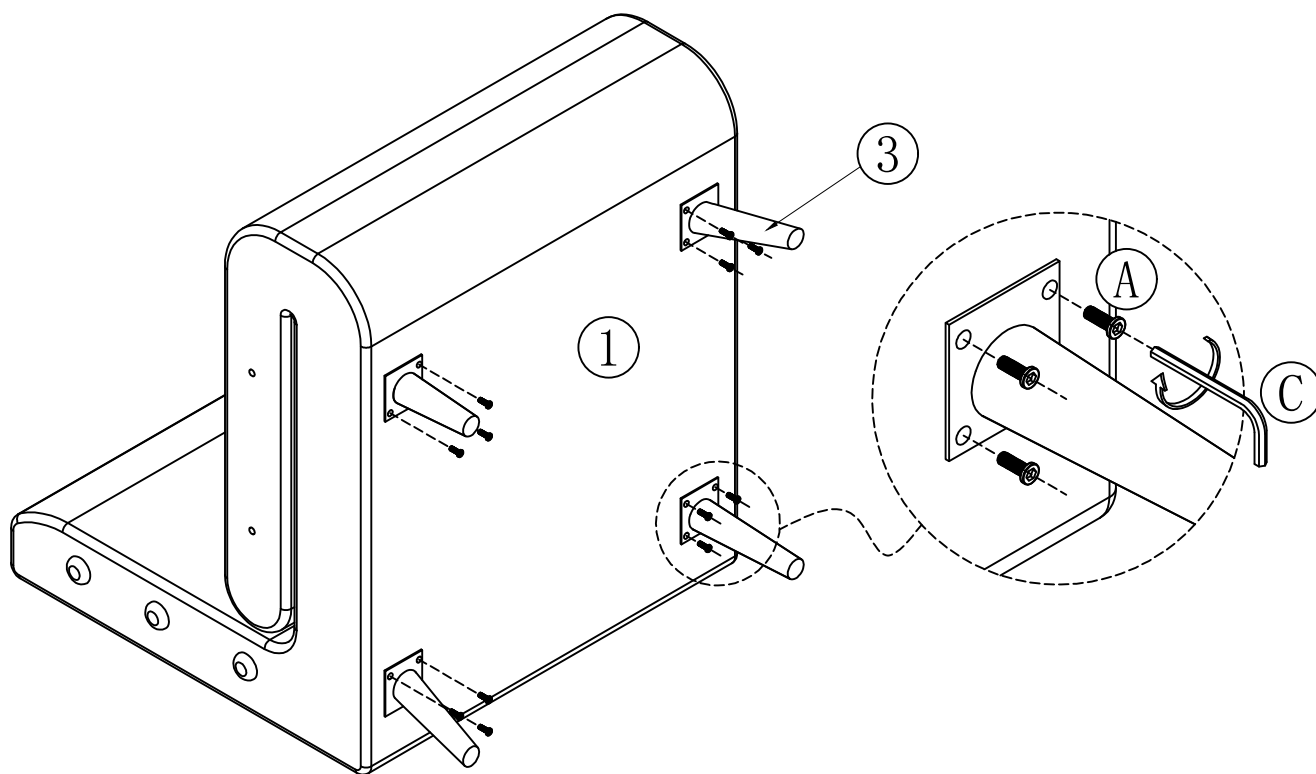
Tips: Do not throw away packing materials until assembly is complete for small parts may come loose inside the carton during shipment. If parts are missing, please contact us. Assemble this item on a soft surface, such as carpet to protect the finish.

### PA

sofa=1	armrest=2	feet=4	pillow=1

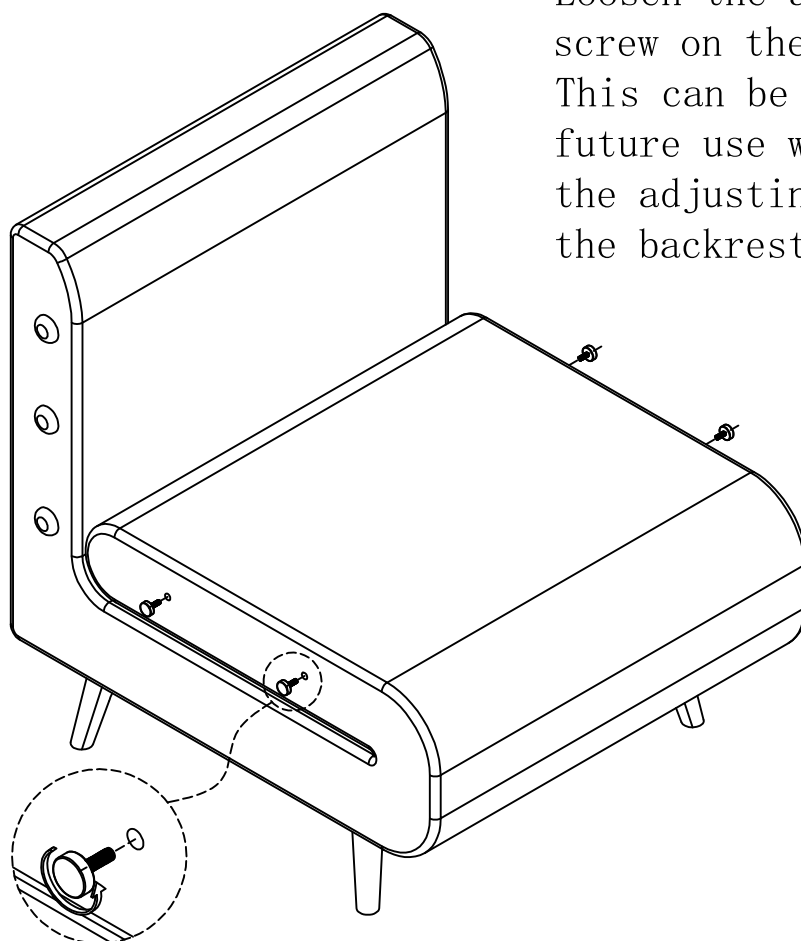
M6*15 hexagon socket screws=12	M8*40 hexagon socket screws=4	hexagon wrench=1	phillips head screw driver required for assemble---not include

## Step 1



Use A=12,C=1 to install the feet on the bottom of the sofa.

## Step 2

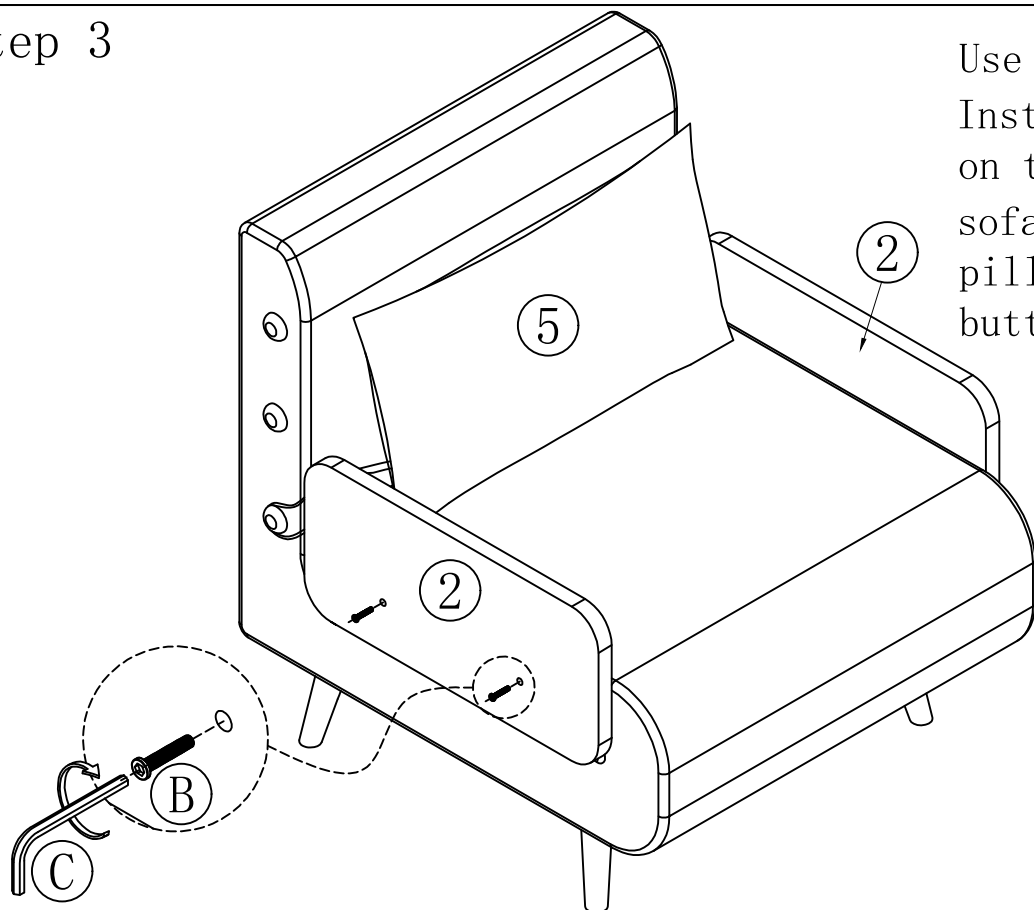


Loosen the adjusting screw on the sofa legs. This can be kept for future use when replacing the adjusting screws of the backrest.

### Step 3

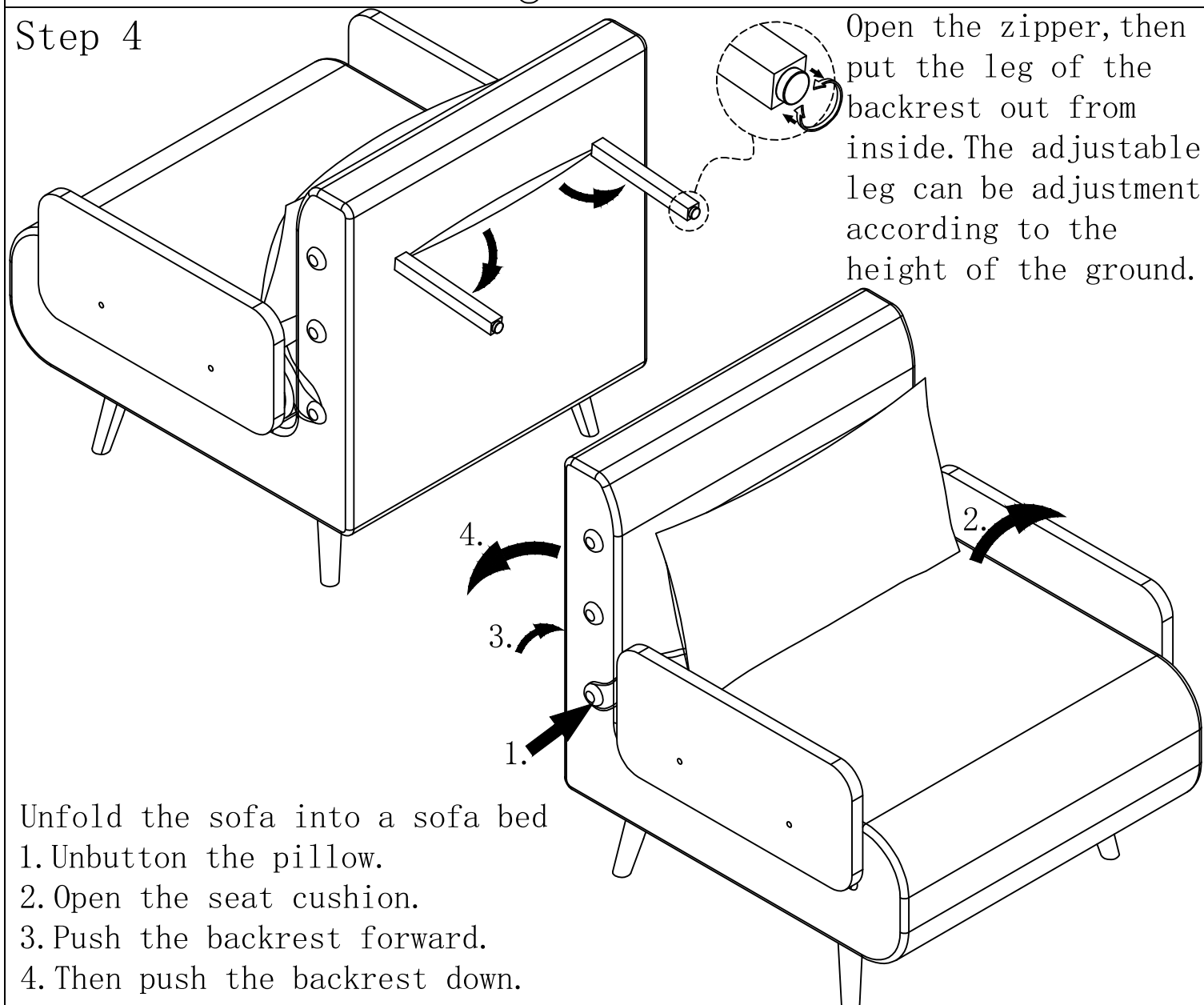
Use B=4, C=1

Install the 2 armrest on the two sides of sofa. Place 5 the pillow, and lock the button of the backrest.



### Step 4

Open the zipper, then put the leg of the backrest out from inside. The adjustable leg can be adjustment according to the height of the ground.



- Unfold the sofa into a sofa bed
1. Unbutton the pillow.
  2. Open the seat cushion.
  3. Push the backrest forward.
  4. Then push the backrest down.