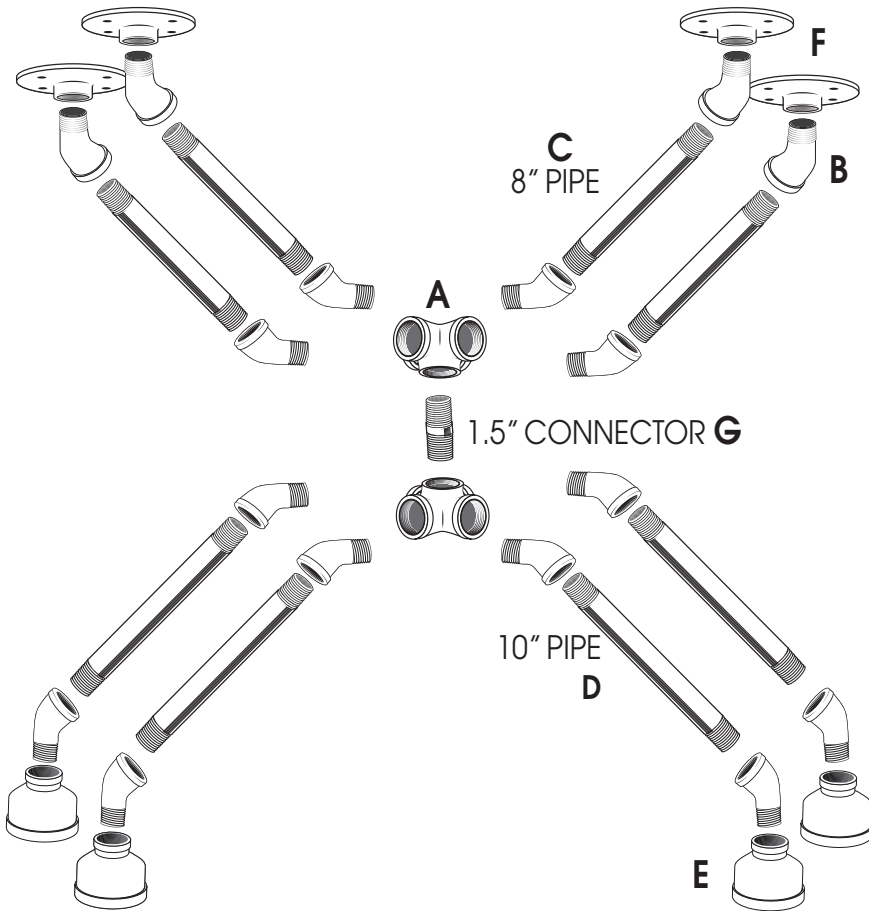


THANK YOU SO MUCH FOR PURCHASING OUR PRODUCT. IF YOU HAVE ANY TROUBLE PUTTING YOUR KIT TOGETHER OR MISSING PIECES PLEASE CONTACT US FOR ANY HELP AND RETURNS.



FOLLOW DIRECTIONS IN ORDER. LEGS WILL BE MORE DIFFICULT TO BUILD IF NOT DONE IN THE CORRECT ORDER

This is industrial grade authentic pipe. It comes covered in anti-rust oil. They are dirty to the touch but can be cleaned and sealed to prevent rust and be clean to the touch. See Clean and Seal sheet for ways to clean and seal the pipe.

1. Connect Street elbows (B) to the ends of each 8" pipe (C) and 10" pipe(D).
2. Connect the feet (E) to the 10" bottom section.
ONLY USE THREAD LOCKER FOR STEP 2 BETWEEN THE ELBOWS AND THE 5-WAY
3. Connect the 10" sections to the 5-way (A) using threadlocker. Tighten as much as you can by hand. Then un-tighten until they are pointing down and level with each other. Wait 1 hour for the threadlocker to set. The legs will now be sturdy and in the correct position.
4. Connect the flanges (F) to the 8" upper section.
5. **DO NOT USE THREAD LOCKER ON THIS SECTION.** Connect the 8" pipe sections to the 5-way(A). Tighten as much as you can. Then un-tighten until they are in pointing up. It is okay if they are loose. They will be connected to the table top and be secure.
6. Connect both sections with the 1.5" (G) Connector.
7. Screw the flanged side to a table while flipped upside down.

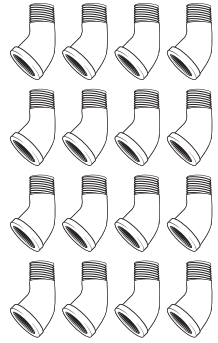
Feet may scratch a hardwood floor and pads are recommended.

Parts List:

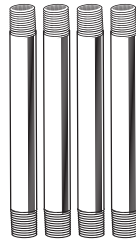
A - 2 X FIVE WAY



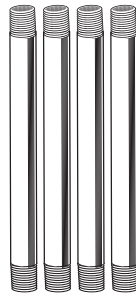
B - 16 X STREET ELBOWS



C - 4 X 8" PIPE



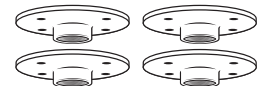
D - 4 X 10" PIPE



E - 4 X FEET



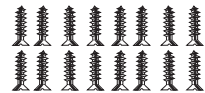
F - 4 X FLANGES (3" OD)



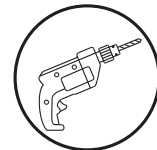
G - 1 X 1.5" CONNECTOR



H - SCREWS (16 PCS)



RECOMMENDED TOOLS



RECOMMENDED
DRILL WITH 1/4" BIT
FOR WALL ANCHOR

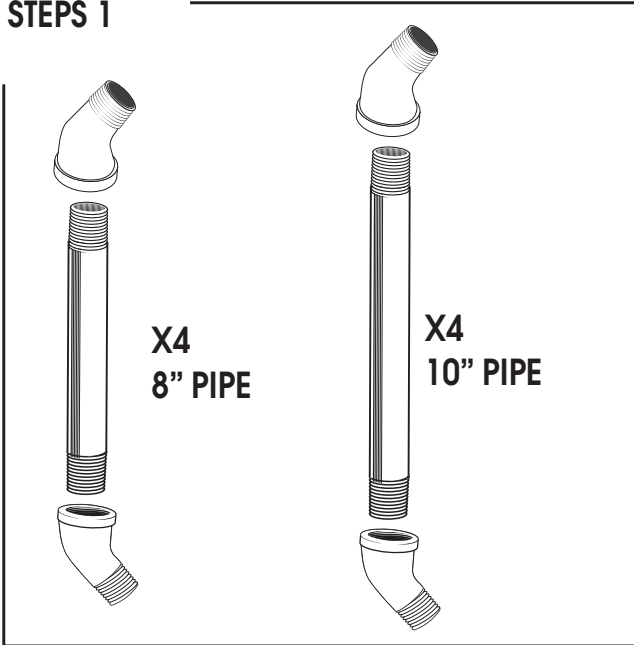
PREPPING THE PIPE

VERY IMPORTANT: These are all authentic malleable iron and require necessary cleaning and prepping; do not skip this step.

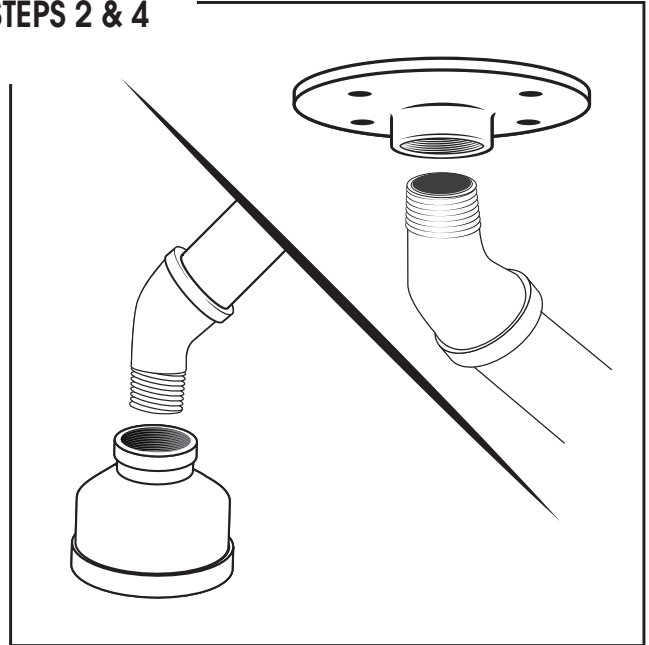
1. Clean and dry all the parts with gentle soap.
2. Use a lint-free rag to apply metal polish to the parts.
3. Use metal polish or clear coat paint to seal the dry pipe.

THANK YOU SO MUCH FOR PURCHASING OUR PRODUCT. IF YOU HAVE ANY TROUBLE PUTTING YOUR KIT TOGETHER OR MISSING PIECES PLEASE CONTACT US FOR ANY HELP AND RETURNS.

STEPS 1

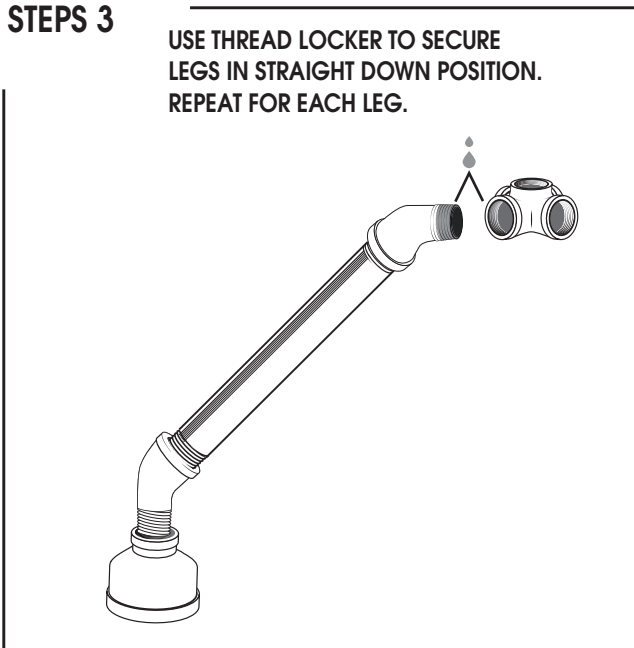


STEPS 2 & 4



STEPS 3

USE THREAD LOCKER TO SECURE LEGS IN STRAIGHT DOWN POSITION. REPEAT FOR EACH LEG.



STEPS 3

