

PRACTICALUSER 'S GUIDE
FOR THE XINNUO ELECTRIC FIREPLACE

QUICK REFERENCE GUIDE

- I. Prior to installation, please ensure
1. The rated voltage of your firebox fits the output voltage of your outlet,
 2. The light bulbs in your firebox is in good condition. For checking this, please follow the instructions for replacing the light bulbs on section MAINTENANCE.
- II. The heater on your fireplace may emit a slight, harmless odor when first used. This odor is a normal condition caused by the initial heating of internal heater parts and will not occur again.
- III. If your heater does not emit heat, please ensure the Heater Switch is on. For further information, please consult section Operation of the Practical User' s Guide.

Marks

NOTE

Procedures and techniques, that are considered important enough to emphasize.

CAUTION

Procedures, which if not carefully followed, will result in damage to the equipment.

WARNING

Procedures, which if not carefully followed, will expose the user to the risk of serious injury, illness or death.

IMPORTANT INSTRUCTIONS

WARNING

You should read and always follow the important instructions below to reduce the risk of fire, electric shock, and injury to persons.

1. Read all instructions before using this fireplace.
2. This fireplace is hot when in use. To avoid burns, do not let bare skin touch hot surfaces, such as surfaces near the heater outlet or light bulbs. The grill directly in front of the heater outlet becomes hot during heater operation. Keep combustible materials, such as clothes, pillows, furniture, bedding, papers and curtains at least 3 feet from the front of the unit. Do not cover or block heater outlet or any ventilation or exhaust opening at any time. Do not use on soft surfaces where openings may become blocked.
3. Extreme caution is necessary when any heater is used by or near children or invalids and whenever the heater is left operating and unattended.
4. Do not install the fireplace directly on carpet or a similar surface, which may restrict air circulation beneath the unit.
5. Always unplug fireplace when not in use
6. To disconnect fireplace, turn controls to off, then remove plug from outlet.
7. Do not use outdoors.

8. This fireplace is not intended for use in wet locations, such as bathrooms, laundry areas and similar indoor locations. Never locate fireplace where it may fall into water container.
9. Do not operate the fireplace with a damaged cord or plug, or if the fireplace has malfunctioned, or if the fireplace has been dropped or damaged in any manner. Return fireplace to authorized service for examination, adjustment or repair.
10. Do not run cord under carpeting. Do not cover cord with throw rugs, runners, or the like. Arrange cord away from traffic area and where it will not be tripped over
11. Do not insert or allow foreign objects to enter any ventilation or exhaust opening as this may cause an electric shock or fire, or damage the firebox
12. To prevent a possible fire, do not block air intakes or exhaust in any manner. Do not use on soft surfaces, like a bed, where openings may become blocked
13. All electrical heaters have hot and arcing or sparking parts inside. Do not use it in areas where gasoline, paint, or flammable liquids are used or stored or where the unit will be exposed to flammable vapours
14. Do not modify this fireplace. Use it only as described in this manual. Any other use not recommended by the manufacturer may cause fire, electric shock or injury to persons.

15. Avoid the use of an extension cord because the extension cord may overheat and cause a risk of fire. However, if you have to use an extension cord, the cord shall be No. 16 AWG minimum size and rated not less than 2500 watts.
16. Do not burn wood or other materials in this fireplace
17. Do not strike fireplace glass
18. Always use a certified electrician should new circuits or outlets be required.
19. Always use properly grounded, fused and polarized outlets.
20. Always use ground fault protection where required by electrical code.
21. Always disconnect power before performing any cleaning, maintenance or relocation of the fireplace.
22. When transporting or storing the fireplace and cord, keep in a dry place, free from excessive vibration and store so as to avoid damage
23. The heater must not be located immediately below a socket-out.
24. WARNING: In order to avoid overheating do not cover the heater.
25. This appliance is not intended for use by persons (including children) with reduced physical, sensory or mental capabilities, or lack of experience and knowledge, unless they have been given supervision or instruction concerning use of the appliance by a person responsible for their safety.

26. Children should be supervised to ensure that they do not play with the appliance.
27. indoor and household use

INSTALLATION

This section provides step-by-step instructions for installation of your fireplace.

WARNING

The outlet must be 16A/230V.

CAUTION

Do not remove the four rubber feet at the bottom of the fireplace insert or install the fireplace insert directly on soft surfaces, which may restrict air circulation. Otherwise, it may cause a risk of fire or damage.

1. Select a suitable location, which is not susceptible to moisture, safe, dust free, away from high traffic and away from things that may catch fire or block openings such as drapes, furniture, etc.

NOTE

It is a good idea to place your fireplace near an existing outlet, for ease of electrical hook up.

2. Place the fireplace in the desired location to see how it will look in the room.
3. Place the mantel in the desired location or build a wall construction in the desired location.

CAUTION

Store your fireplace insert in a dry, safe and dustless place when placing the mantel or building the wall construction.

4. If there is no 16A/230V outlet near the desired location, install a new one near or behind mantel.

WARNING

Do not attempt to wire your own new outlets or circuits. To reduce the risk of fire, electric shock or injury to persons, always use a licensed electrician.

5. Make sure the fireplace insert is switched off (refer to operation instruction section).
6. Plug the fireplace into a 16A/230V outlet. Wire the cord along the corner of wall.
7. Push the fireplace insert into place so that the panel and the finished mantel surround or wall surface are in the same plane.

OPERATION

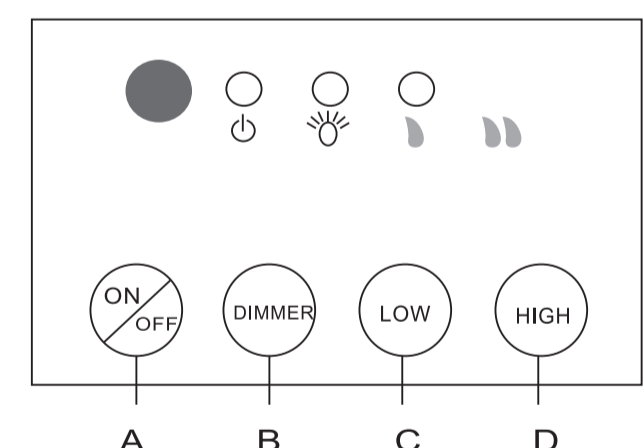
This section will explain the function of each convenient control.

NOTE

The heater may emit a slight, harmless odor when first used. This odor is a normal condition caused by initial heating of internal heater parts and will not occur again.

Control Panel Operation

1. To access the controls, open the upper grill by pulling the golden ring near the top of the grill, forward and down.
2. To locate controls refer to the figure below:



A-HEATER ON/OFF SWITCH

The heater on/off switch supplies power to the heating unit. When the heater on/off switch is on, the heater emits hot air.

B-FLAME BRIGHTNESS CONTROL

The flame brightness control knob is used to increase or decrease the brightness of the flame and embers.

C-HEATER POWER SWITCH

The heater power switch decides power of heater when the heater on/off switch is on. When the heater power switch is set Low, the heater power is 750 watts.

D-HEATER POWER SWITCH

When the heater power switch is set HIGH, the heater power is 2000 watts and the hot air is hotter.

3. To conceal the controls during operation, return the grill to its original upright position.

MAINTENANCE

WARNING

Disconnect power before attempting any maintenance or cleaning to reduce the risk of fire, electric shock to persons or damage.

Light Bulb replacement

Light bulbs need to be replaced when you notice a dark section of the flame or when the clarity and detail of the log exterior disappears. There are two bulbs under the log set.

WARNING

Allow at least 5 minutes for light bulbs to cool off before touching bulbs to avoid burning of skin.

I. Bulb Requirements

Quantity of 2 clear chandelier or candelabra bulbs with an E-14 small socket base, rating voltage 230 volts, rating power 40 watts.

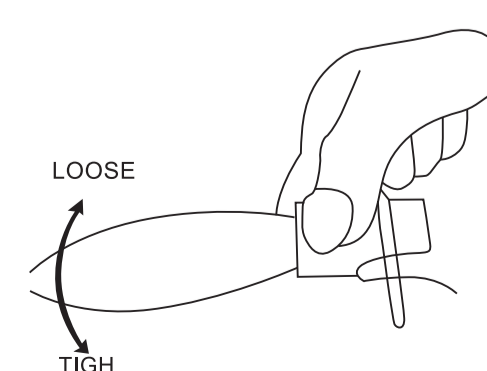
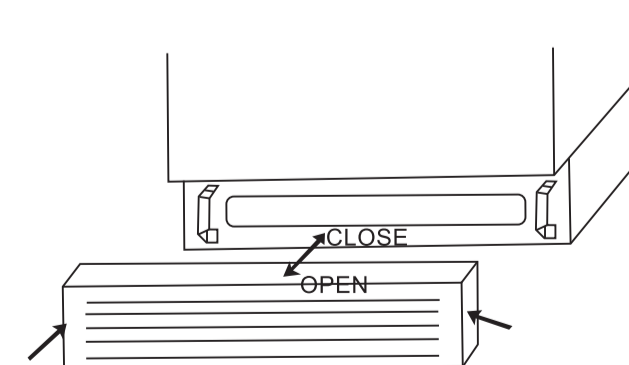
CAUTION

Do not exceed 40 watts per bulb

II. Operation

1. Open the light bulb area:
Hold left and right side of the cover of light bulbs at the bottom of your firebox and pull straight out. You can see two bulbs in the firebox. (Right figure)
2. Examine the bulbs to determine which bulbs require replacement.

3. Remove old bulb and replace a new one. Hold the socket while unscrewing or screwing bulbs. (Right figure)
4. Replace the cover of light bulbs.
5. Done



Correct Disposal of This Product

This marking indicates that this product should not be disposed with other household wastes throughout the EU. To prevent possible harm to the environment or human health from uncontrolled waste disposal, recycle it responsibly to promote the sustainable reuse of material resources. To return your used device, please use the return and collection systems or contact the retailer where the product was purchased. They can take this product for environmental safe recycling.

