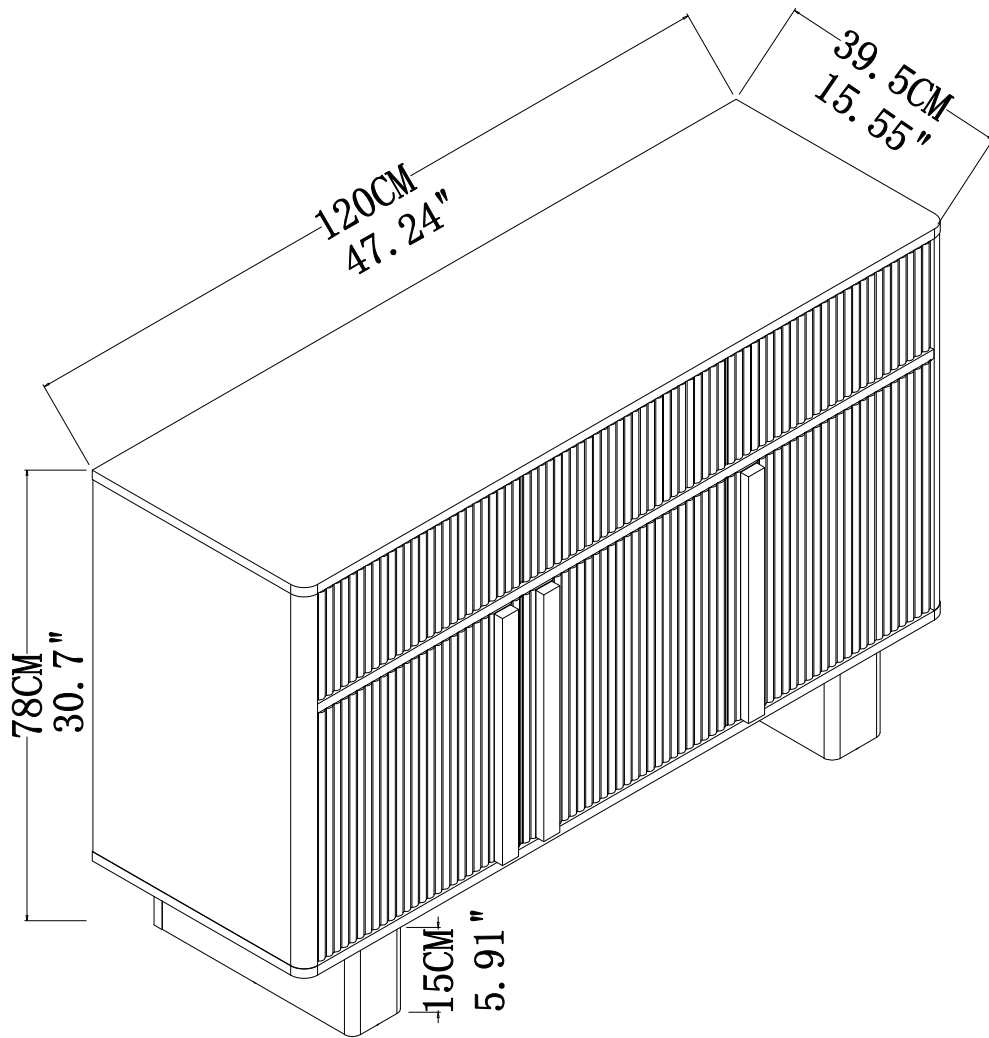
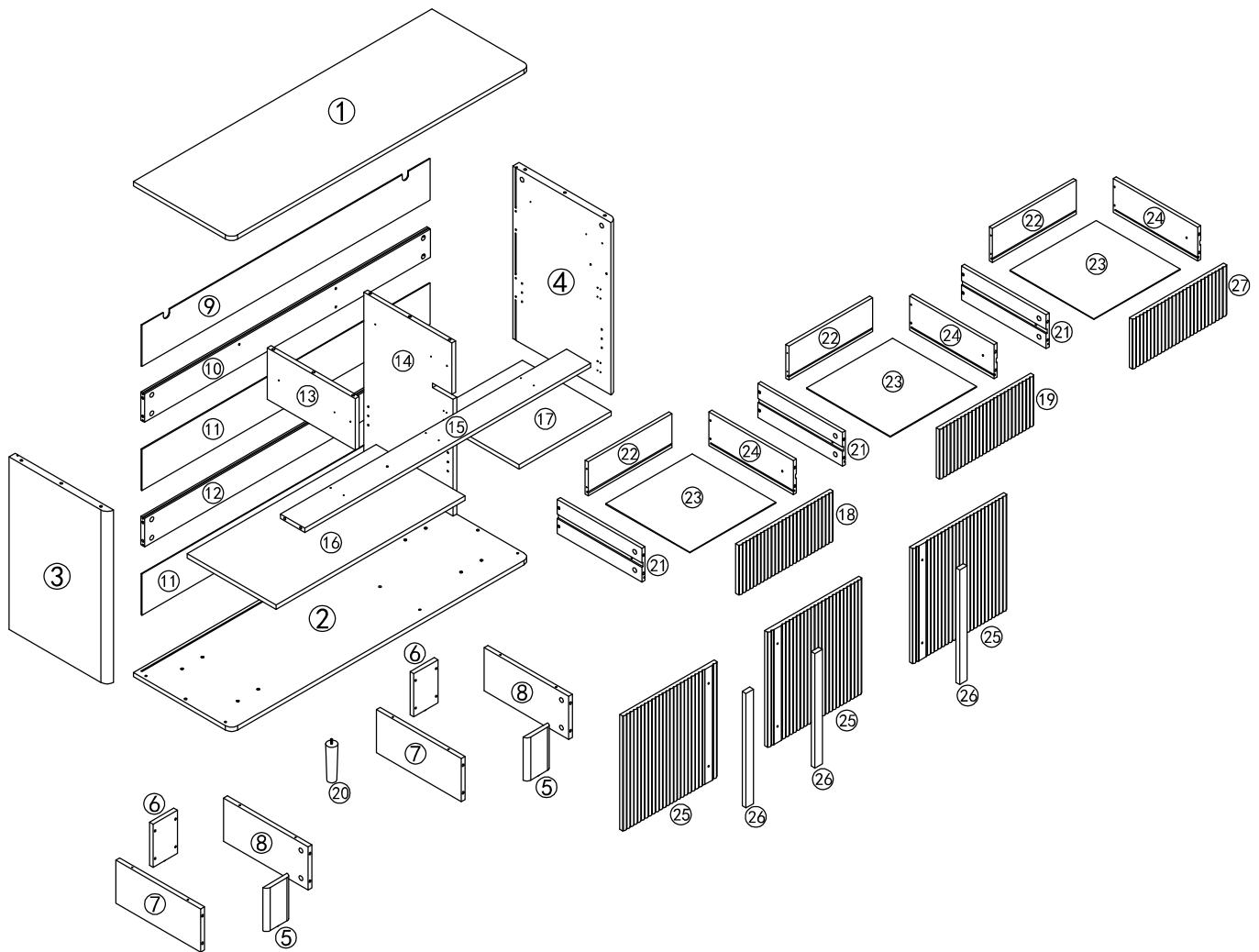


Assembly Instruction of (Cabinet)

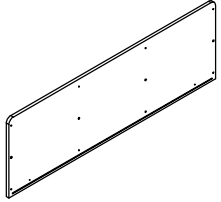
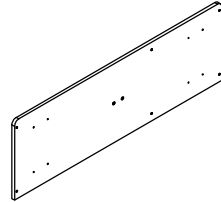

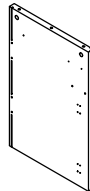
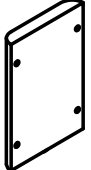
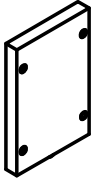
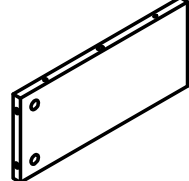
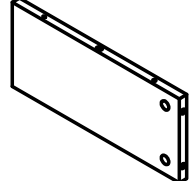
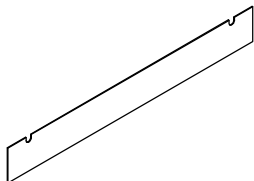
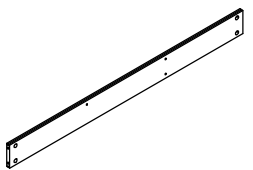
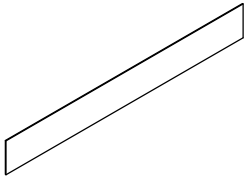
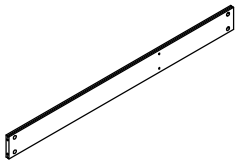
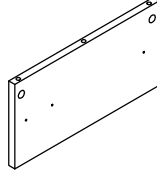
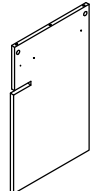
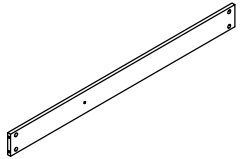
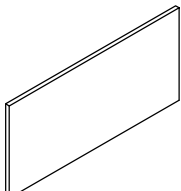
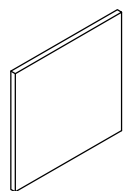
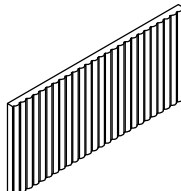
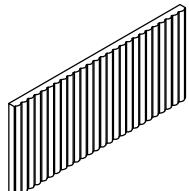

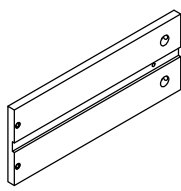
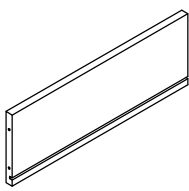
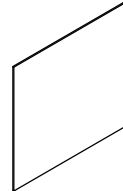
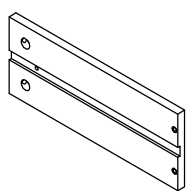
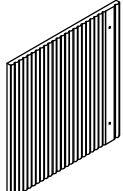
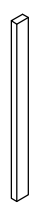
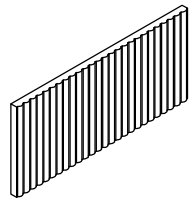




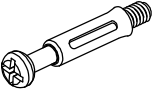
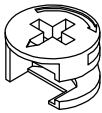


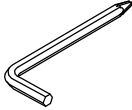

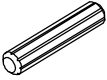
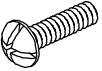
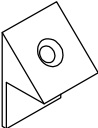
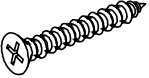
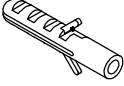
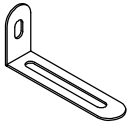

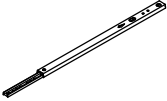
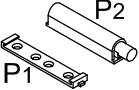
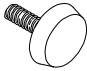
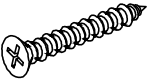
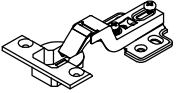
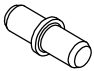
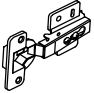

⚠ Caution

Please ensure all parts are included. Most board components are labeled or stamped on the raw edges. If you find any damaged or missing parts, feel free to contact us for a free replacement.

Parts List

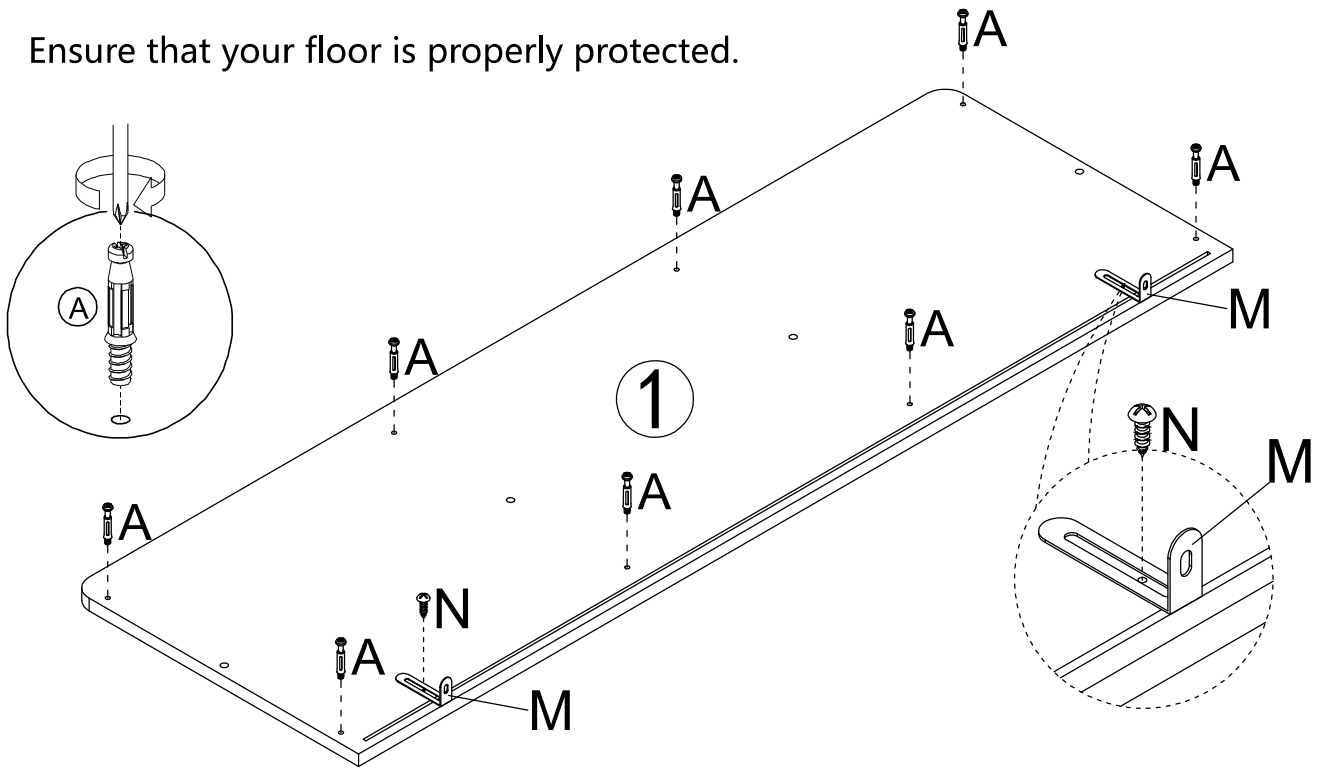
				
① 1PC	② 1PC	③ 1PC	④ 1PC	⑤ 2PCS
				
⑥ 2PCS	⑦ 2PCS	⑧ 2PCS	⑨ 1PC	⑩ 1PC
				
⑪ 2PCS	⑫ 1PC	⑬ 1PC	⑭ 1PC	⑮ 1PC
				
⑯ 1PC	⑰ 1PC	⑱ 1PC	⑲ 1PC	⑳ 1PC
				
㉑ 3PCS	㉒ 3PCS	㉓ 3PCS	㉔ 3PCS	㉕ 3PCS
				
㉖ 3PCS	㉗ 1PC			




Hardware List

A	B	C	D	E	F
		 Silver color M3.5x14mm	 Black color M3x16mm		
M6x35mm				4mm	M5x40mm
40PCS	40PCS	60PCS	10PCS	1PC	28PCS
G	H	I	J	K	M
	 M4x10mm		 M4x35mm		
11PCS	6PCS	10PCS	14PCS	2PCS	2PCS
N	O	P	Q	R	S
 M4x12mm		 P1 P2	 M6x20mm	 M4x25mm	
2PCS	6PCS	3PCS	1PC	6PCS	4PCS
T	V	W			
					
8PCS	2PCS	8PCS			

1

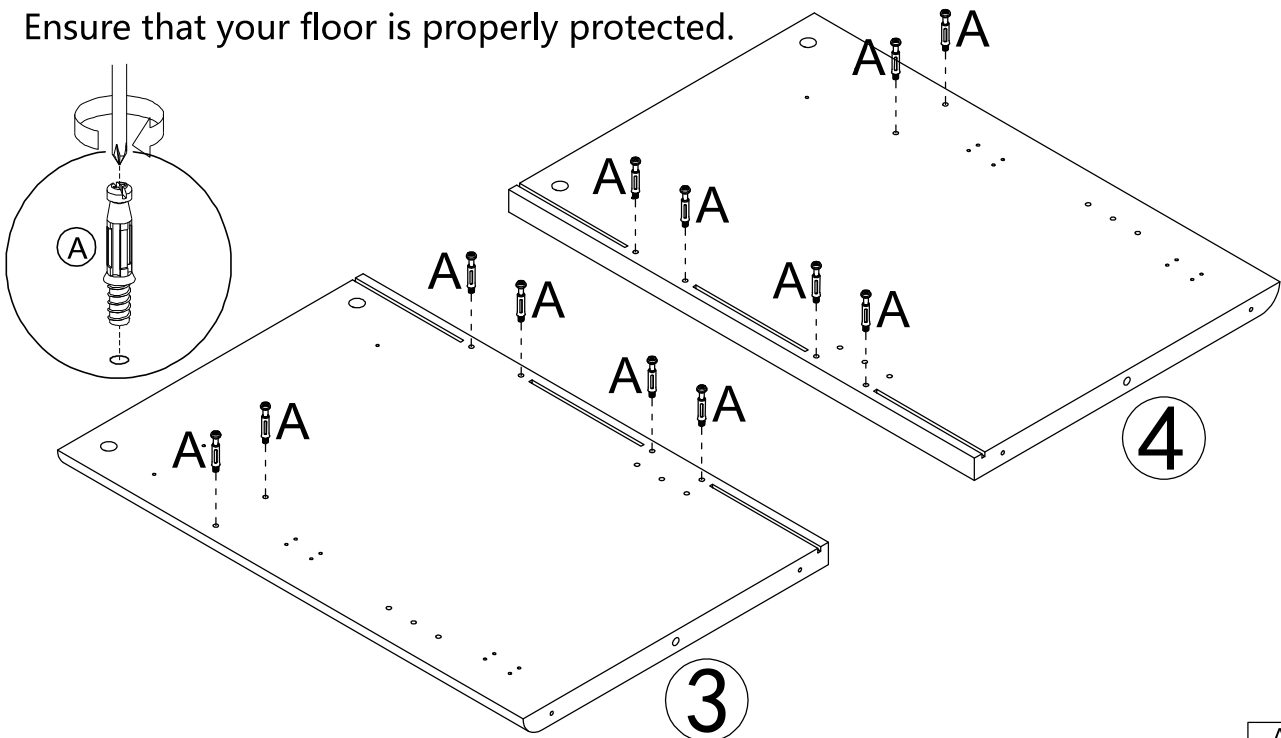
Ensure that your floor is properly protected.




A	x8	M	x2	N	x2
					
M6x35mm				M4x12	

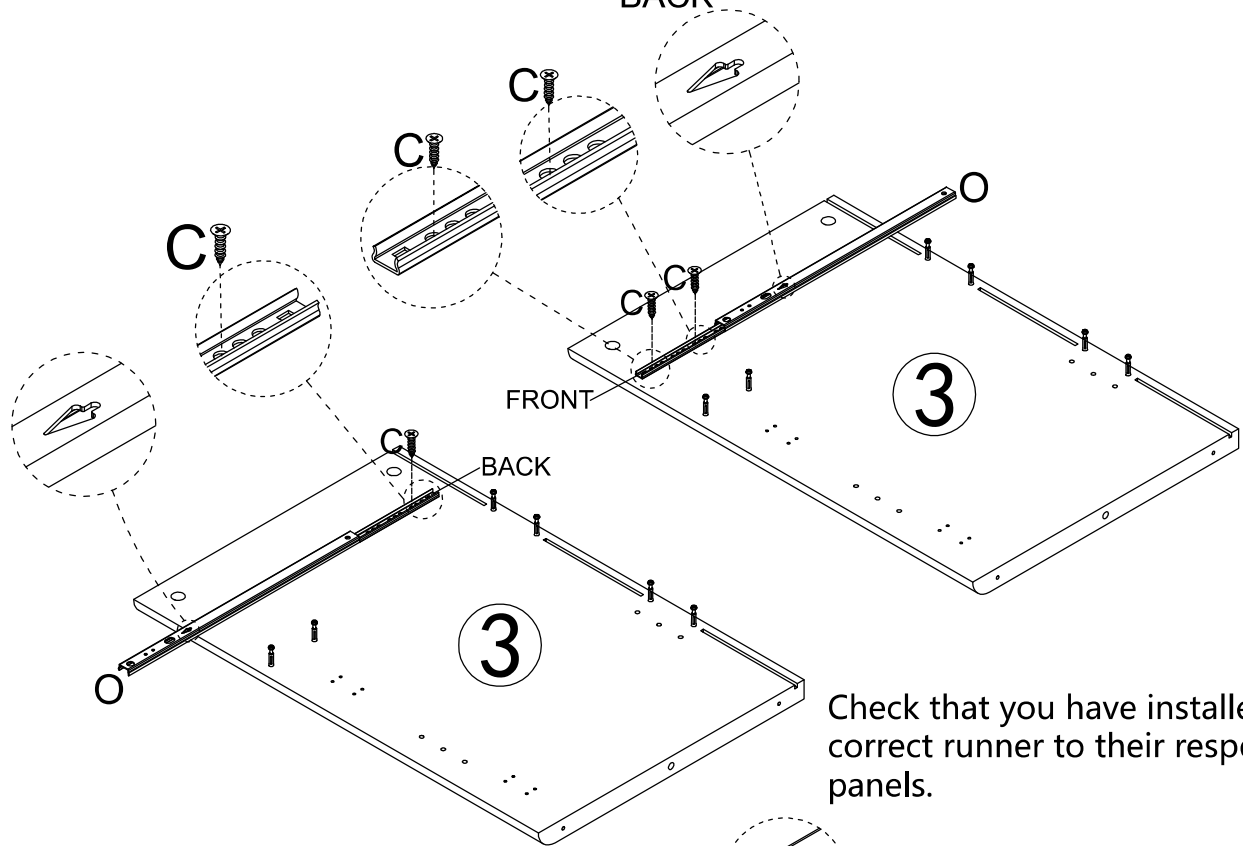
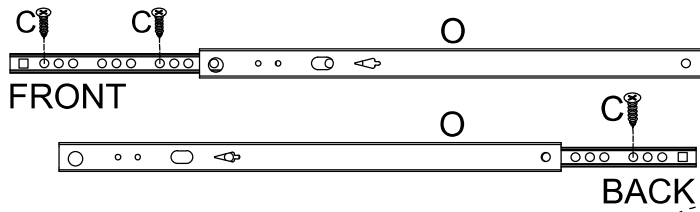
2

Ensure that your floor is properly protected.

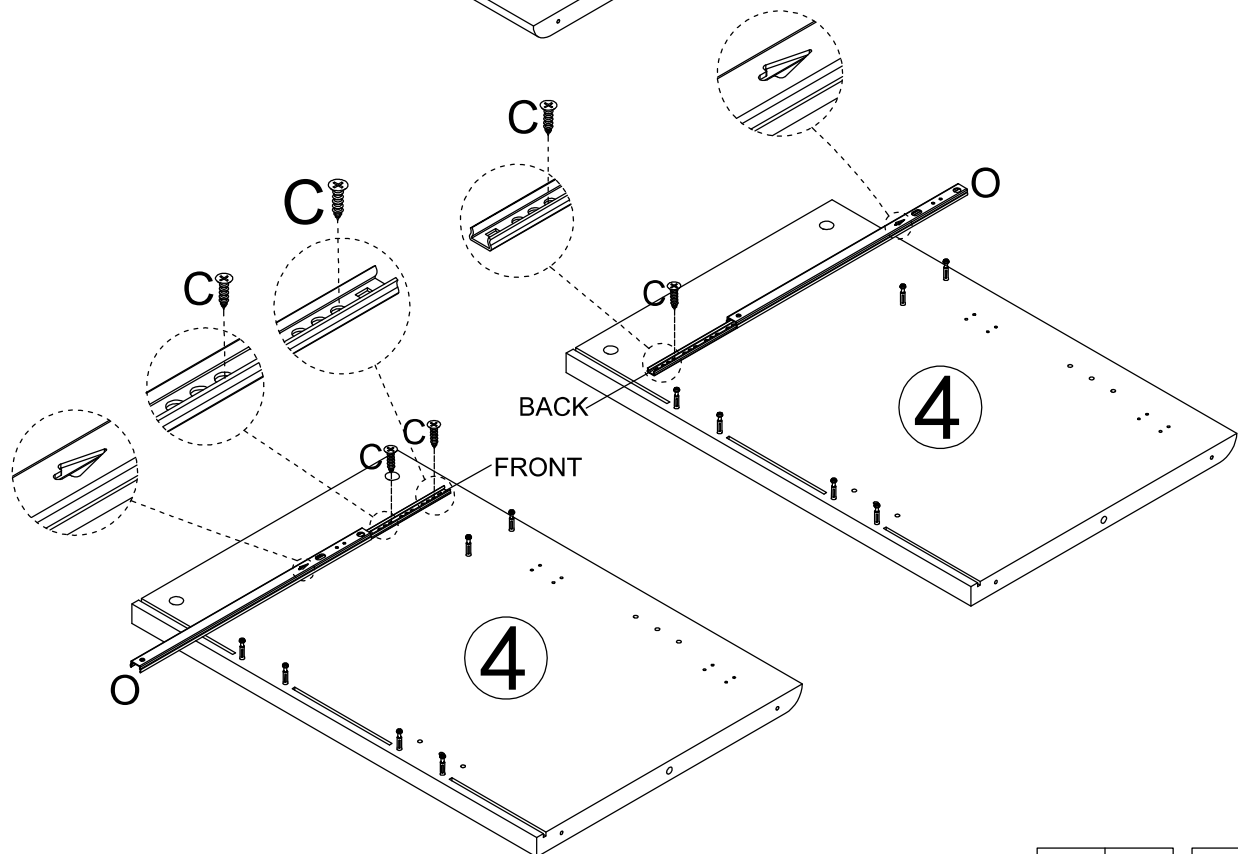


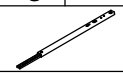
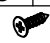
A	x12
	
M6x35mm	

3

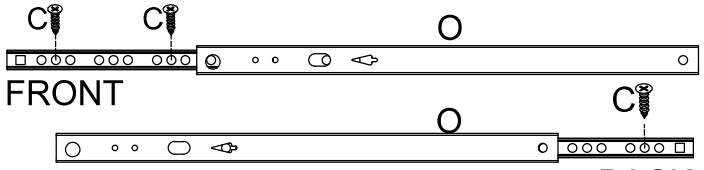


Check that you have installed the correct runner to their respective panels.



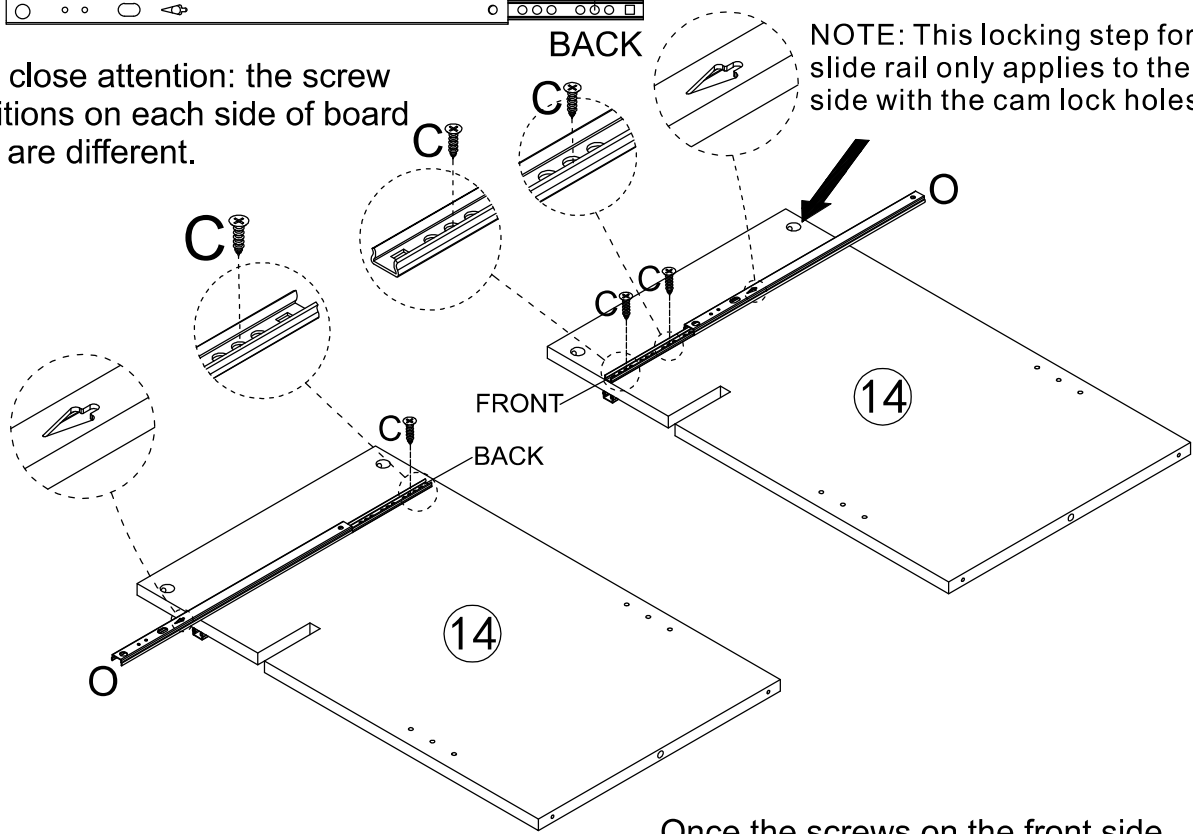
O	X2	C	X6
			
		Silver color	
		M3.5x14mm	

4

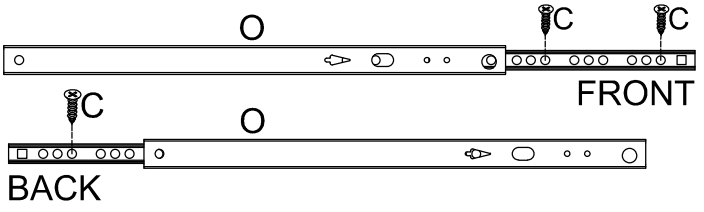


Pay close attention: the screw positions on each side of board #14 are different.

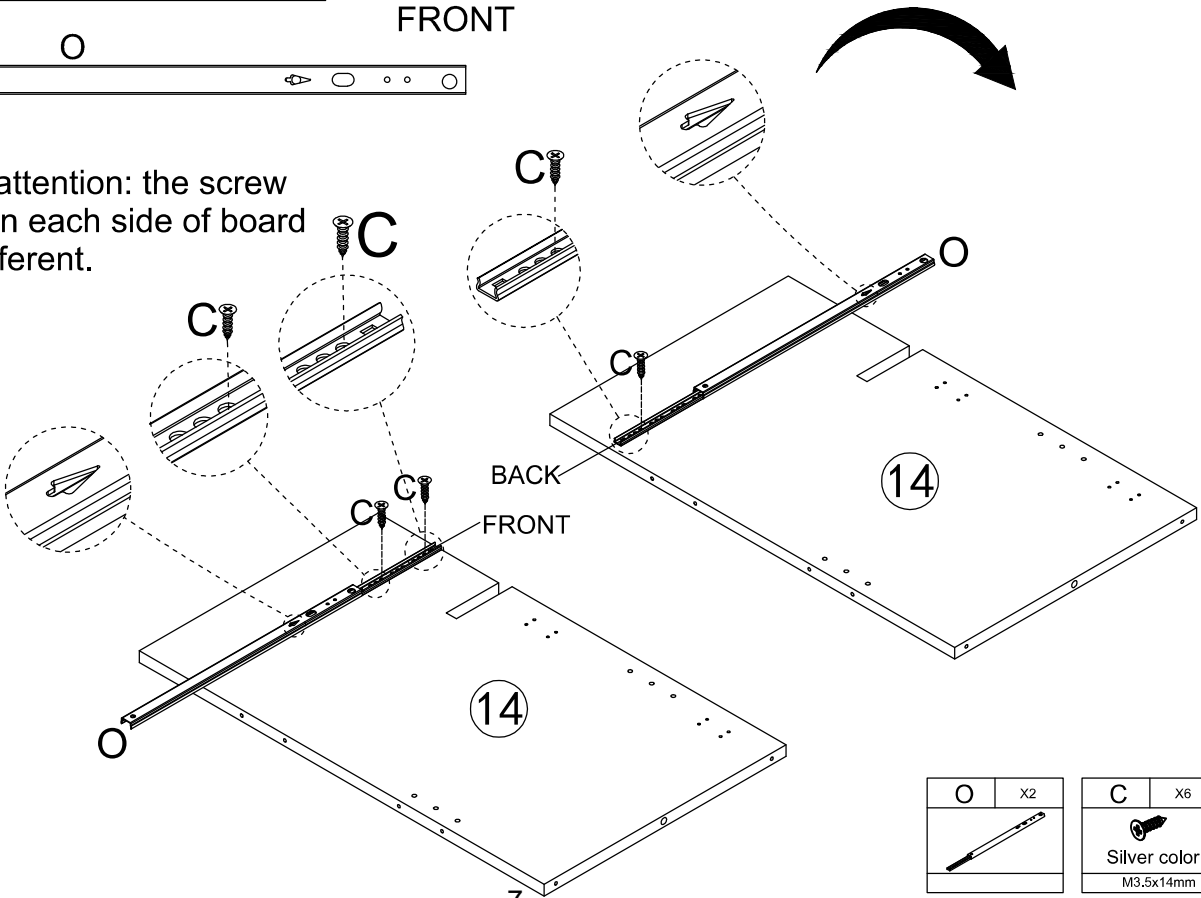
NOTE: This locking step for slide rail only applies to the board side with the cam lock holes.



Once the screws on the front side of Board #14 are secured, flip it over to the back side to attach the slides.

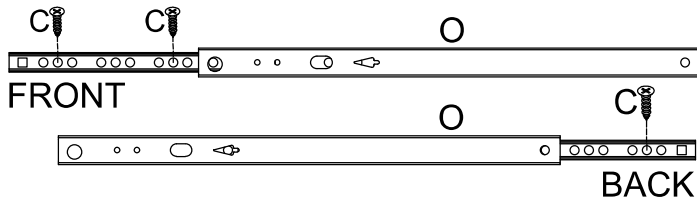


Pay close attention: the screw positions on each side of board #14 are different.



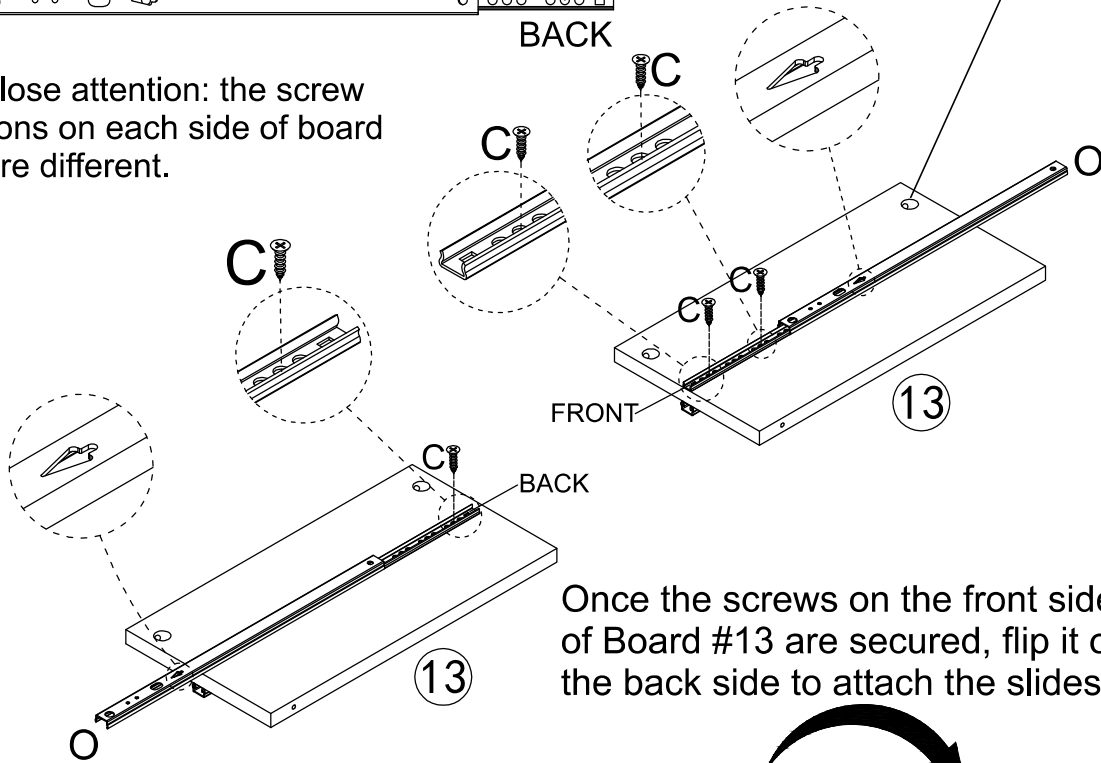
O	x2	C	x6
		Silver color	
		M3.5x14mm	

5

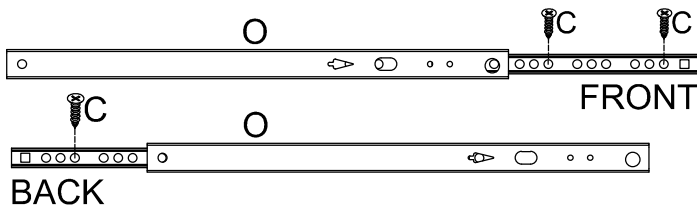


NOTE: This locking step for slide rail only applies to the board side with the cam lock holes.

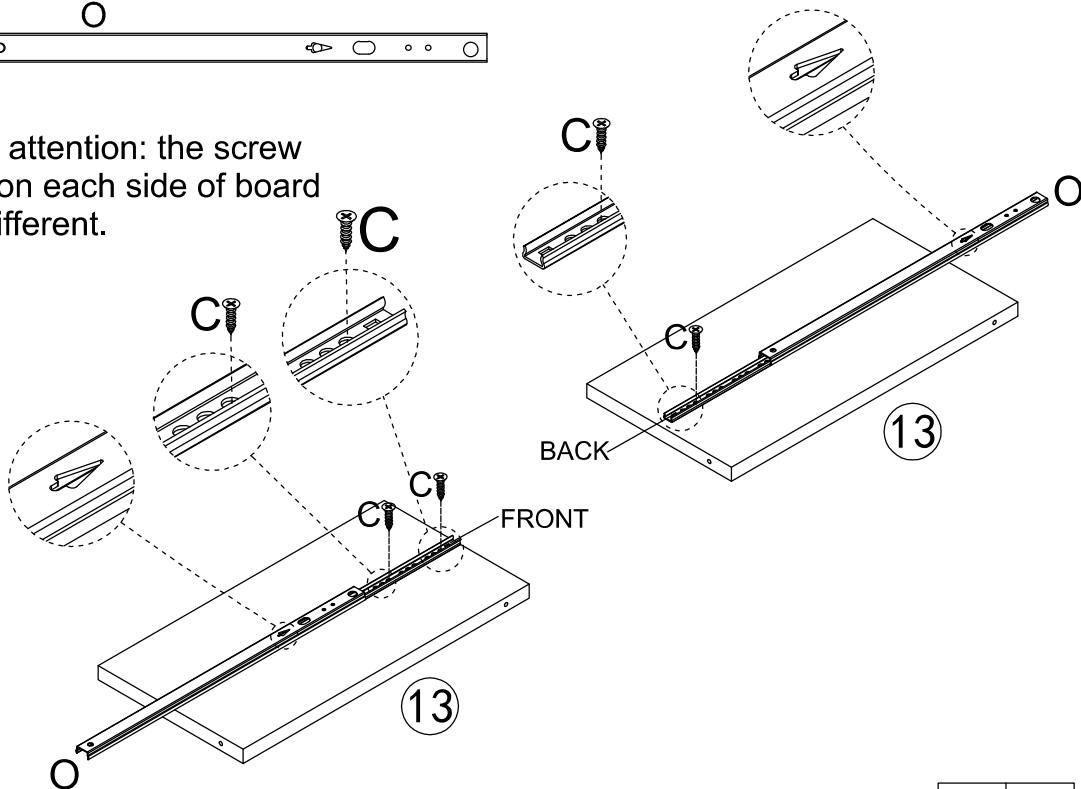
Pay close attention: the screw positions on each side of board #13 are different.

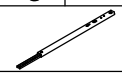



Once the screws on the front side of Board #13 are secured, flip it over to the back side to attach the slides.

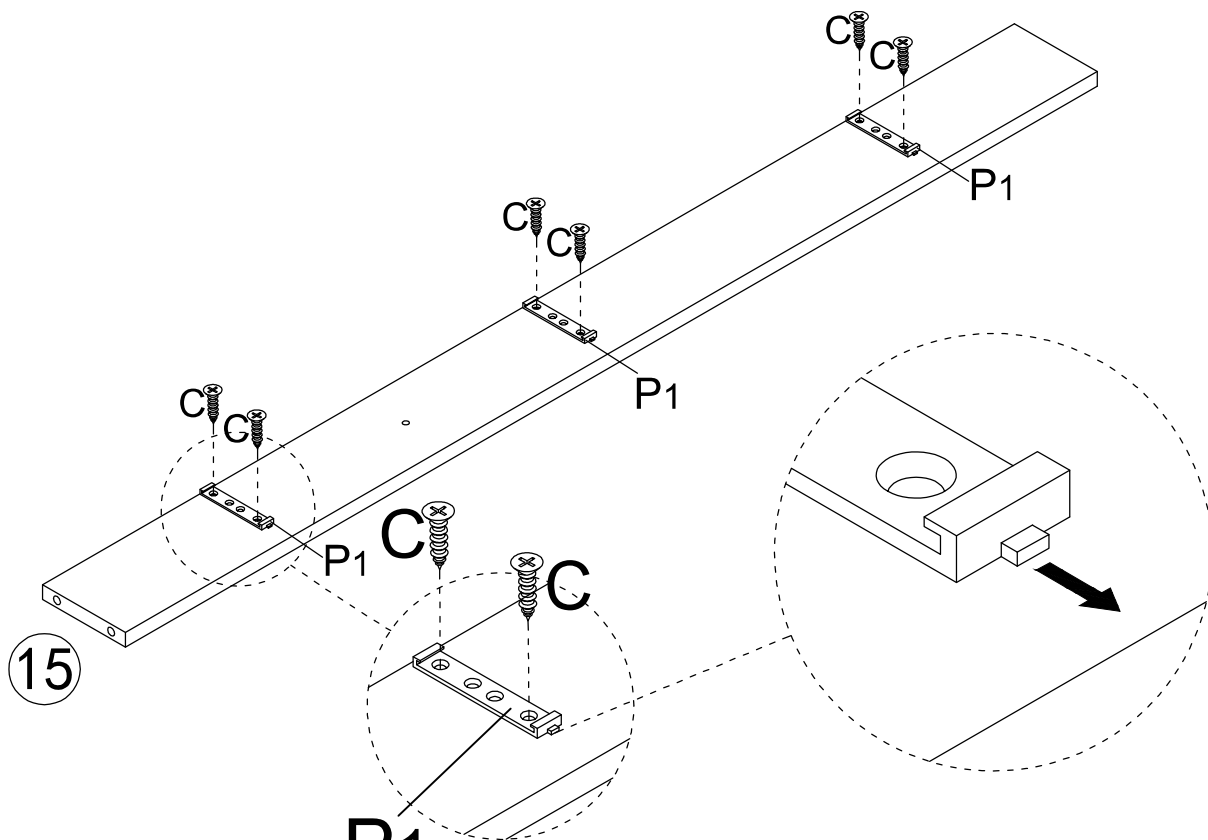


Pay close attention: the screw positions on each side of board #14 are different.



O	X2	C	X6
		 Silver color M3.5x14mm	

6

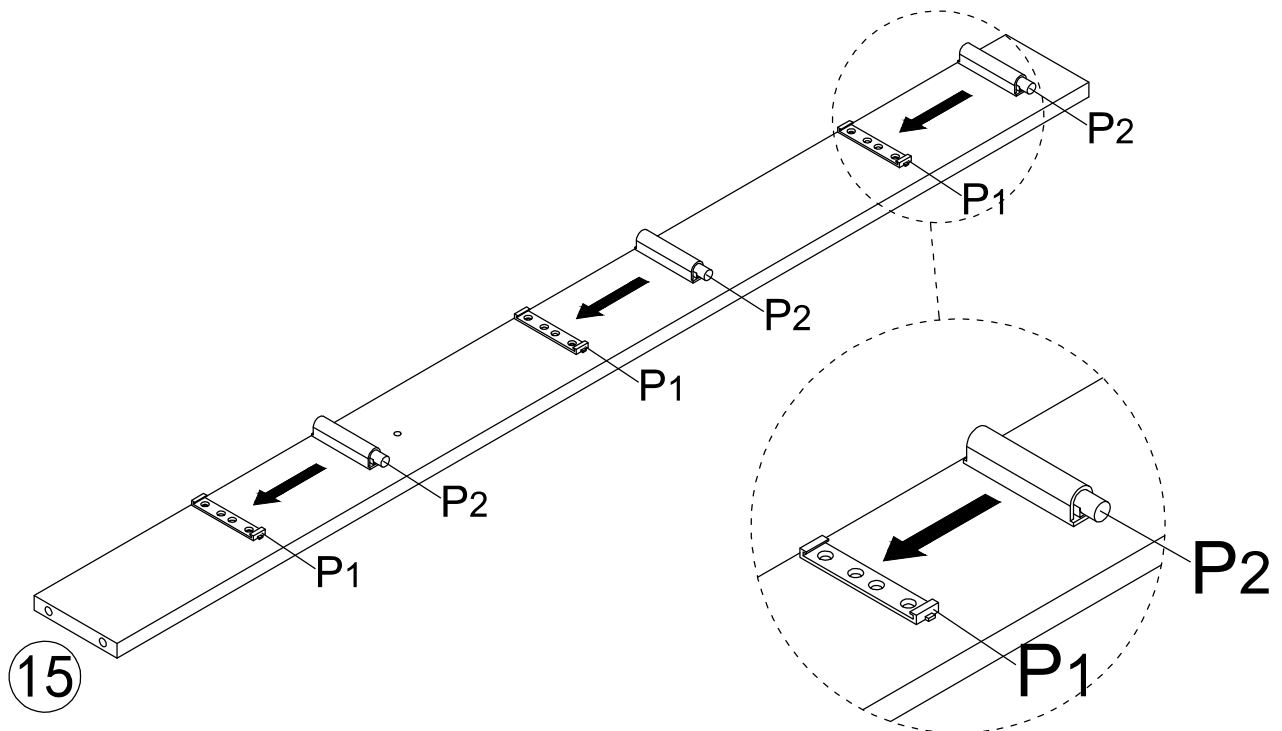


15



P1


ATTENTION !

Protrusion faces forward.



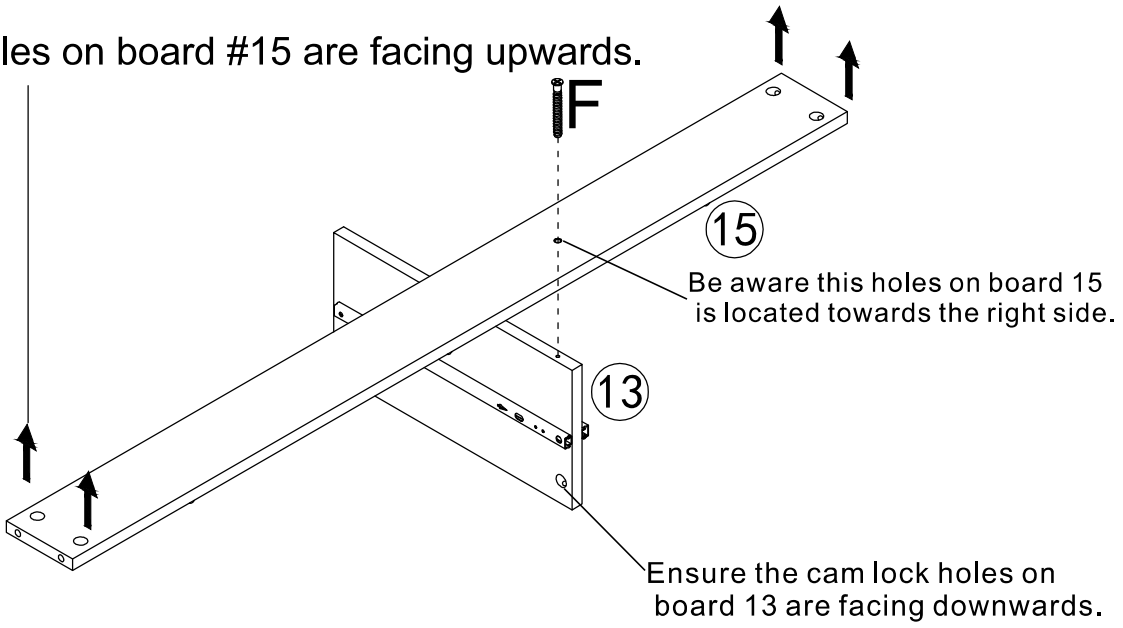
15


P	x3
	

C	x6
	Silver color
M3.5x14mm	

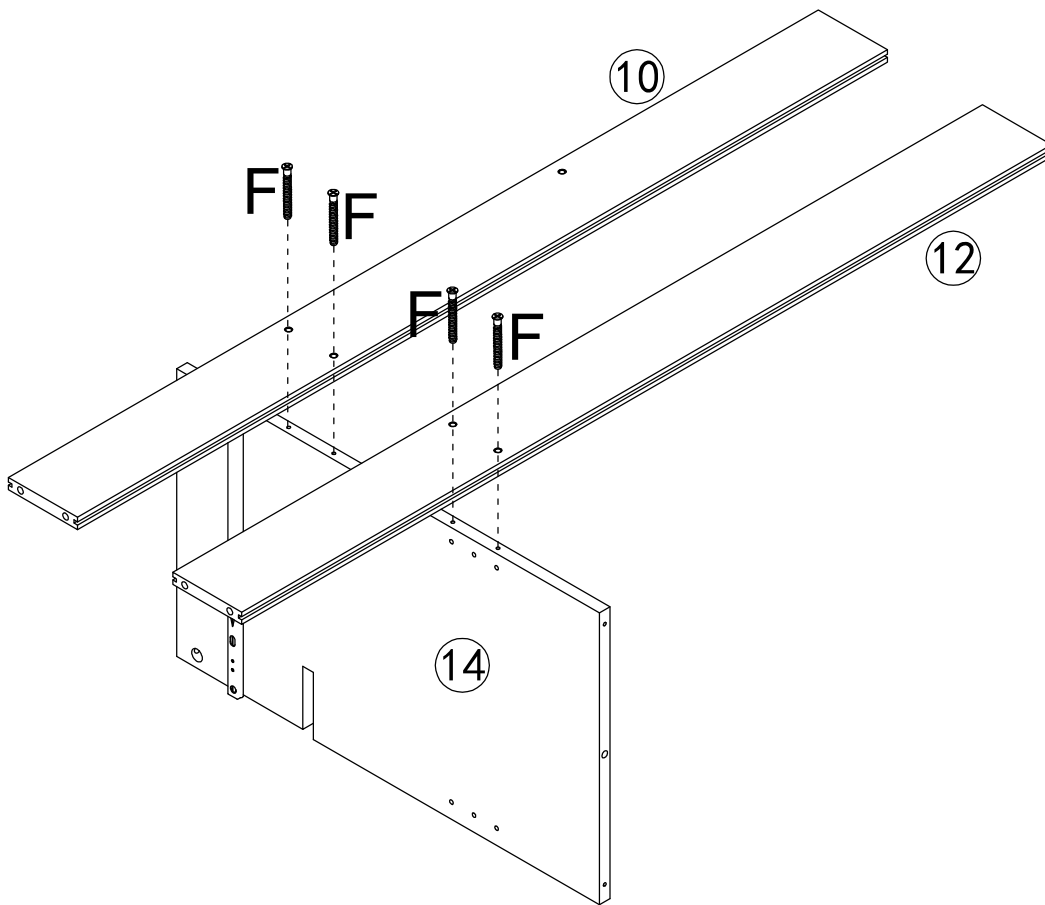
7


The holes on board #15 are facing upwards.



F	x1
	
M5x40mm	

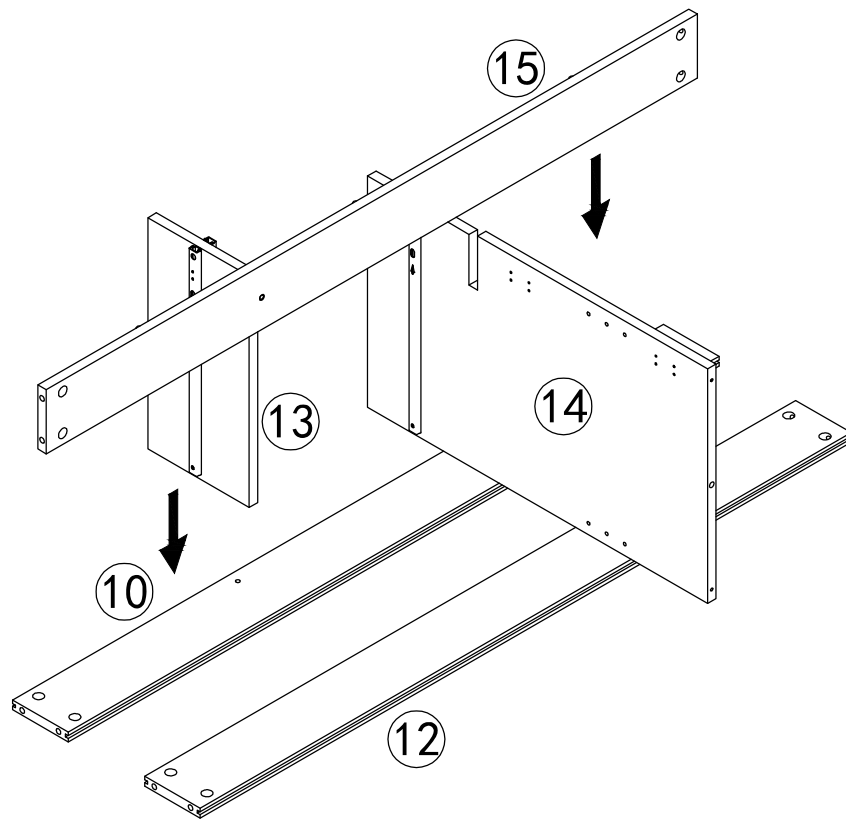
8



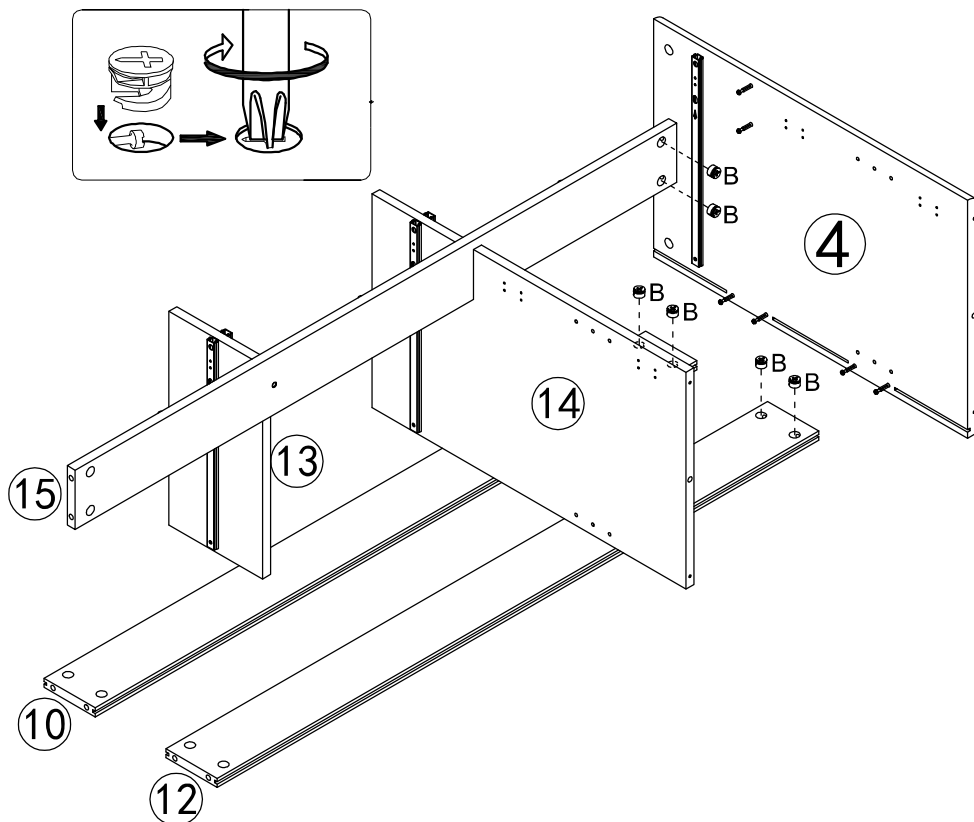
F	x4
	
M5x40mm	

10

9

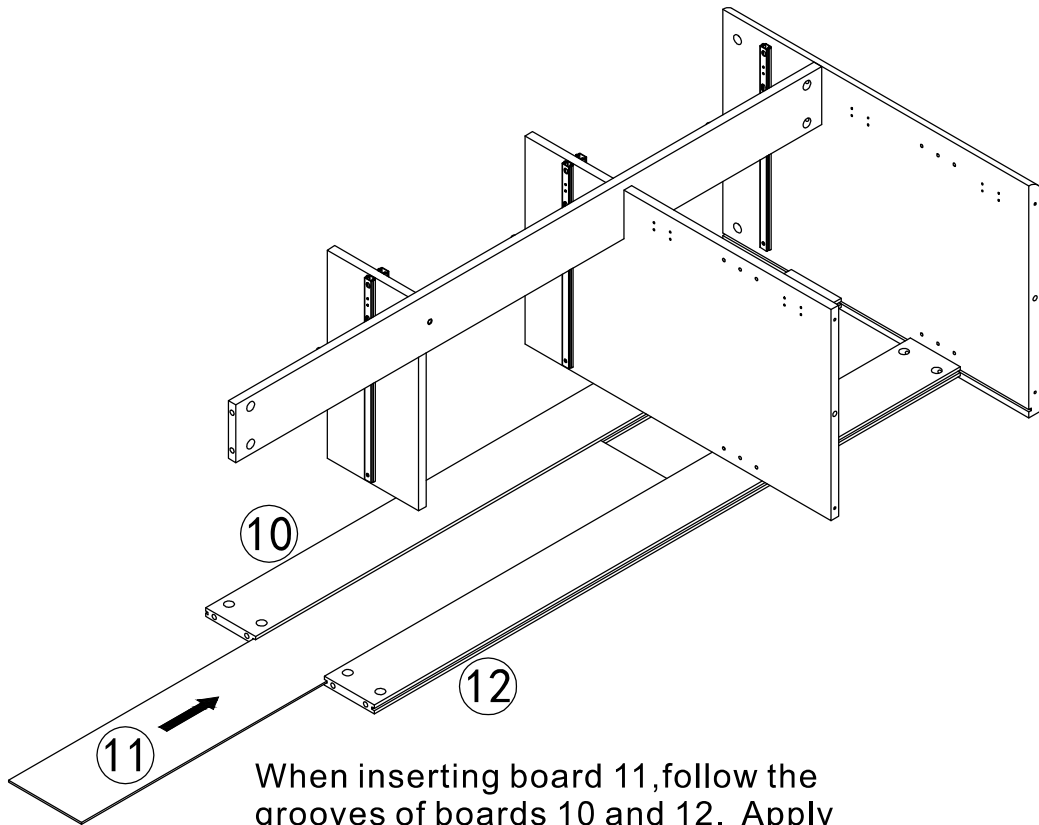


10



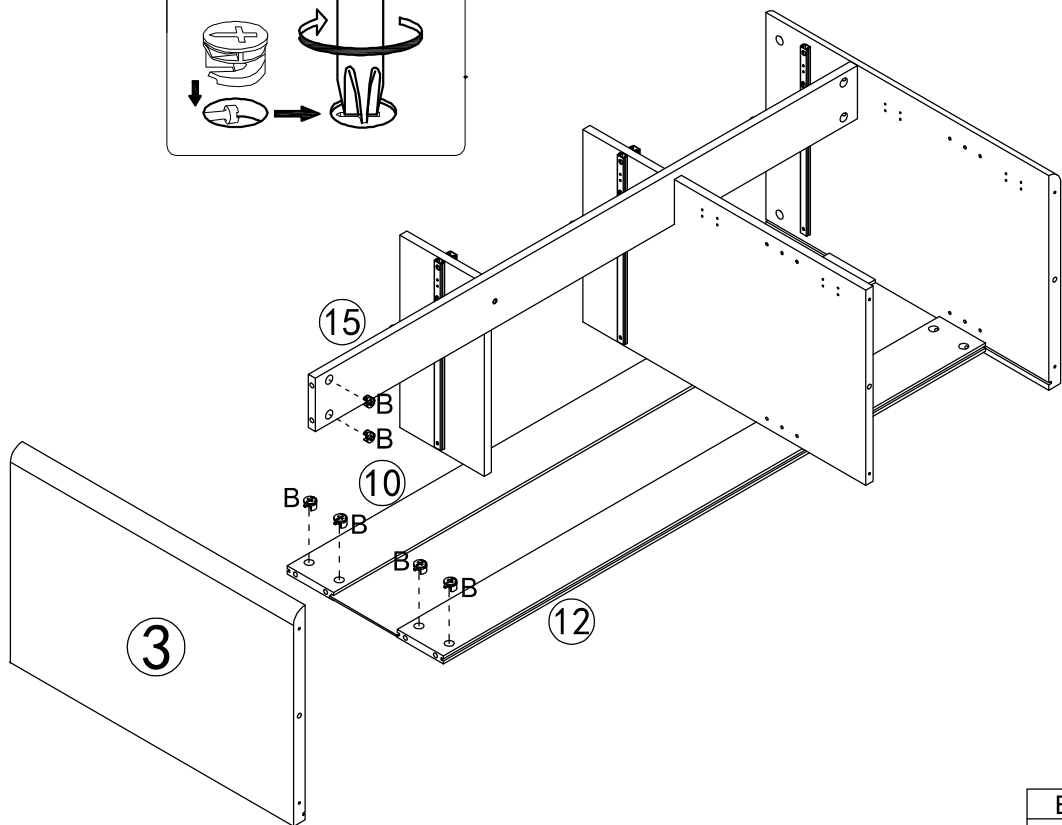
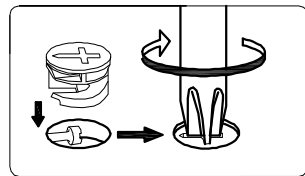
B	x6


11



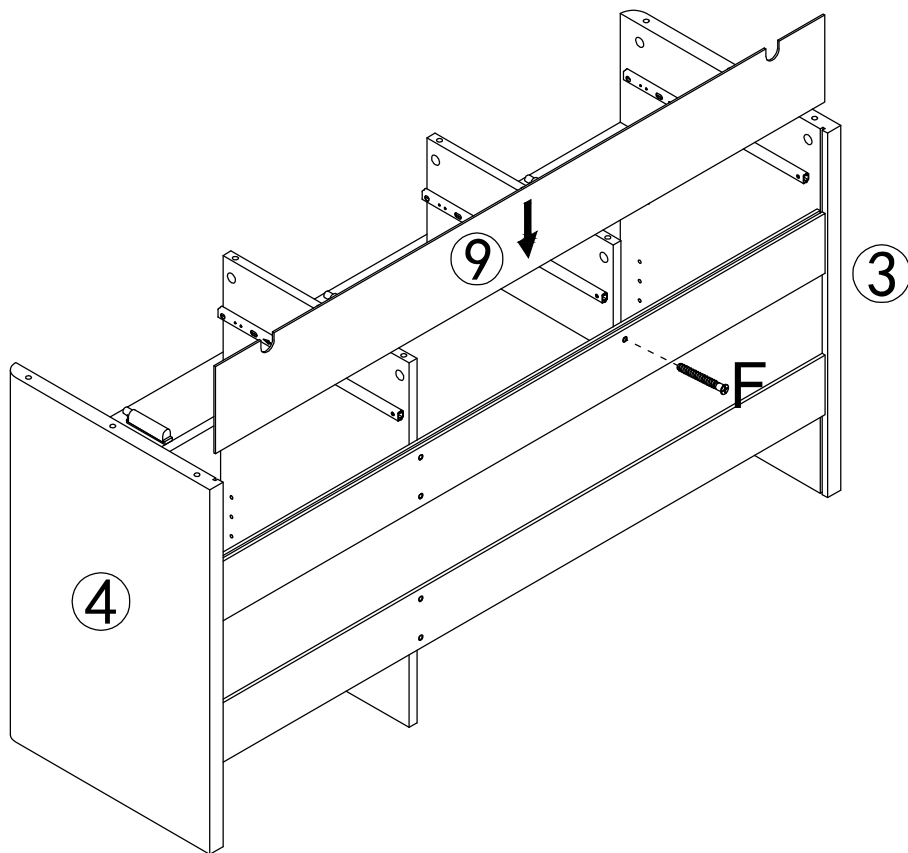
When inserting board 11, follow the grooves of boards 10 and 12. Apply force evenly from both sides and insert it at a steady pace.


12



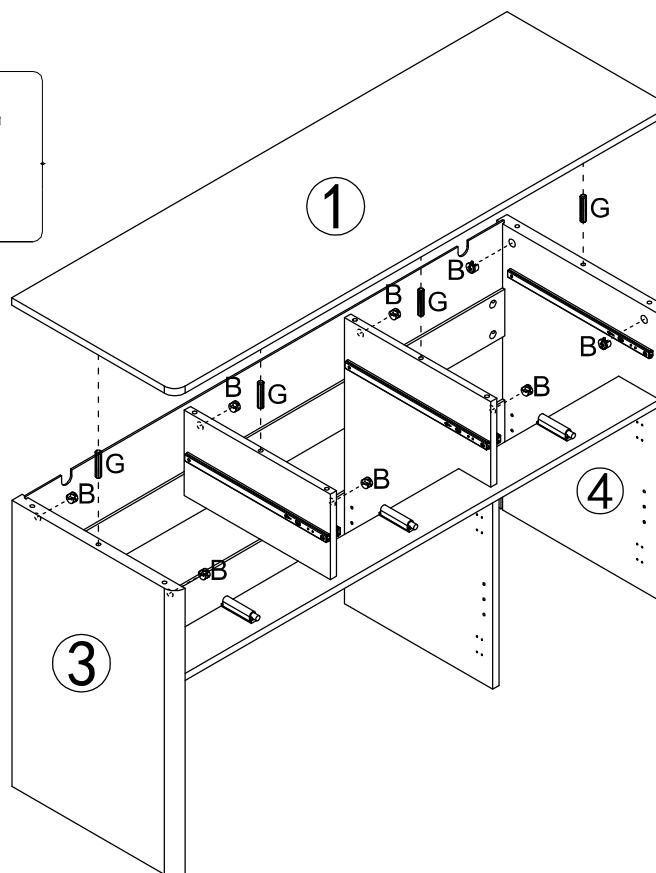
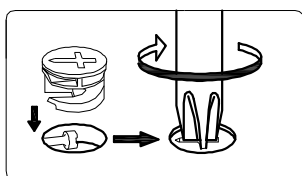
B	X6
	


13




F	x1
	
M5x40mm	

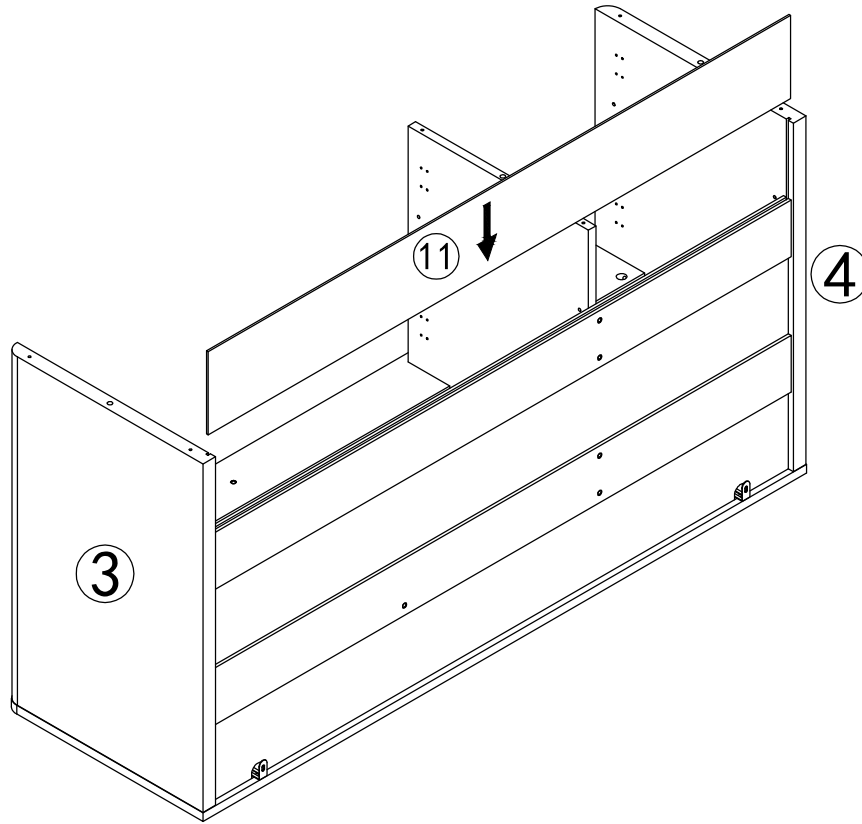
14



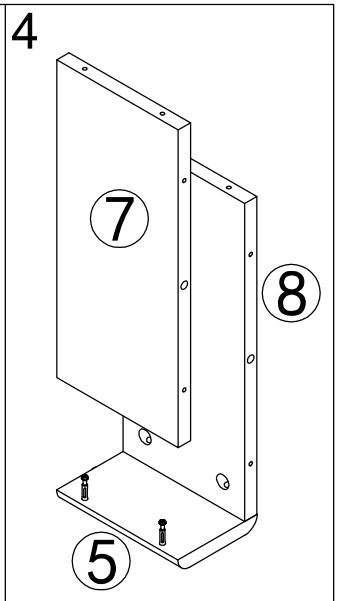
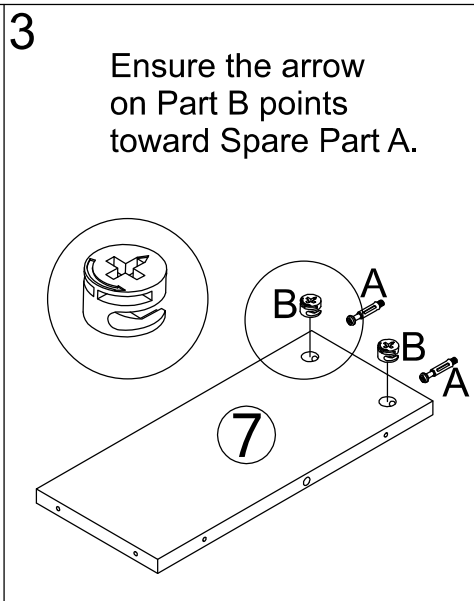
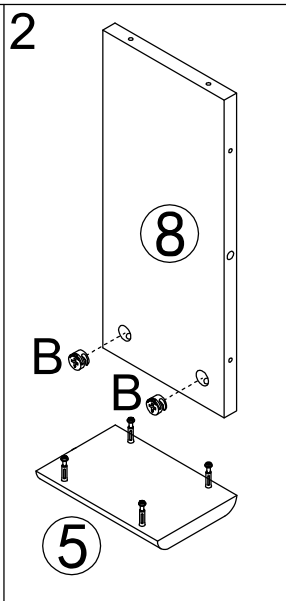
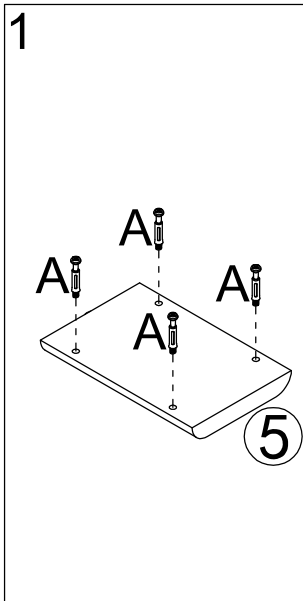
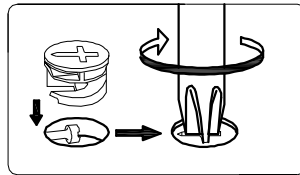
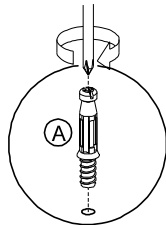
G	x4
	

B	x8
	


15




16

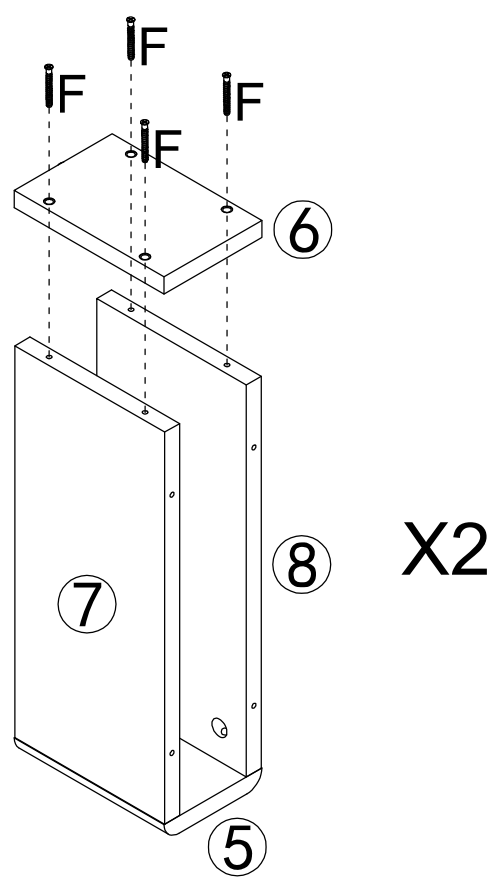



X2

A	x8
	
M6x35mm	

B	x8
	

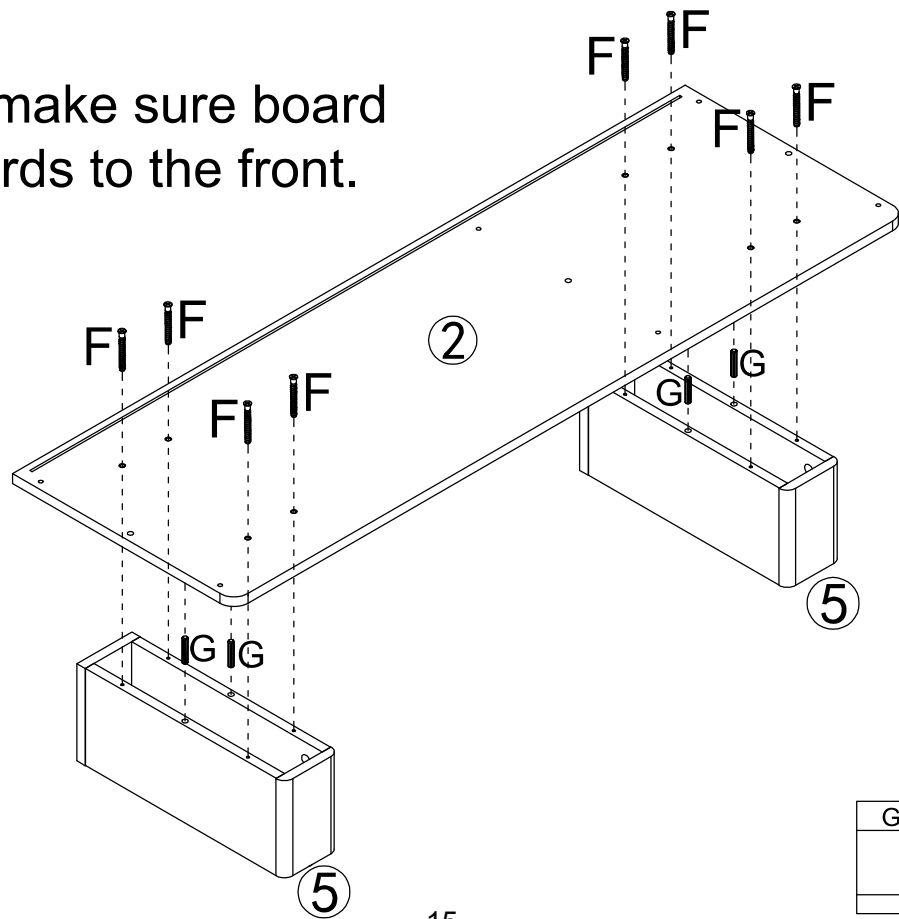
17





F	X8
	
M5x40mm	

18

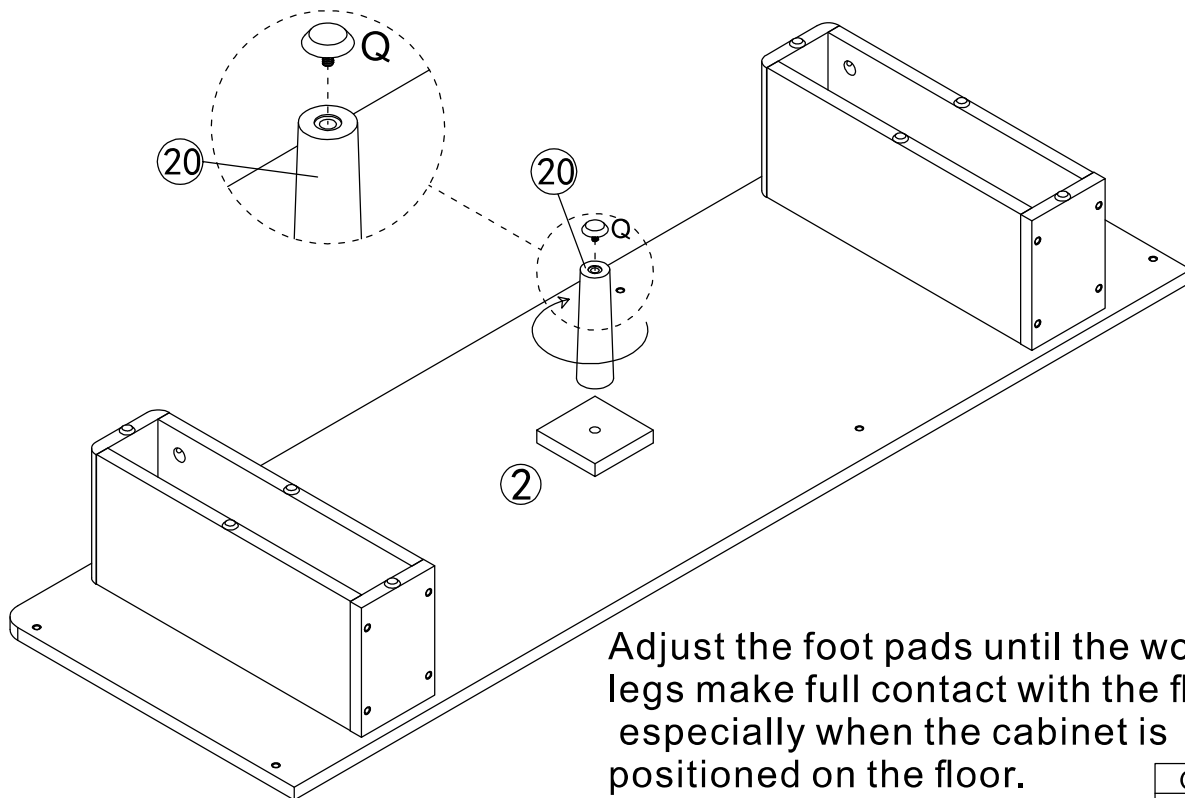
Please make sure board #5 towards to the front.



G	X4
	

F	X8
	
M5x40mm	

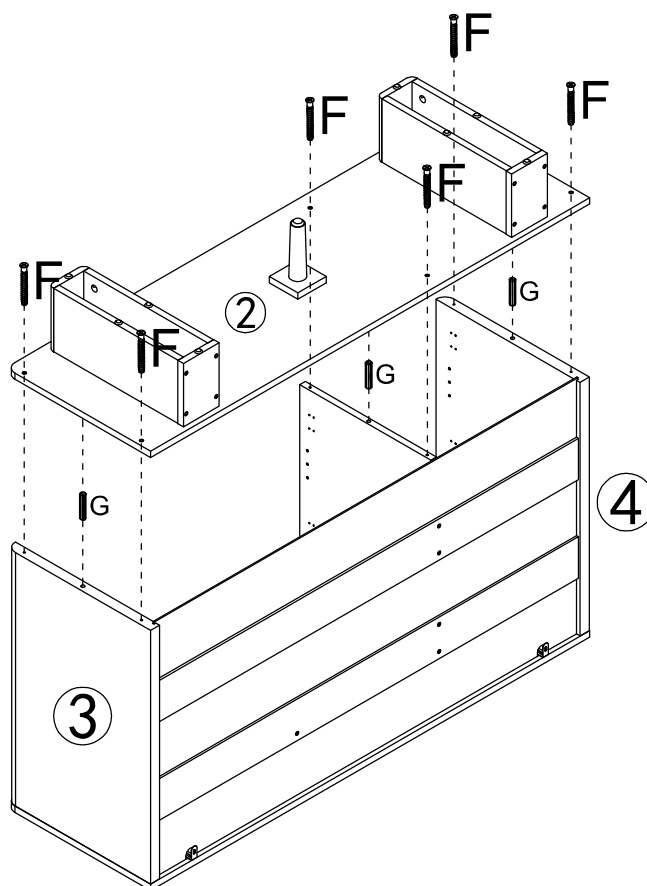
19



Adjust the foot pads until the wooden legs make full contact with the floor, especially when the cabinet is positioned on the floor.

Q	x1
M6x20mm	

20

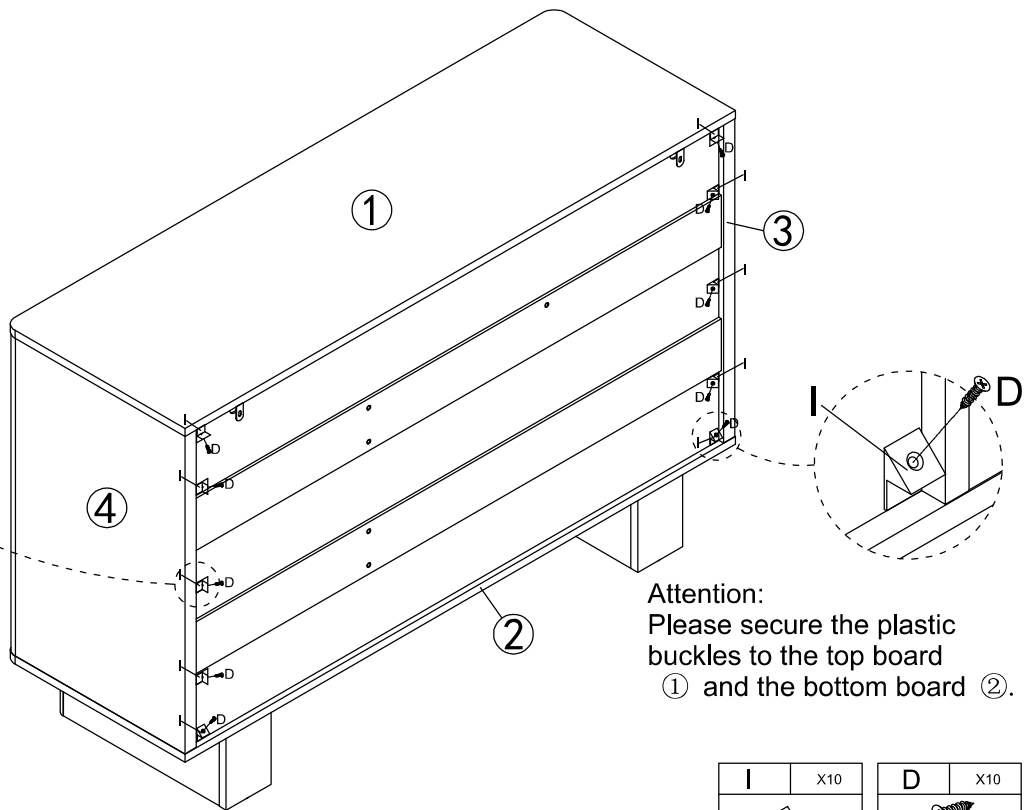
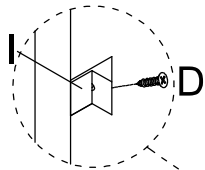


G	x3

F	x6
M5x40mm	

21

Attention:
Please secure the plastic
buckles to side boards ③ and ④.

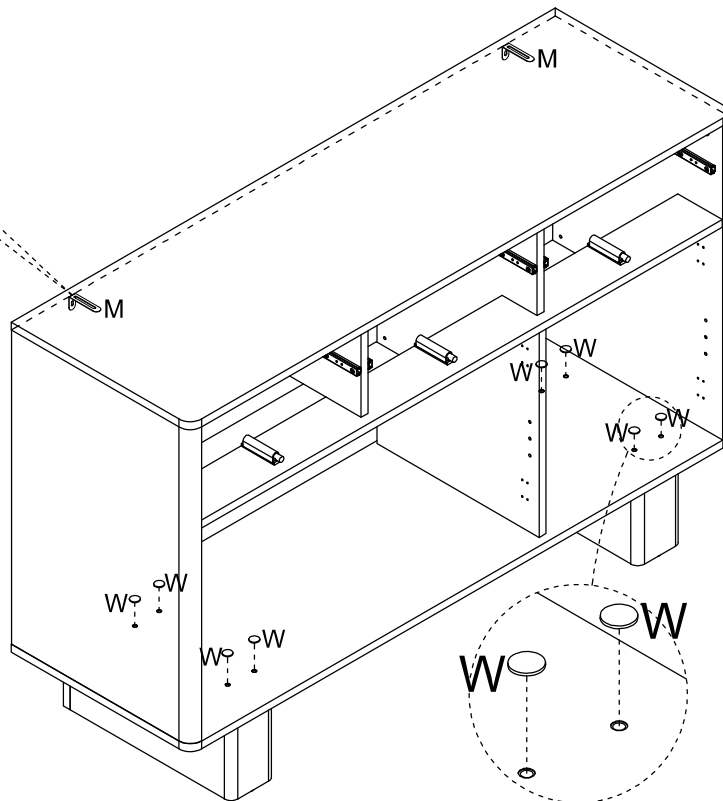
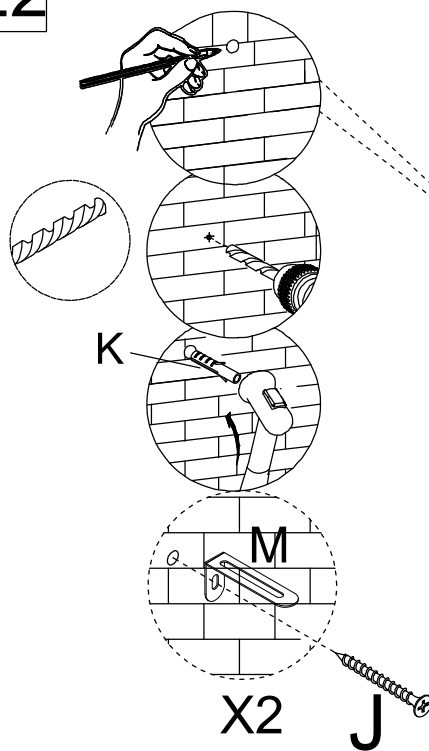


Attention:
Please secure the plastic
buckles to the top board
① and the bottom board ②.

I	x10

D	x10
Black color	
M3x16mm	

22

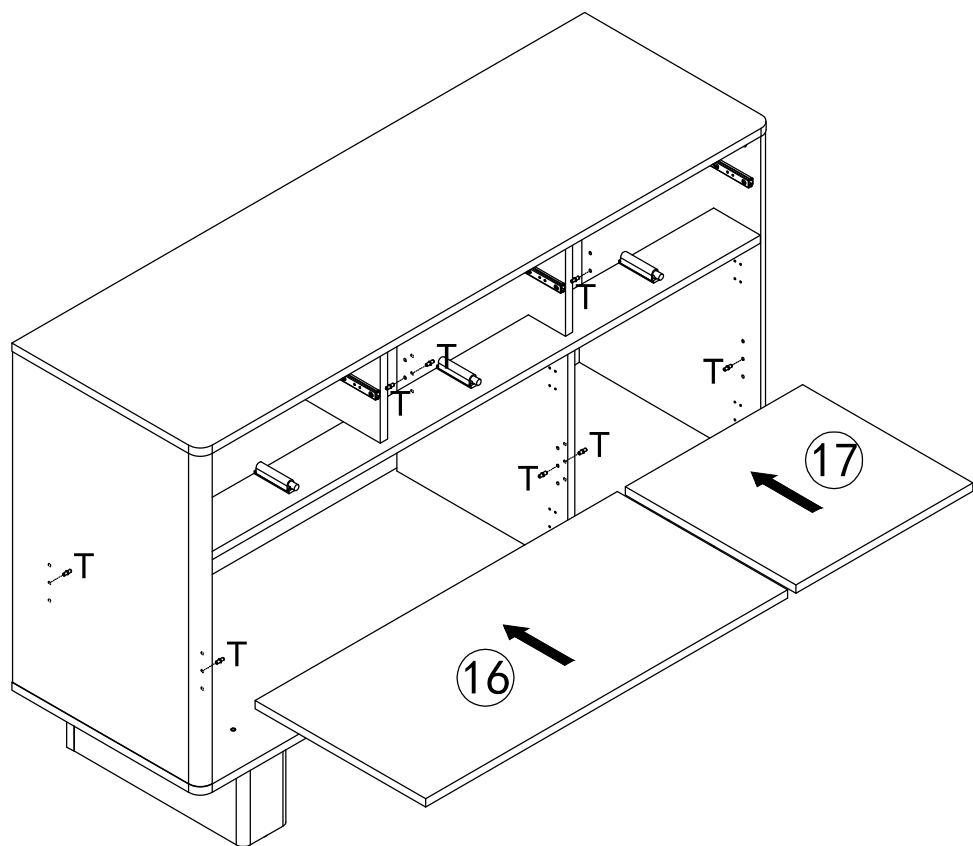



W	x8

K	x2

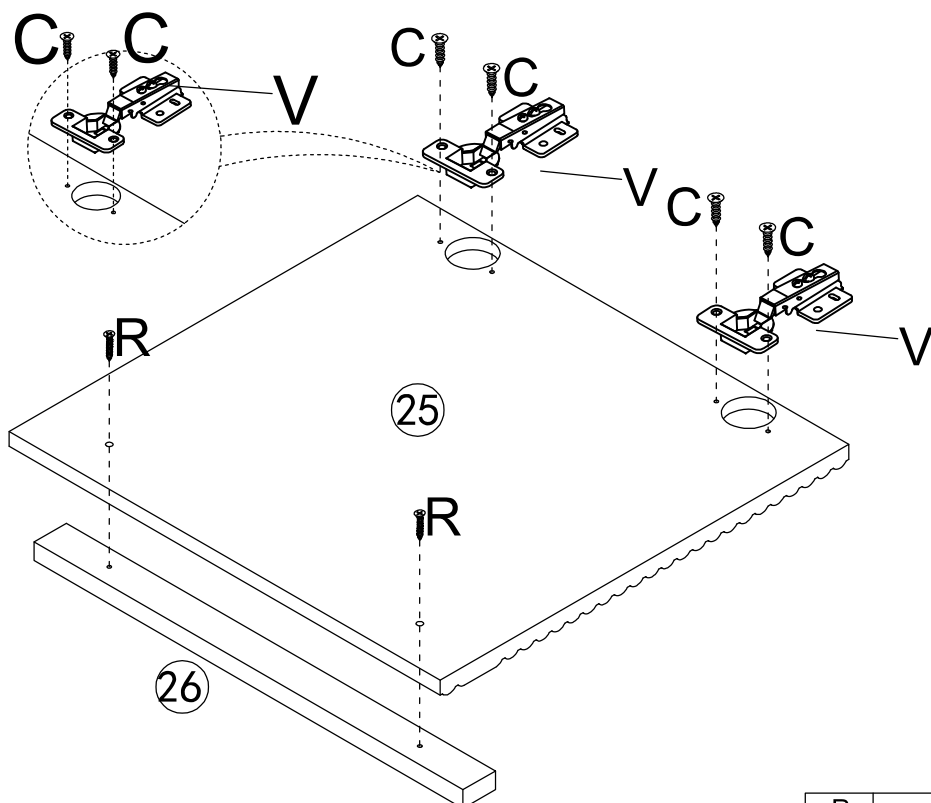
J	x2
M4x35mm	


23





T	X8
	

24

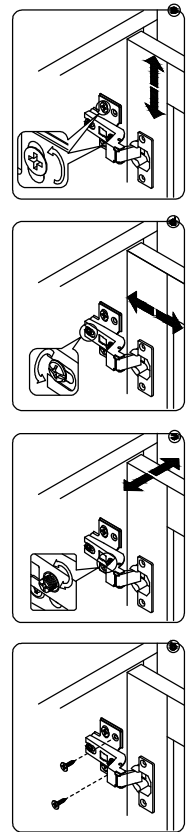
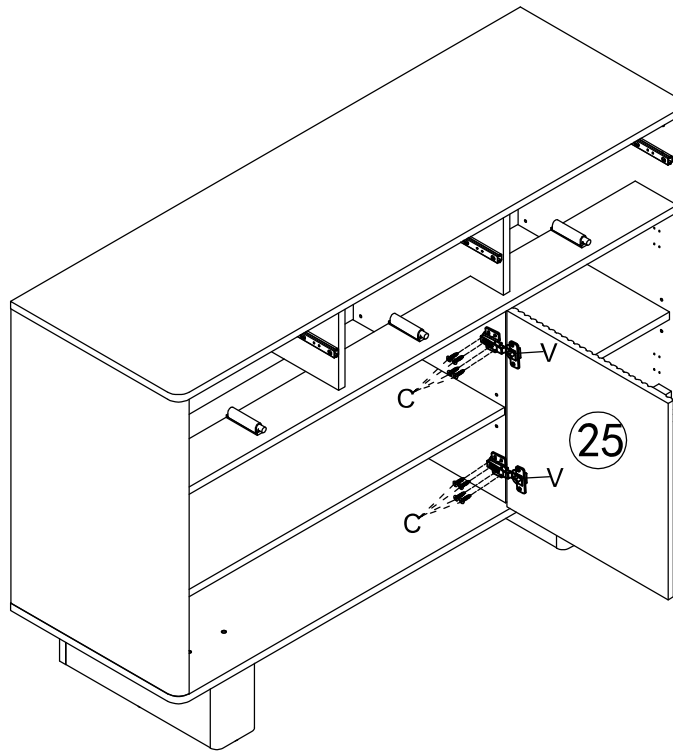



R	X2
	
M4x25mm	

V	X2
	

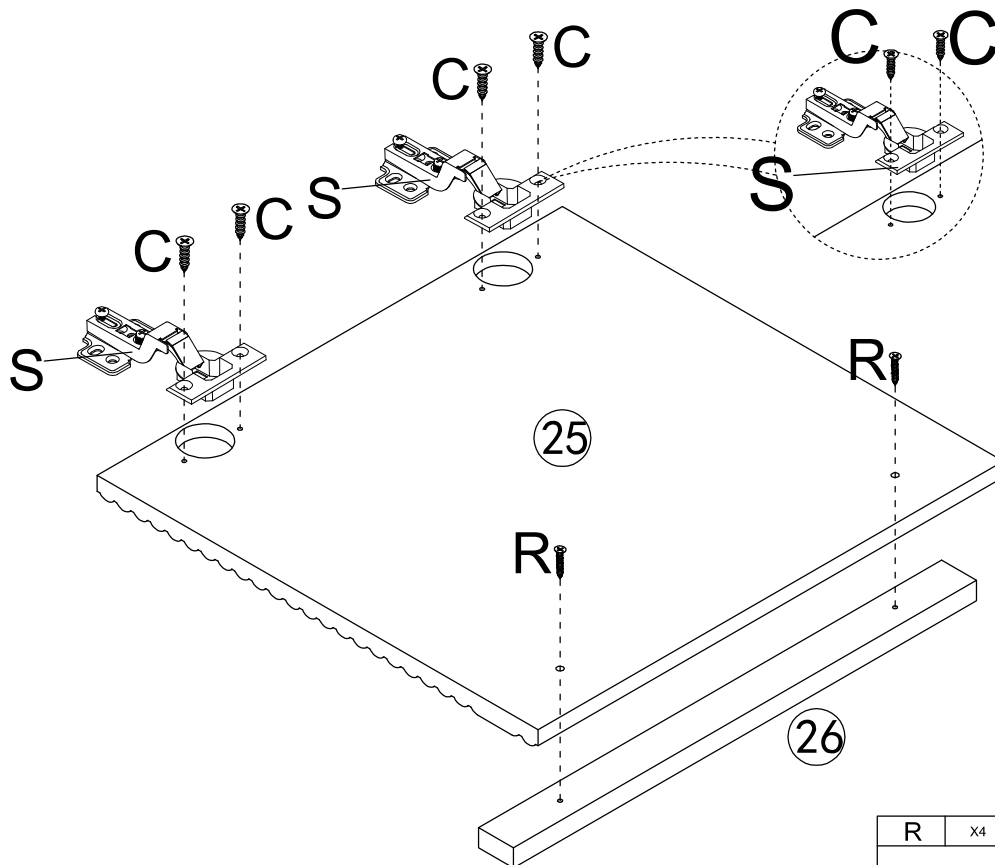
C	X4
	
Silver color M3.5x14mm	

25





C	X8
 Silver color M3.5x14mm	


26



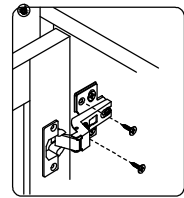
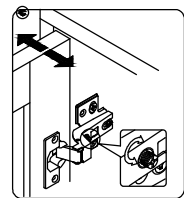
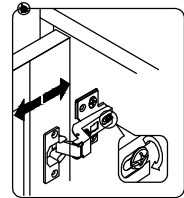
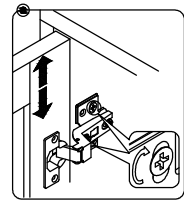
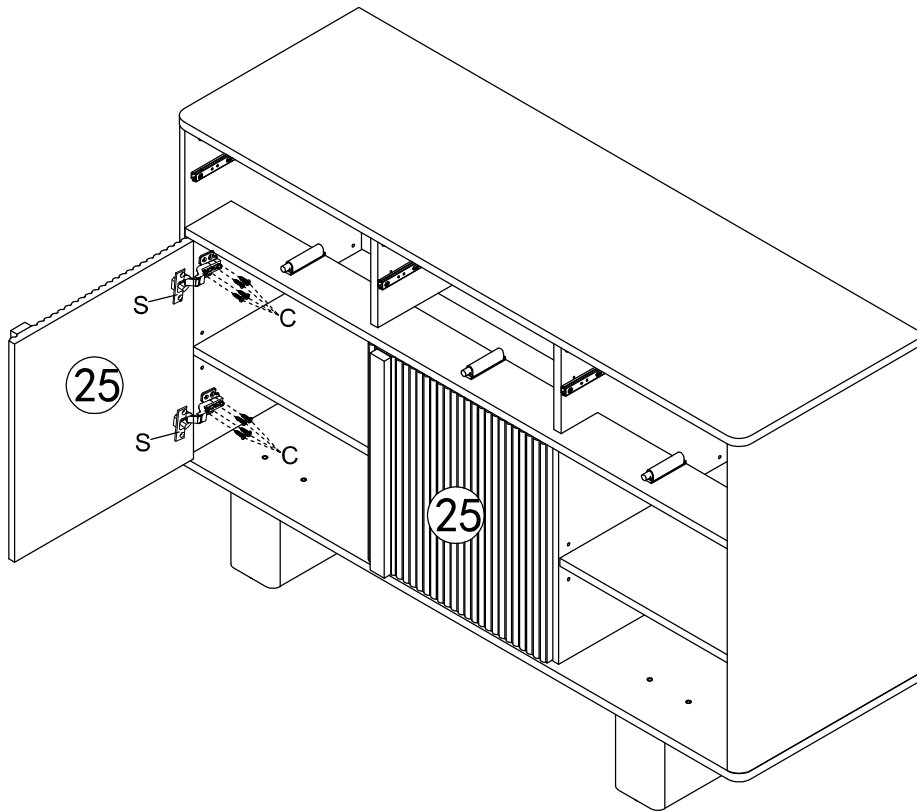
X2


R	X4
 M4x25mm	

S	X4
	

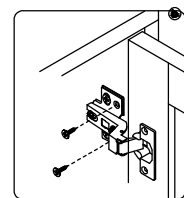
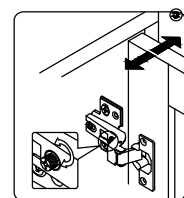
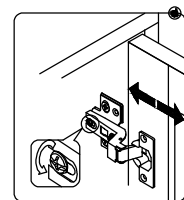
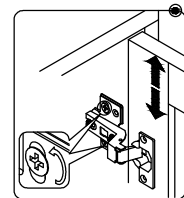
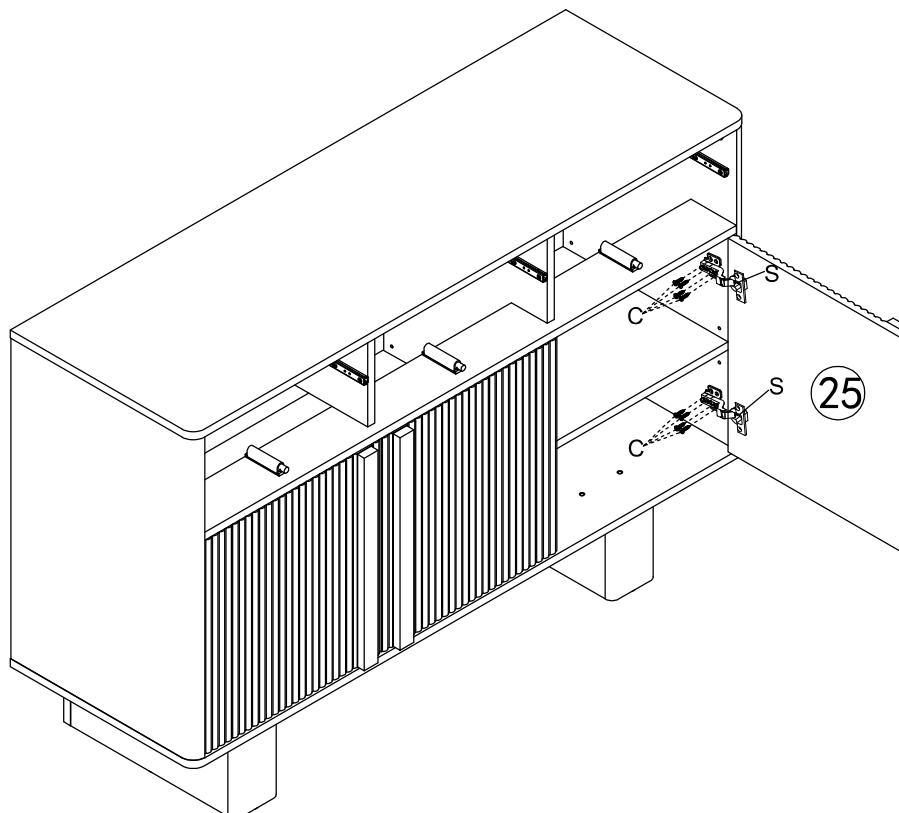
C	X8
 Silver color M3.5x14mm	


27



C	X8
	
Silver color M3.5x14mm	

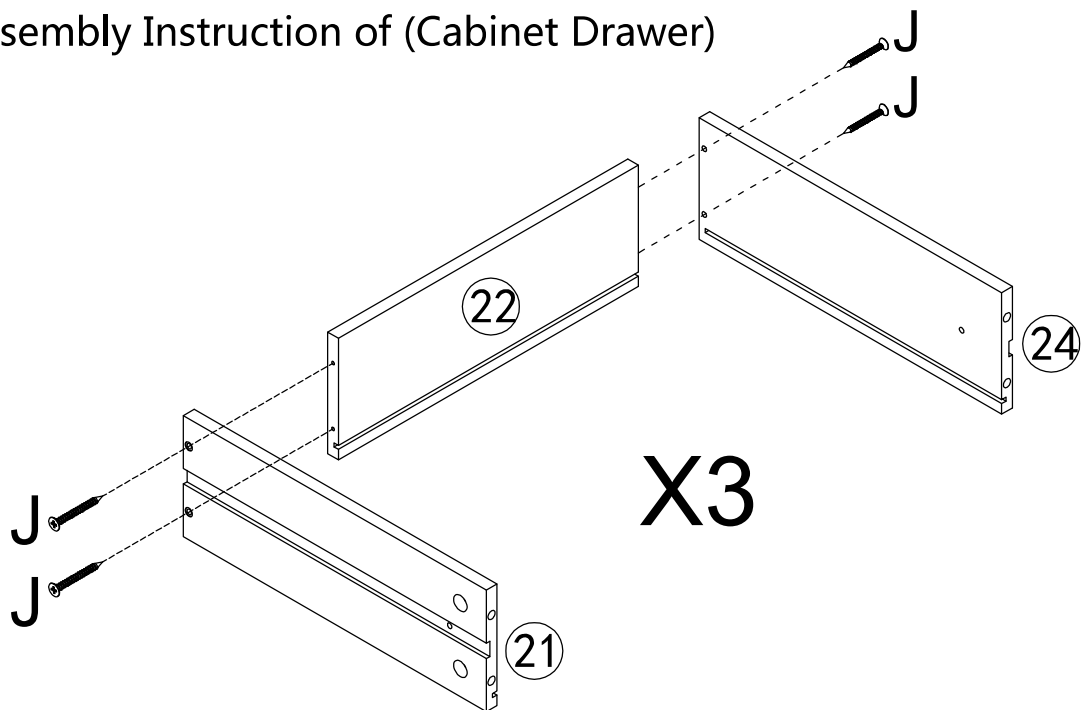
28




C	X8
	
Silver color M3.5x14mm	

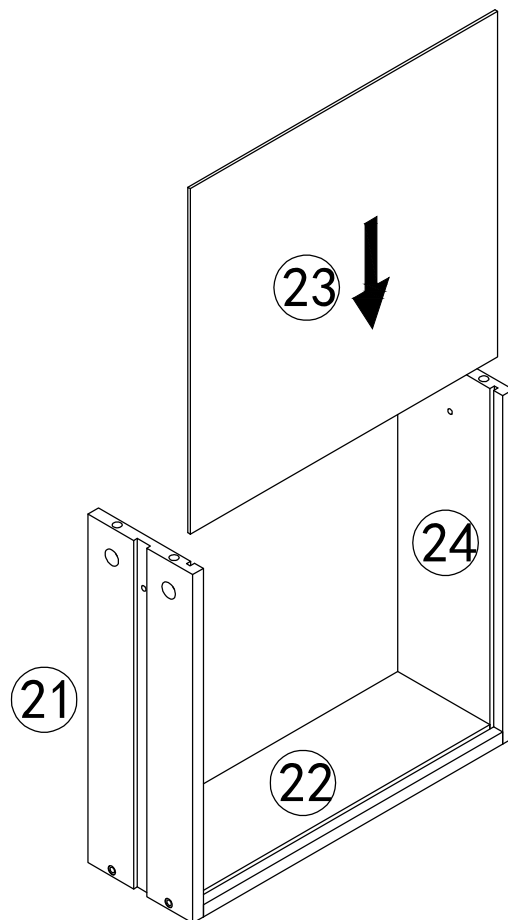
29

Assembly Instruction of (Cabinet Drawer)

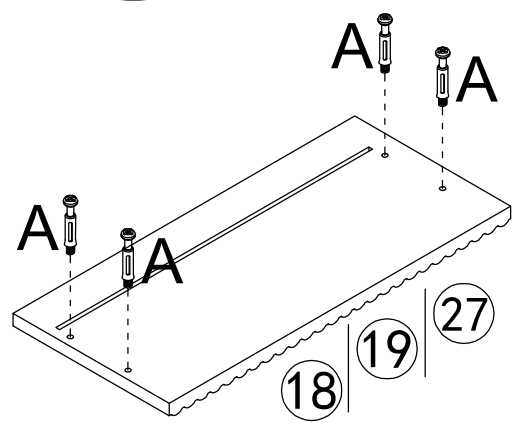
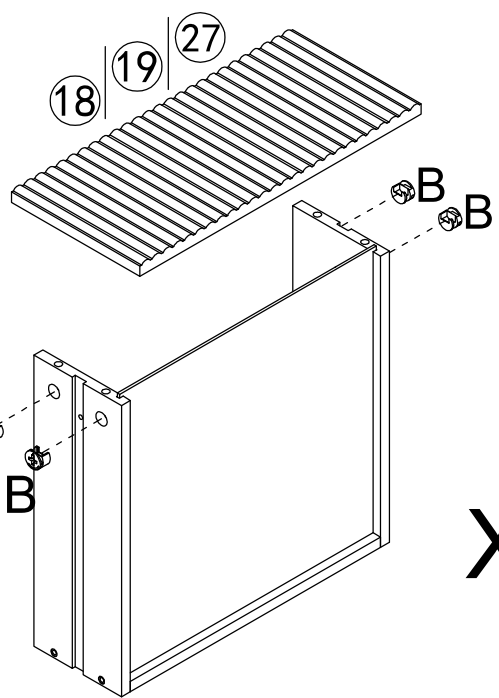
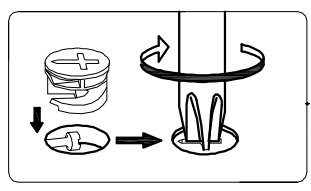
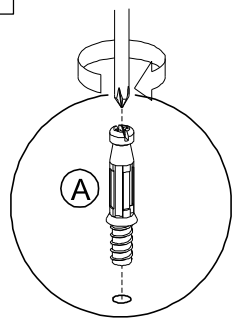


J	X12
	
M4x35mm	



30



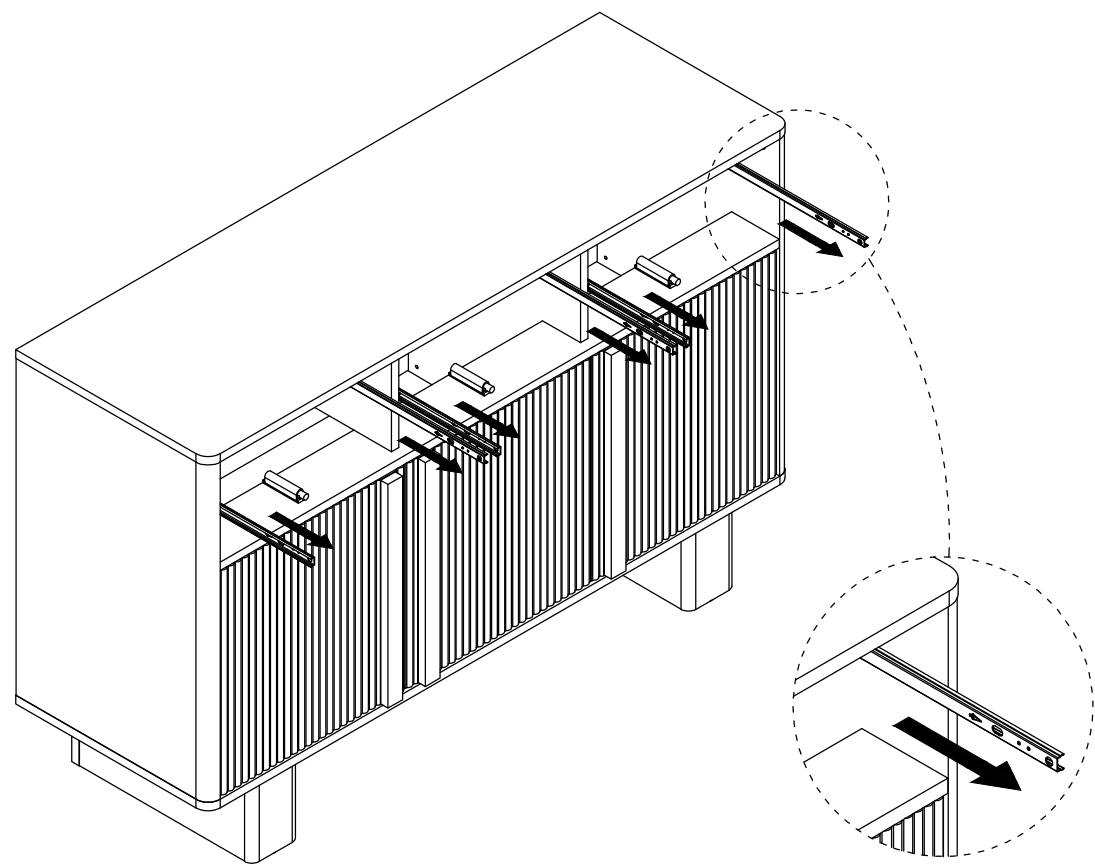
31



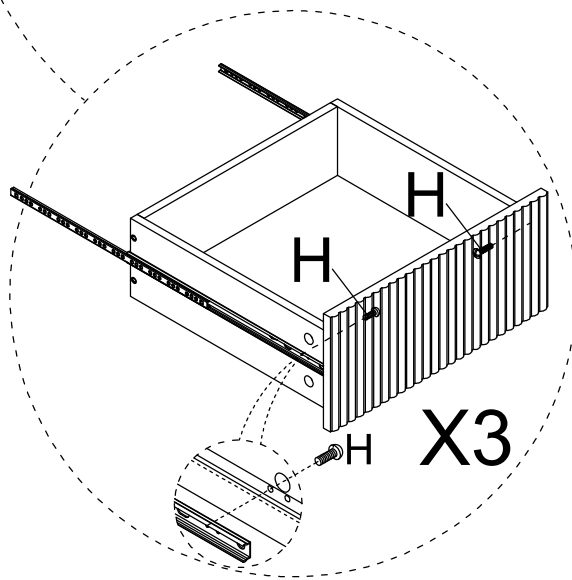
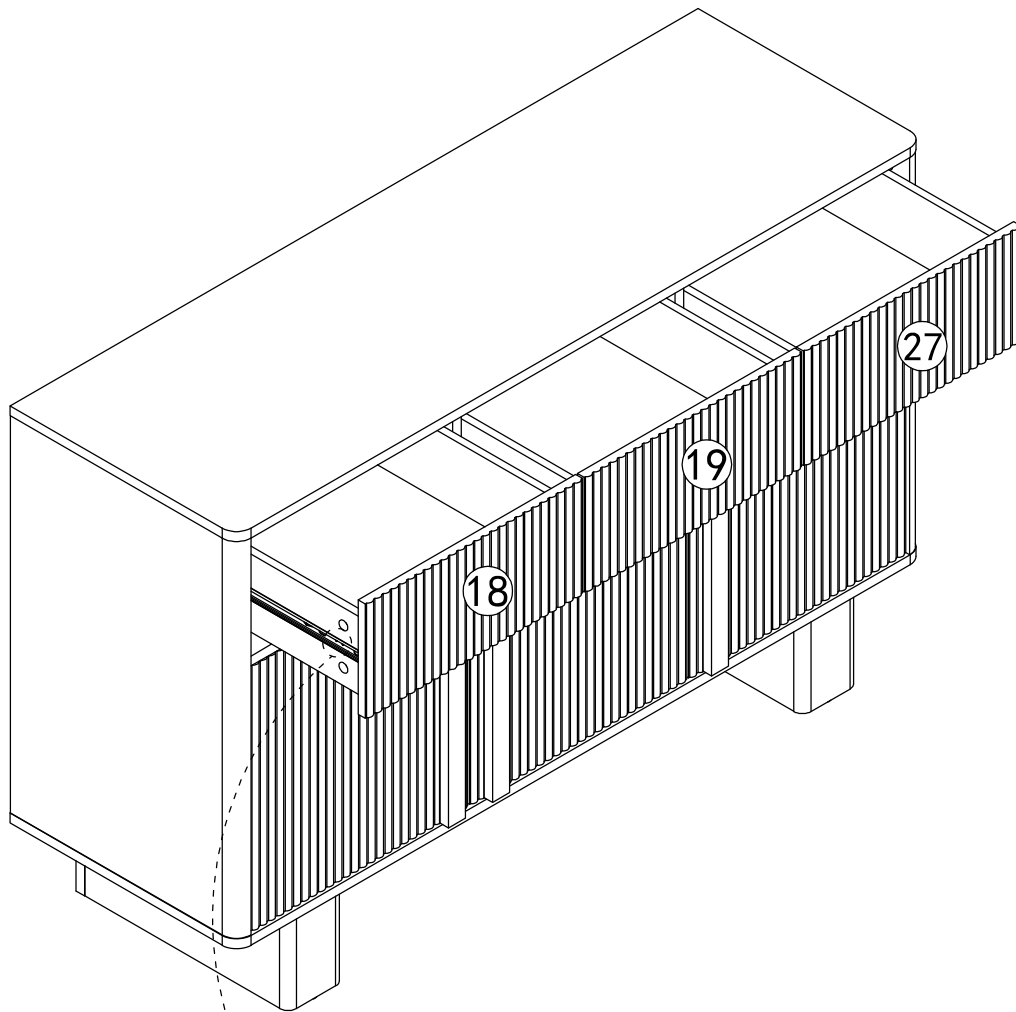
X3


A	X12	B	X12
			
M6x35mm			

32

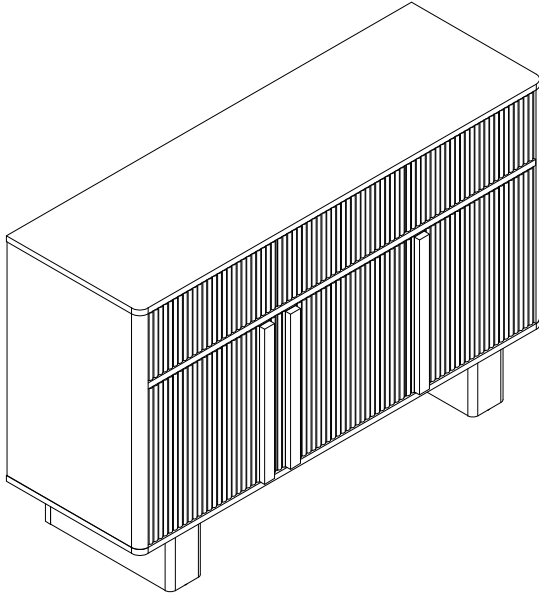


33



H	X6
	
M4x10mm	

Finished!



Congratulations, you have made it through the assembly process! We're almost there! ☆

Please perform following checks to ensure assembly is properly done.

- If drawer is misaligned, please check and ensure the screw position is correct as per step 3 & 4.

Move your product carefully, with 2 people lifting it to the preferred location. Clean the product with a dry cloth. You are all set!

Enjoy your fresh and updated living space thanks to the addition of your new product!