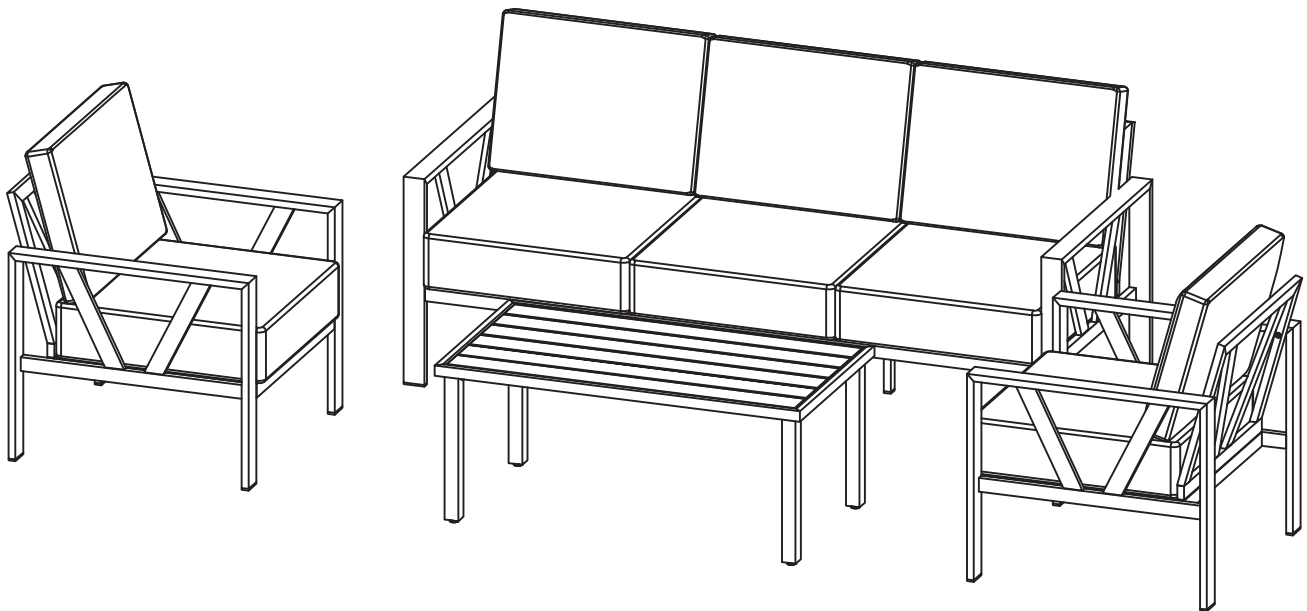




4pcs Deep Seating Set
Assembly & Care instructions
Model number: RS23063-S4

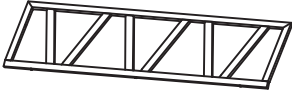
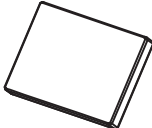
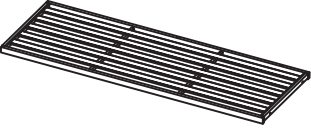



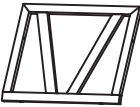



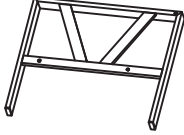
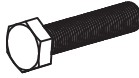
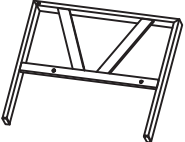

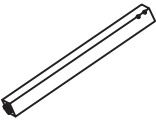


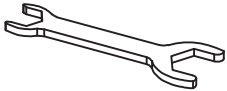
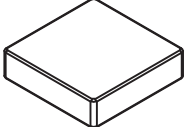




Warning

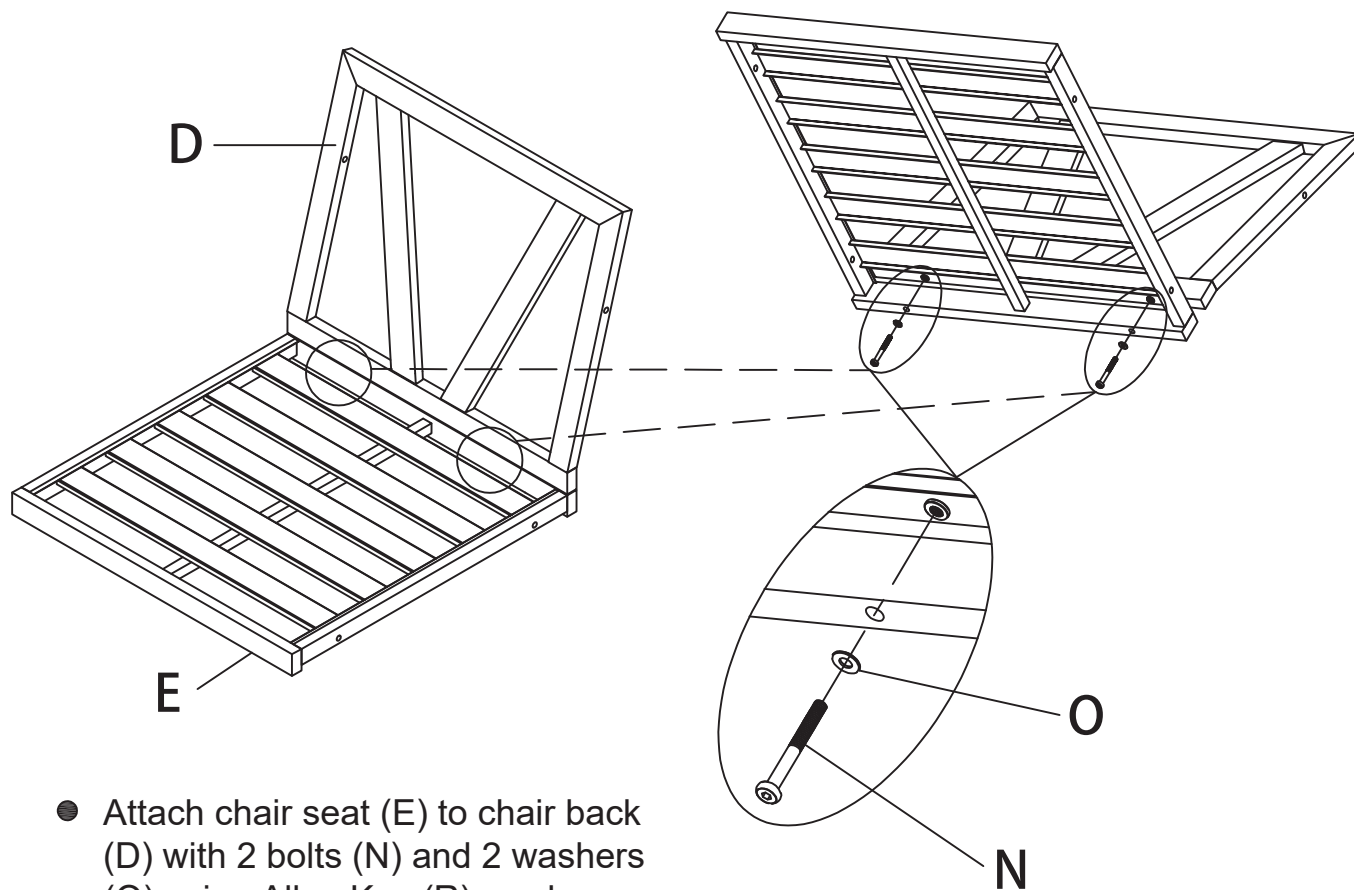
1. This set is mixed packed into 4 boxes, pls wait one more day if does not arrive on the same day.
2. Pls confirm all parts correct before assemble.
3. Do not tighten fastening fully until assembly is completed.
4. **DO NOT USE POWER TOOLS.** Power tools can overtighten screws and strip threads.
5. Please read & retain this manual for future reference.
6. Maximum Load: Single Seat 330lbs & Table 125lbs.

If you have any questions, feel free to contact us info@comlax-intl.com

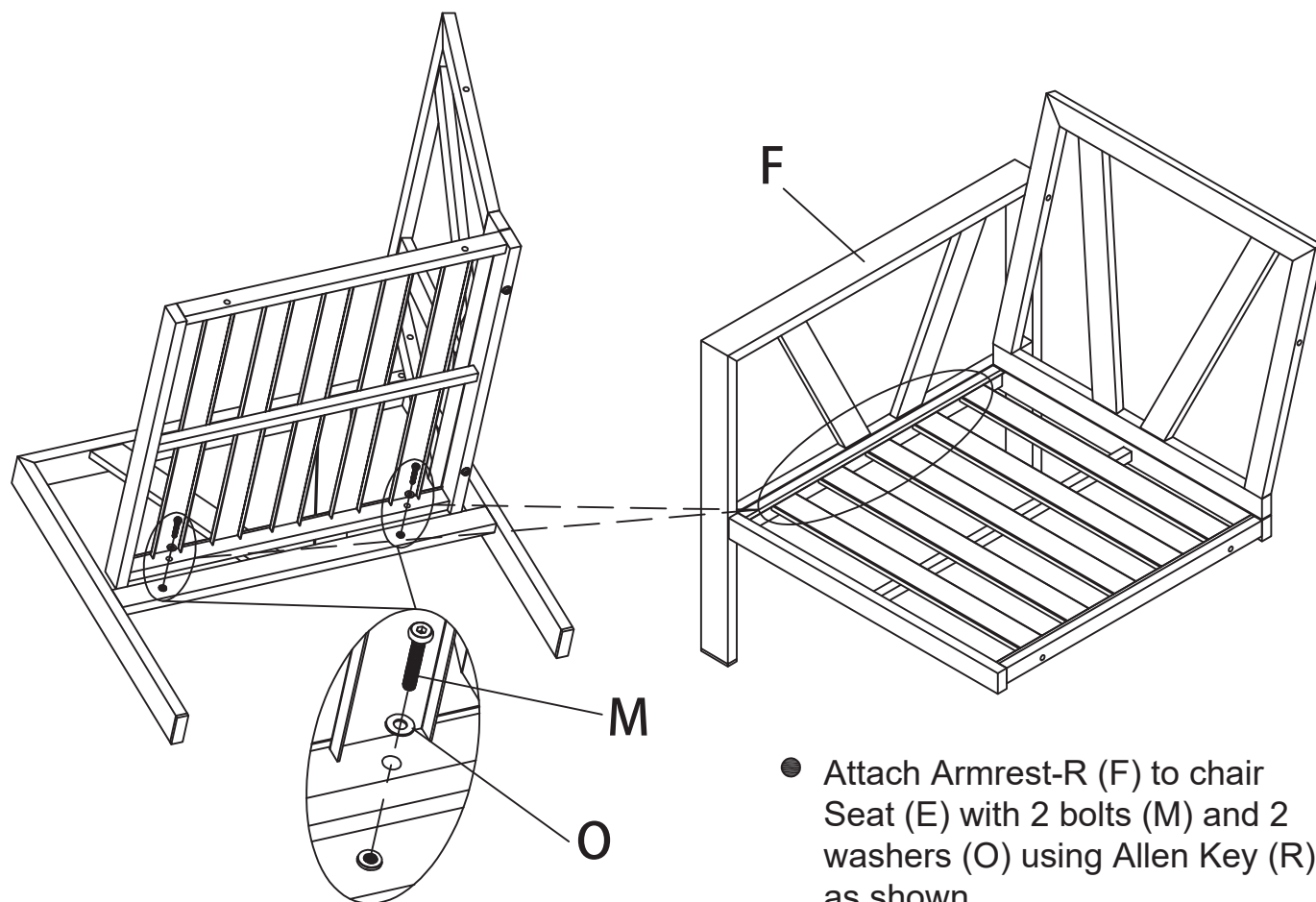
PARTS LIST

CODE	PARTS	QTY.	CODE	PARTS	QTY.
A	 3-Sofa back	1pcs	K	 Back Cushion	5pcs
B	 3-Sofa Seat	1pcs	L	 M6*20	4pcs
C	 Midfoot	1pcs	M	 M6x35	12pcs
D	 Chair Back	2pcs	N	 M6x55	13pcs
E	 Chair Seat	2pcs	O	 Washer Ø6*14	29pcs
F	 Armrest-R	3pcs	P	 M8x35	8pcs
G	 Armrest-L	3pcs	Q	 Washer Ø8*16	8pcs
H	 Table leg	4pcs	R	 Allen Key	1pcs
I	 Table Top	1pcs	S	 Spanner	1pcs
J	 Seat Cushion	5pcs	T	 Bolt Cap (M6)	29pcs
			U	 Bolt Cap (M8)	8pcs

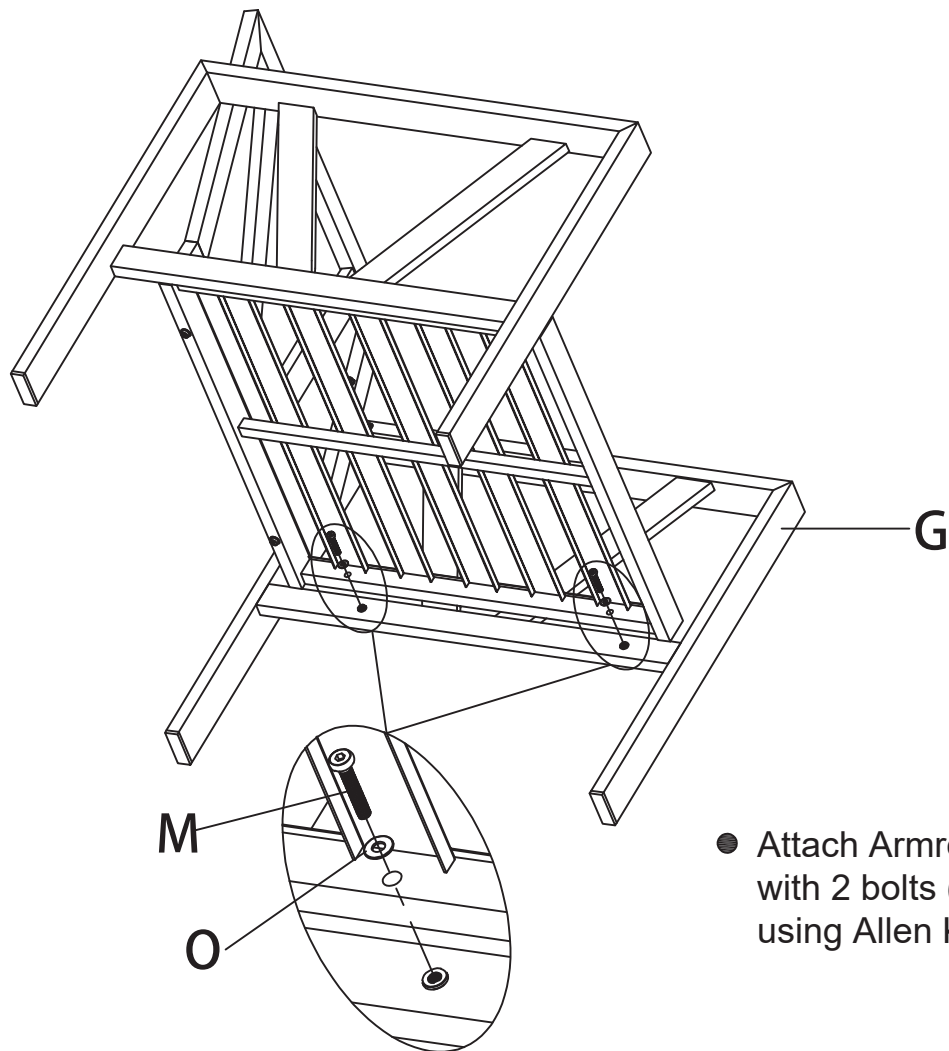
ATTENTION: Do not fully tighten until assembly is complete!



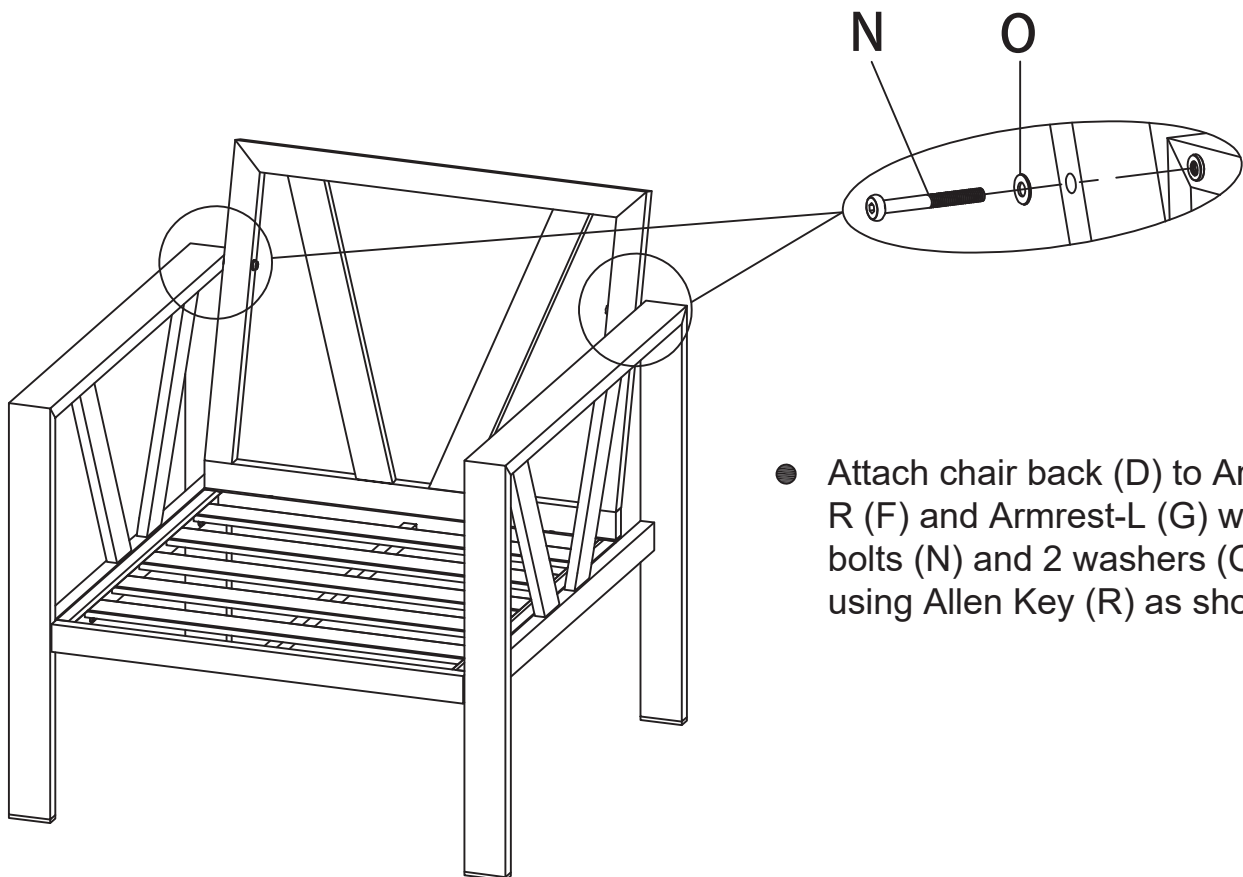
- Attach chair seat (E) to chair back (D) with 2 bolts (N) and 2 washers (O) using Allen Key (R) as shown.



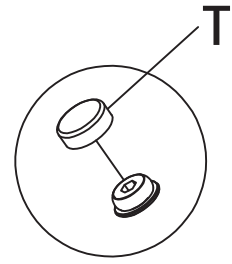
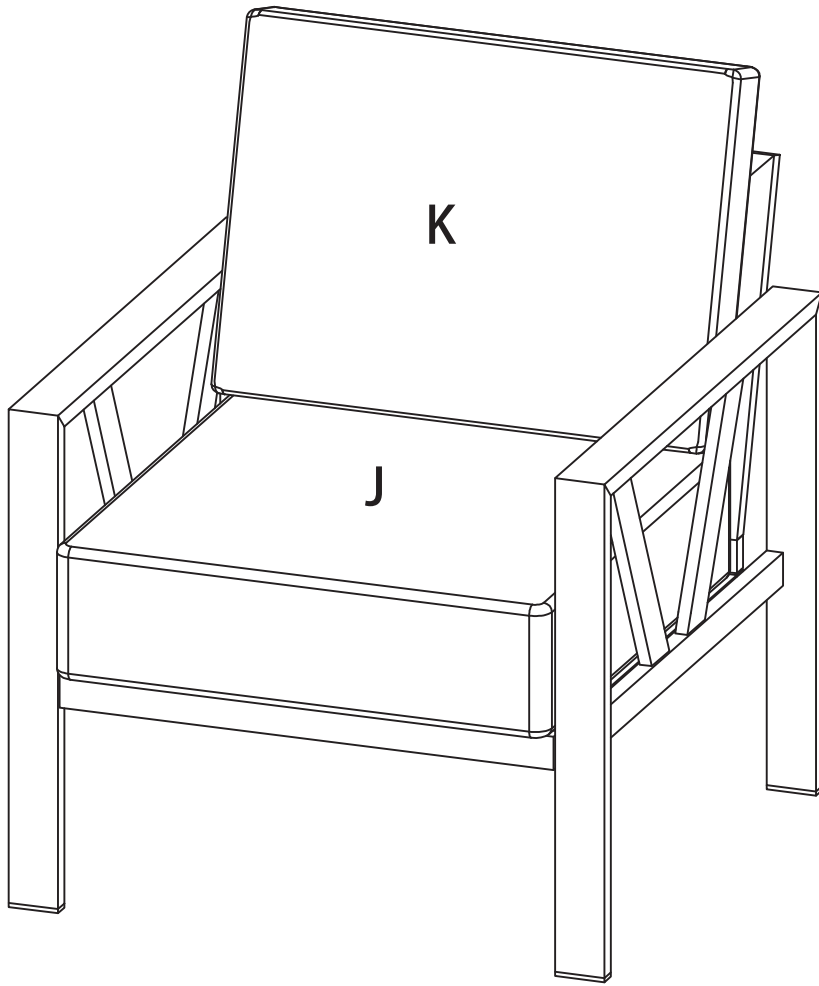
- Attach Armrest-R (F) to chair Seat (E) with 2 bolts (M) and 2 washers (O) using Allen Key (R) as shown.



- Attach Armrest-L (G) to chair Seat (E) with 2 bolts (M) and 2 washers (O) using Allen Key (R) as shown.

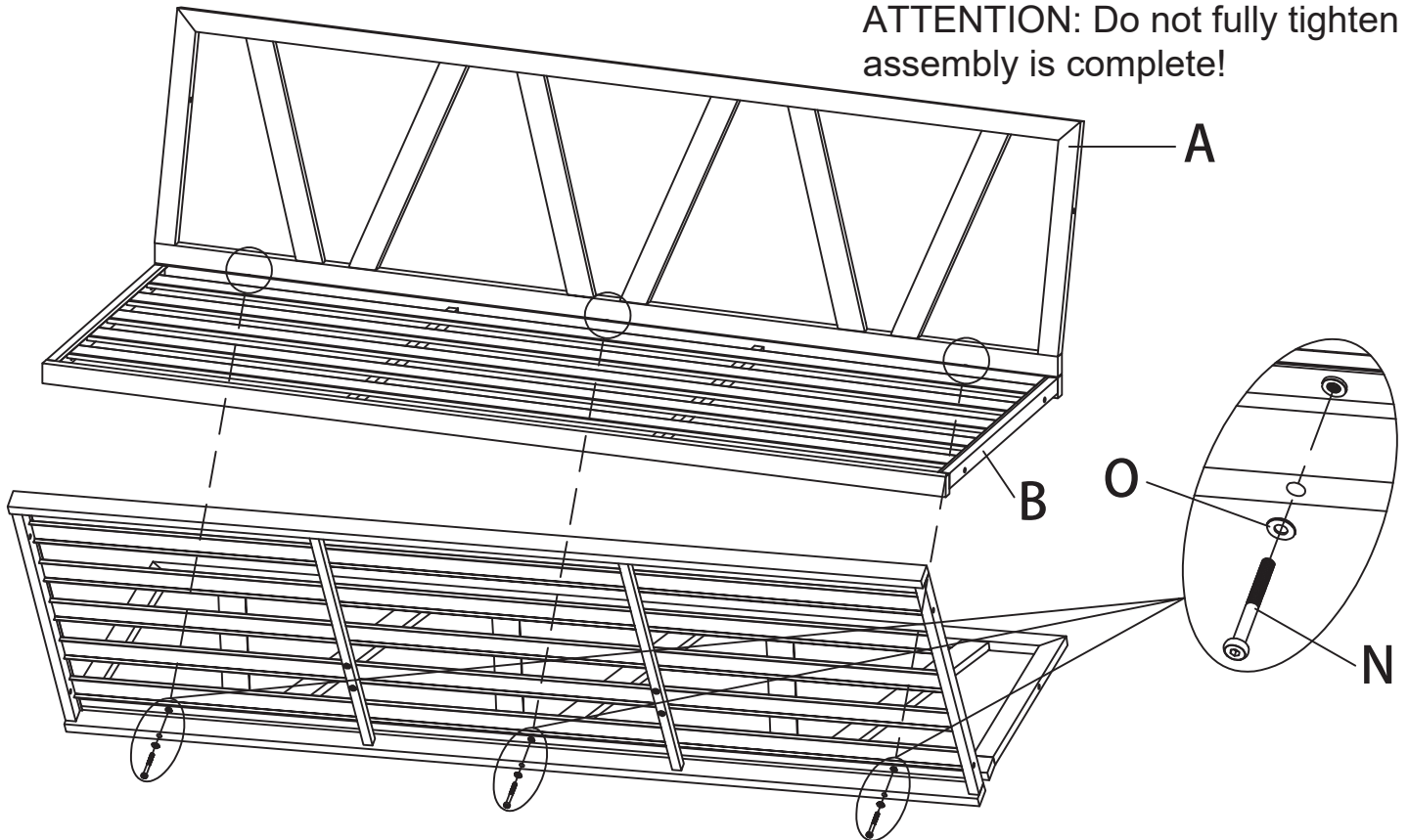


- Attach chair back (D) to Armrest-R (F) and Armrest-L (G) with 2 bolts (N) and 2 washers (O) using Allen Key (R) as shown.

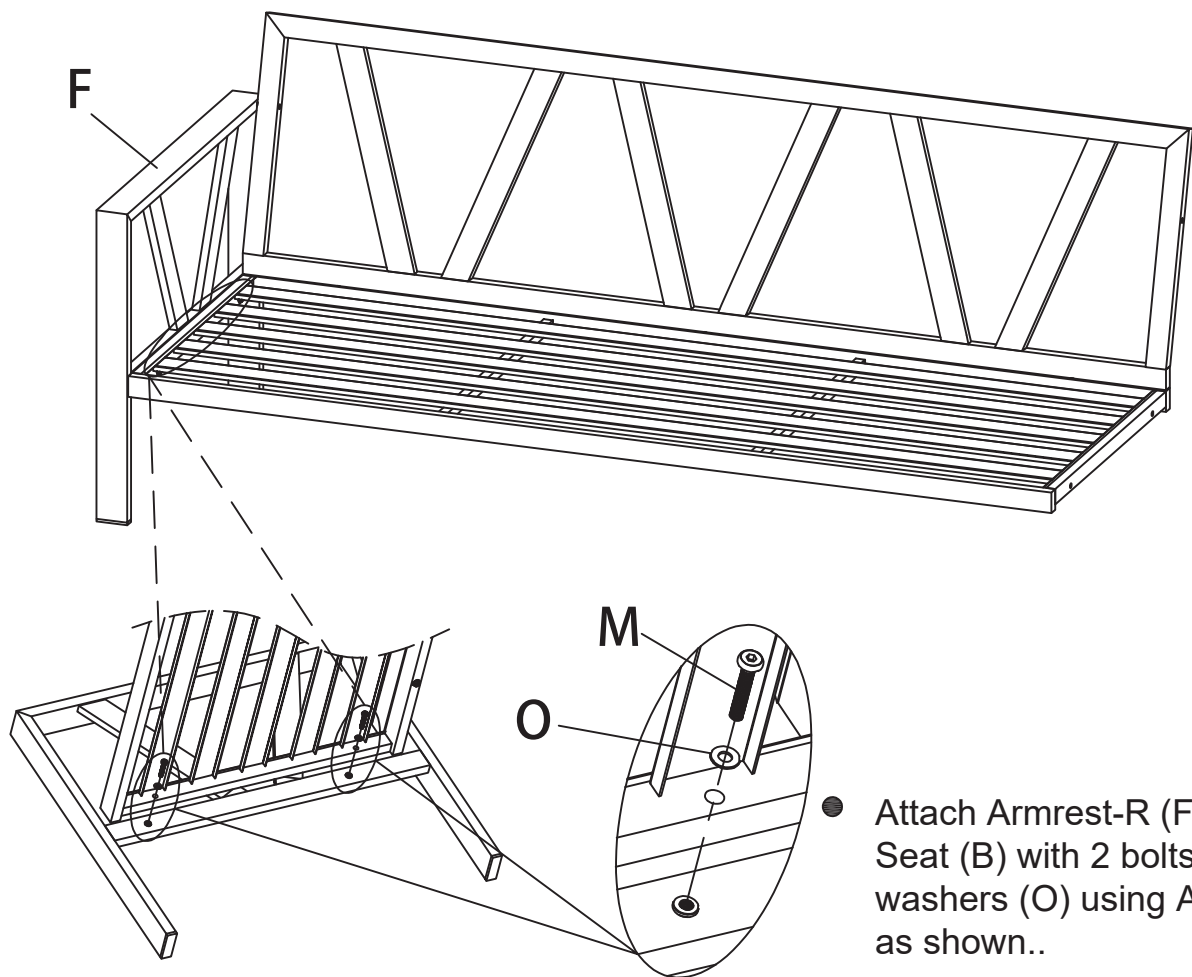


- Once all bolts have been inserted and started, then tighten all bolts and put on all bolt caps (T).
- Place seat cushion (J) and back cushion (K) as shown.

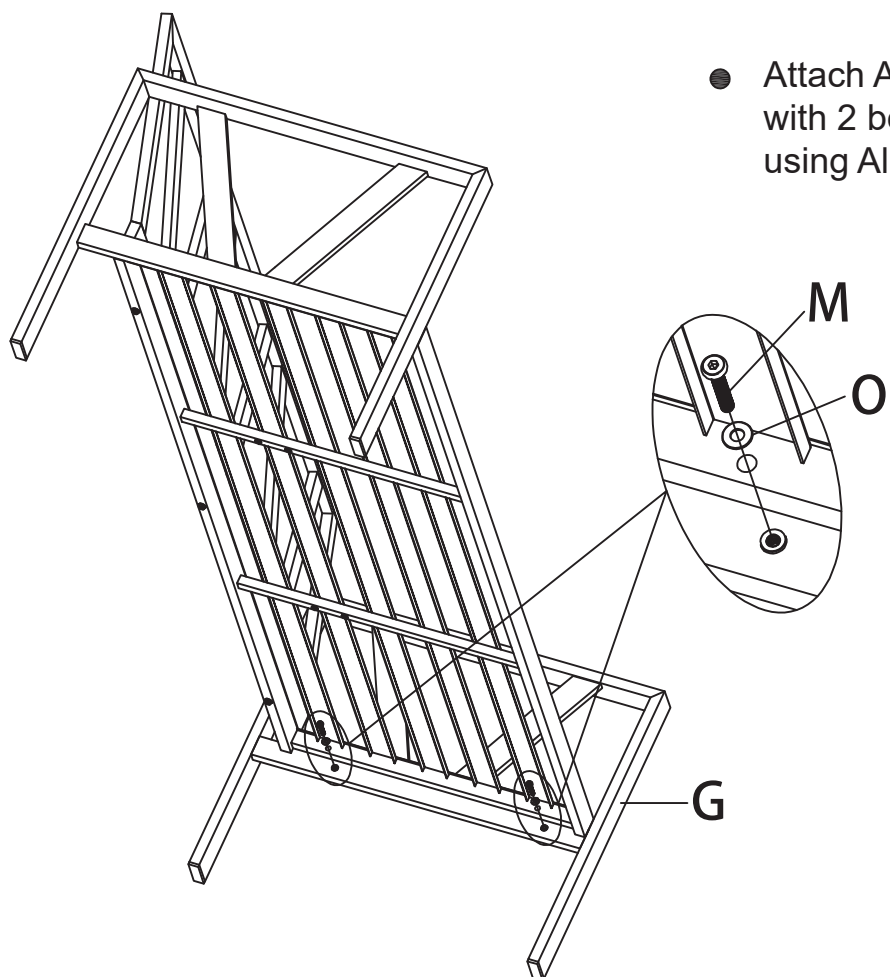
ATTENTION: Do not fully tighten until assembly is complete!



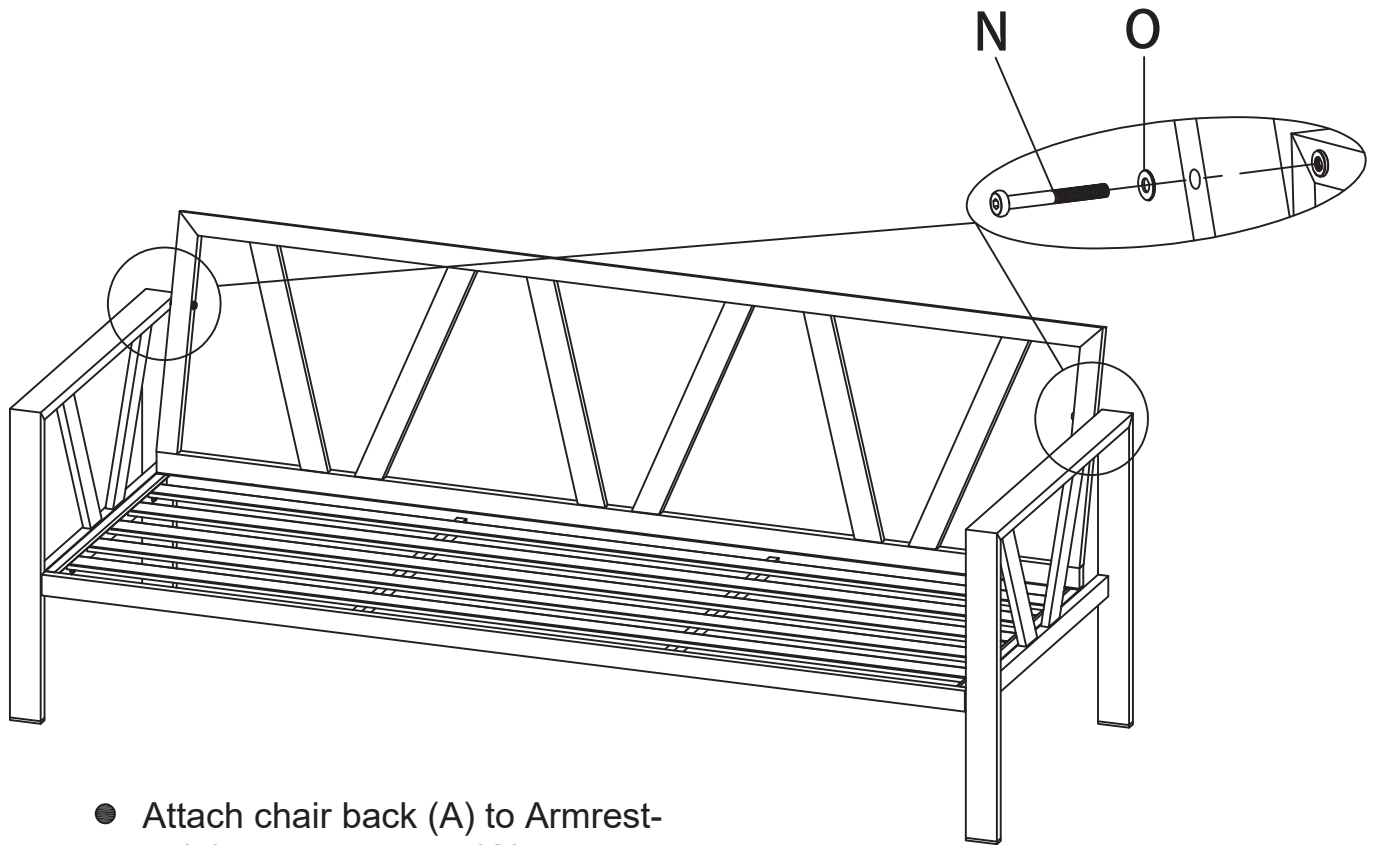
- Attach 3 Sofa seat (B) to 3 Sofa back (A) with 3 bolts (N) and 3 washers (O) using Allen Key (R) as shown.



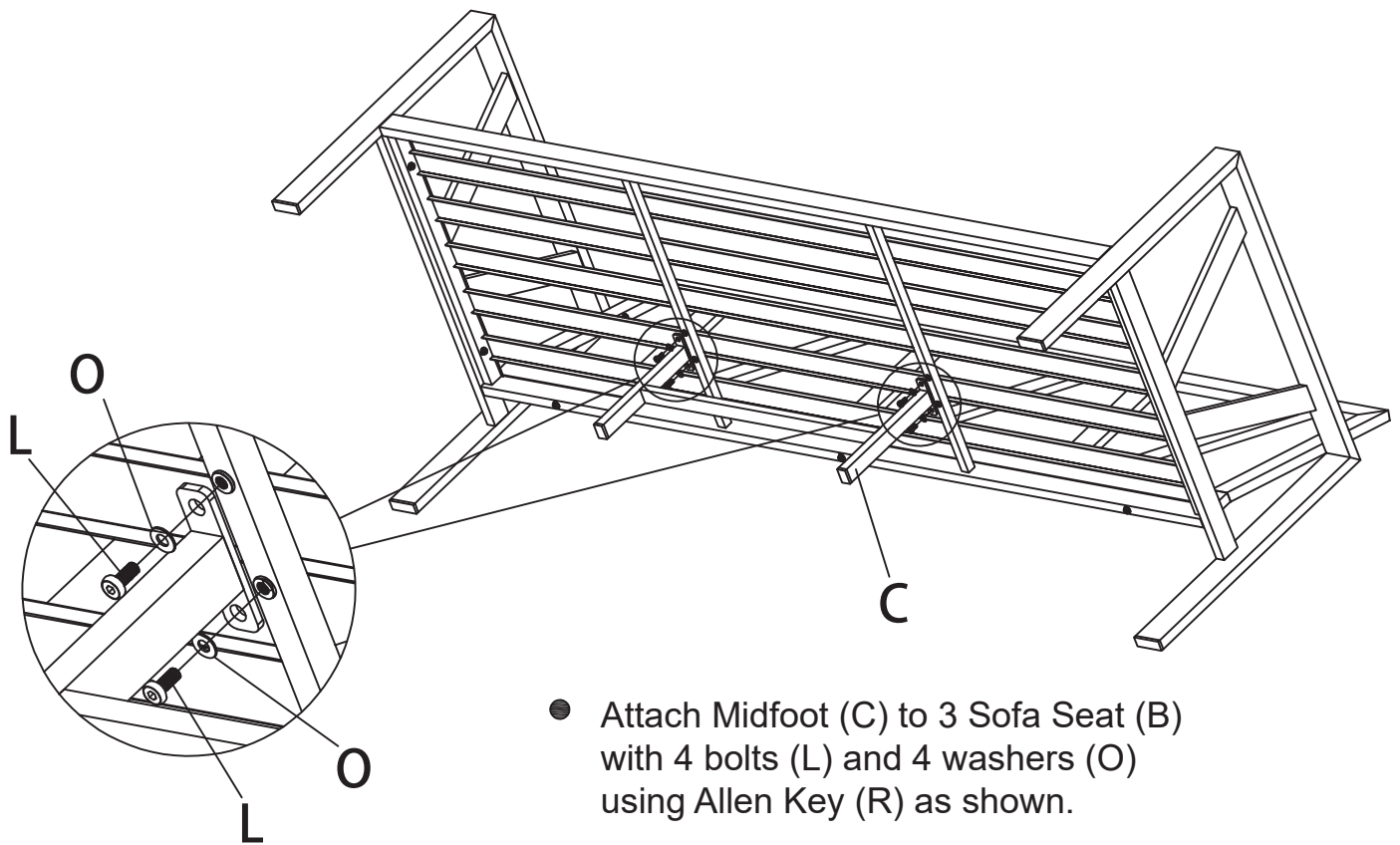
● Attach Armrest-R (F) to 3 Sofa Seat (B) with 2 bolts (M) and 2 washers (O) using Allen Key (R) as shown..



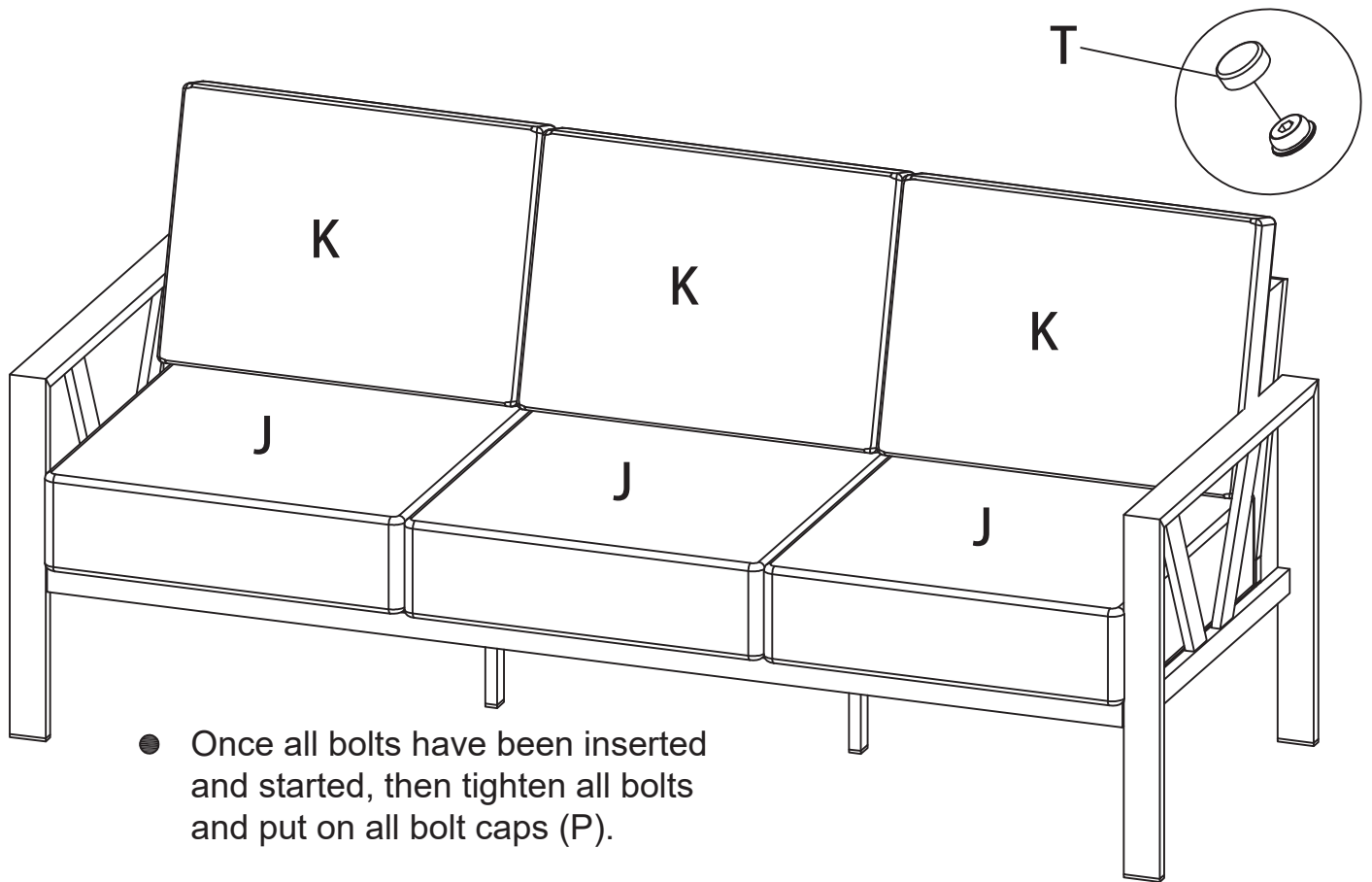
● Attach Armrest-L (G) to 3 Sofa Seat (B) with 2 bolts (M) and 2 washers (O) using Allen Key (R) as shown.



- Attach chair back (A) to Armrest-R (F) and Armrest-L (G) with 2 bolts (N) and 2 washers (O) using Allen Key (R) as shown.

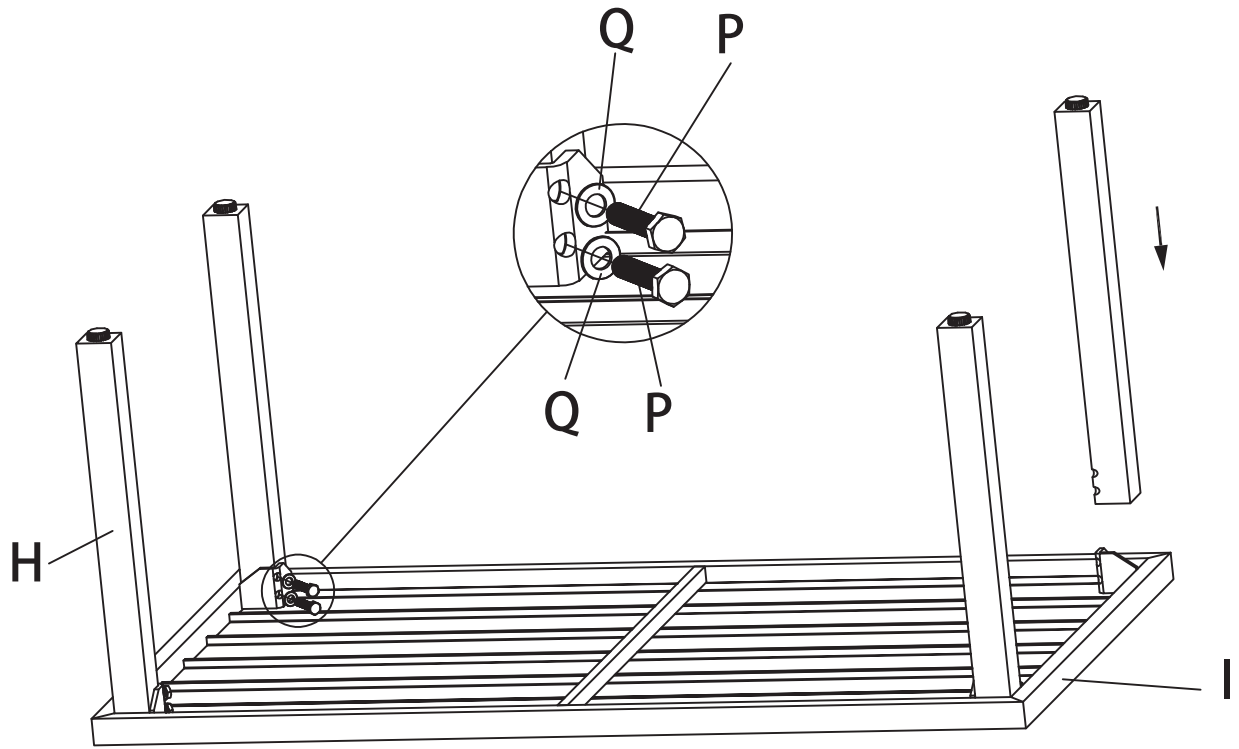


- Attach Midfoot (C) to 3 Sofa Seat (B) with 4 bolts (L) and 4 washers (O) using Allen Key (R) as shown.
- Once all bolts have been inserted and started, then tighten all bolts.



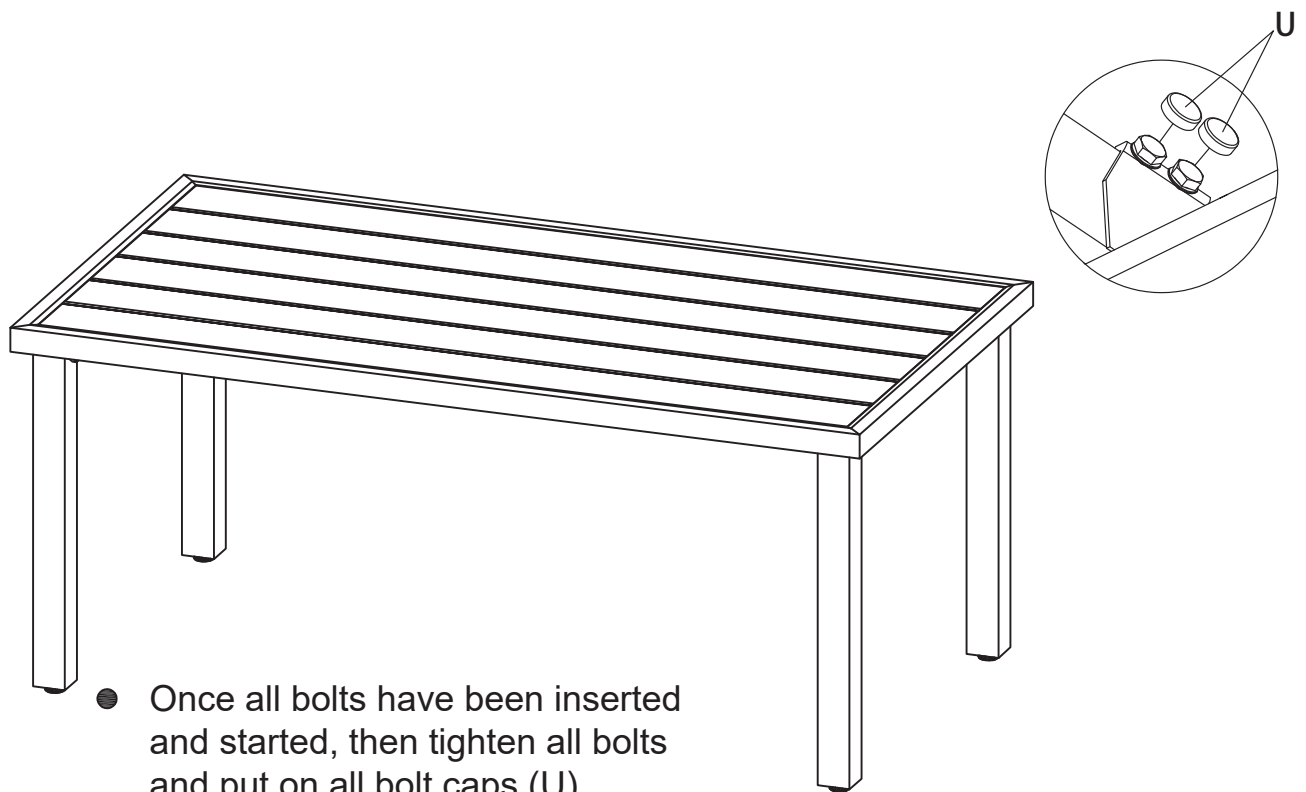
- Once all bolts have been inserted and started, then tighten all bolts and put on all bolt caps (P).
- Place seat cushion (J) and back cushion (K) as shown.

ATTENTION: Do not fully tighten until assembly is complete!



- Attach 4 Table legs (H) to Table Top (I) with 8 bolts (P) and 8 washers (Q) using Spanner (S) as shown.

- Once all bolts have been inserted and started, then tighten all bolts.



- Once all bolts have been inserted and started, then tighten all bolts and put on all bolt caps (U).
- Level the table with adjustable feet cap if necessary.



Thanks for choosing Comlax FIELD collection.
If you have any questions, inquires or
suggestions, pls contact us directly.

Always best services stand by.

Customer service email: info@comlax-intl.com

Attention: Products returned directly without
permission will be rejected!

⚠ WARNING: This product can expose you to chemicals including Di(2-ethylhexyl) phthalate (DEHP), which is known to the State of California to cause cancer, and birth defects or other reproductive harm. For more information go to www.P65Warnings.ca.gov.