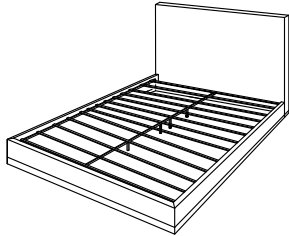
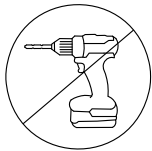


ASSEMBLY INSTRUCTIONS

Bed- Q / F



+ **Do Not Use Power Tools**



+ **Suggested Adults**



NOTE:

- 1 Read instructions cover to cover.
- 2 Save all packaging until assembly is completed.

1 IMPORTANT SAFETY INFORMATION

Do not assemble the product if any of the following parts arrived damaged:

- | | |
|-----------------------------------|---|
| Part#1 -HeadBoard | Part #7 -Center leg |
| Part #2 -FootBoard | |
| Part #3 -Wood strip for Side rail | |
| Part #4 -Center support rails | |
| Part #5 -Side rail | Part #8 -Wood Block on Headboard &Footboard |
| Part #6 -Slats | |

Do not assemble if any of the following Hardware parts are missing:

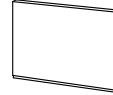
- | | |
|-----------------------|-------------------------|
| Part#B,E,H -Bolt | Part#D,J -Lock washer |
| Part #A -Allen Key | Part # G -Metal bracket |
| Part# C,I-Flat washer | Part# F-screw |

2 IMPORTANT ASSEMBLY INFORMATION

Assembly Step If loosening persists, please make sure to tighten all the bolts periodically, or use a thread locker adhesive.

+ Parts Included

① HeadBoard
(1 pc)



② FootBoard
(1 pcs)



③ Wood strip for Side rail
(2 pcs)



④ Center support rails
(1 pcs)



⑤ Side rail
(2 pcs)



⑥ Slats
(13 pcs)



⑦ Center leg
(4 pcs)



⑧ Wood Block on Headboard &Footboard
(2 pcs)



+ Hardware Included

A Ø5/16"
(1 pc)



B Ø5/16"*3/4"
(24 pcs)



C Ø5/16"
(36 pcs)



D Ø5/16"*3/4"
(36 pcs)



E Ø1/4"*2 1/2"
(6 pcs)



F M6*35mm
(28 pcs)



G Metal bracket
(4 pcs)



H Ø5/16"*2"
(12 pcs)



I Ø1/4"
(6 pcs)



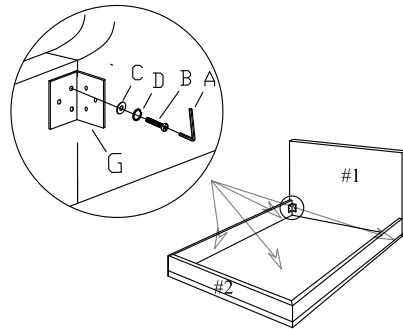
J Ø1/4"
(6 pcs)



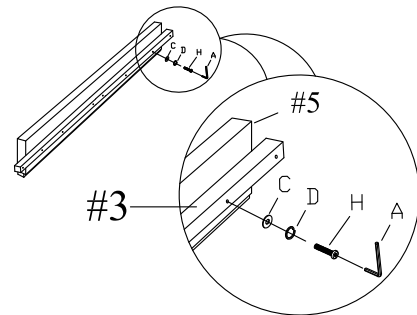
ASSEMBLY INSTRUCTIONS

Bed- Q / F

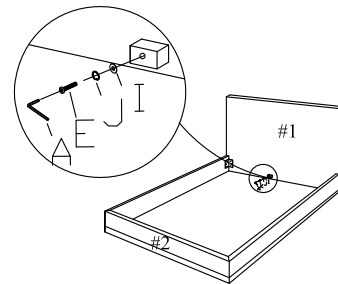
- 1** Attach #G Metal bracket to side rail and Headboard #1 & Footboard #2 with Bolt (B), Lock washer (D) and Flat Washer(C). Tighten with Allen Key(A).



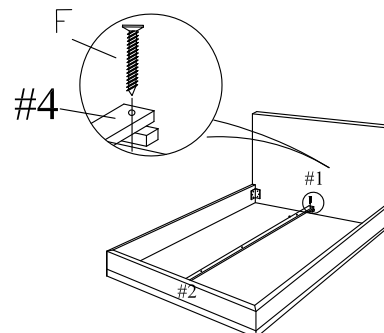
- 2** Attach #3 Wood strip for Side rail to Side rail #5 with Bolt (H), Lock washer (D) and Flat Washer(C). Tighten with Allen Key(A).



- 3** Attach Wood Block #8 to Headboard #1 & Footboard #2 with Bolt (E), Lock washer (J) and Flat Washer(I). Tighten with Allen Key(A).



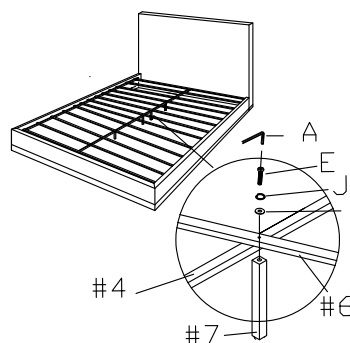
- 4** Attach #4 Center support rails to Headboard #1 & Footboard #2 By screw F.



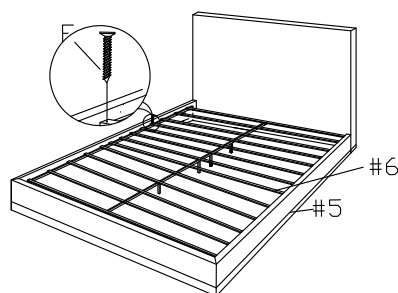
ASSEMBLY INSTRUCTIONS

Bed- Q / F

- 5 Attach Center Leg #7 to Center support rail #4 & slats #6 with Bolt (E), Lock washer (J) and Flat Washer(I). Tighten with Allen Key(A).



- 6 Attach Slats #6 to Side rail #5 by screw #F



- 7 Done

