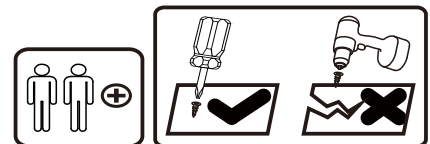
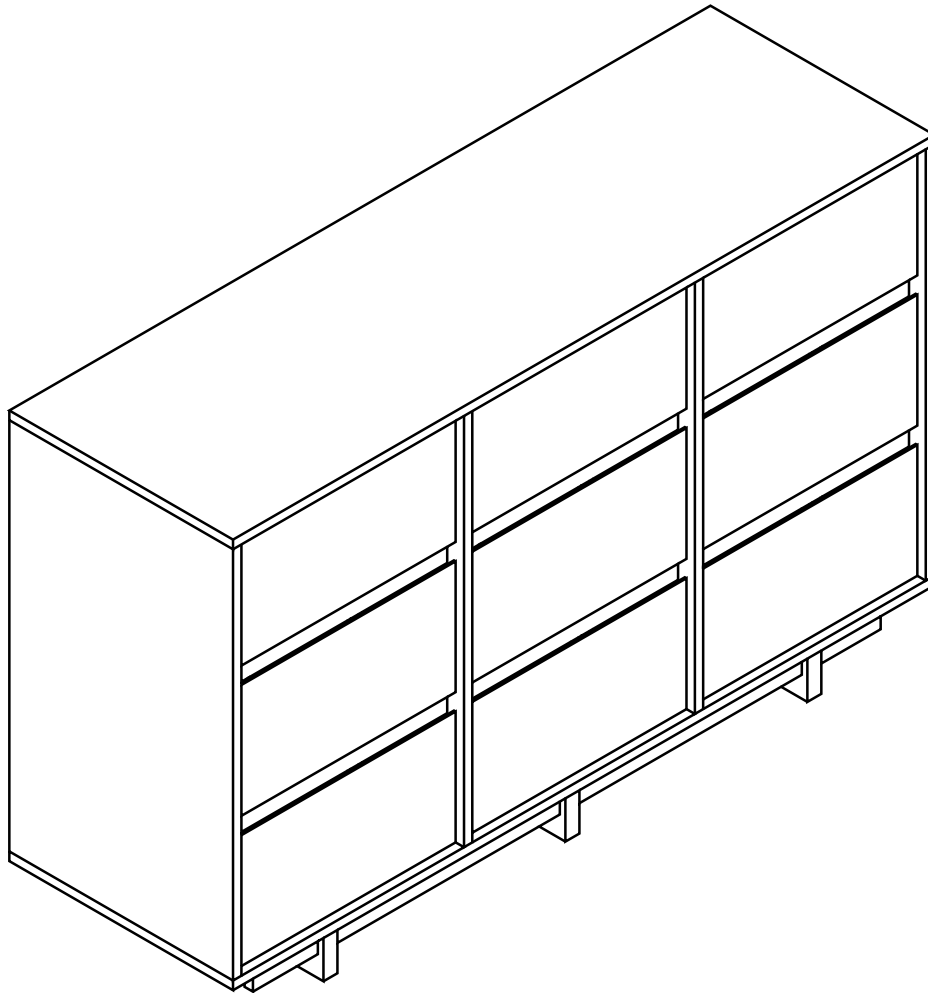


ASSEMBLY INSTRUCTIONS



Tools Recommended

THIS INSTRUCTIONS CONTAINS IMPORTANT SAFETY INFORMATION.
PLEASE READ BEFORE ASSEMBLY AND KEEP FOR FUTURE REFERENCE.

Need Parts or Assistance? Email us at support@homejoyee.com

IMPORTANT NOTICE

- This product contains small components, please ensure that they are kept away from small children.
- THIS INSTRUCTIONS CONTAINS IMPORTANT SAFETY INFORMATION. PLEASE READ BEFORE ASSEMBLY AND KEEP FOR FUTURE REFERENCE.
- Read each step carefully. It is very important that each step of instruction is performed in the correct order. If these steps are not followed in sequence, assembly difficulties will occur.
- Make sure all parts are included. Most parts are labelled or stamped on the raw edge.
- Work in spacious area, preferably on a carpet, near the place the unit will be used.
- Do not use power tools to assemble your furniture. Power tools may strip or damage the parts.
- Move your new furniture carefully, with two people lift and carry the unit to it's new location.
- Never push, drag or pull your furniture (especially on carpet)



PLEASE DO NOT RETURN PRODUCT TO US IMMEDIATELY

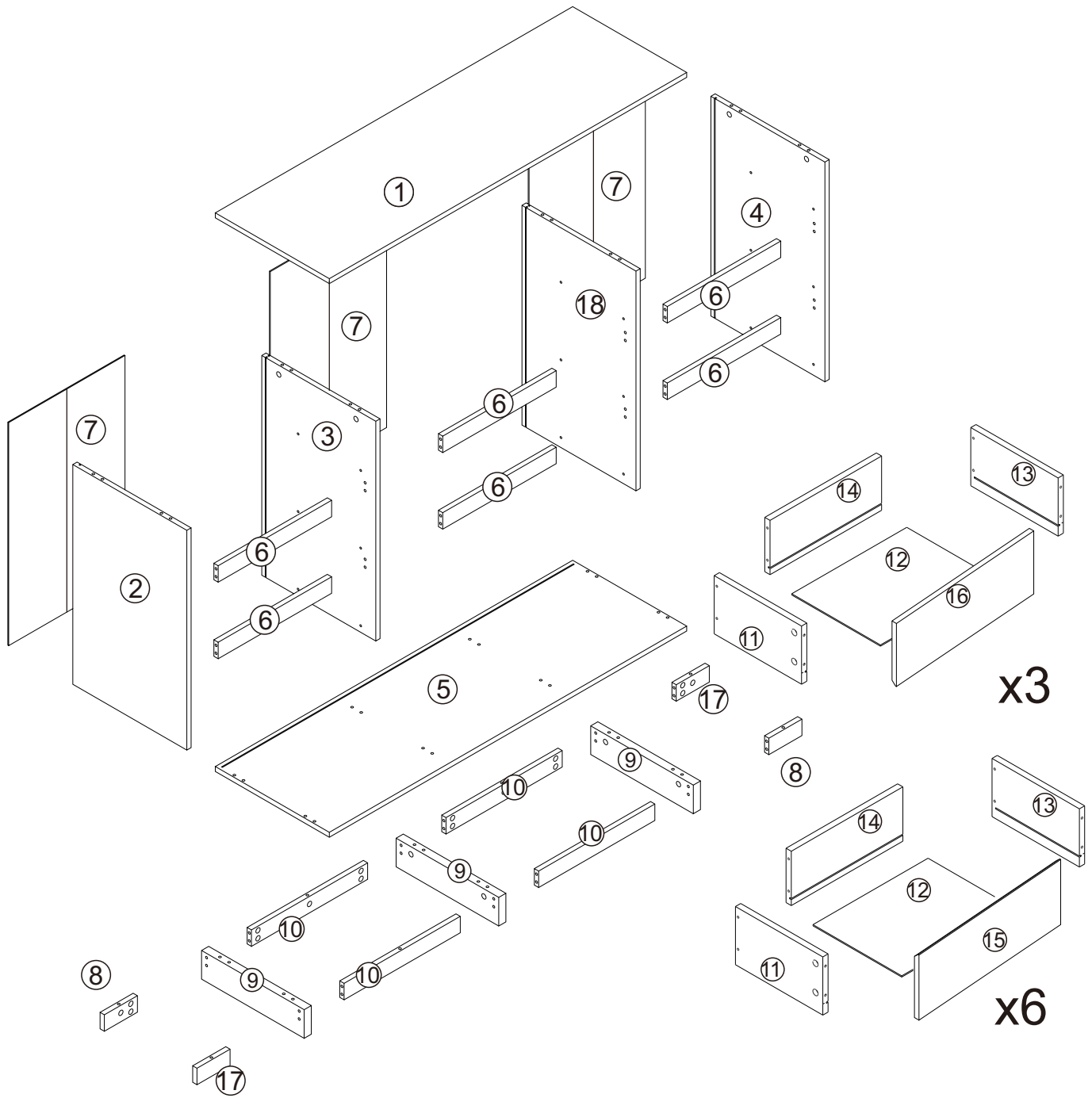
If a part is missing or damaged, email our customer service. We will gladly ship your replacement parts FREE of charge.













Need Parts or Assistance? Email us at [**support@homejoyee.com**](mailto:support@homejoyee.com)

For Prompt, reliable service, please have your assemble instruction ready.

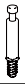



 WARNING	
	<p>Children have died from furniture tipover. To reduce the risk of furniture tipover:</p> <ul style="list-style-type: none">• ALWAYS install tipover restraint provided.• NEVER put a TV on this product.• NEVER allow children to stand, climb or hang on drawers, doors, or shelves.• NEVER open more than one drawer at a time.• Place heaviest items in the lowest drawers.
	

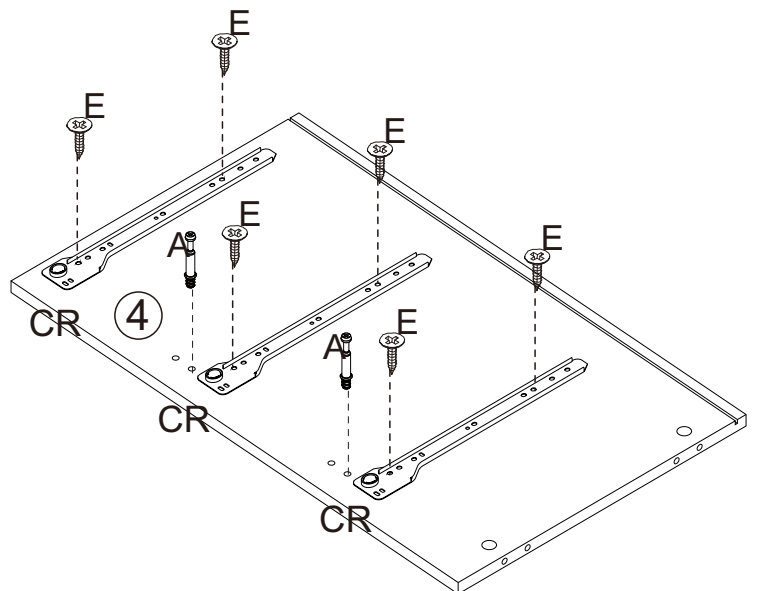
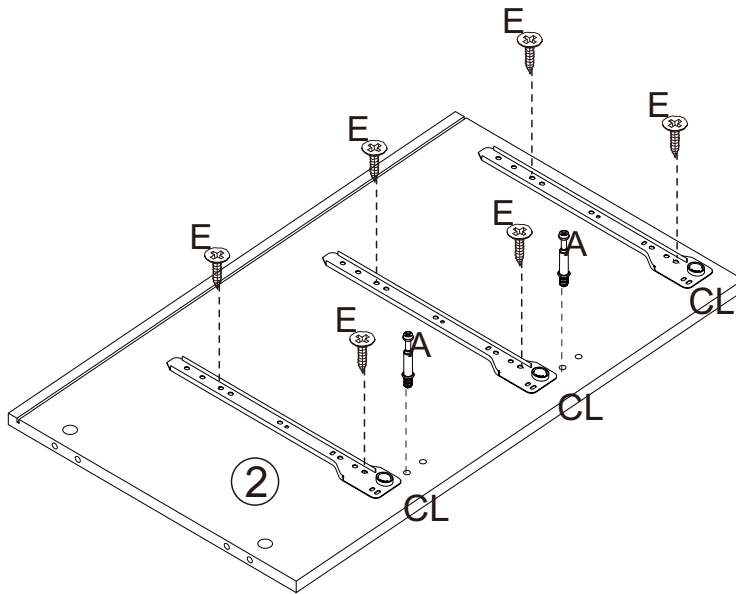
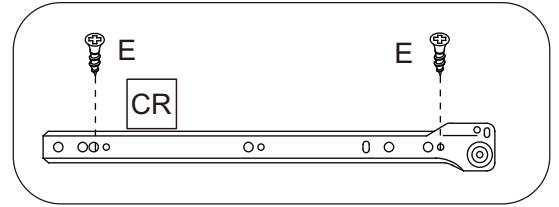
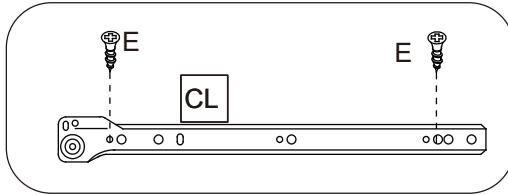
Assembly Instructions



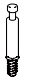



A	X 94	B	X 94	C	X 34	D	X 8	E	X 72	F	X 12	G	X 36
													
M6*35		φ15*10		φ6*30		Mx4*40		M3*12		M3*16		M4*30	
CL	X 9	CR	X 9	DL	X 9	DR	X 9	J	X 2				
													

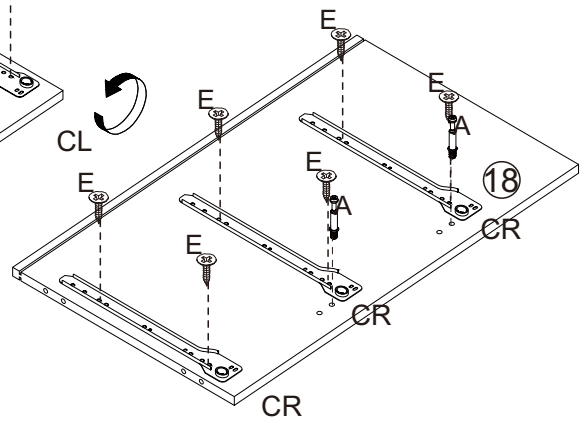
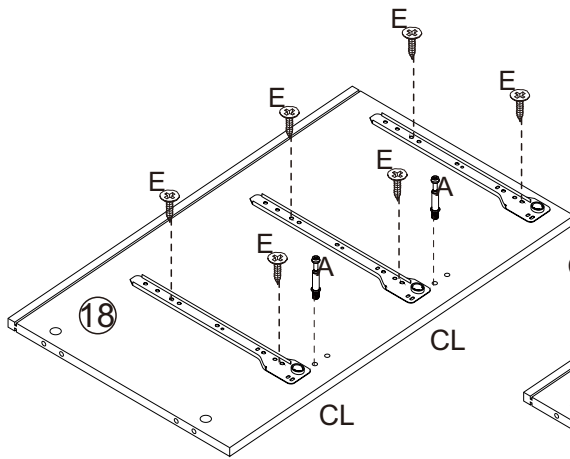
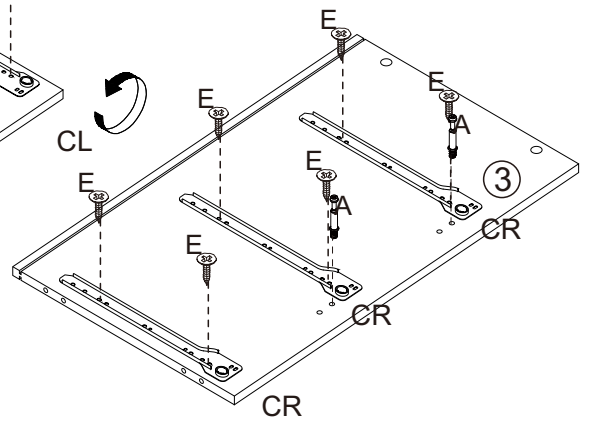
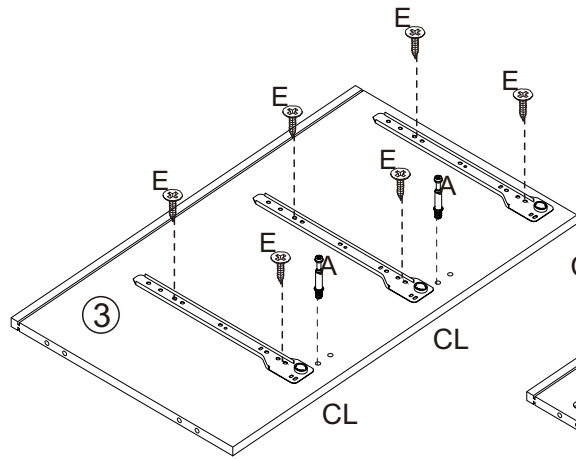
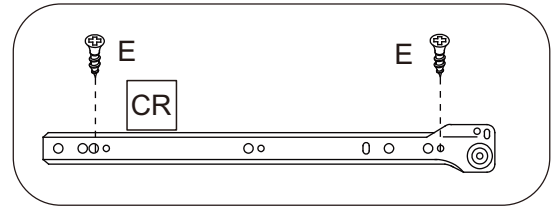
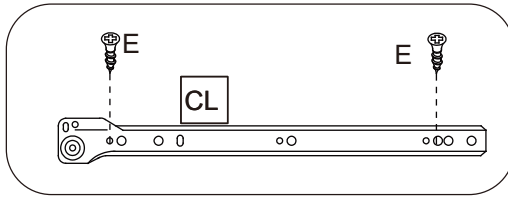
STEP 1

A	X 4
	
M6*35	
E	X 12
	
M3*12	
CL	X 3
	
CR	X 3
	





STEP 2

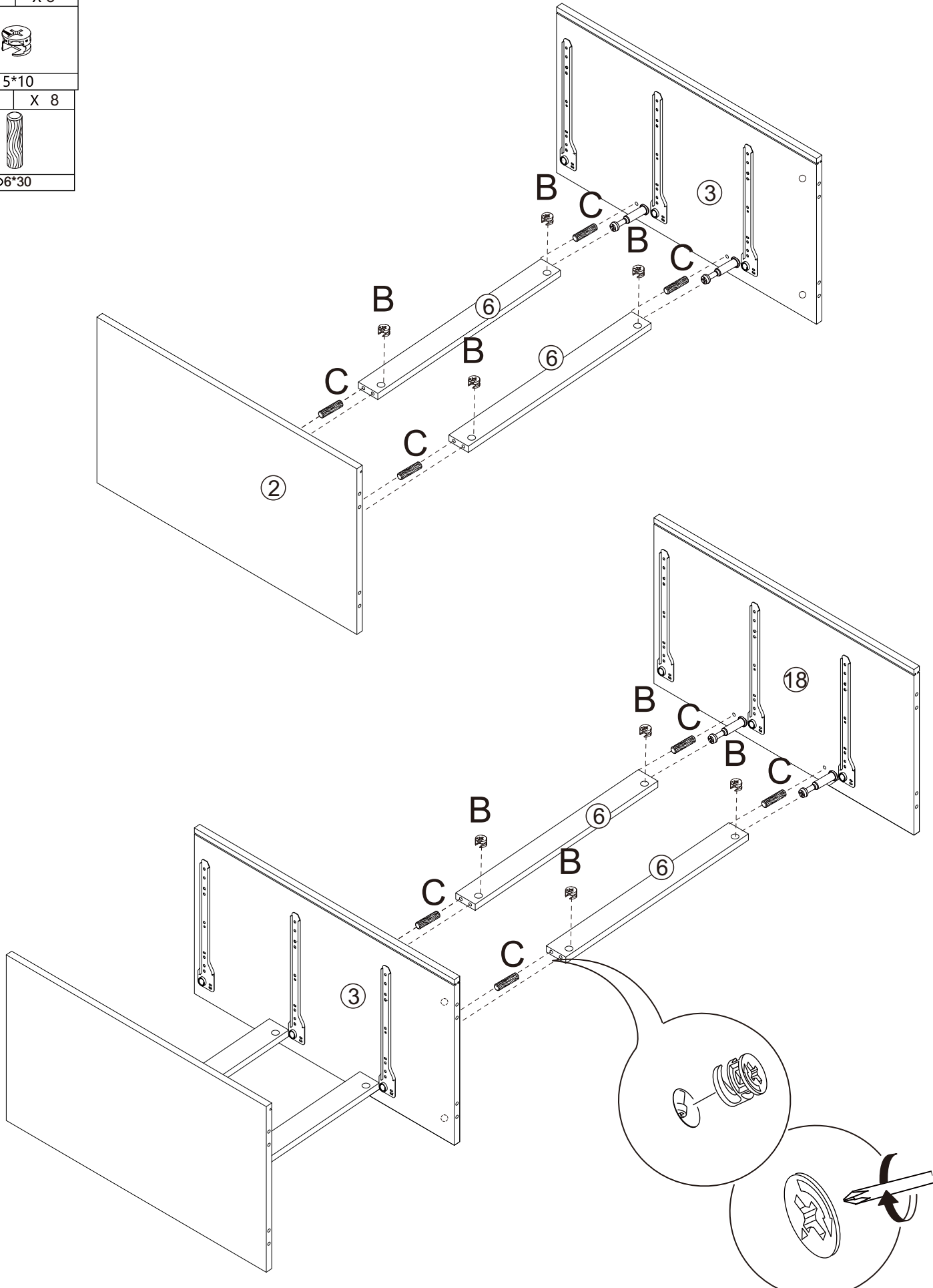
A	X8
	
M6*35	
E	X24
	
M3*12	
CL	X6
	
CR	X6
	





The product only includes one piece each of the 3 and 18 boards. The arrows indicate a 180° flip, with no other meanings.

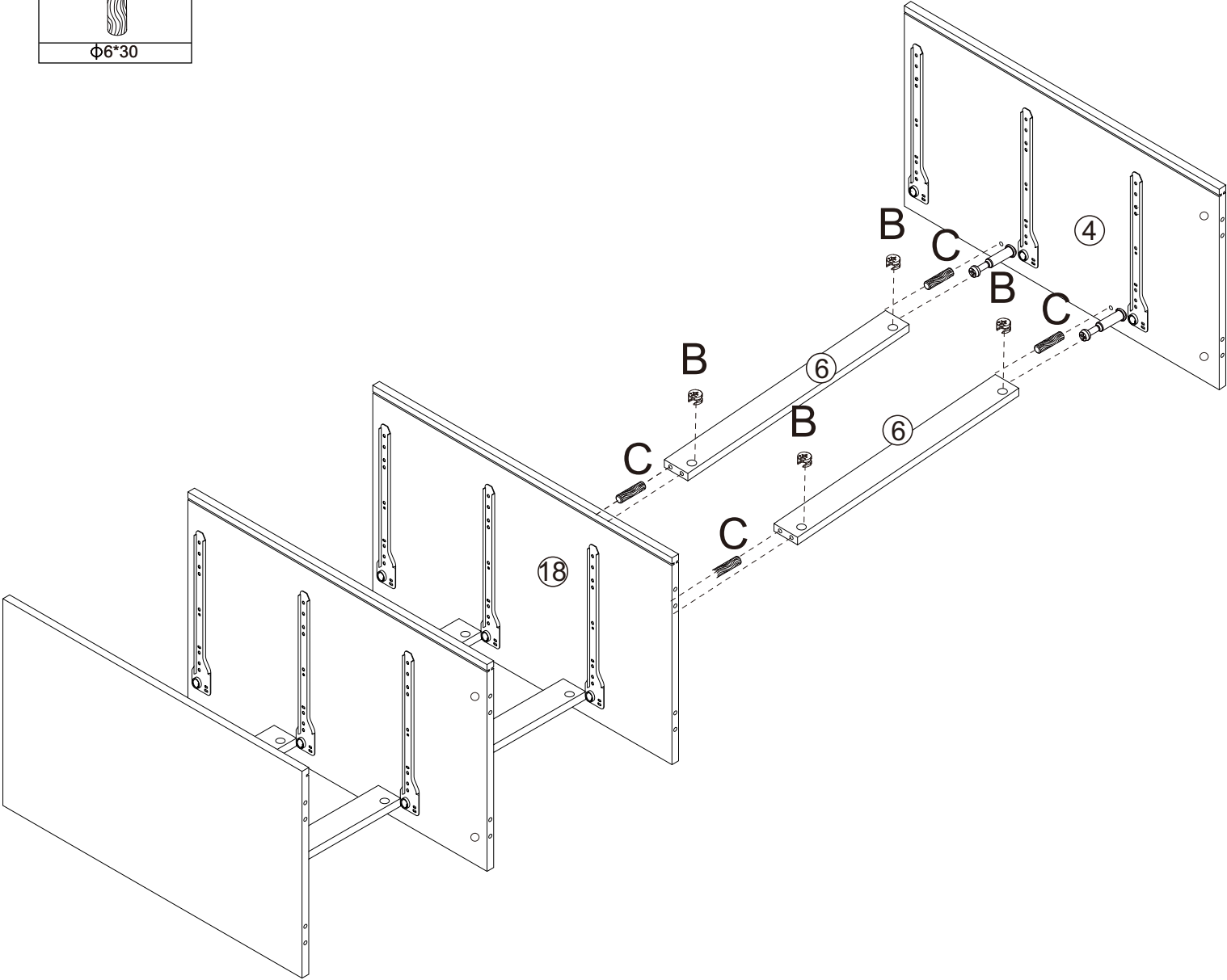
STEP 3

B	X 8
	
Φ15*10	
C	X 8
	
Φ6*30	

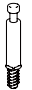



STEP 4

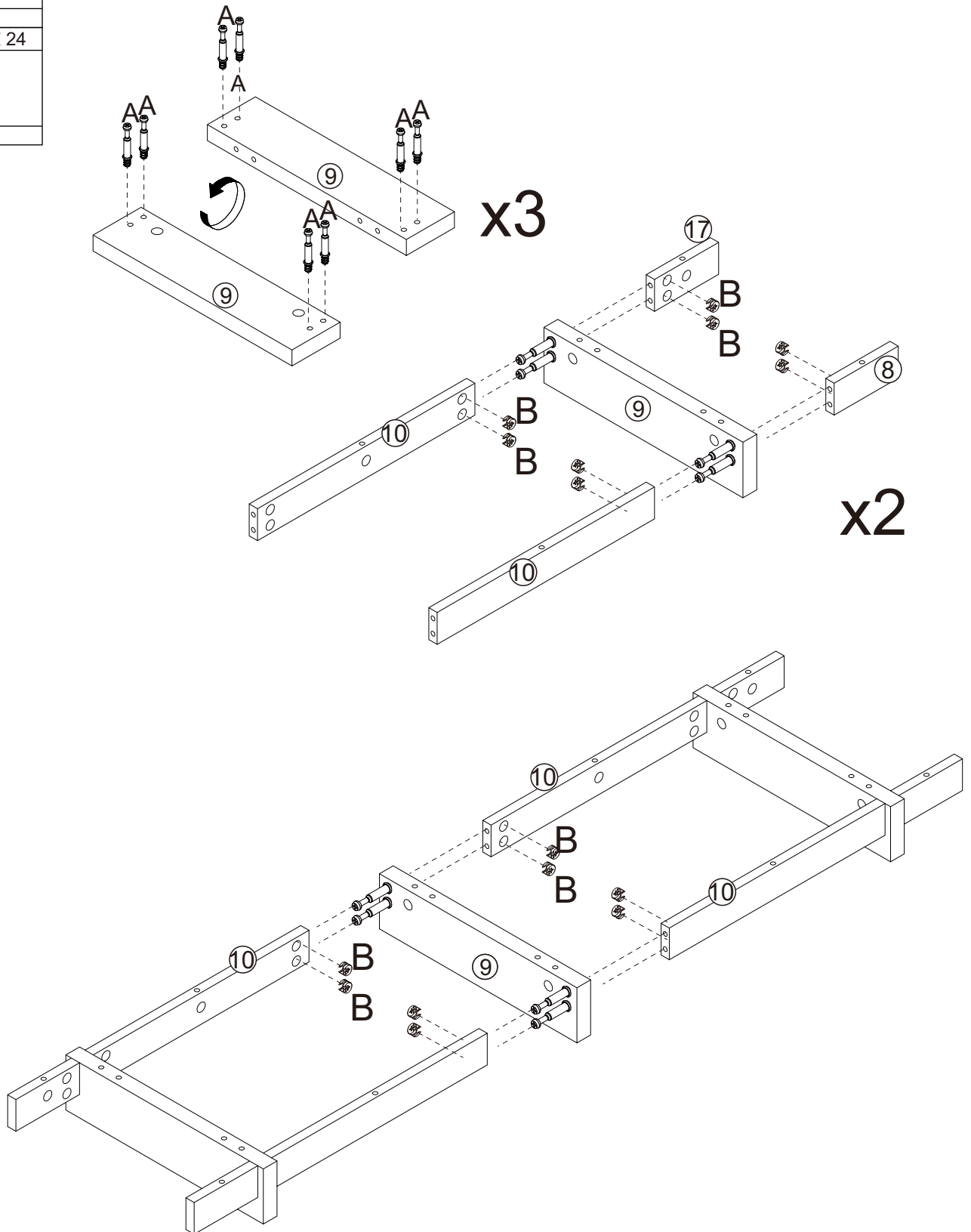
B	X 4
	
Φ15*10	
C	X 4
	
Φ6*30	



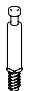
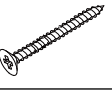

STEP 5

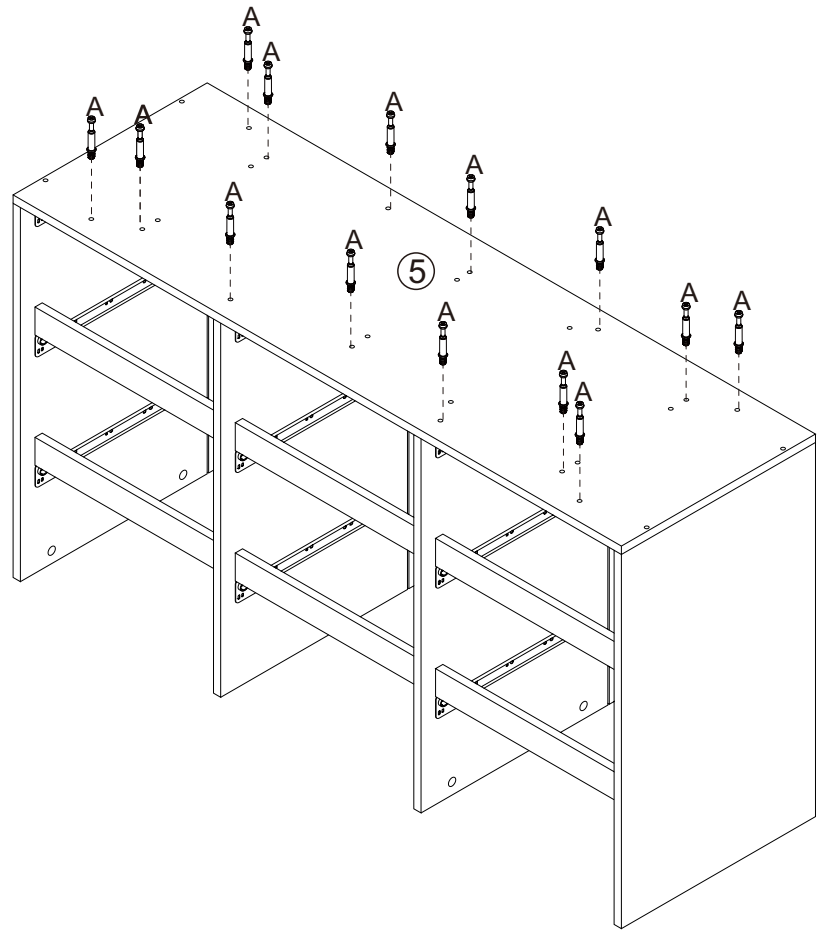
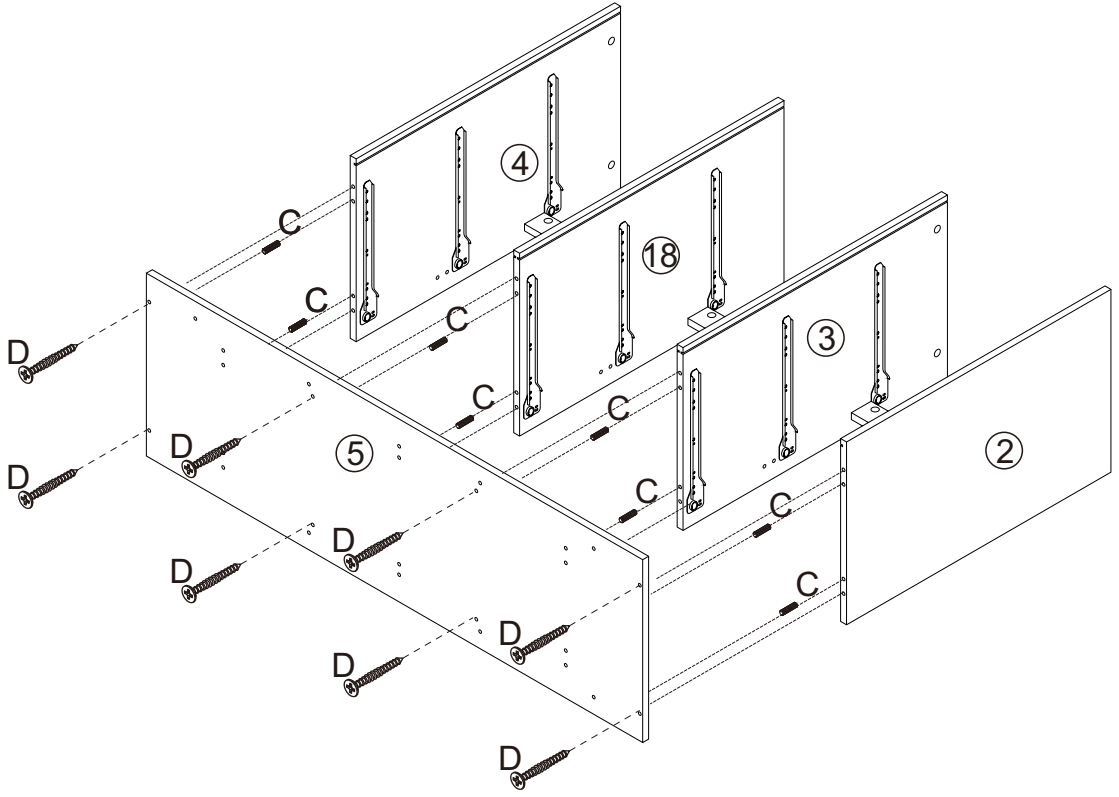
A	X 24
	
M6*35	
B	X 24
	
Φ15*10	

The product includes three 9 boards, which are flipped 180° for installation.





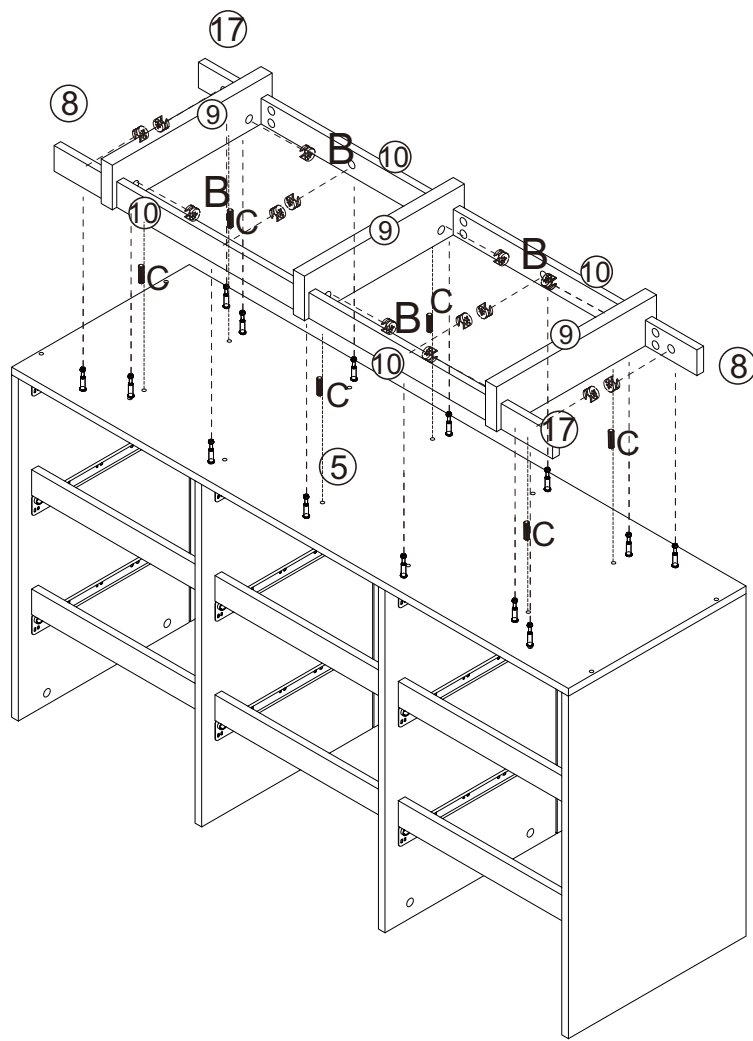
STEP 6

A	X 14
	
M6*35	
D	X 8
	
Φ4*40	
C	X 8
	
Φ6*30	

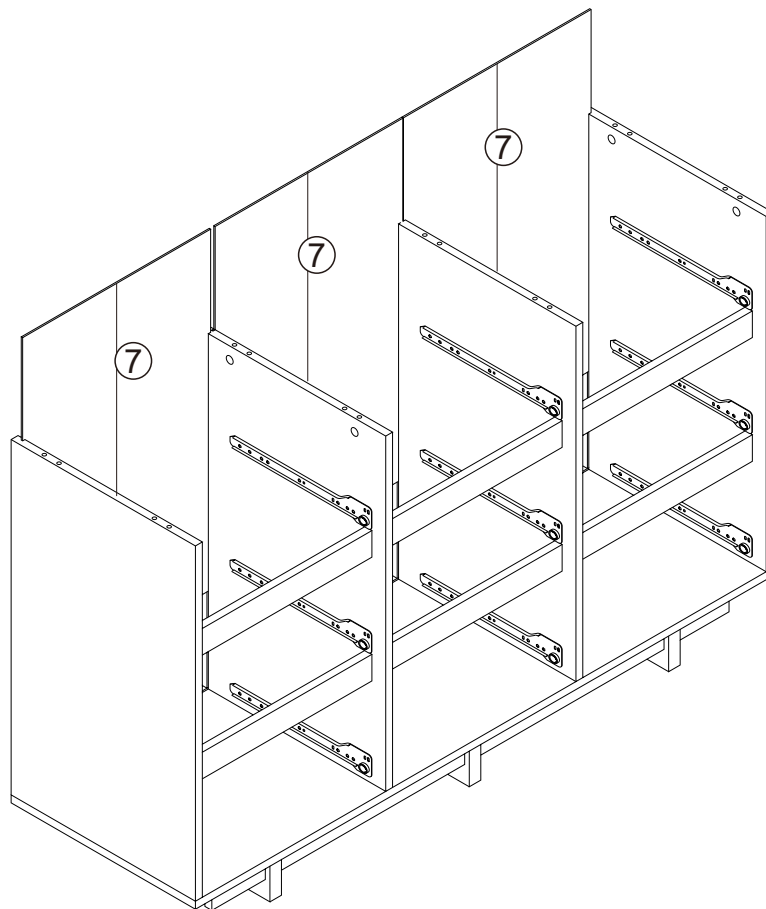


STEP 7


B	X 14
	
$\phi 15 \times 10$	
C	X 6
	
$\phi 6 \times 30$	

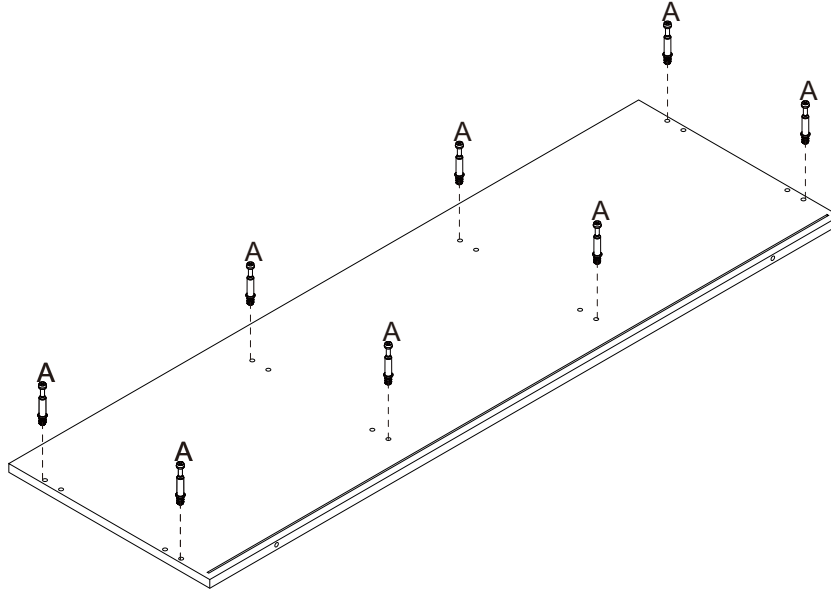


STEP 8





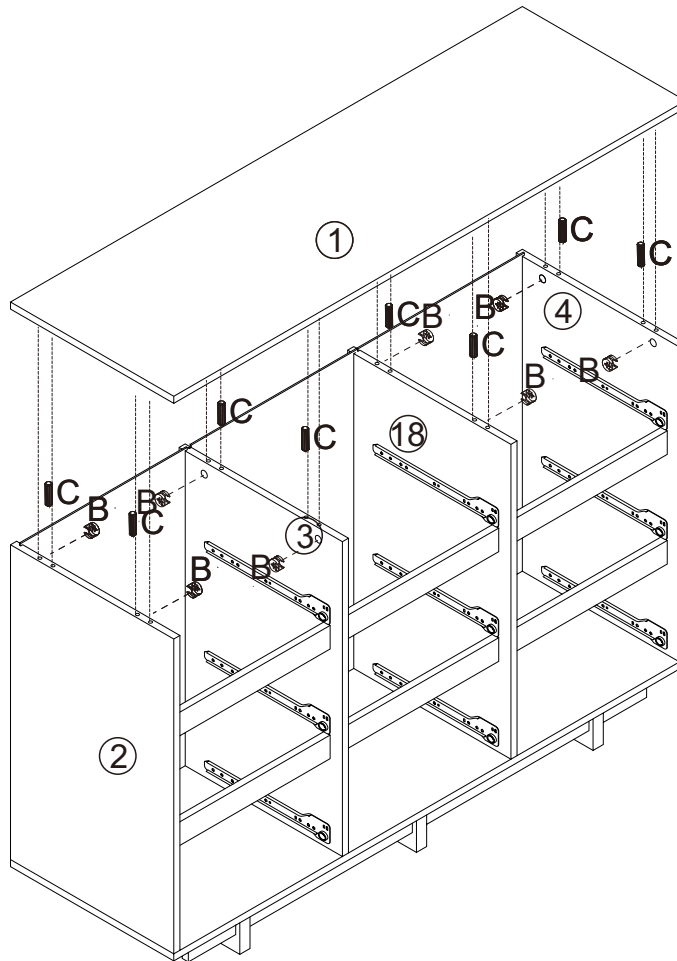
STEP 9

A	X 8
	
M6*35	

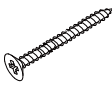


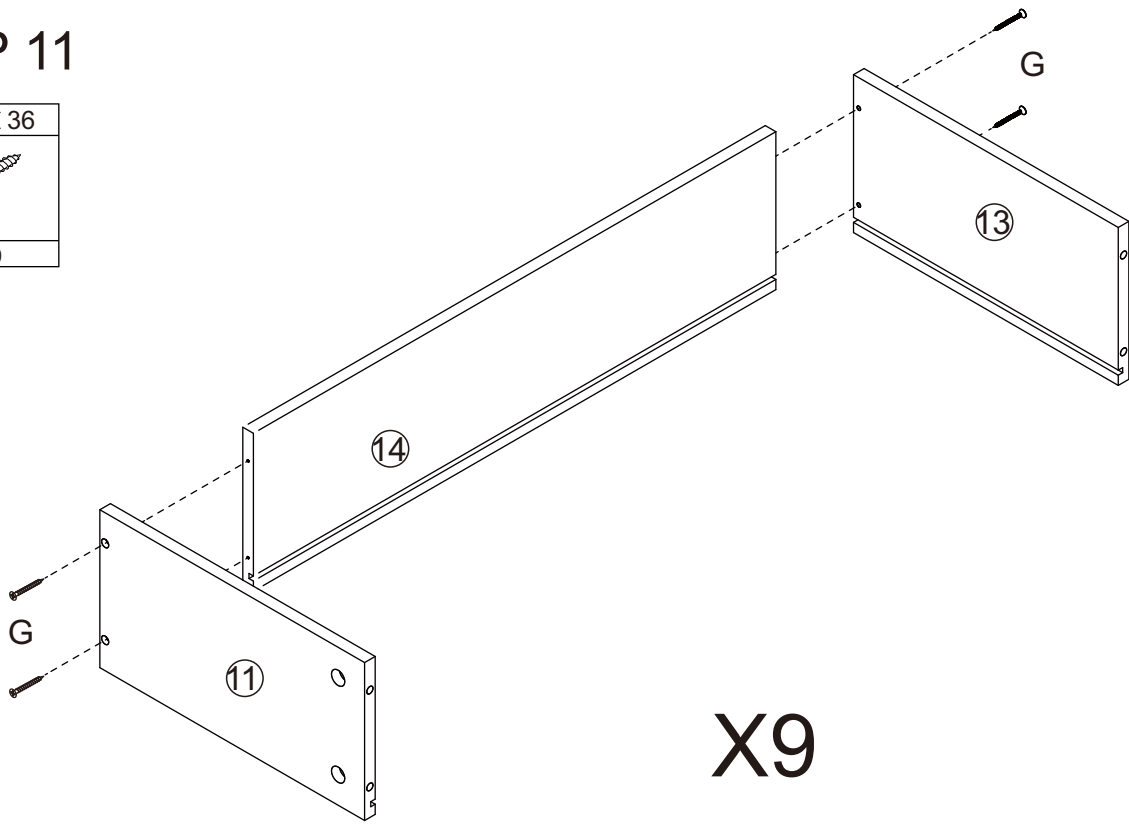
STEP 10

B	X 8
	
Φ15*10	
C	X 8
	
Φ6*30	

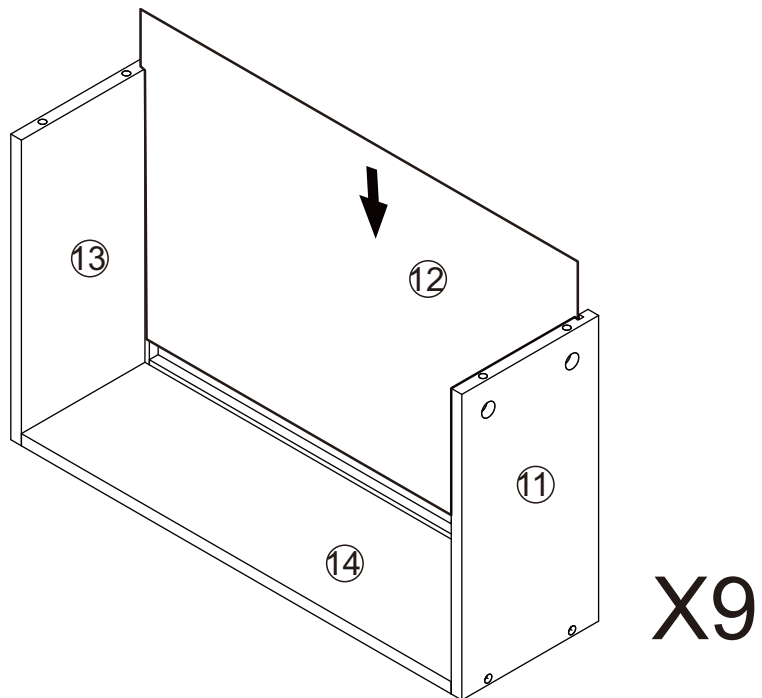


STEP 11






G	X 36
	
Φ4*30	



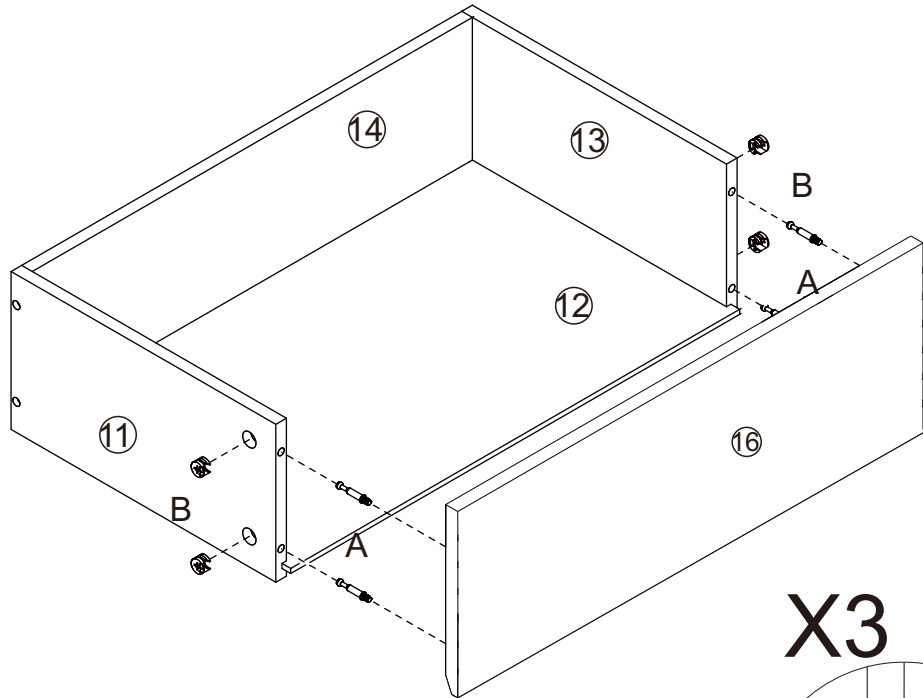
STEP 12



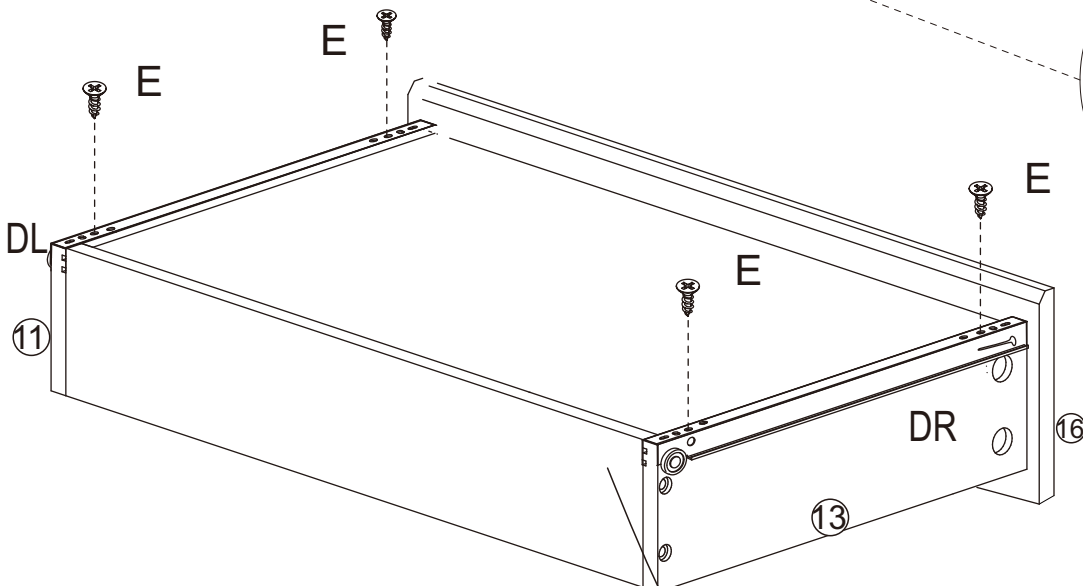
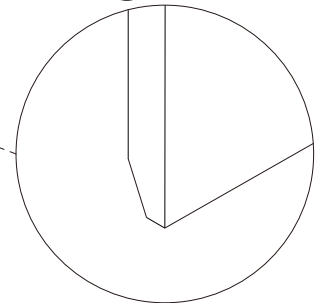
STEP 13

A	X 12
	
M6*35	
B	X 12
	
Φ15*10	
E	X 12
	
M3*12	
DL	X 3
	
DR	
X 3	
	

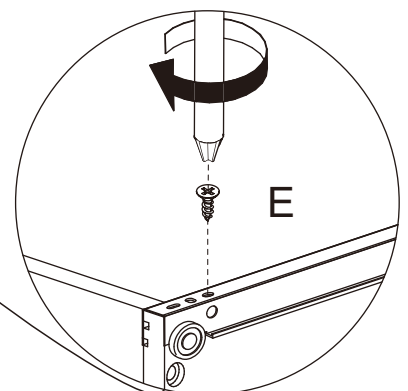
Screw accessory A into board 16, then connect board 16 to boards 11 and 13 with accessory B.



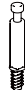




X3



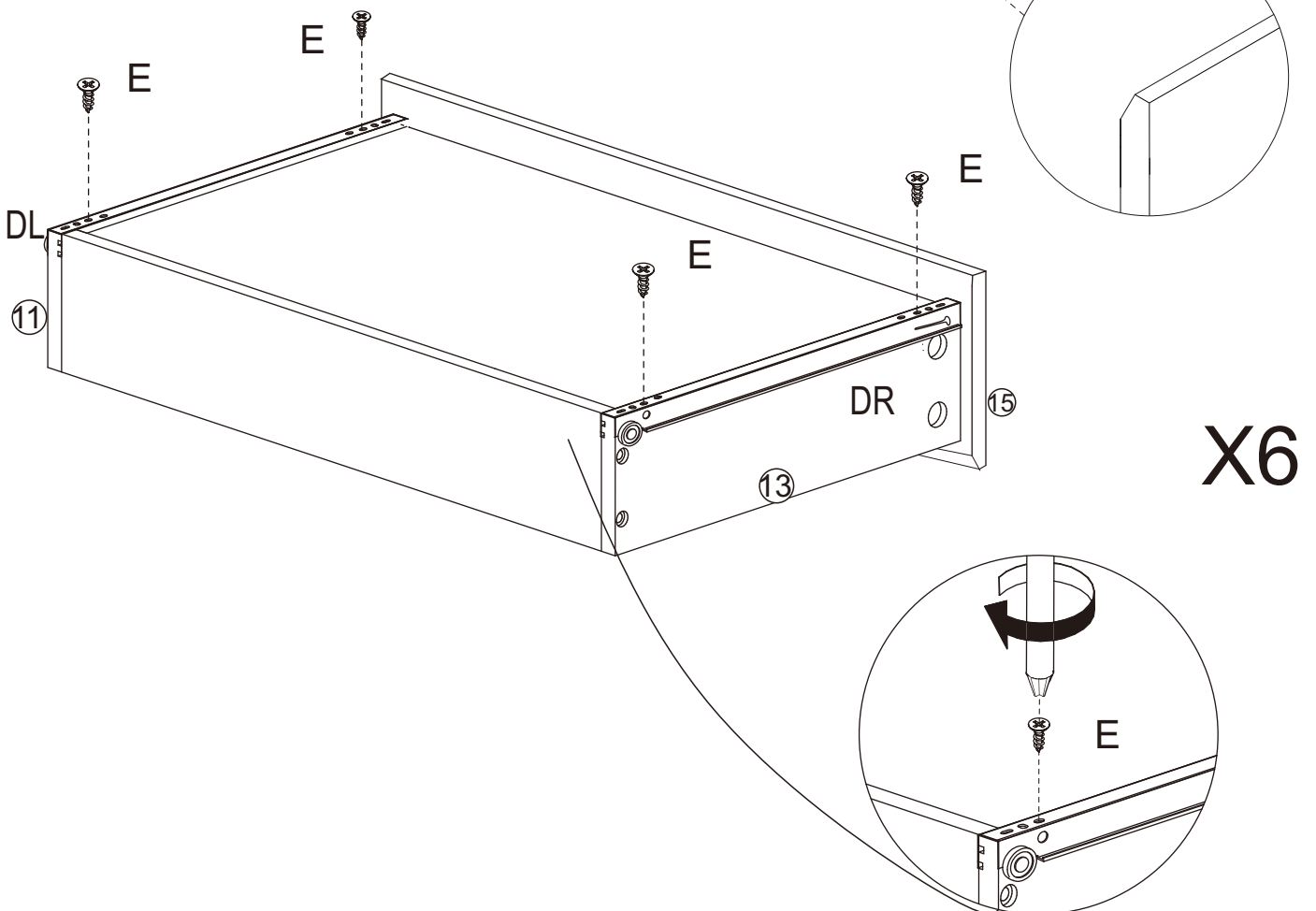
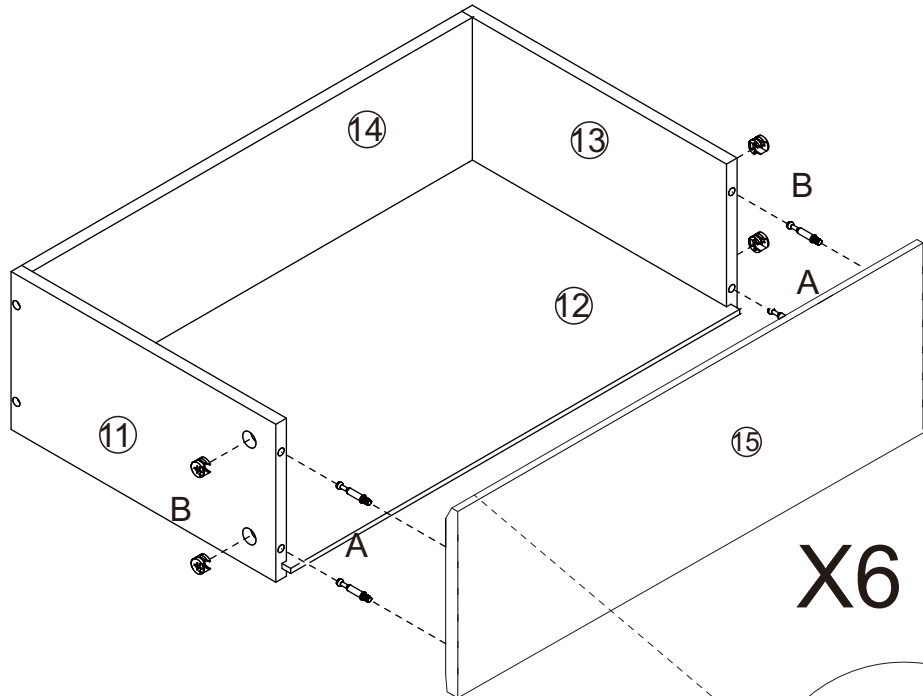
X3



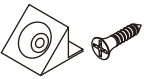

STEP 14

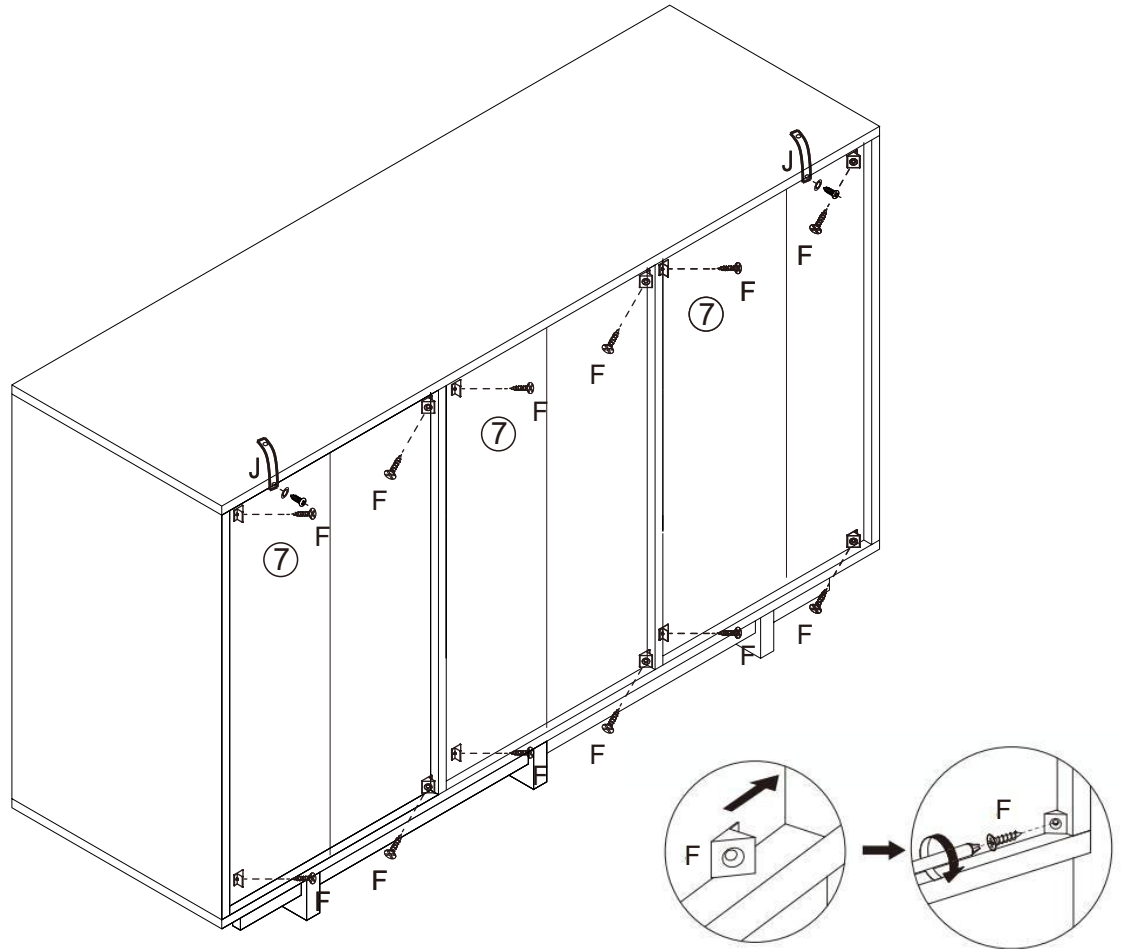
A	X 24
	
M6*35	
B	X 24
	
Φ15*10	
E	X 24
	
M3*12	
DL	X 6
	
DR	
	

Screw accessory A into board 15, then connect board 15 to boards 11 and 13 with accessory B.



STEP 15

F	X12
	
M3*16	
J	X2
	



STEP 16

J	X2
