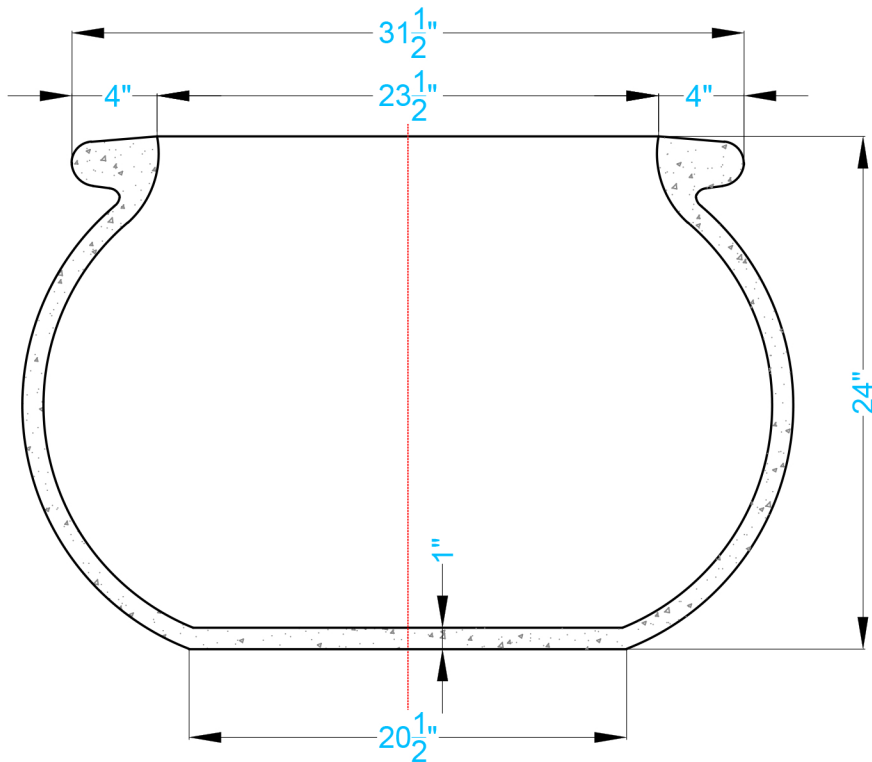
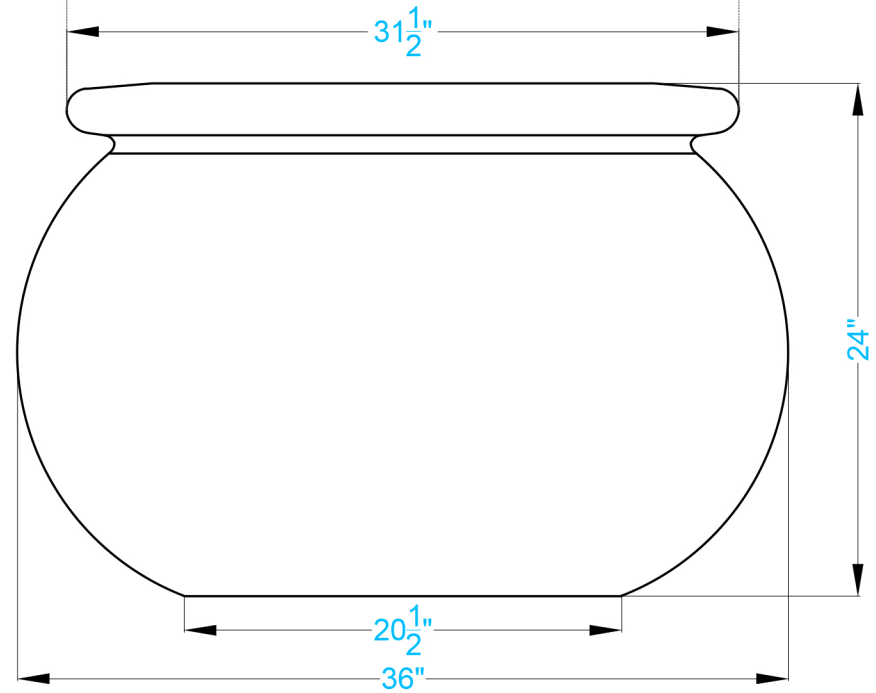


TOP VIEW



SECTION



ELEVATION

TEL: (310)882-5152 MOBILE: (310)774-6077  
FAX: (310) 734-6430  
EMAIL: GOR@LOSANGELESCASTSTONE.COM  
WEB: WWW.LOSANGELESCASTSTONE.COM



PREPARED BY:

PROJECT ADDRESS:

PROJECT TITLE:  
Planters

DRAWING TITLE:  
LACS-PL-31 1/2 X 24

SHEET TITLE:  
1