

Lore Kitchen Island

Instruction Manual



WARNING!

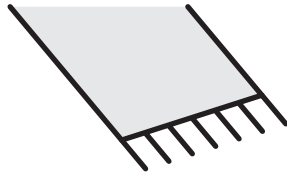
IMPORTANT SAFETY INSTRUCTIONS

- **DO NOT** climb or sit on the furniture to avoid tipping over and potential injury.
- **DO NOT** allow children to climb on the drawers.
- **DO NOT** open more than one drawer at the same time.
- **DO NOT** place heavy objects on the top (include TV).
- Avoid direct sunlight to prevent discoloration or cracking.
- Keep small hardware parts out of reach of children to avoid accidental swallowing.
- Stay away from fire and heat sources to prevent deformation or burning.
- Protect the furniture from humid environments; keep it dry for long-lasting use.

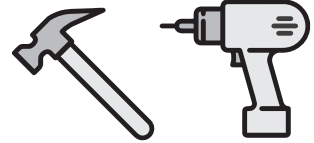
What we recommend



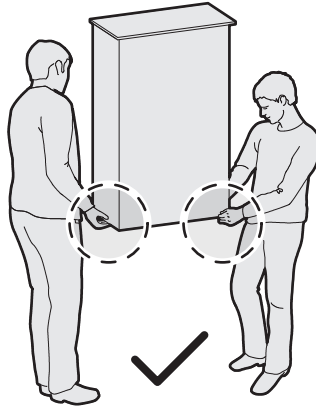
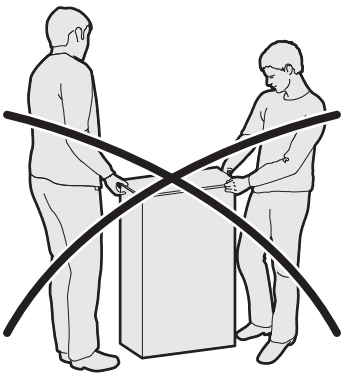
**Assemble with
two people or more**



**Install on
soft flooring**

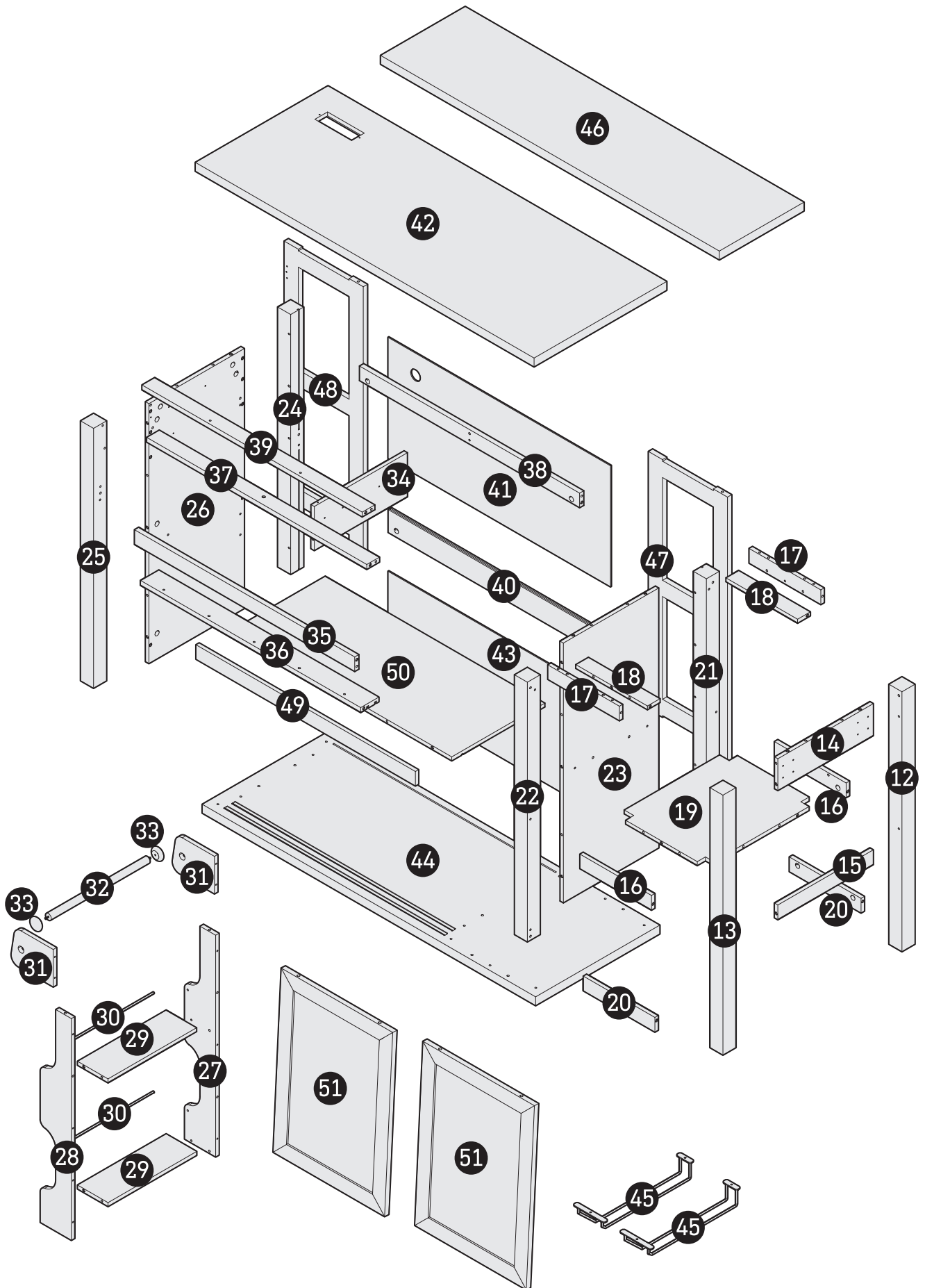


**Required tools
(not included)**

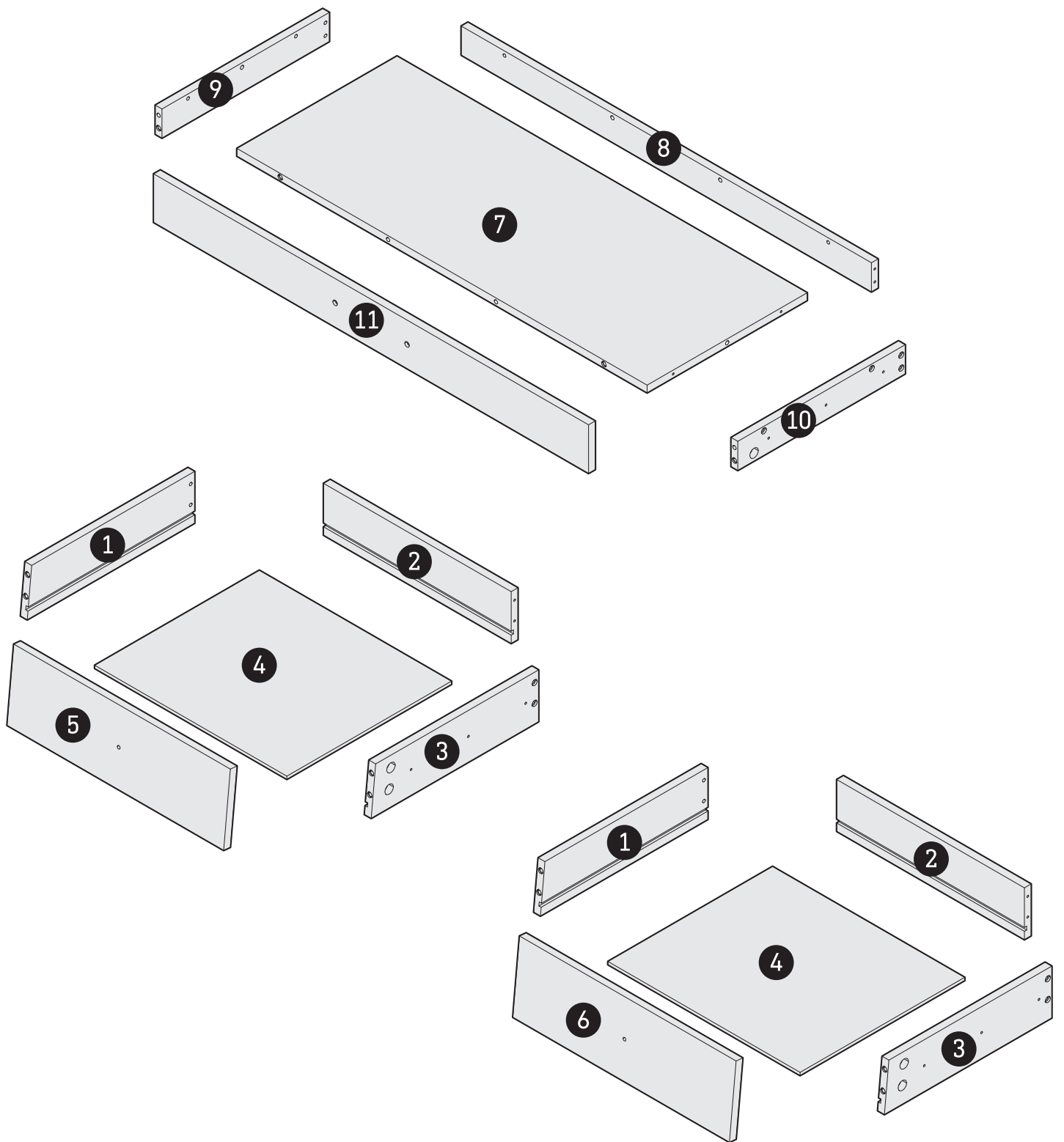


When relocating the product, ensure two-person support at the base and move gently. Avoid dragging or lifting from the top to prevent loosened screws, structural damage, or personal injury.

What's in the box

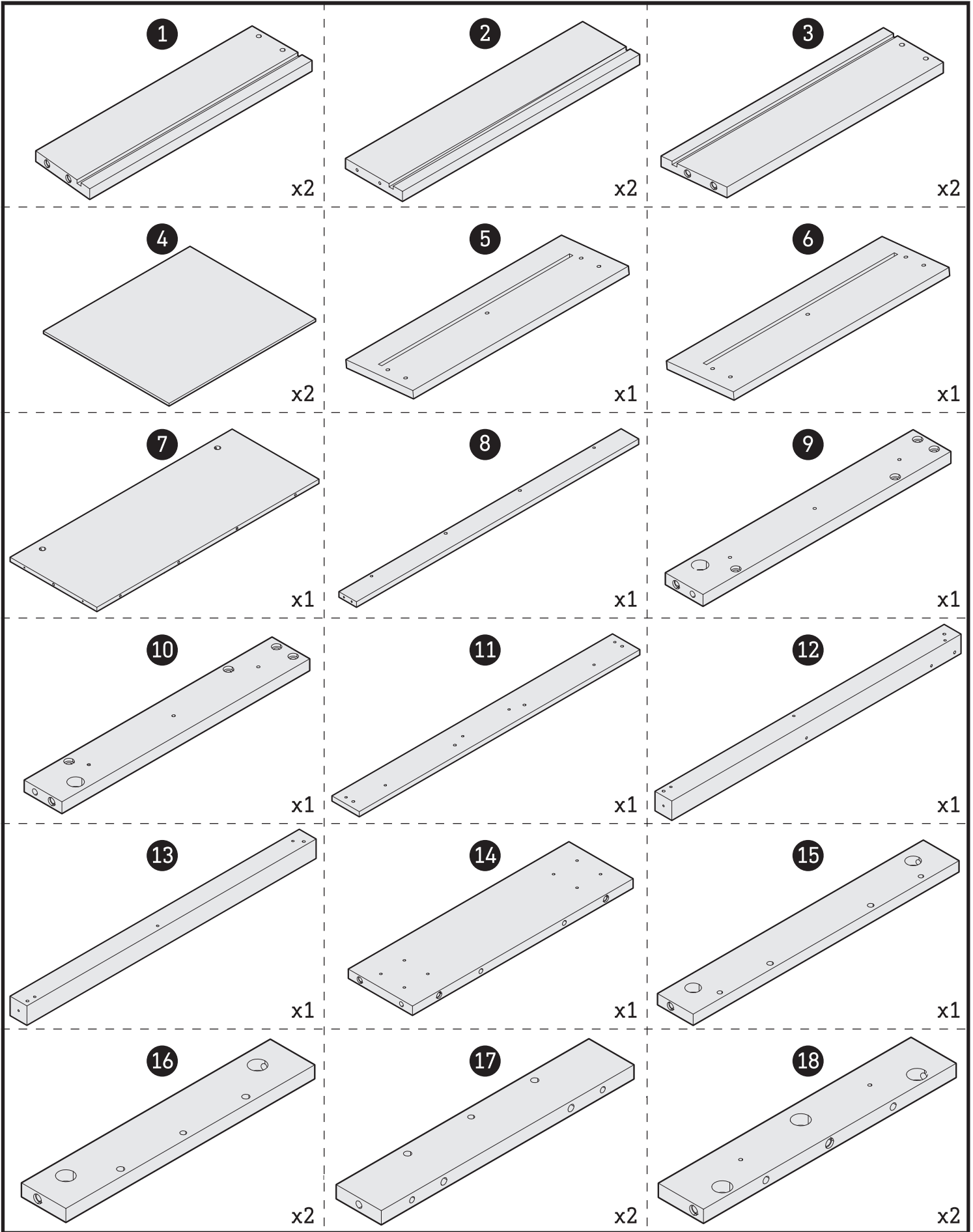


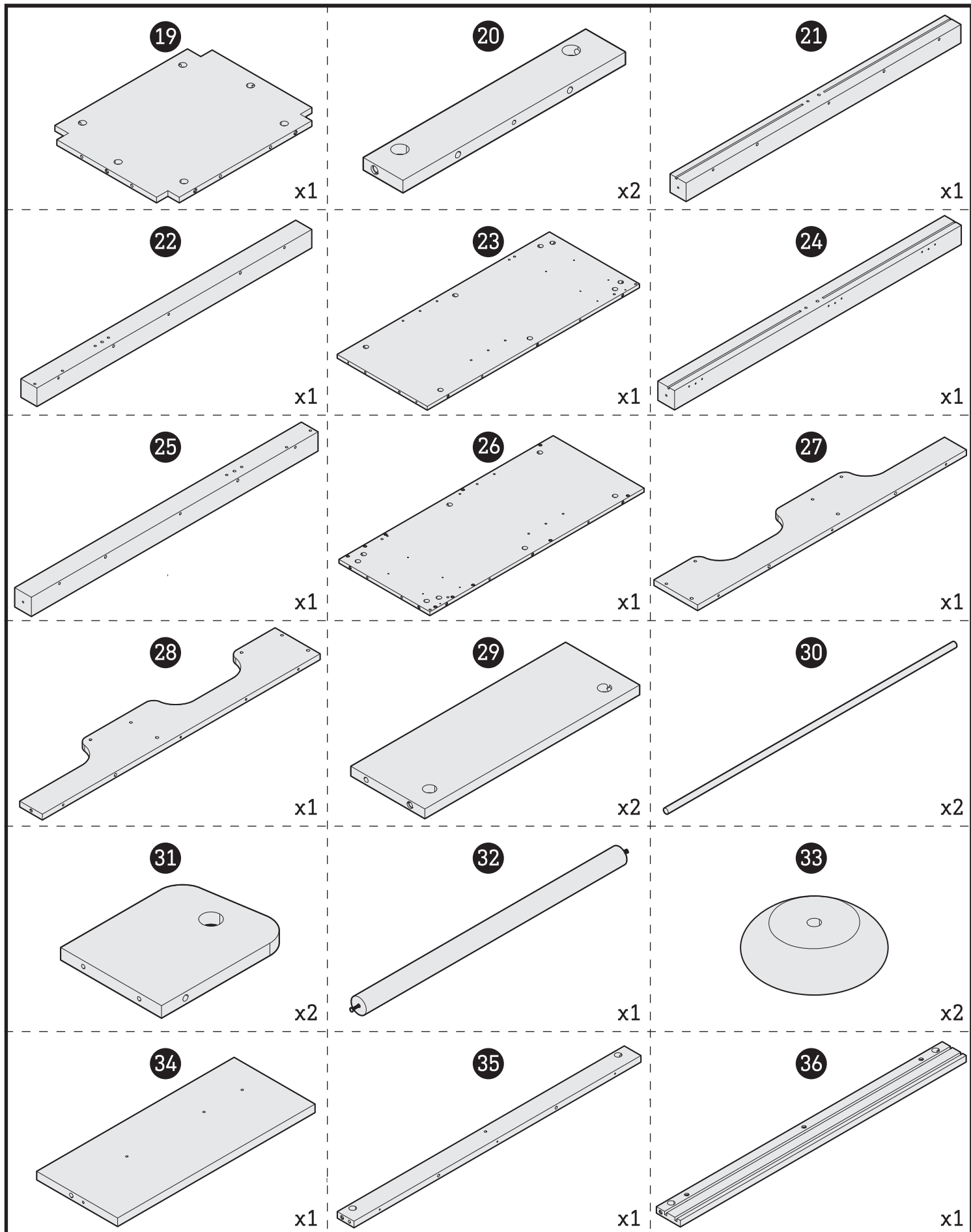
Island Body

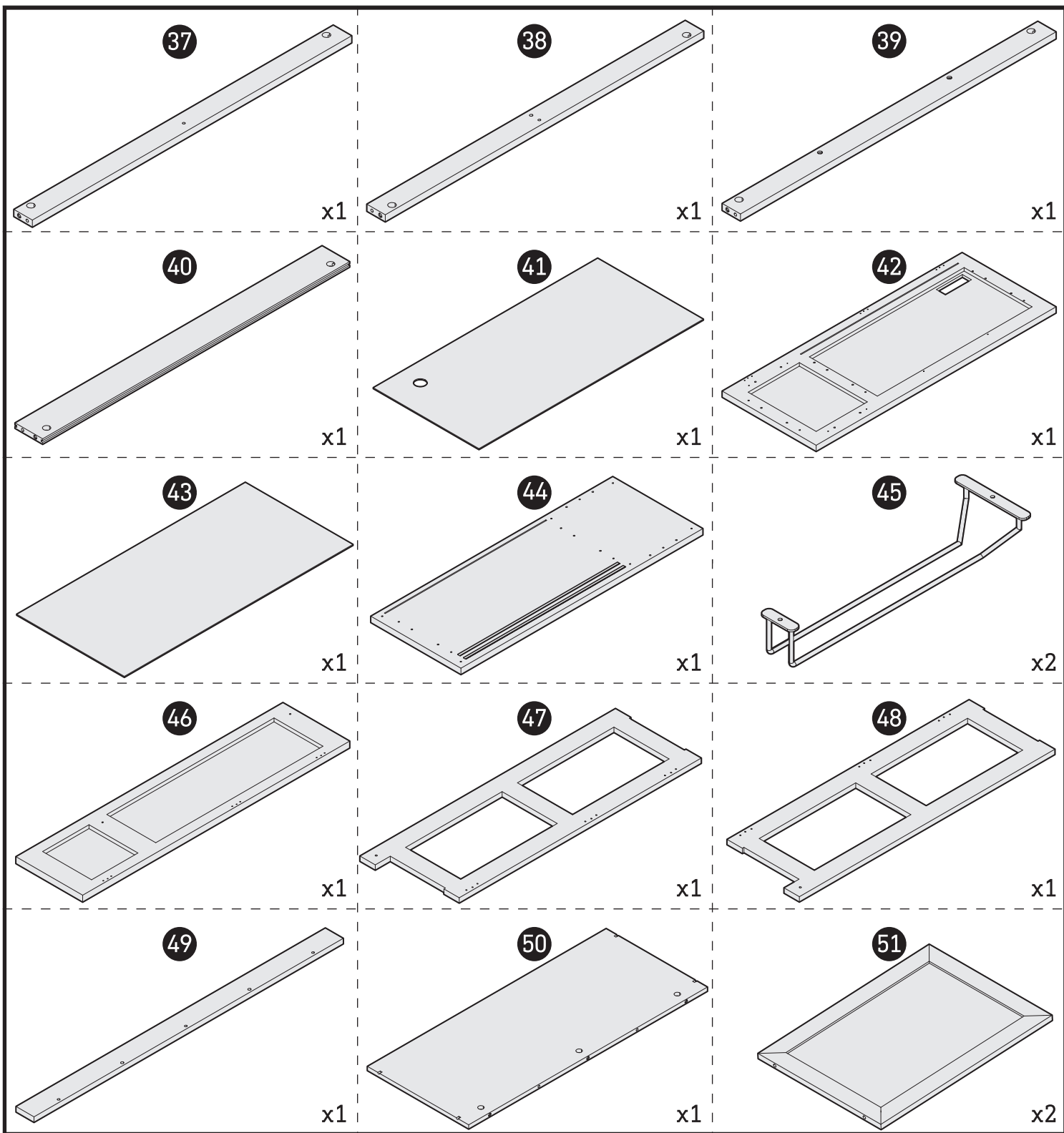


Drawers

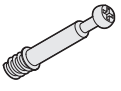

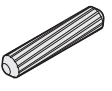





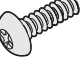
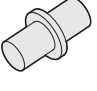
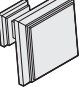

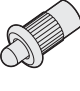
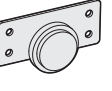
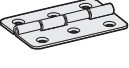

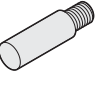

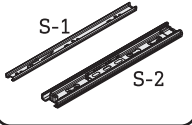
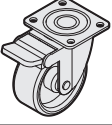
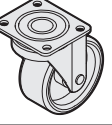
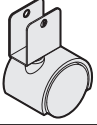
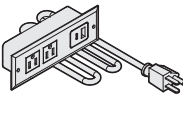
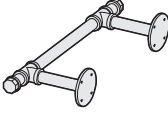

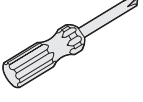
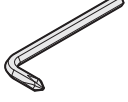
Board Parts List

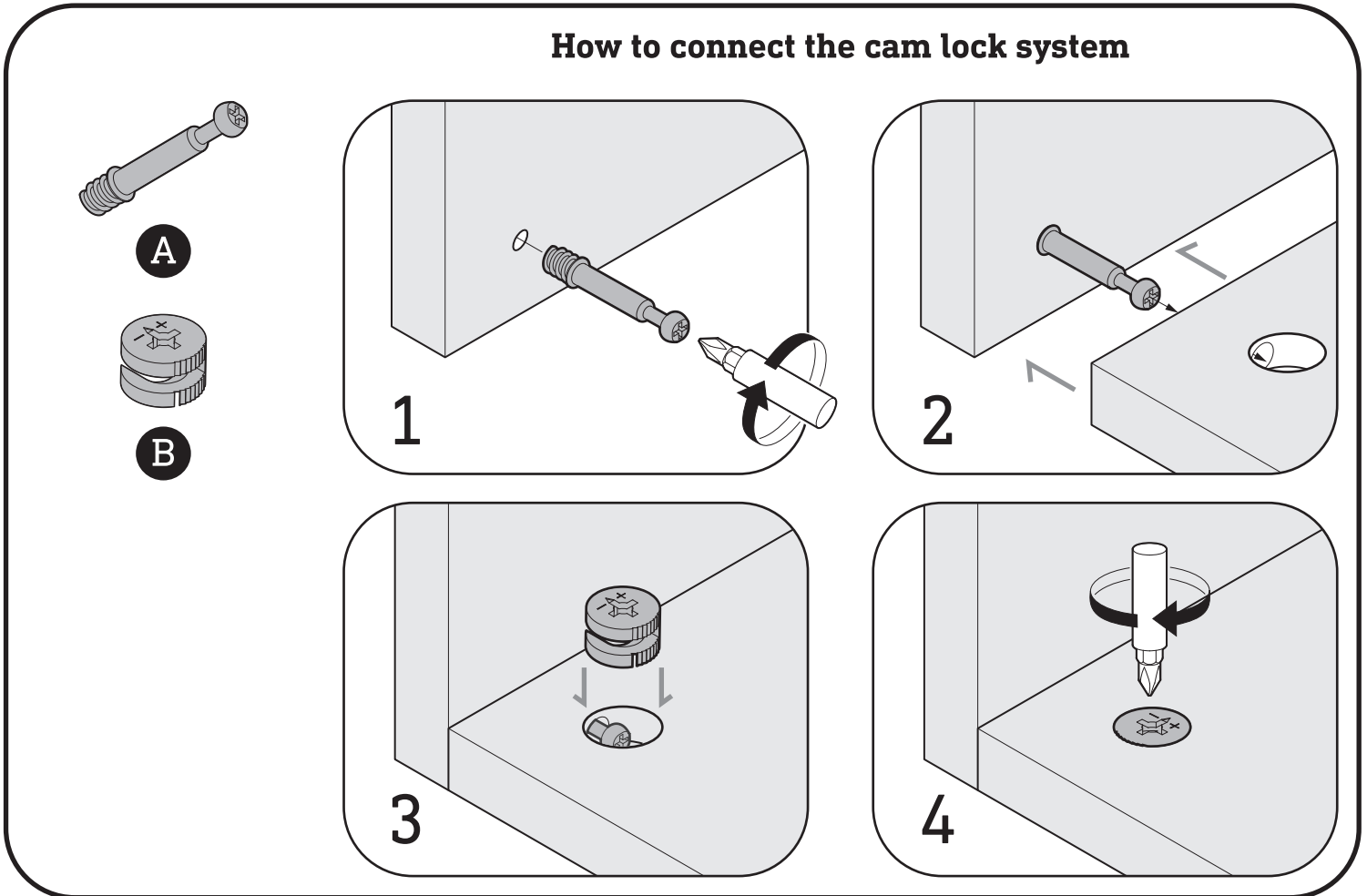


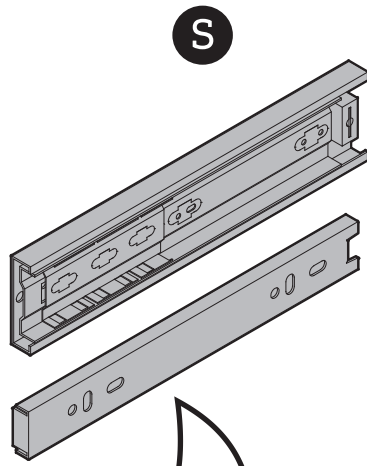




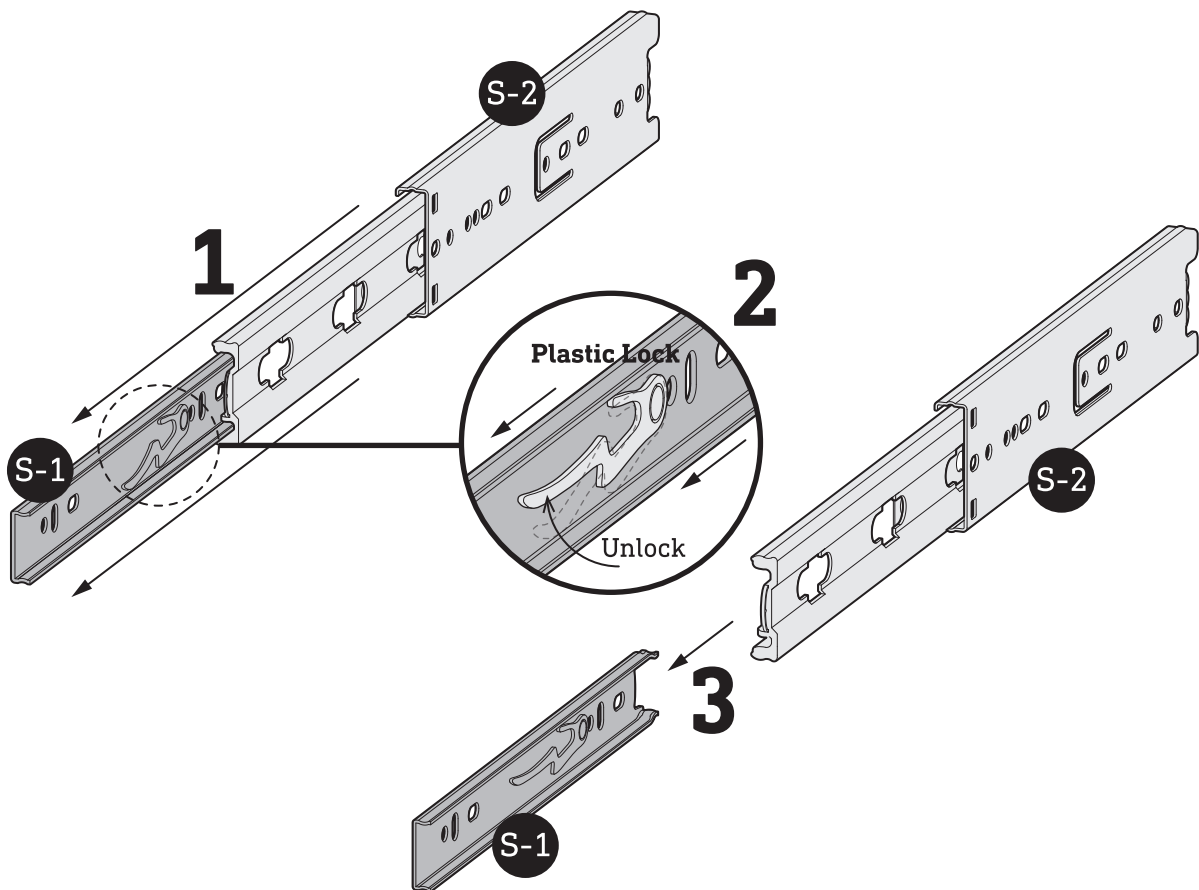
Hardware Accessories

A	x74+2	B	x74+2	C	x81+2	D	x27+2	E	x2	F	x20+2	G	x22+2
						 M4x40mm		 M4x25mm		 M4x12mm		 M5x40mm	
H	x120+2	I	x4	J	x4	K	x2	L	x1	M	x4	N	x4
 M3.5x12mm		 M4x12mm											
O	x9	P	x2	Q	x2	R	x14	S	x6	T	x4	U	x1
													
V	x2	W	x1	X	x1	Y	x12 Sets	Screwdriver		Hex Key			
													



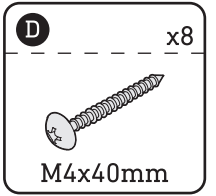
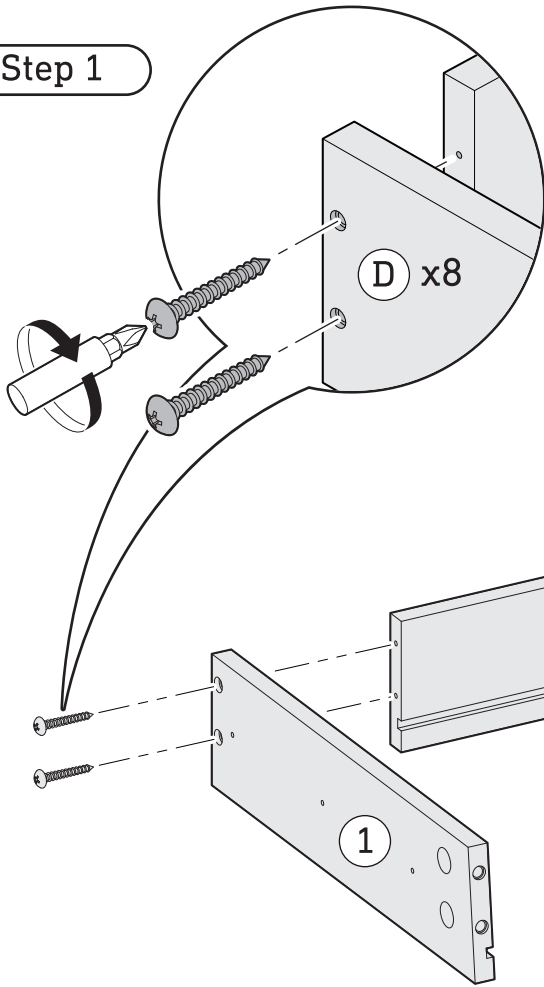


How to separate the drawer slide



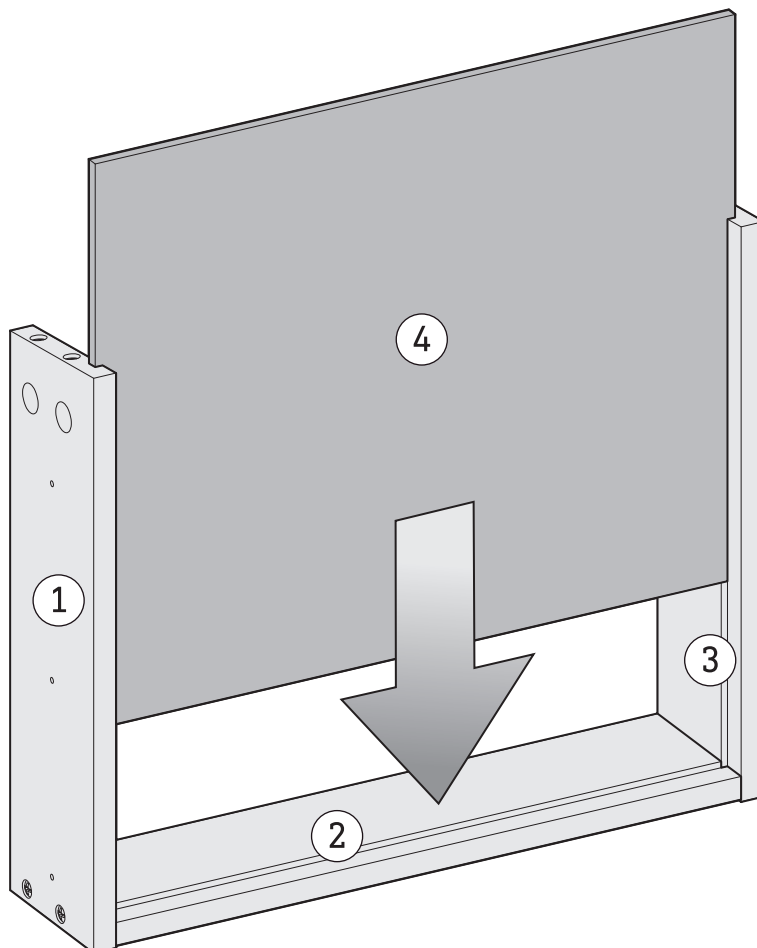
1. Expand the sliding rail until the plastic lock appears.
2. Push up the plastic lock to unlock the rail and keep expanding the rail.
3. Completely separate the part S-1 from the part S-2.

Step 1



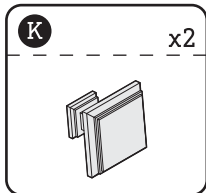
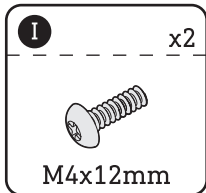
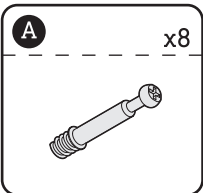
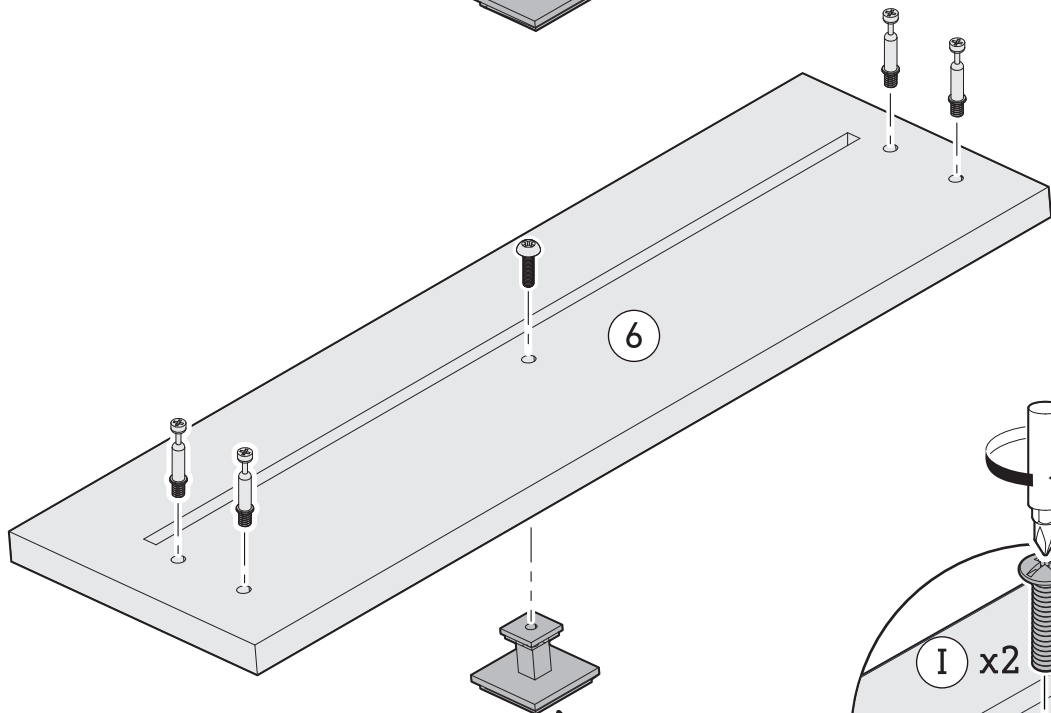
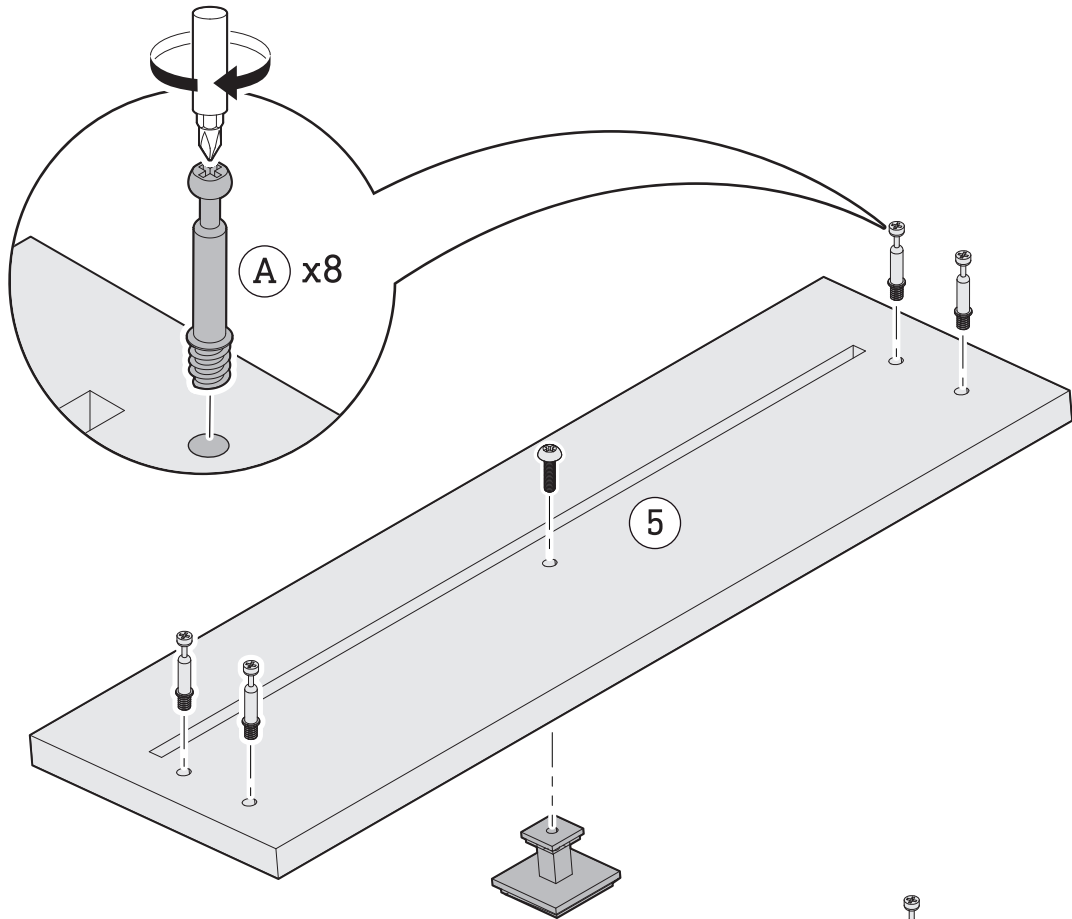
x2

Step 2

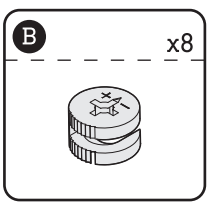
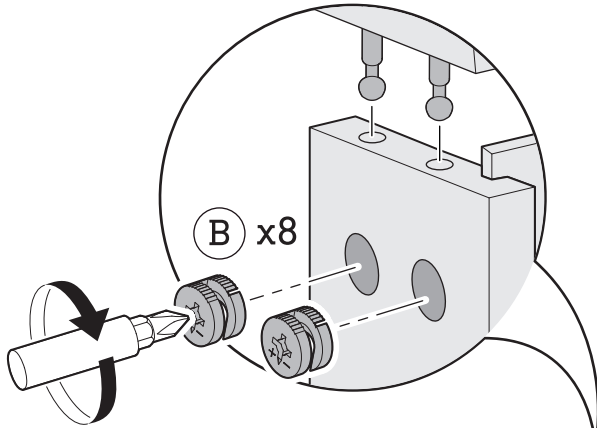
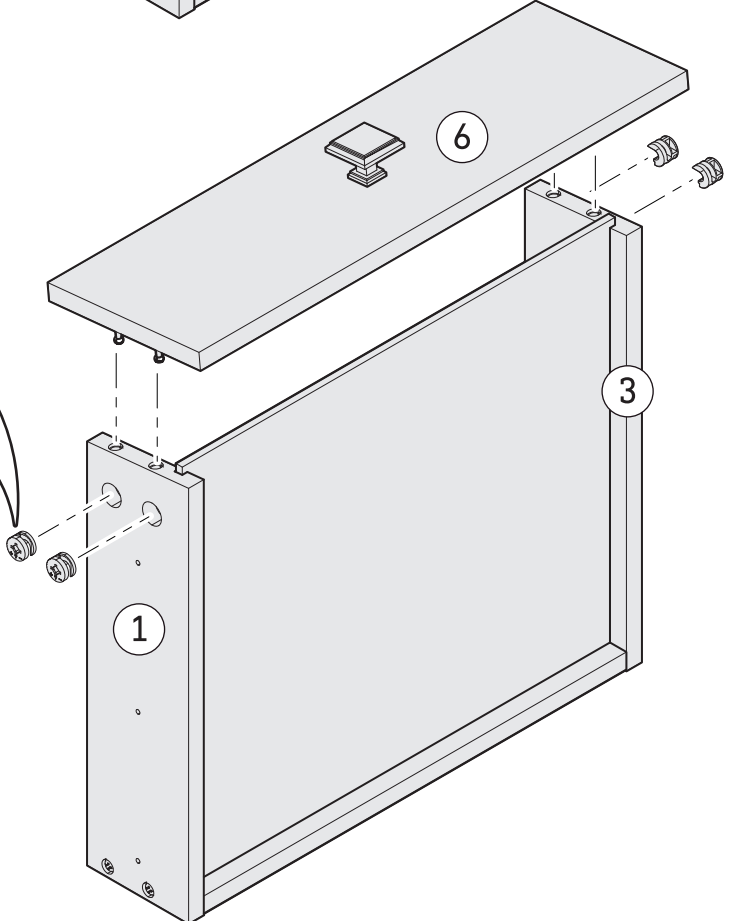
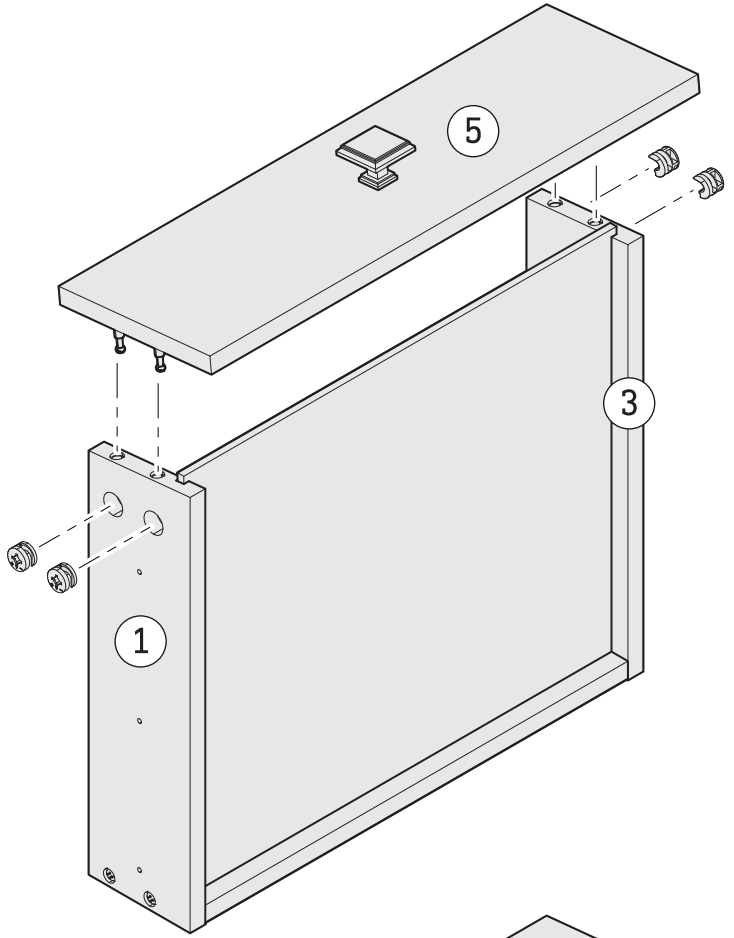


x2

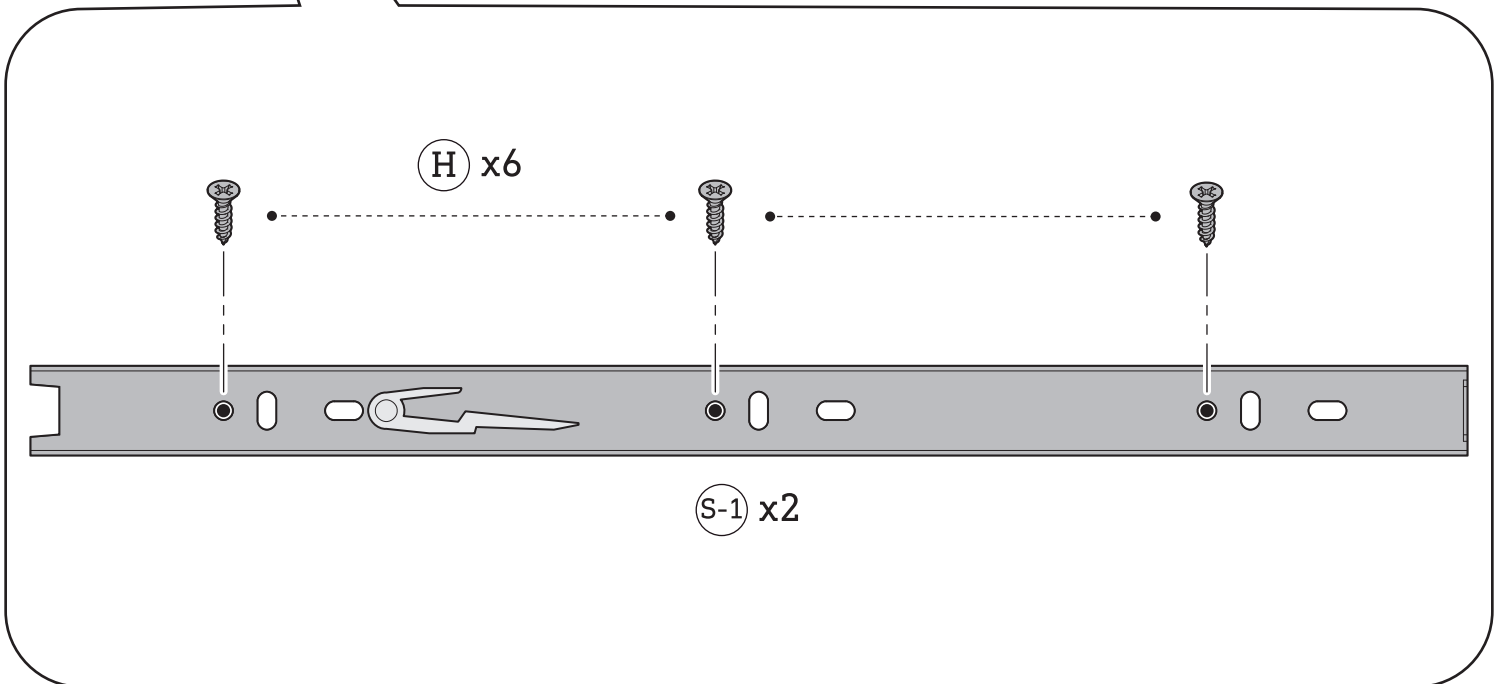
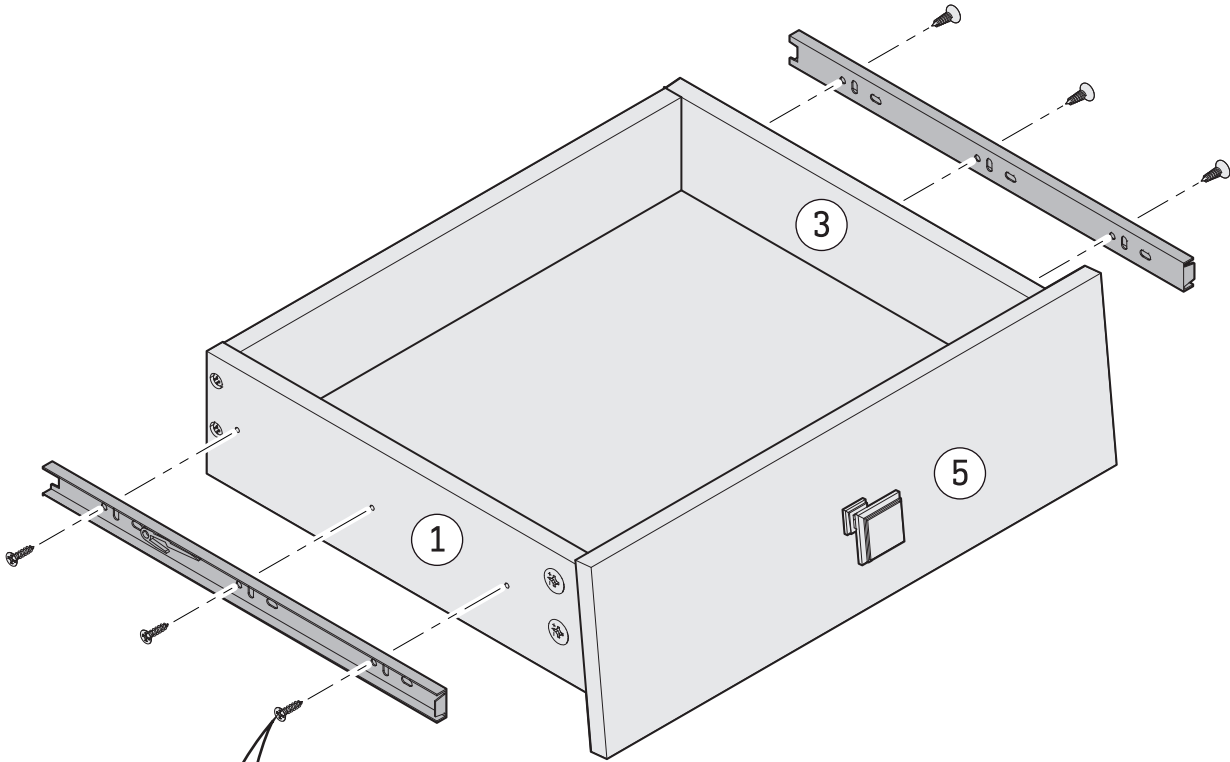
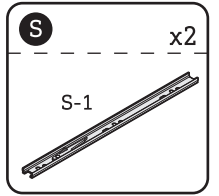
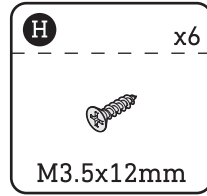
Step 3



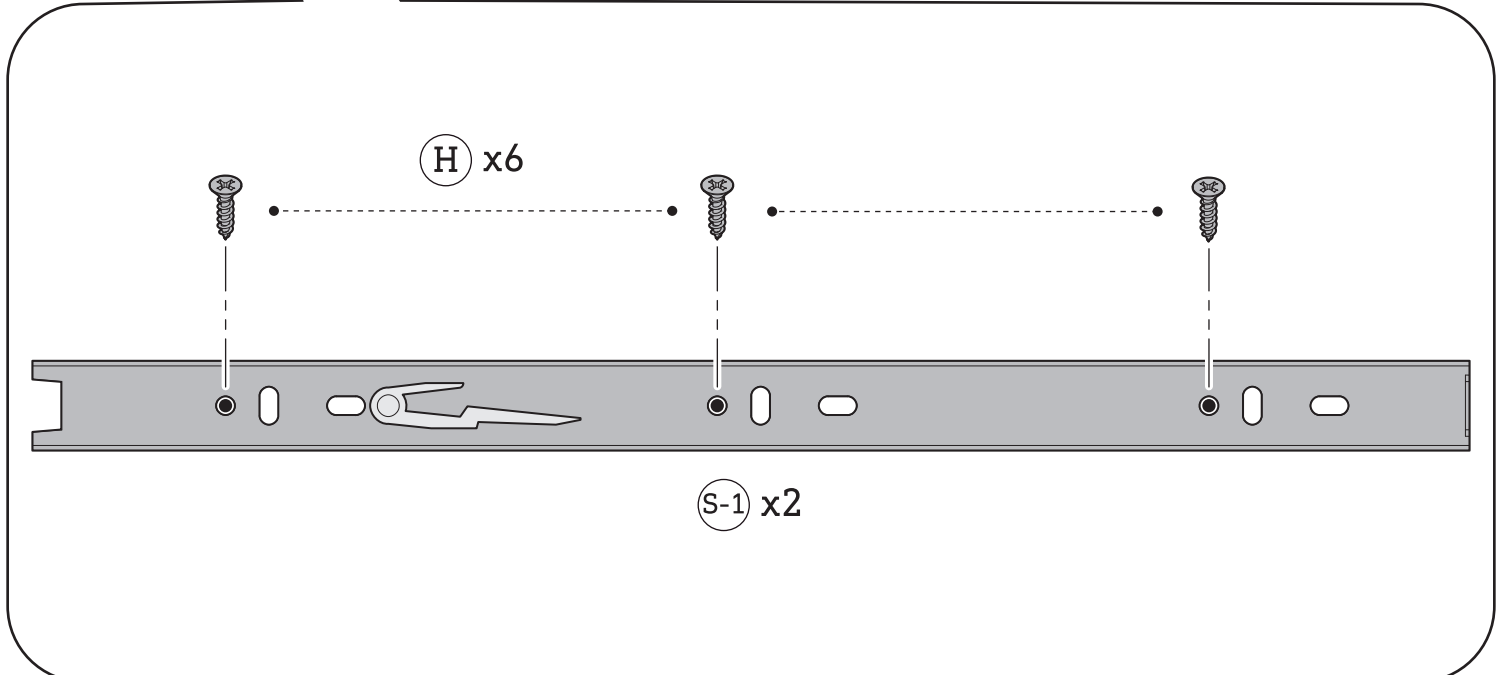
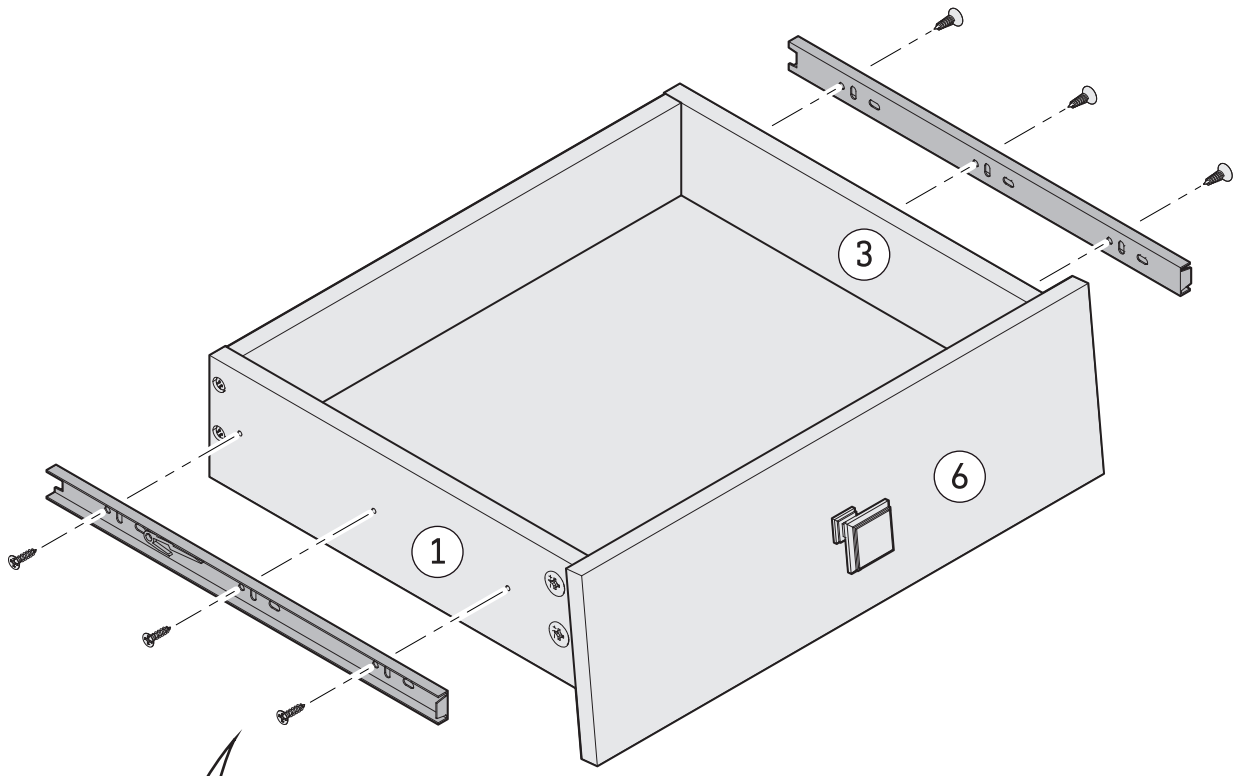
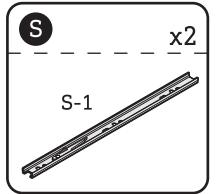
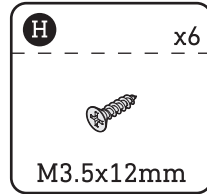
Step 4



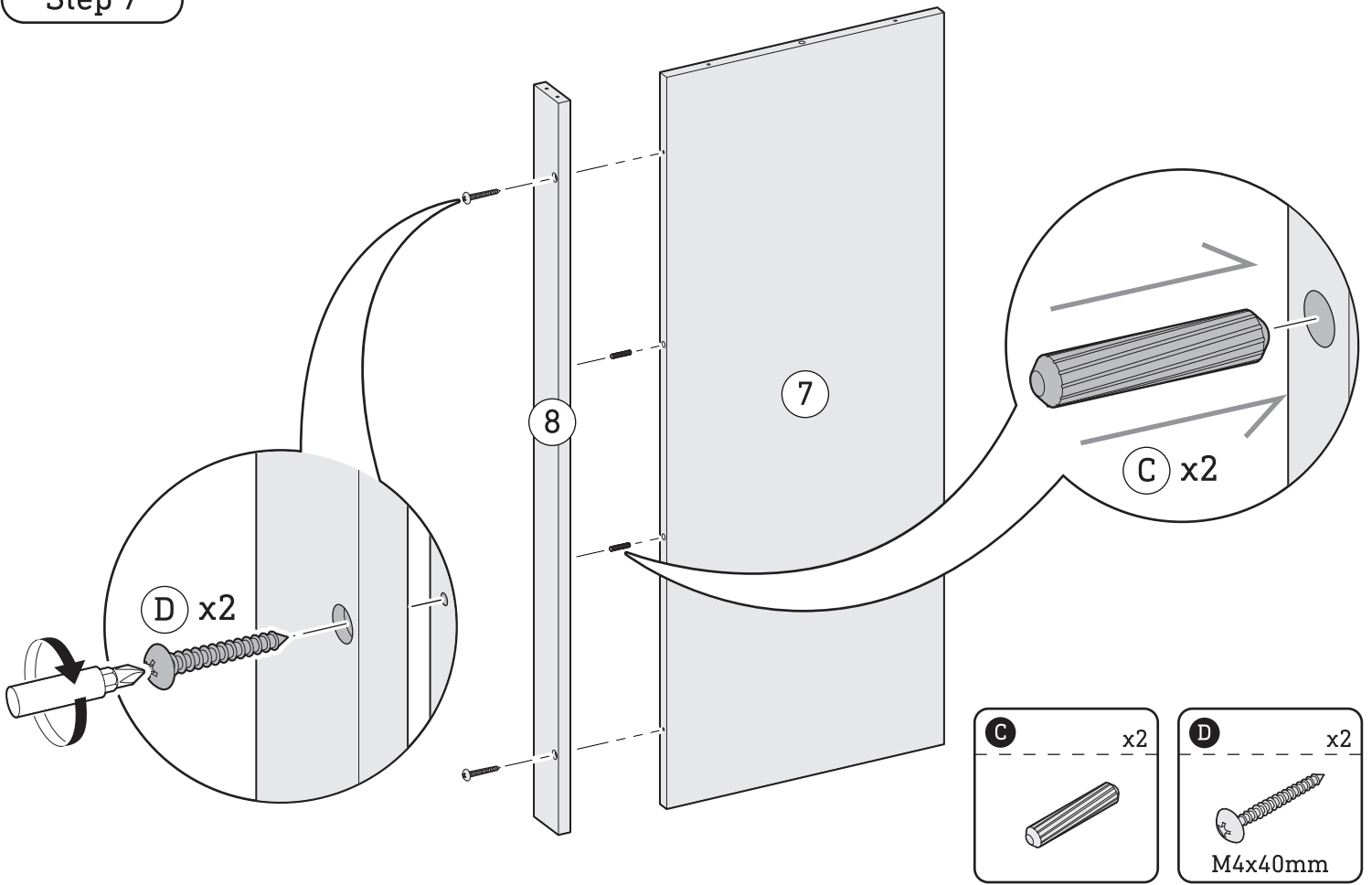
Step 5



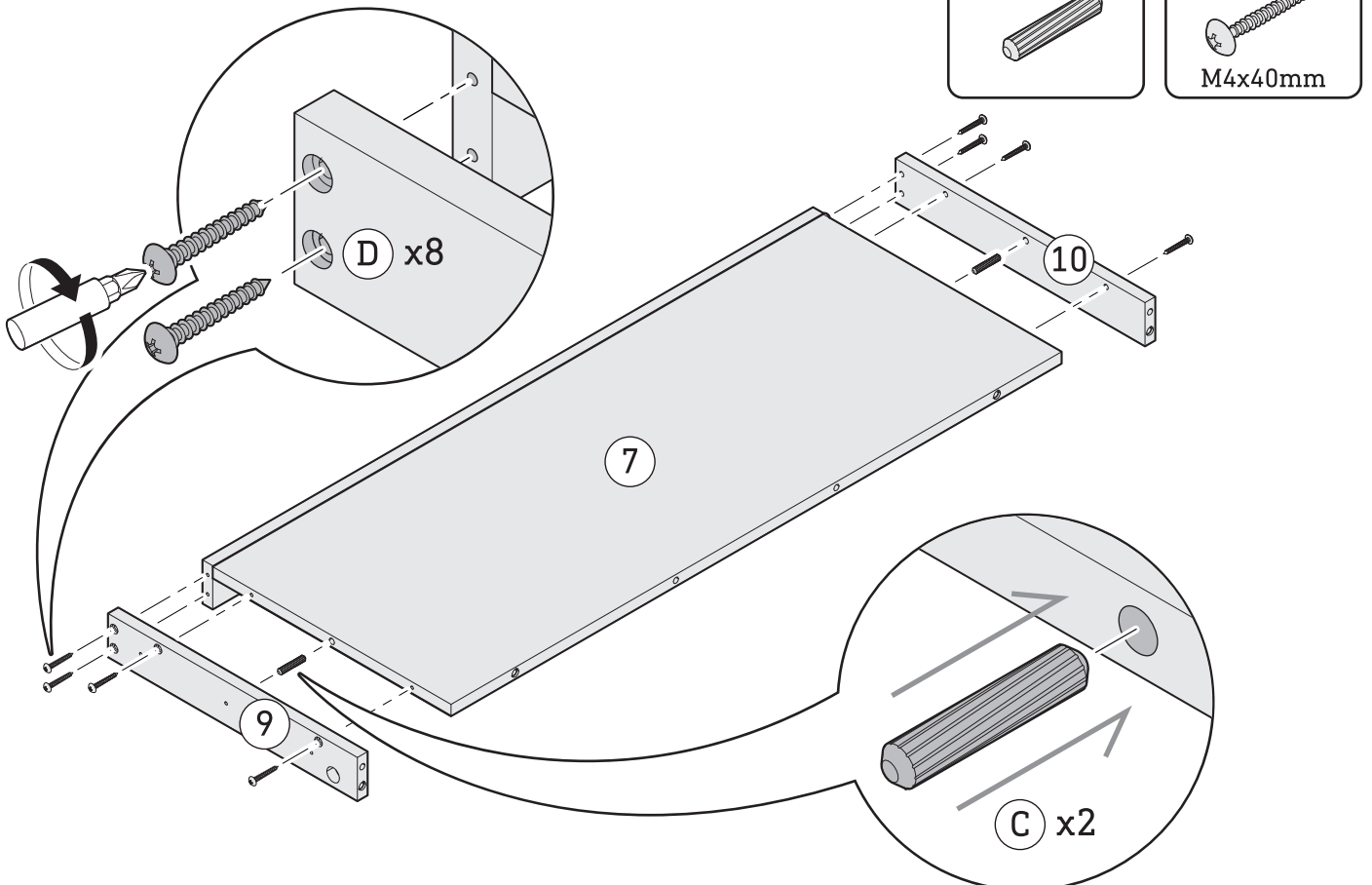
Step 6



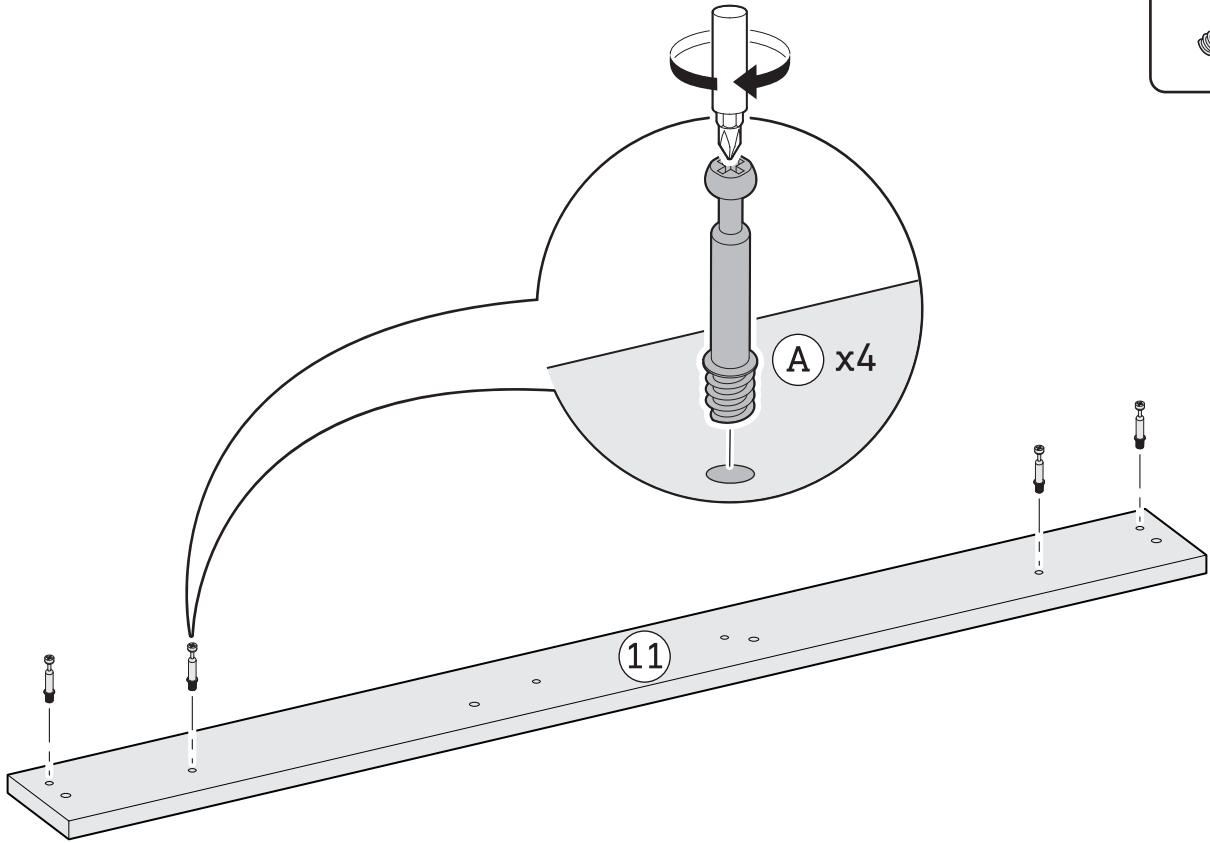
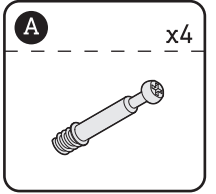
Step 7



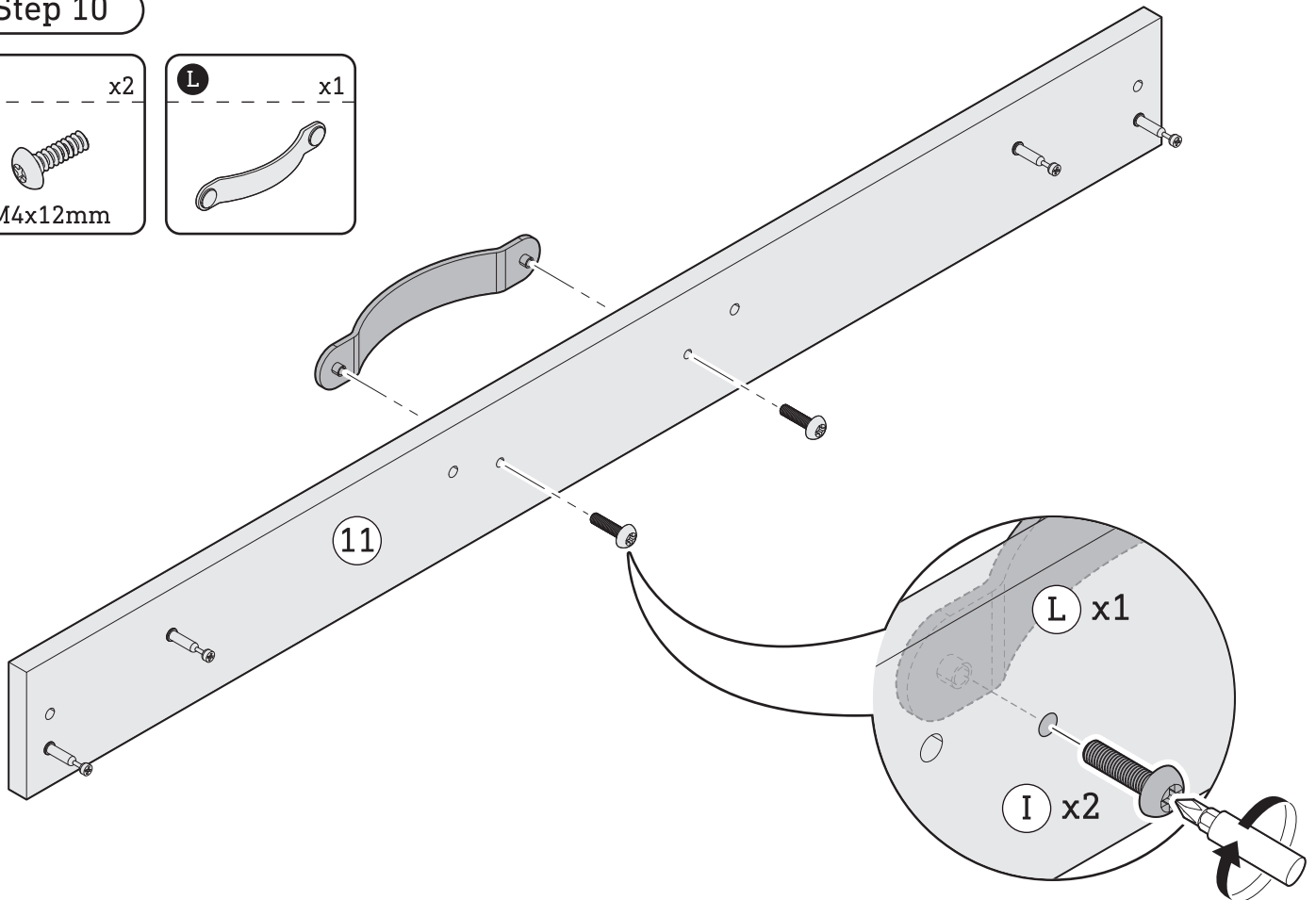
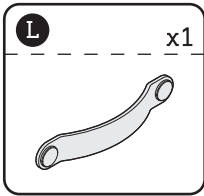
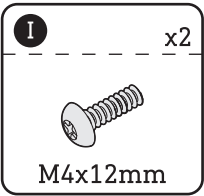
Step 8



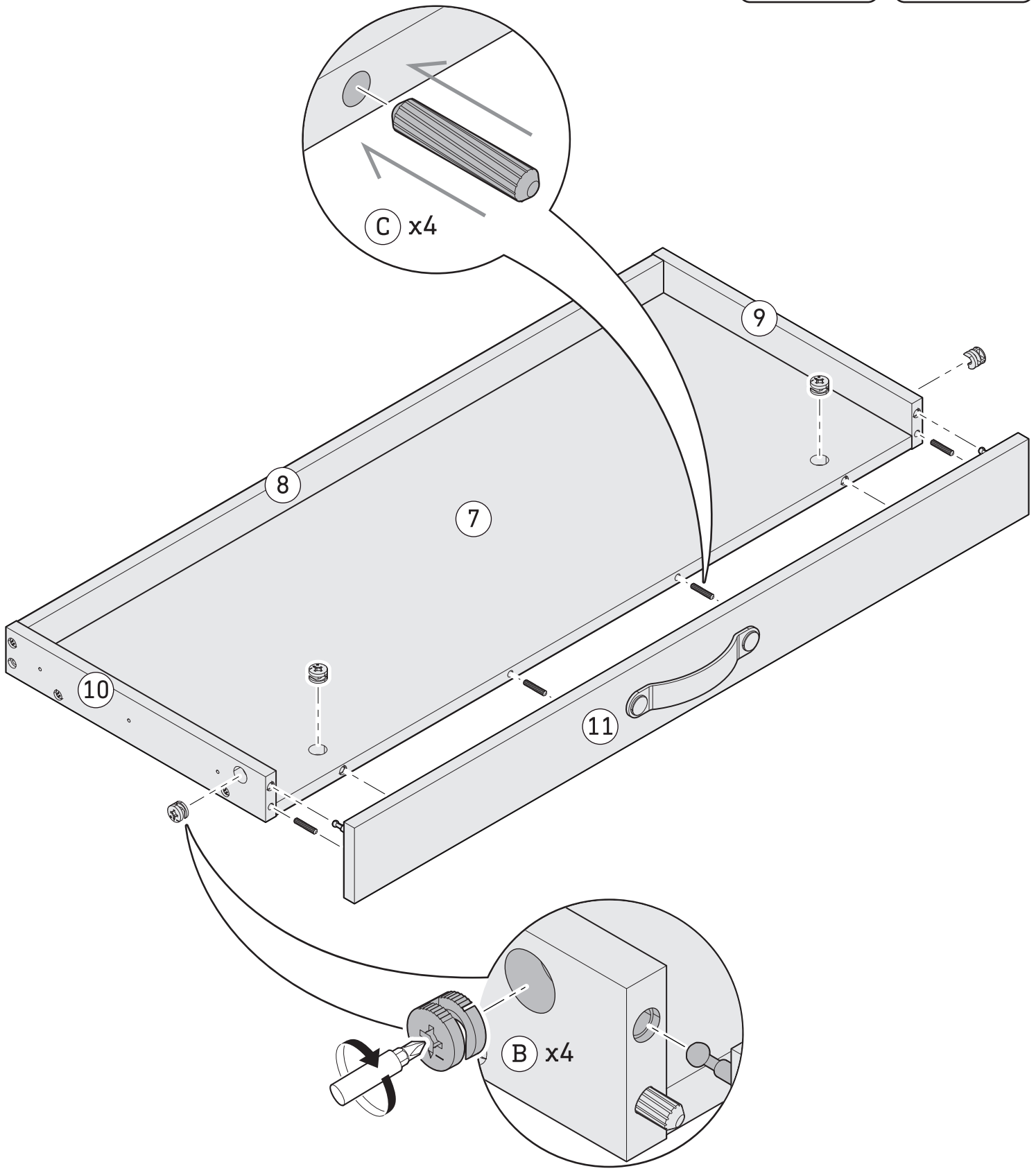
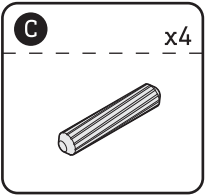
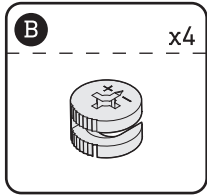
Step 9



Step 10




Step 11

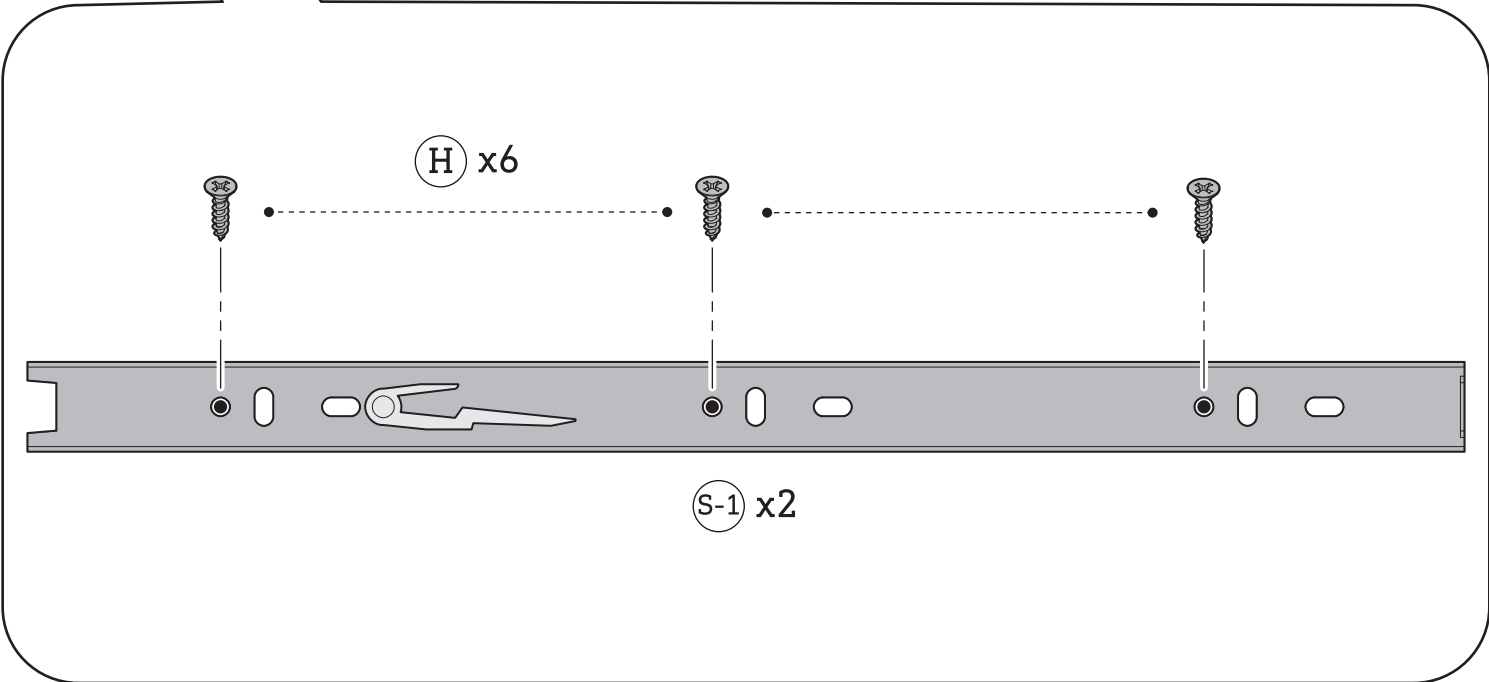
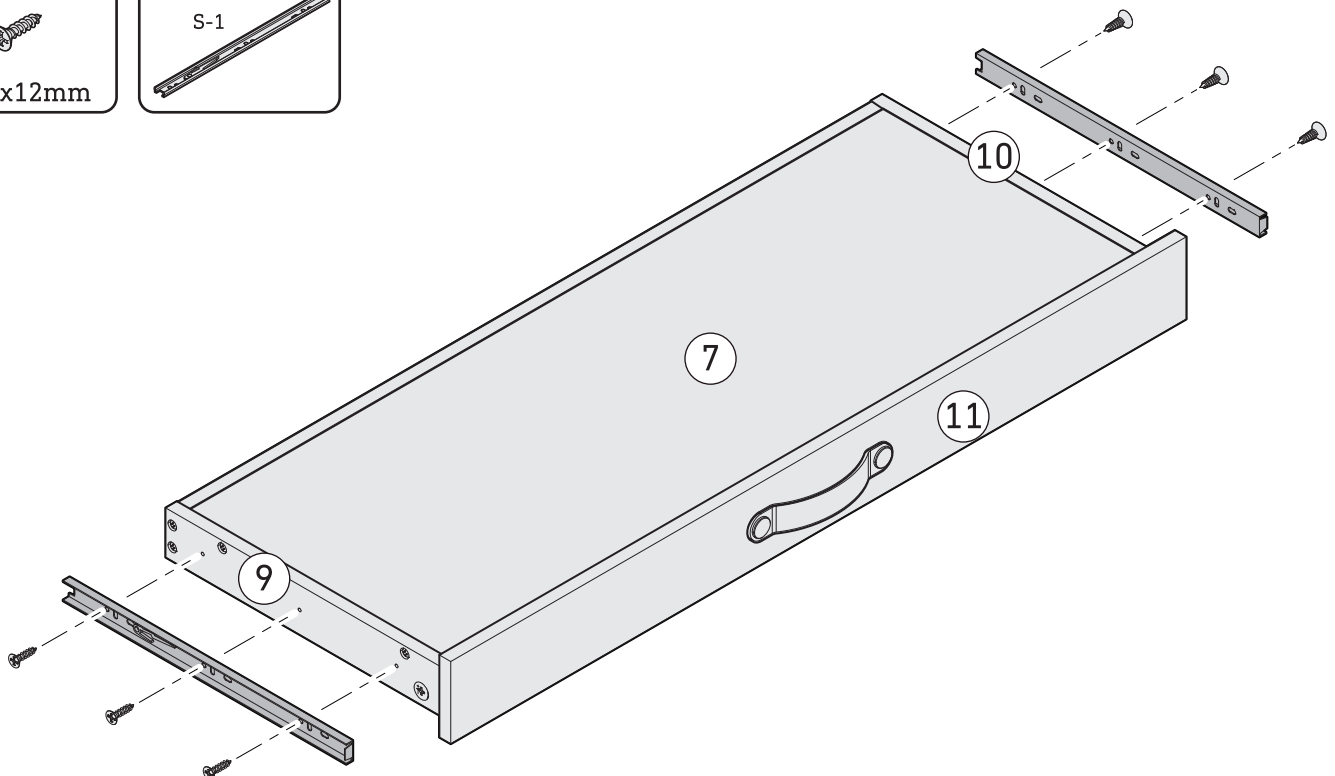
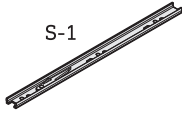


Step 12

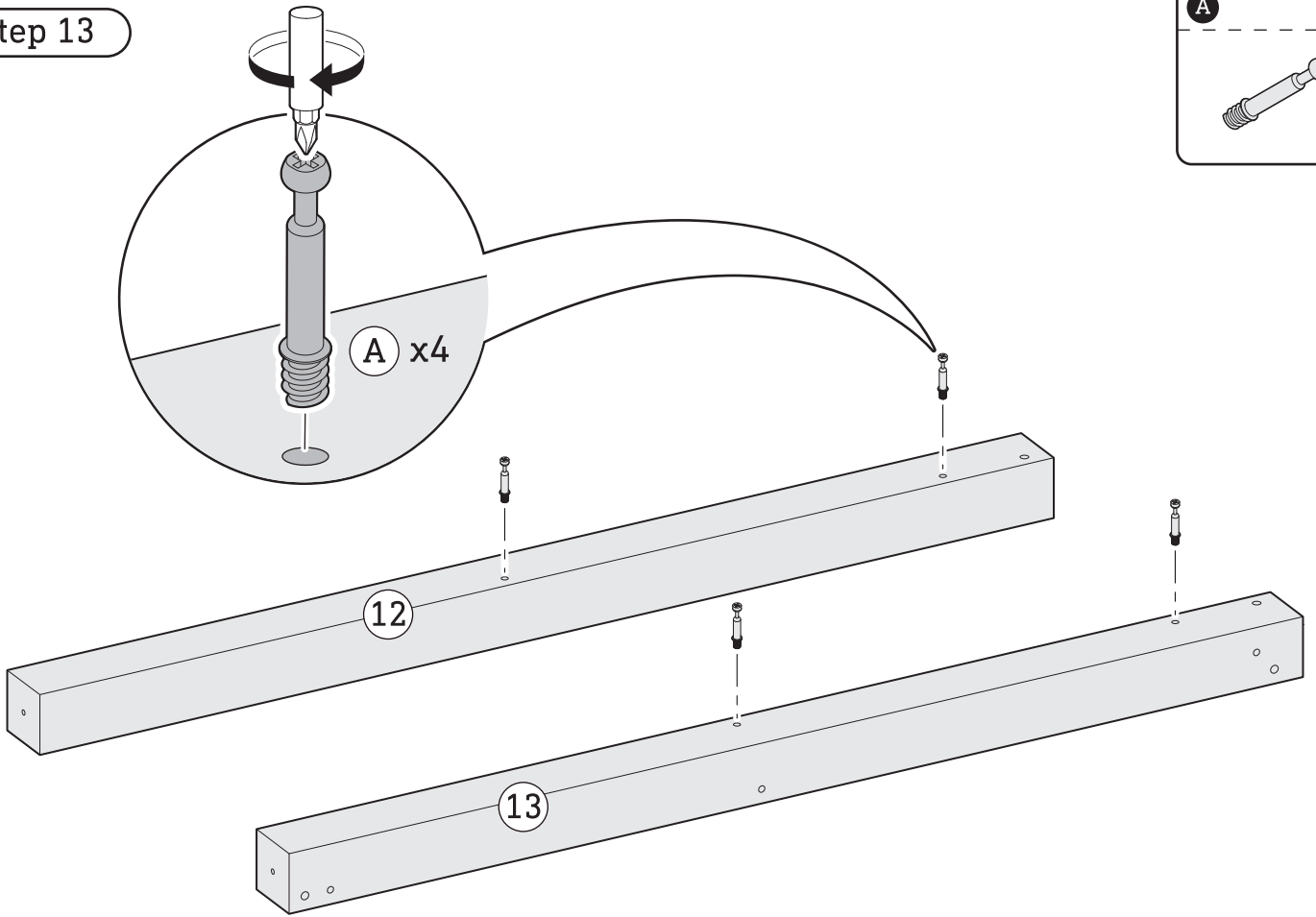
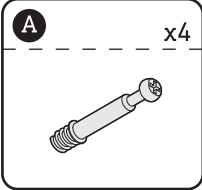
H x6
M3.5x12mm



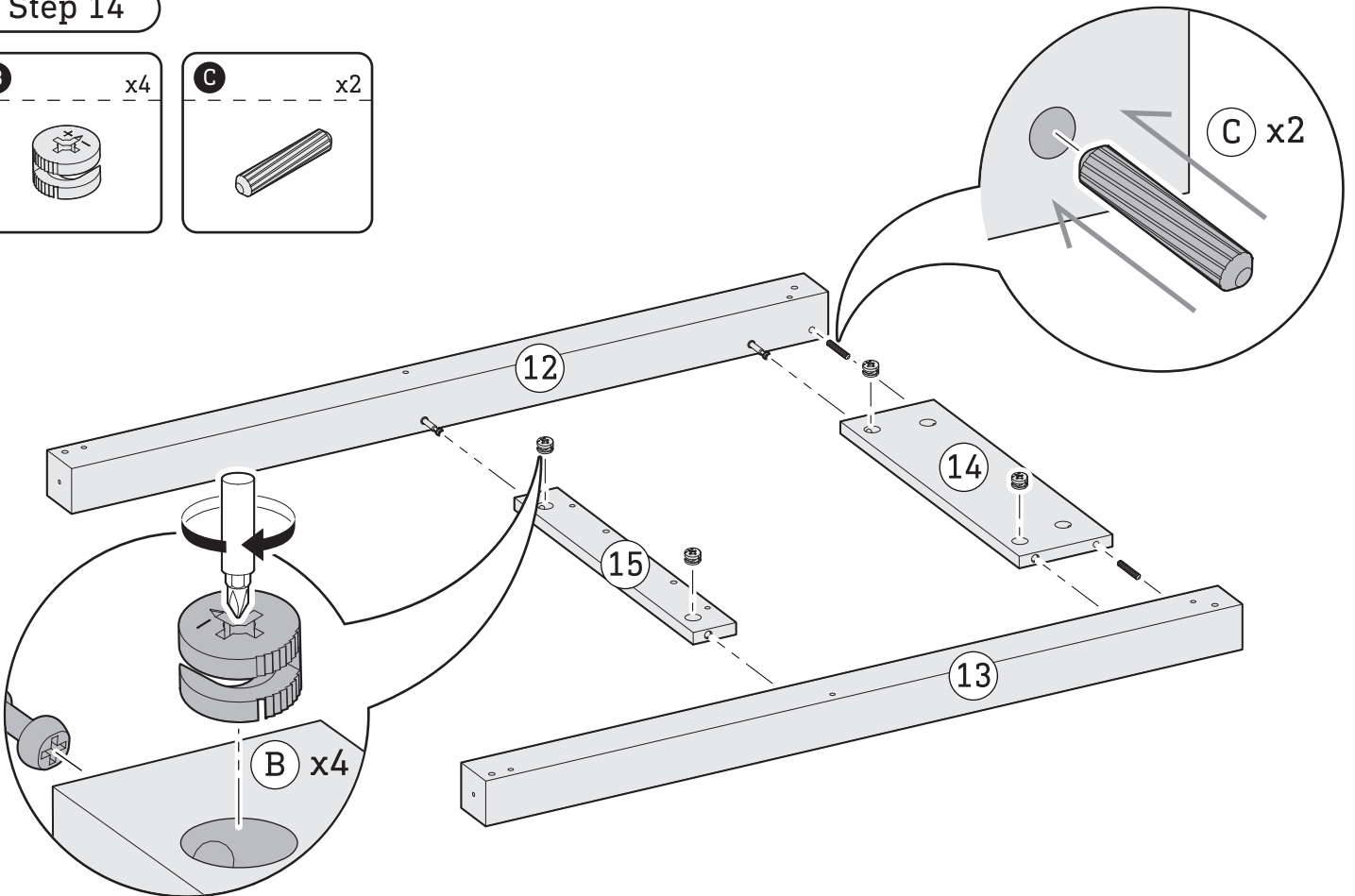
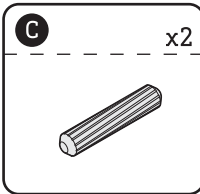
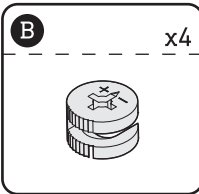
S x2
S-1



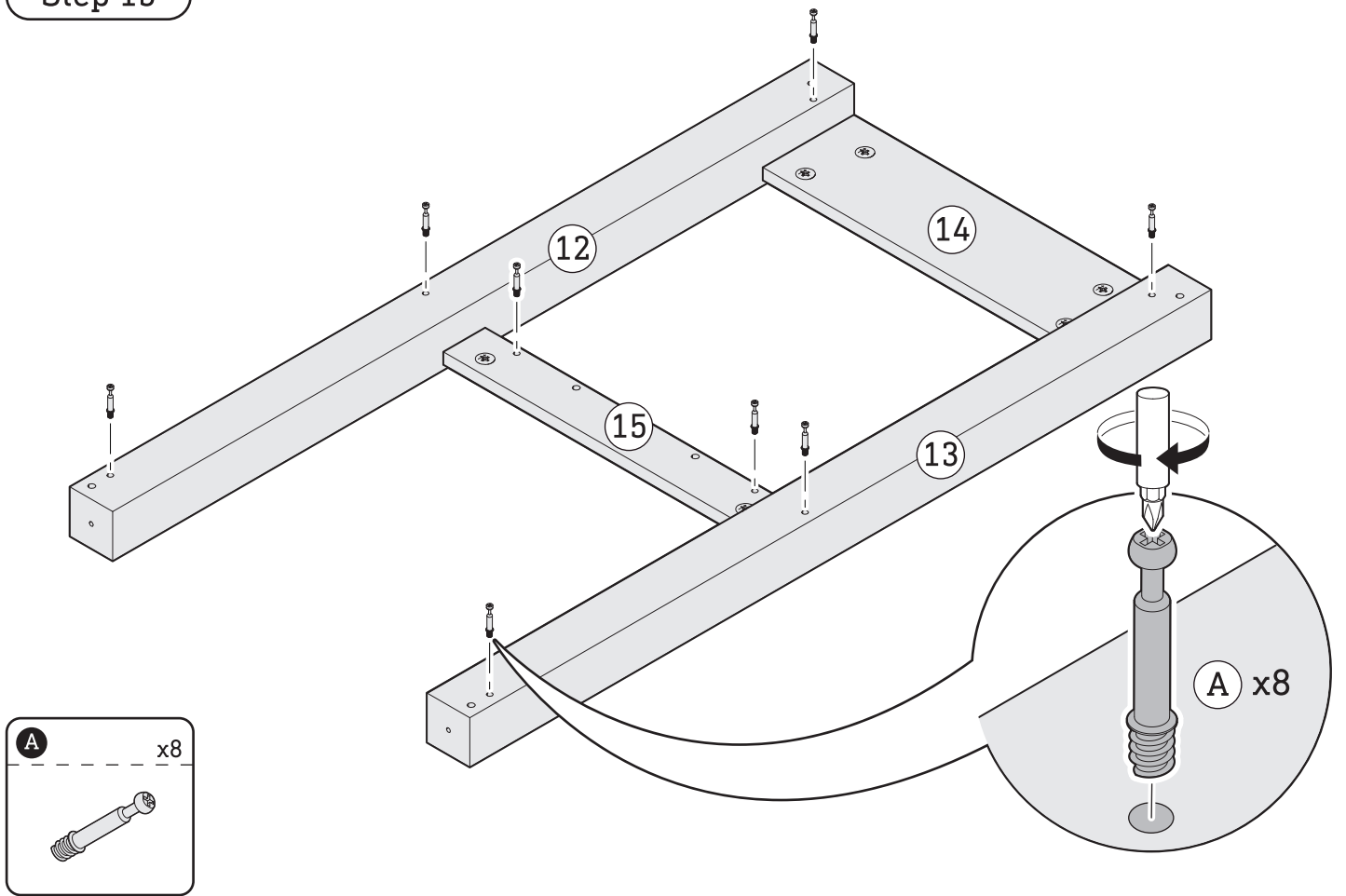
Step 13



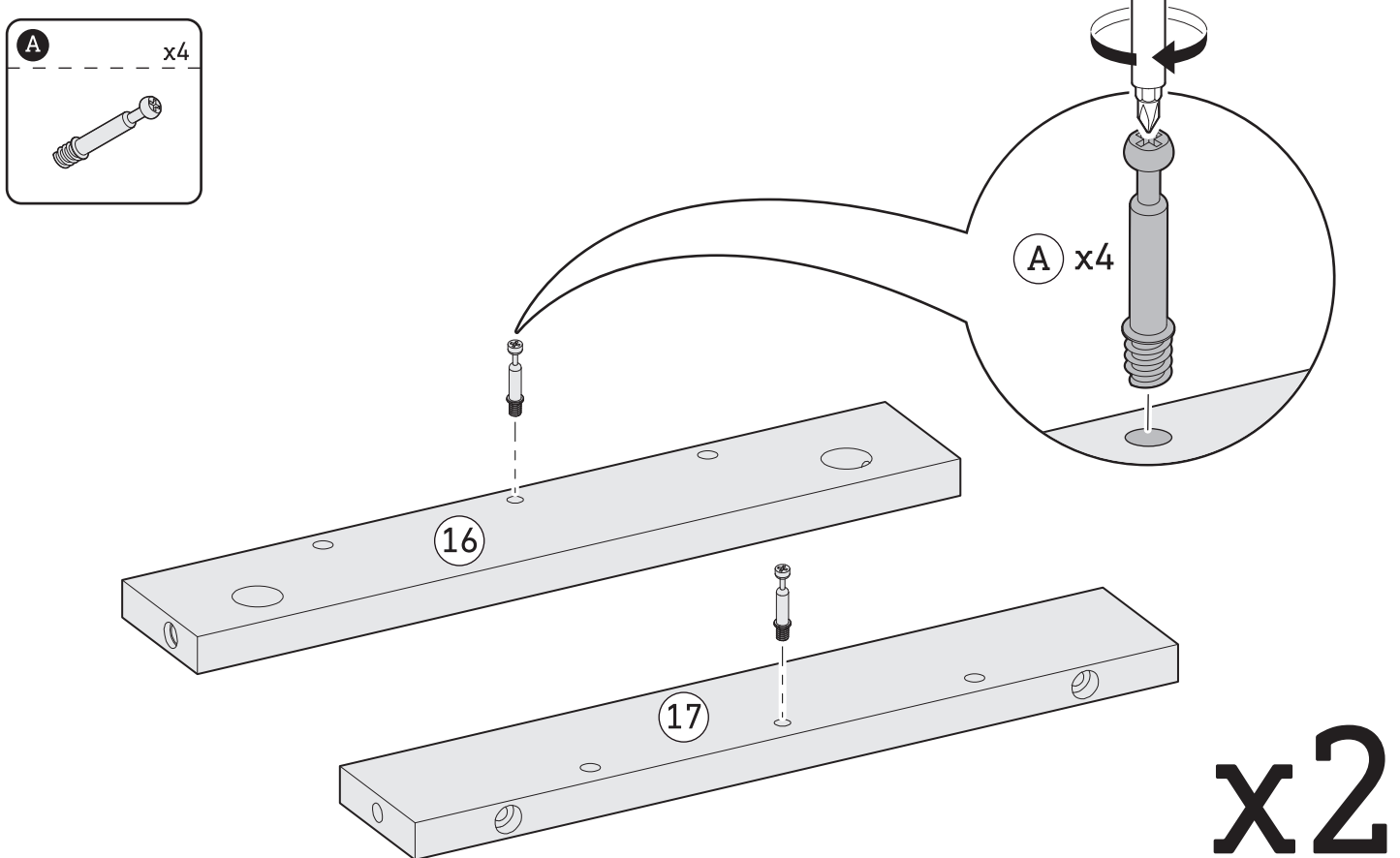
Step 14



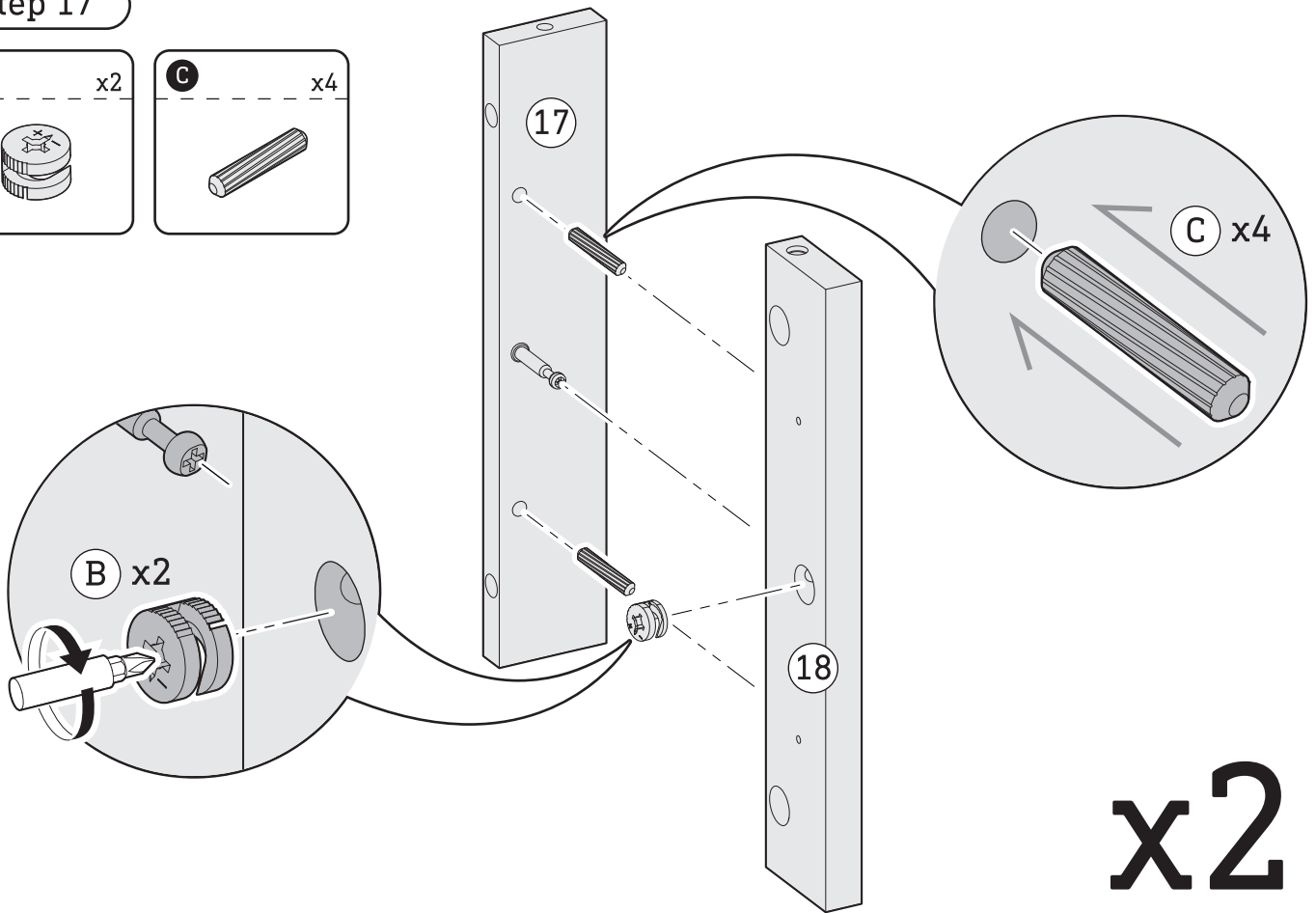
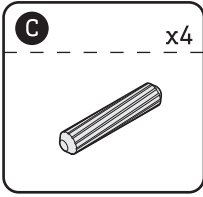
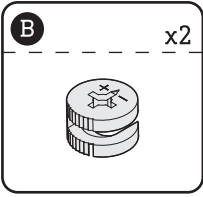
Step 15



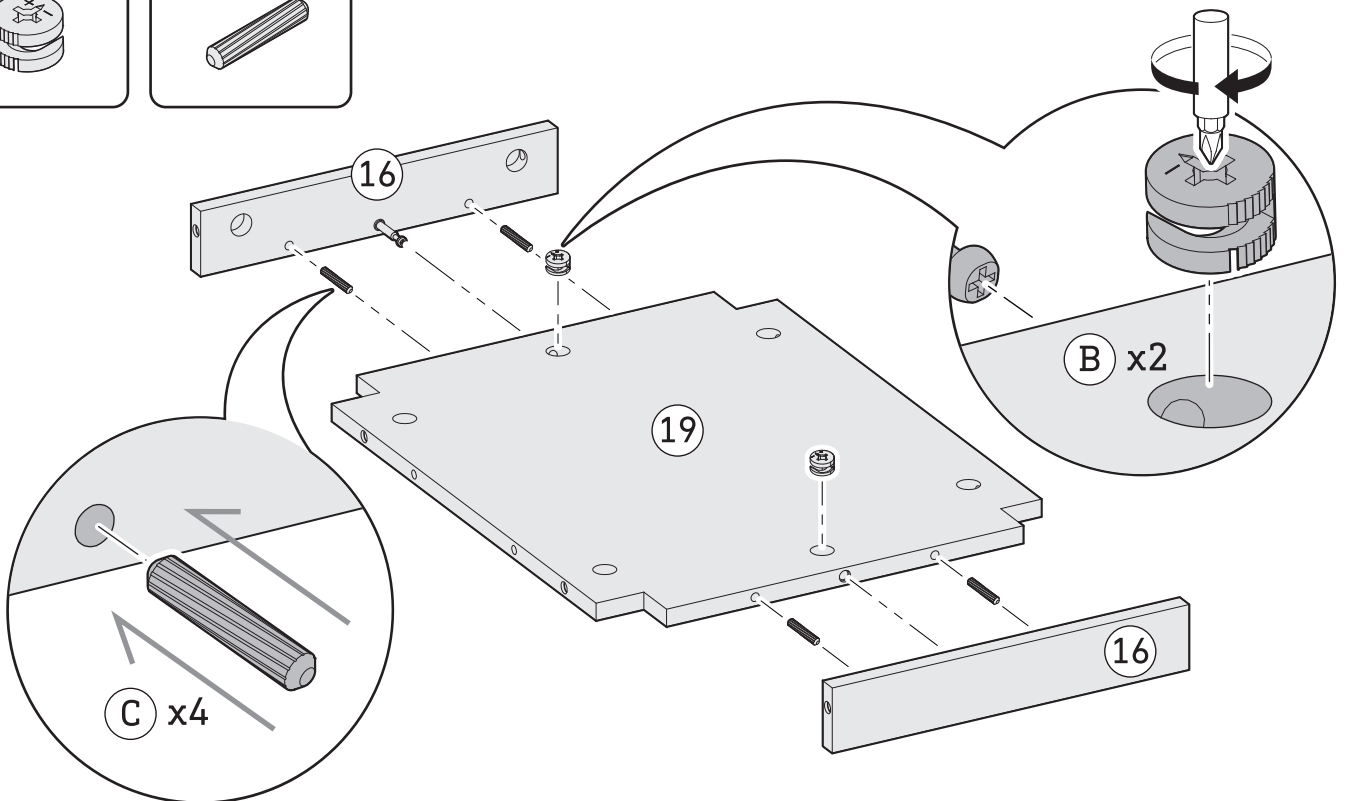
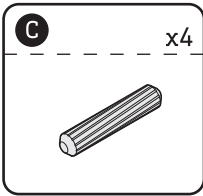
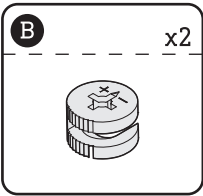
Step 16



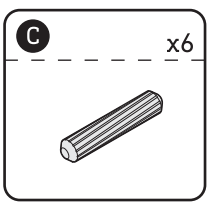
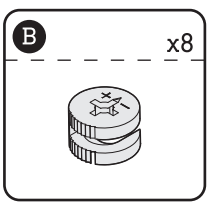
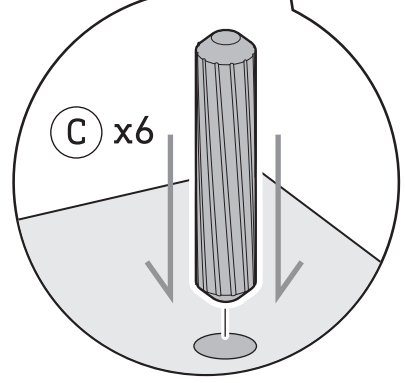
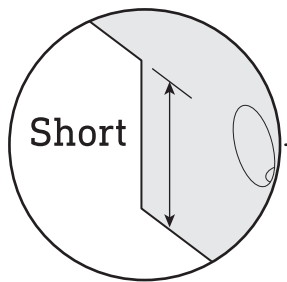
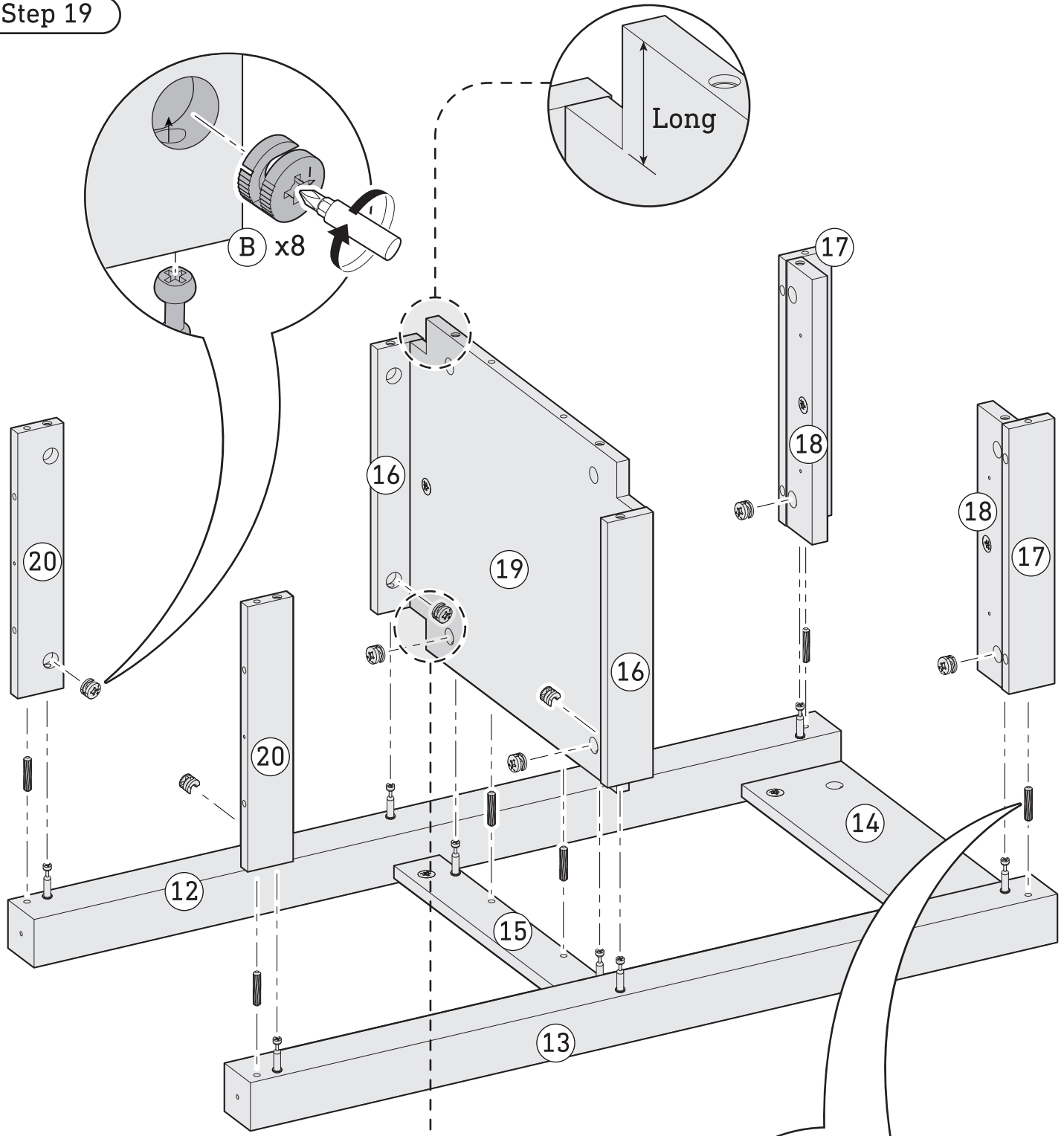
Step 17



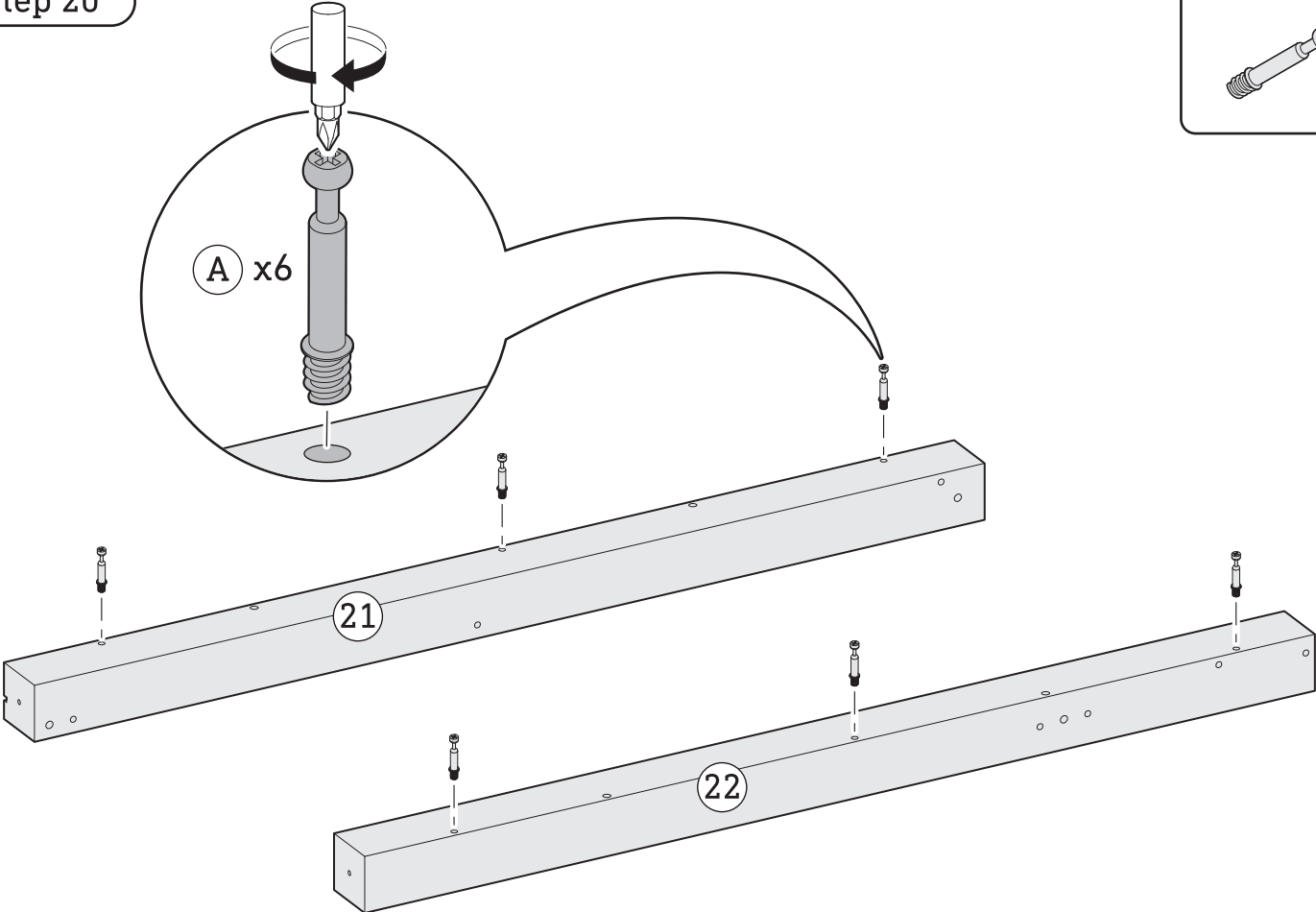
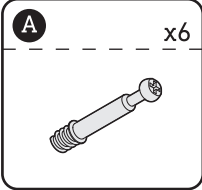
Step 18



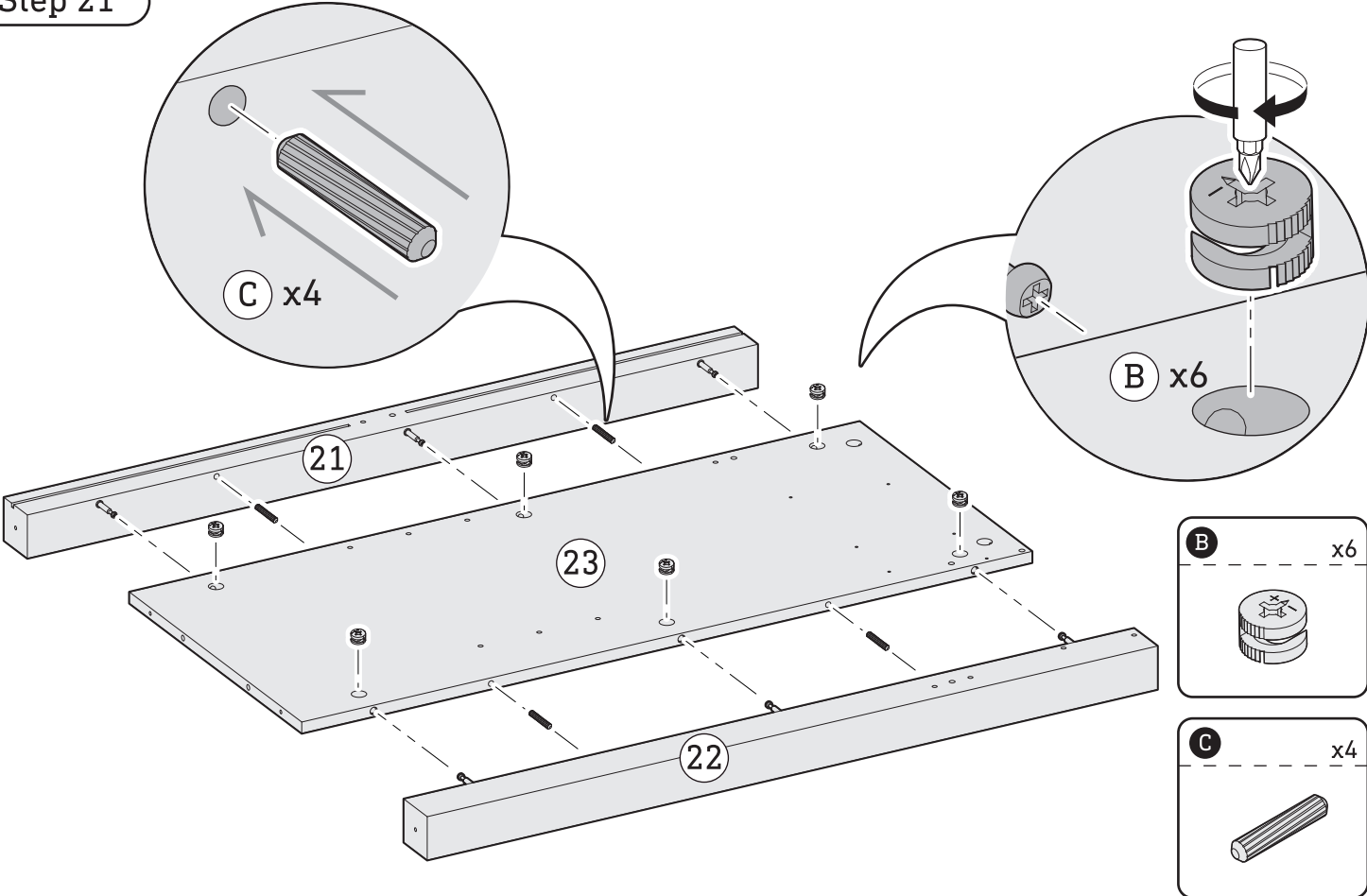
Step 19



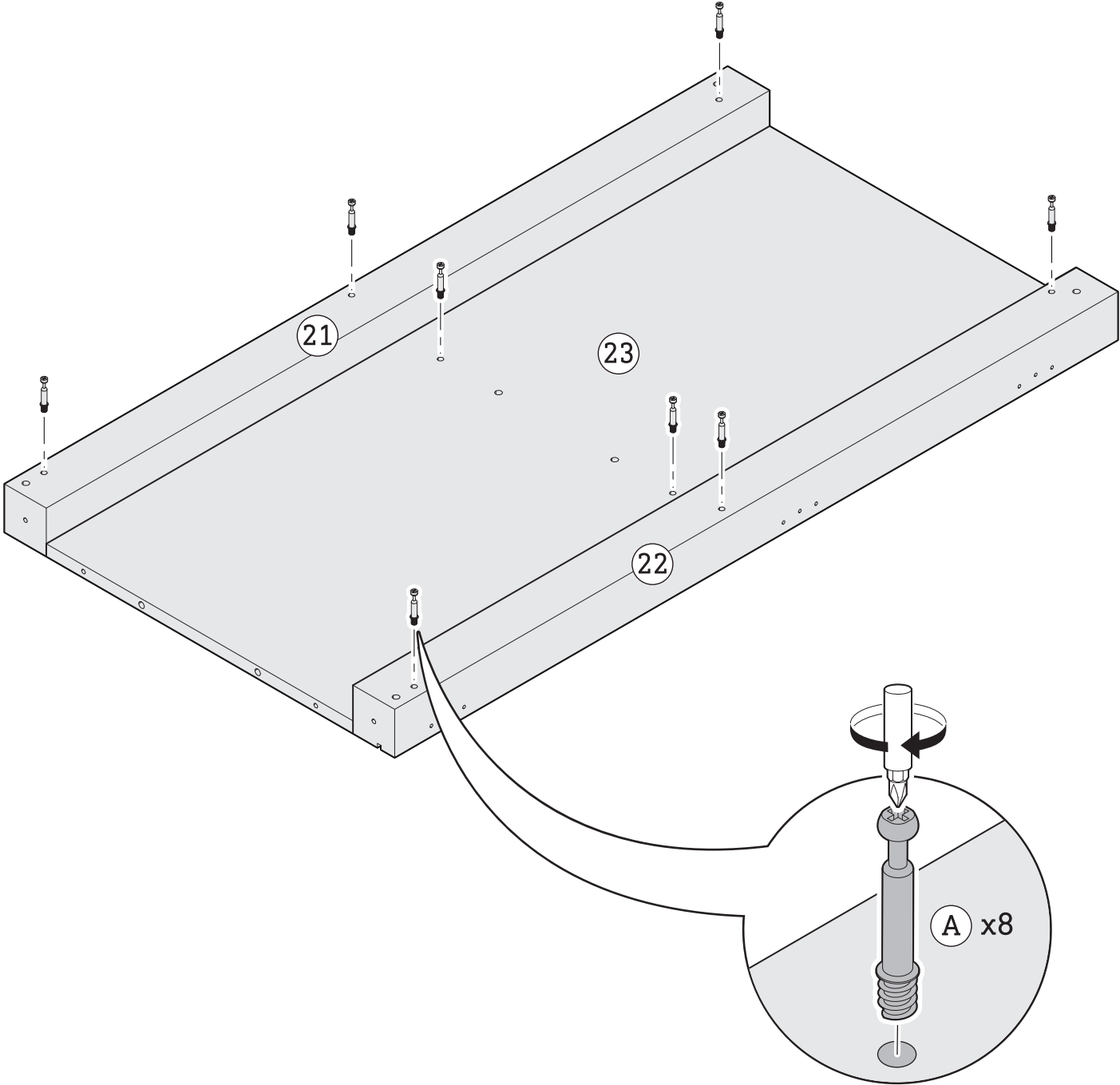
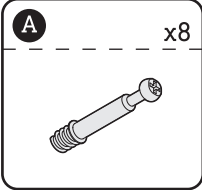
Step 20



Step 21



Step 22

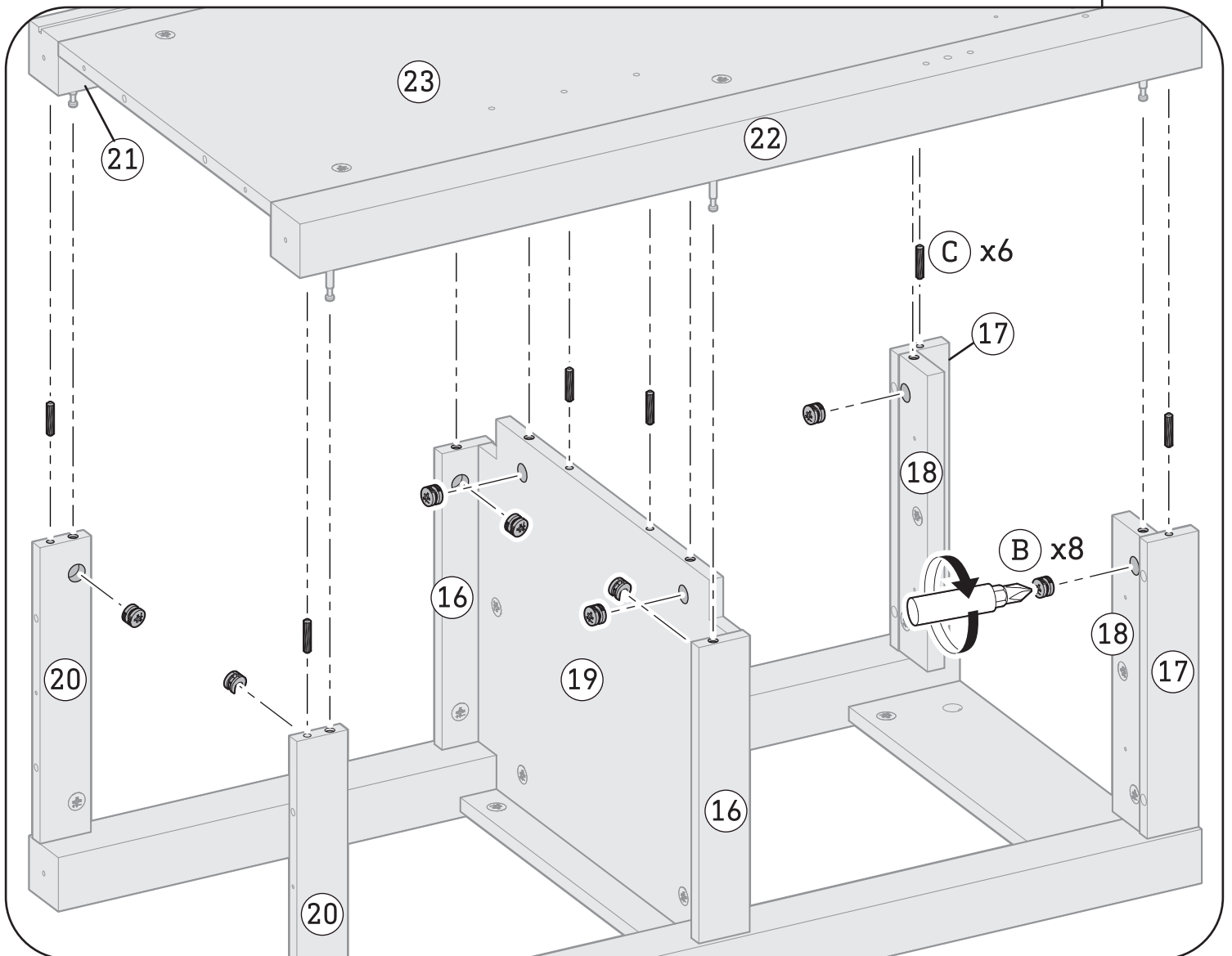
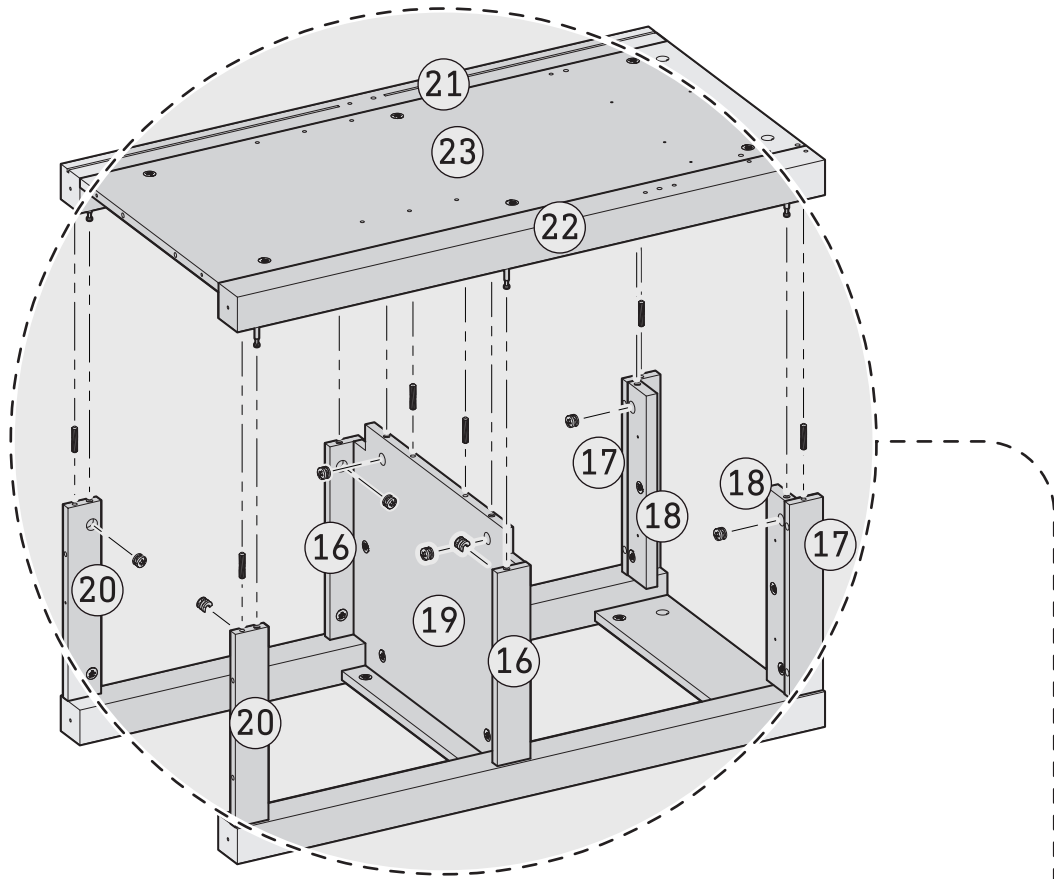
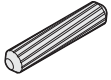


Step 23

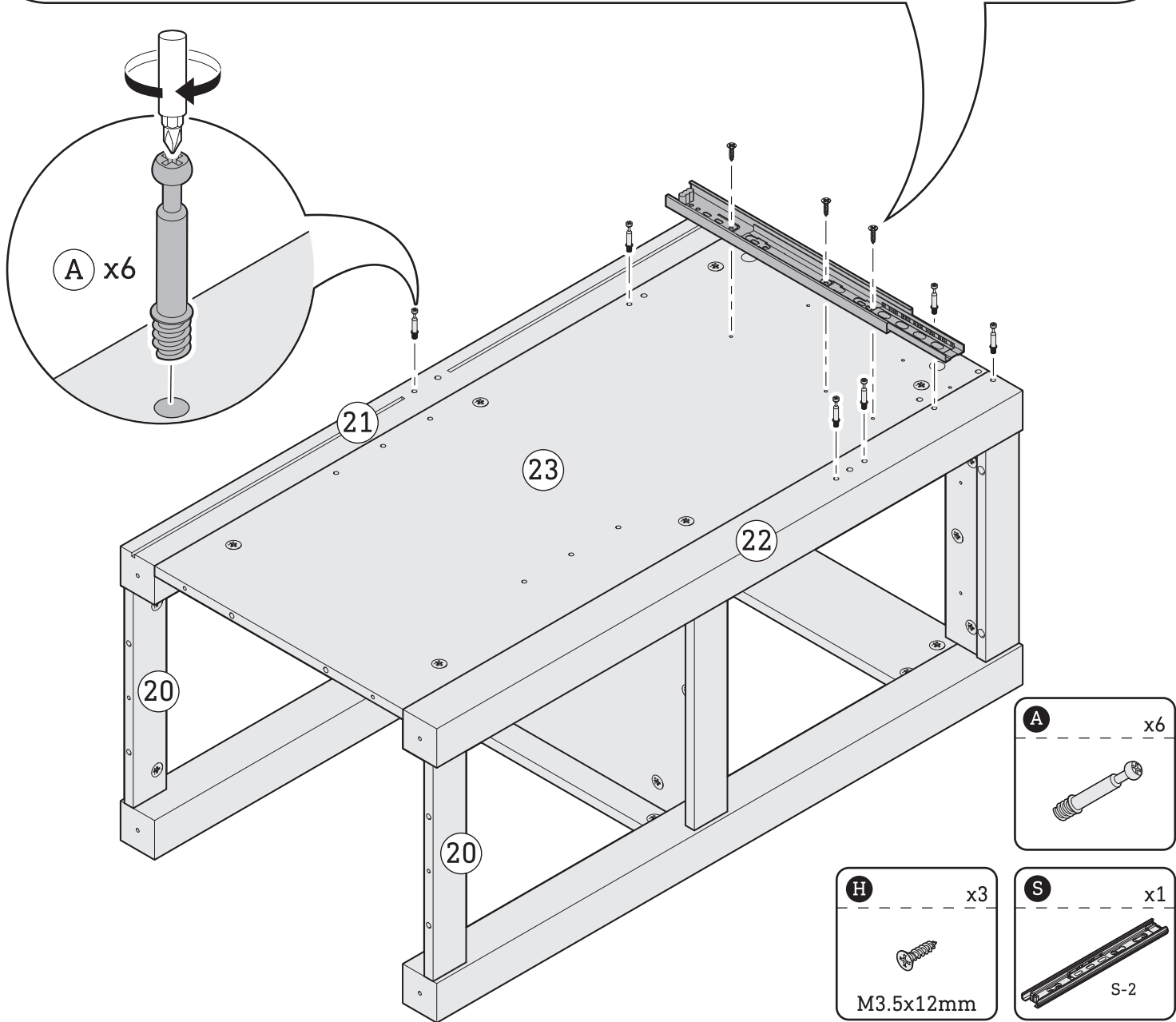
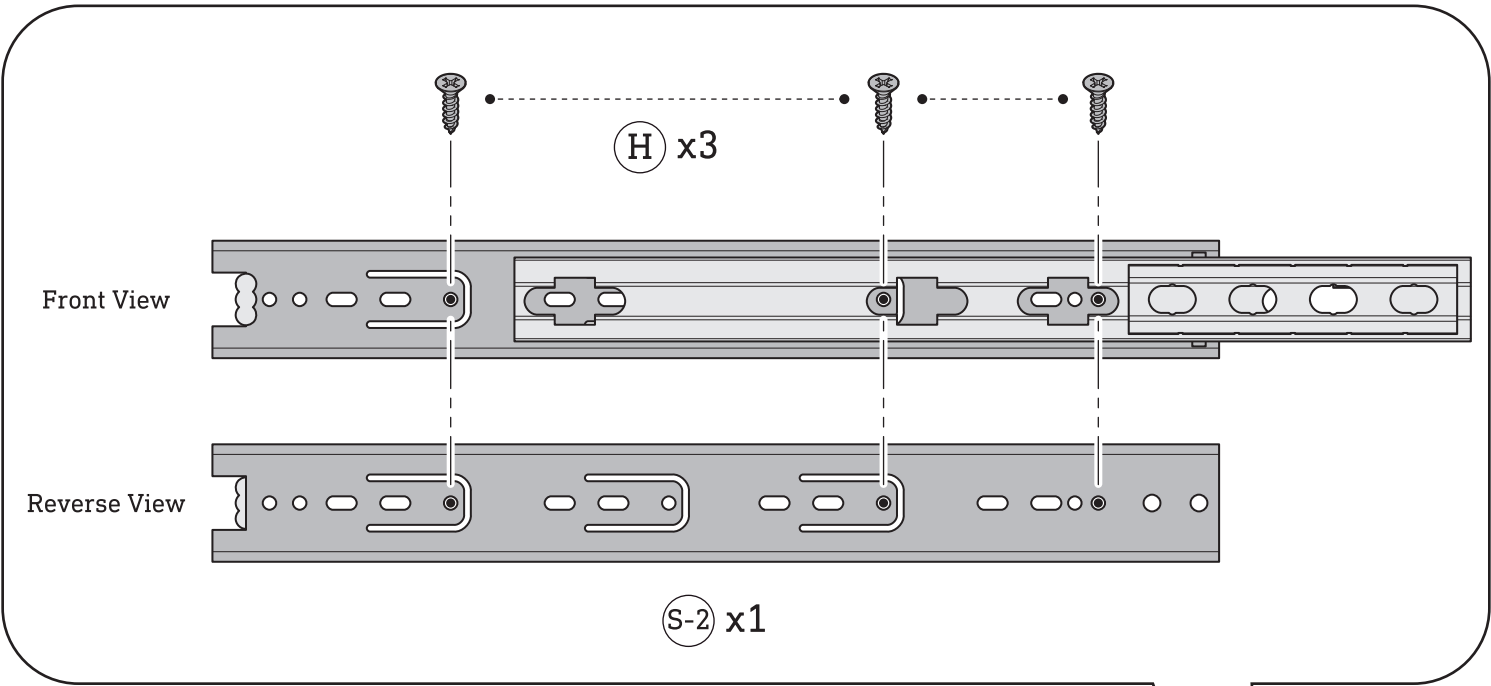
B x8



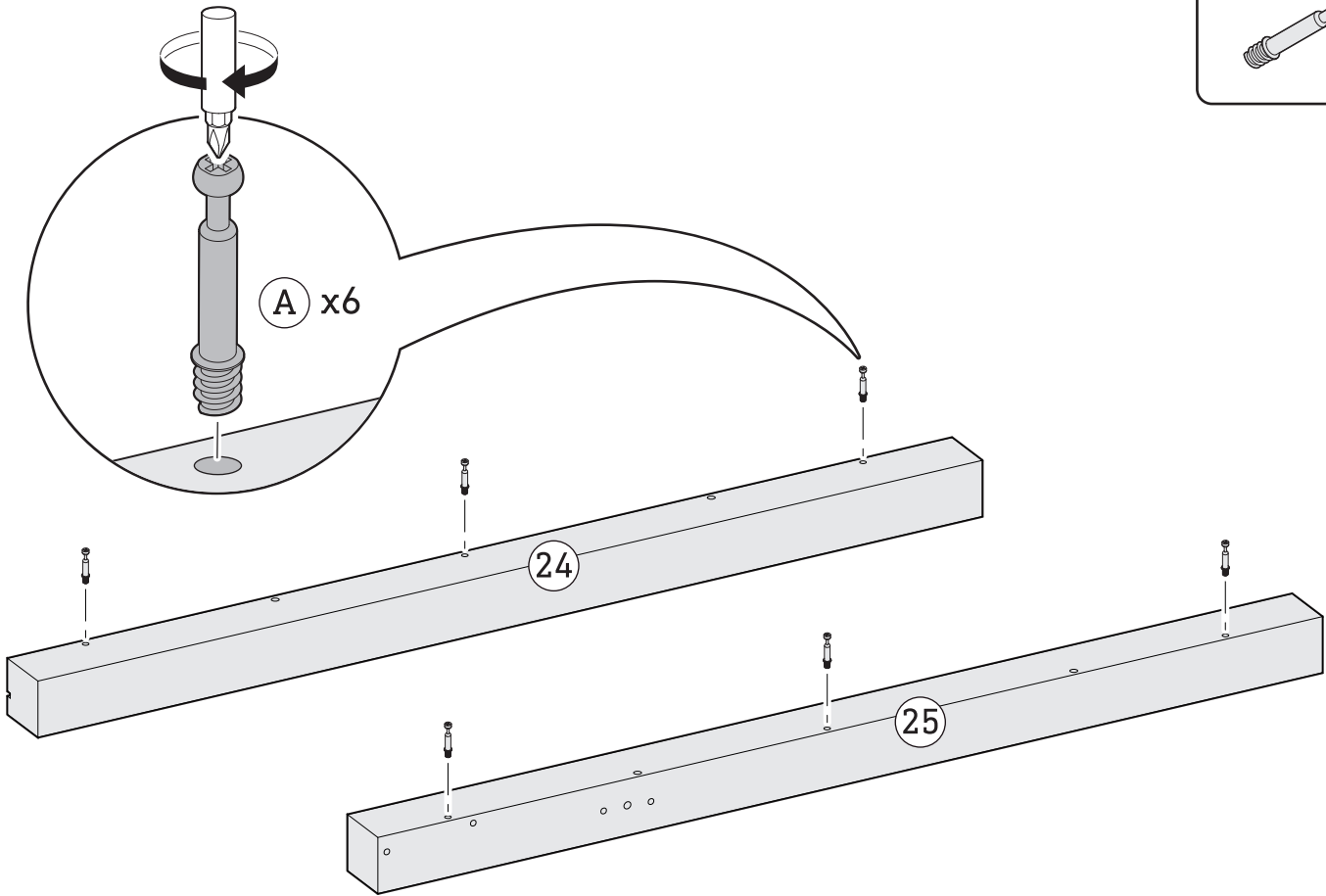
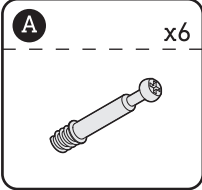
C x6



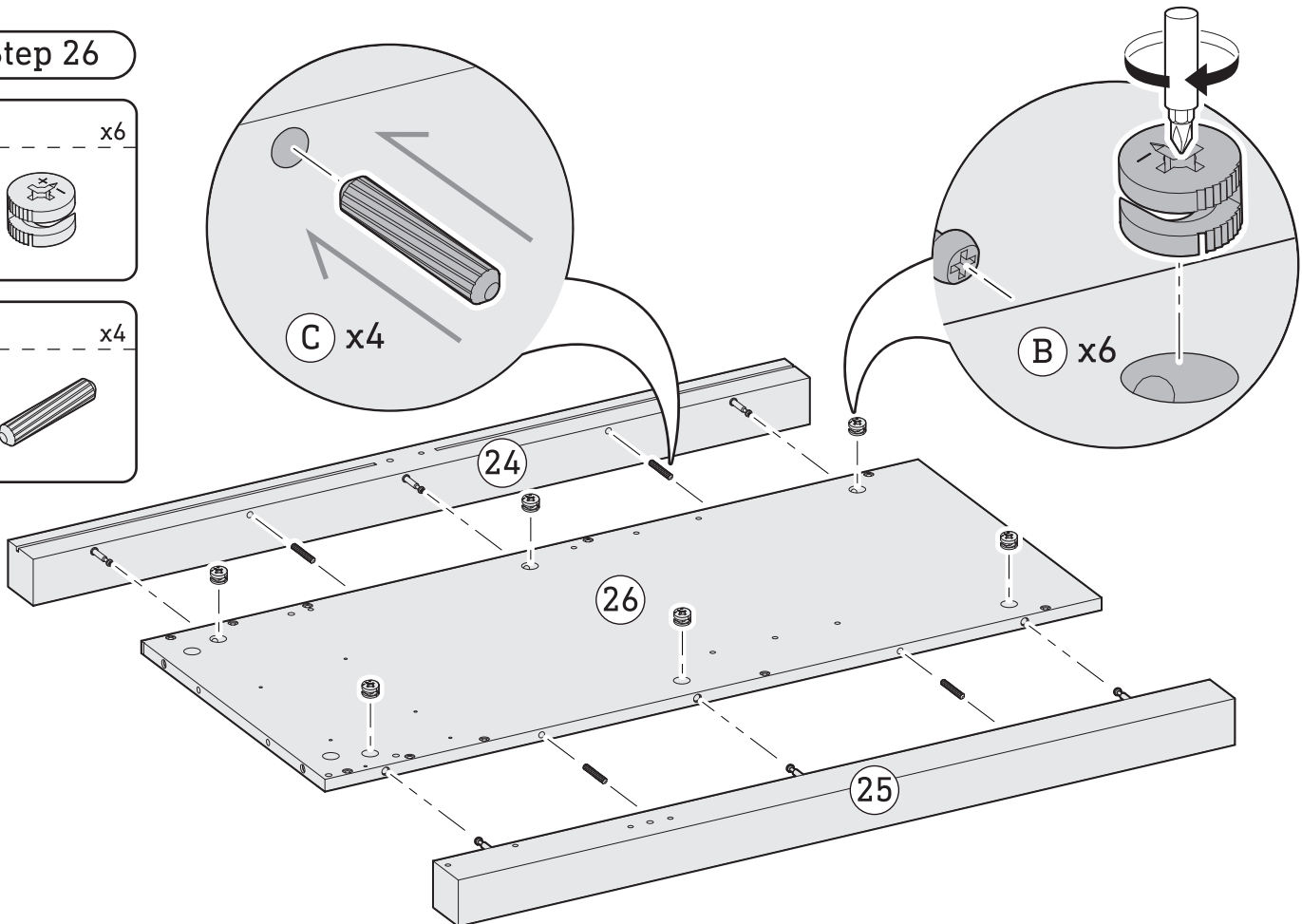
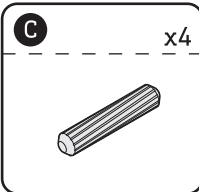
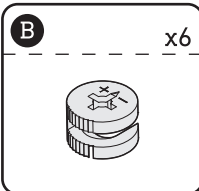
Step 24



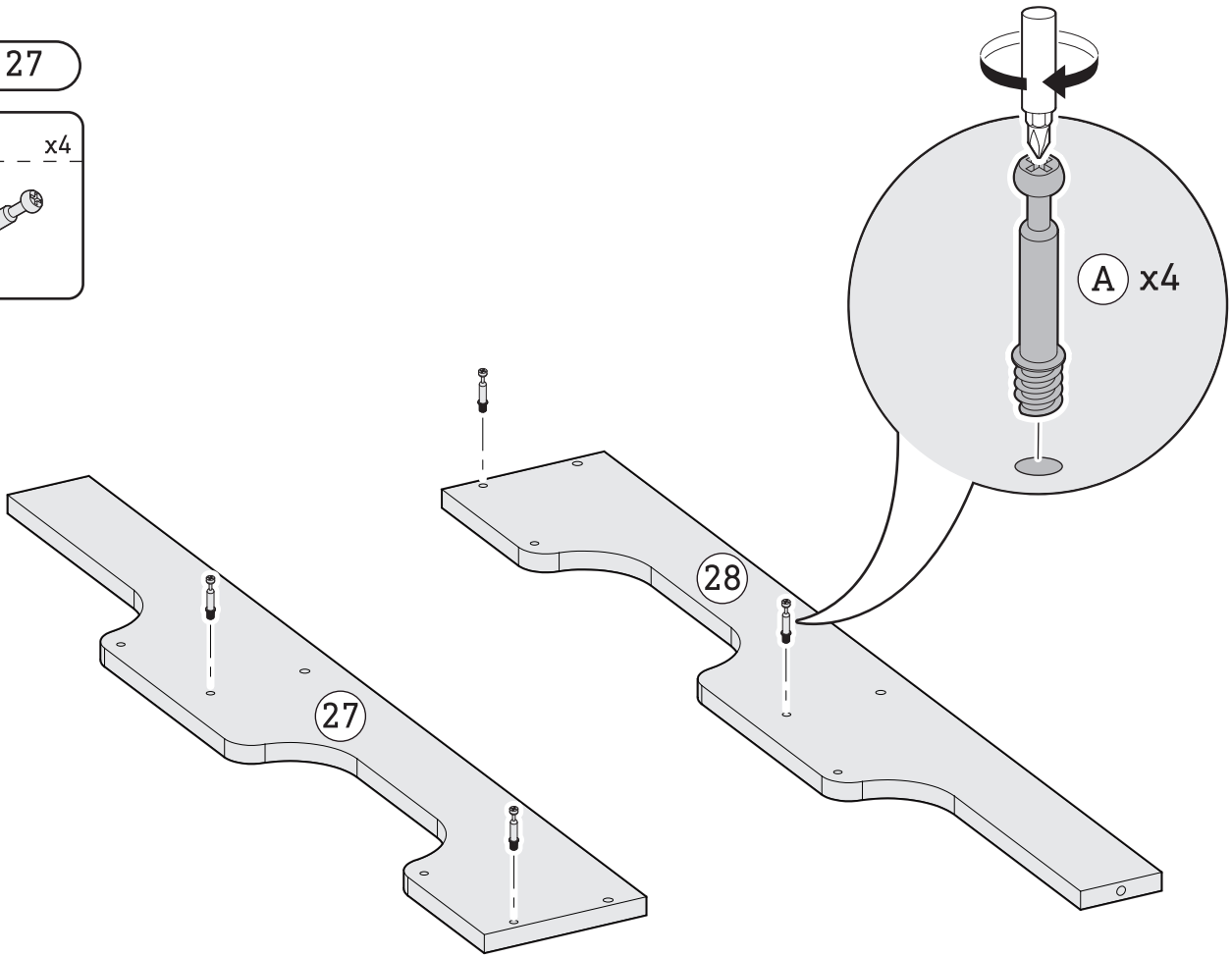
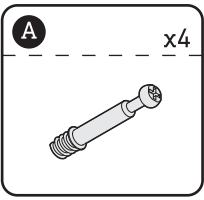
Step 25



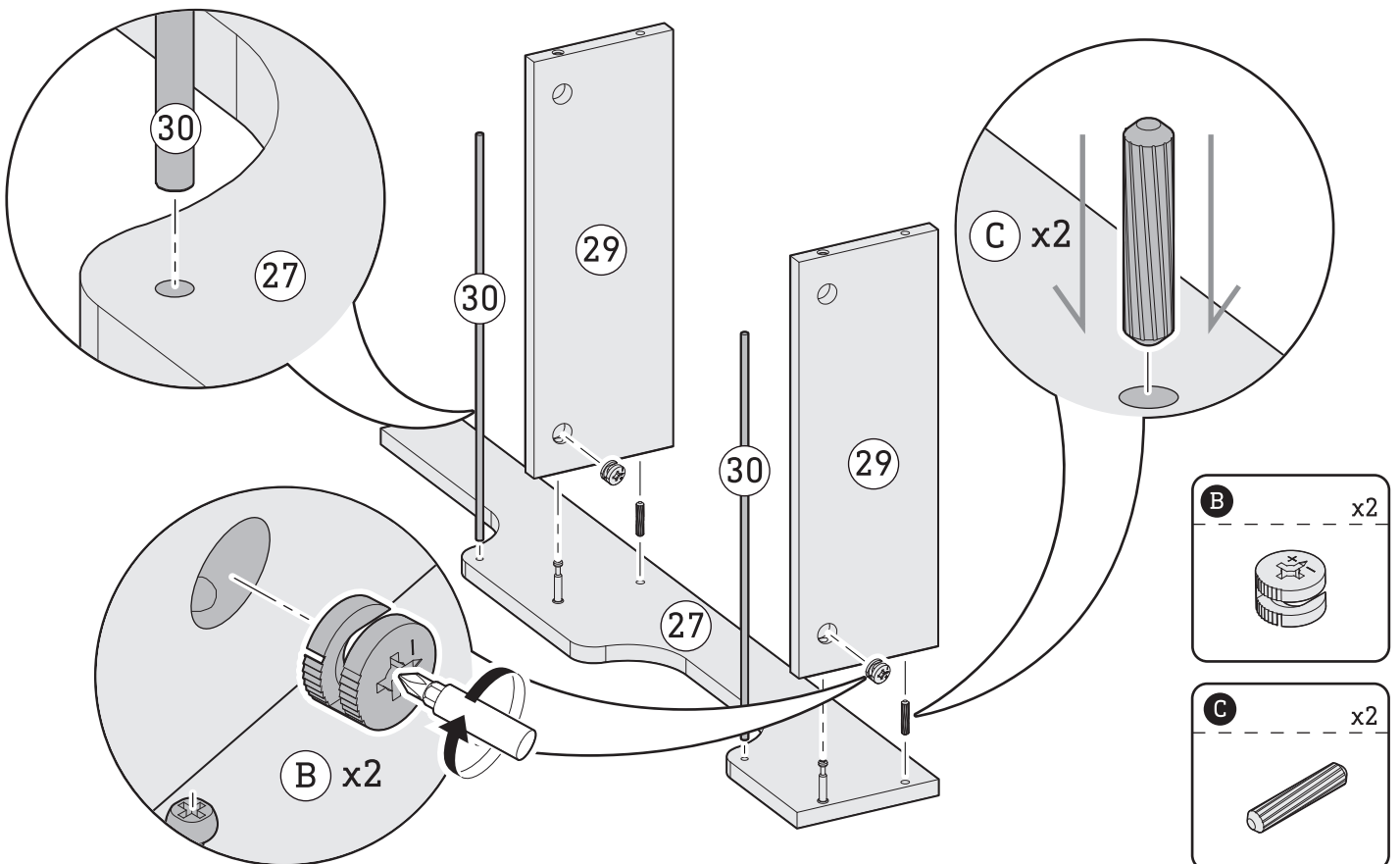
Step 26



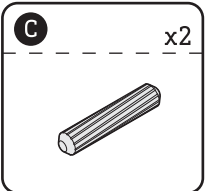
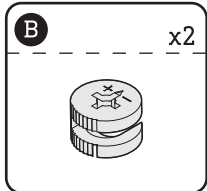
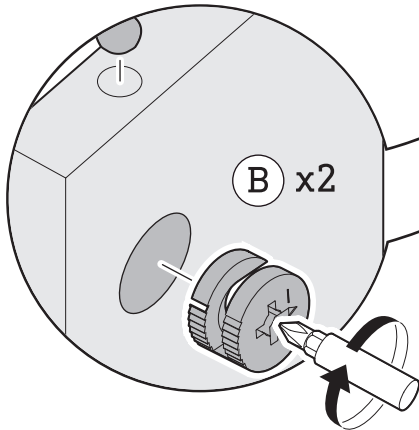
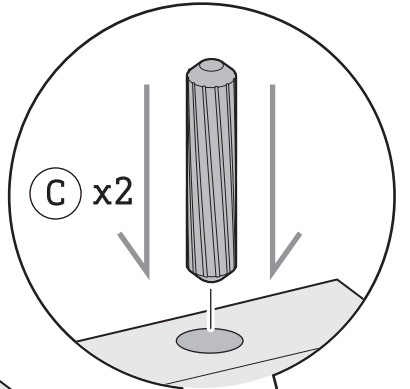
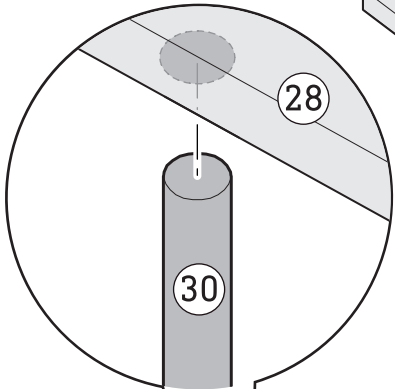
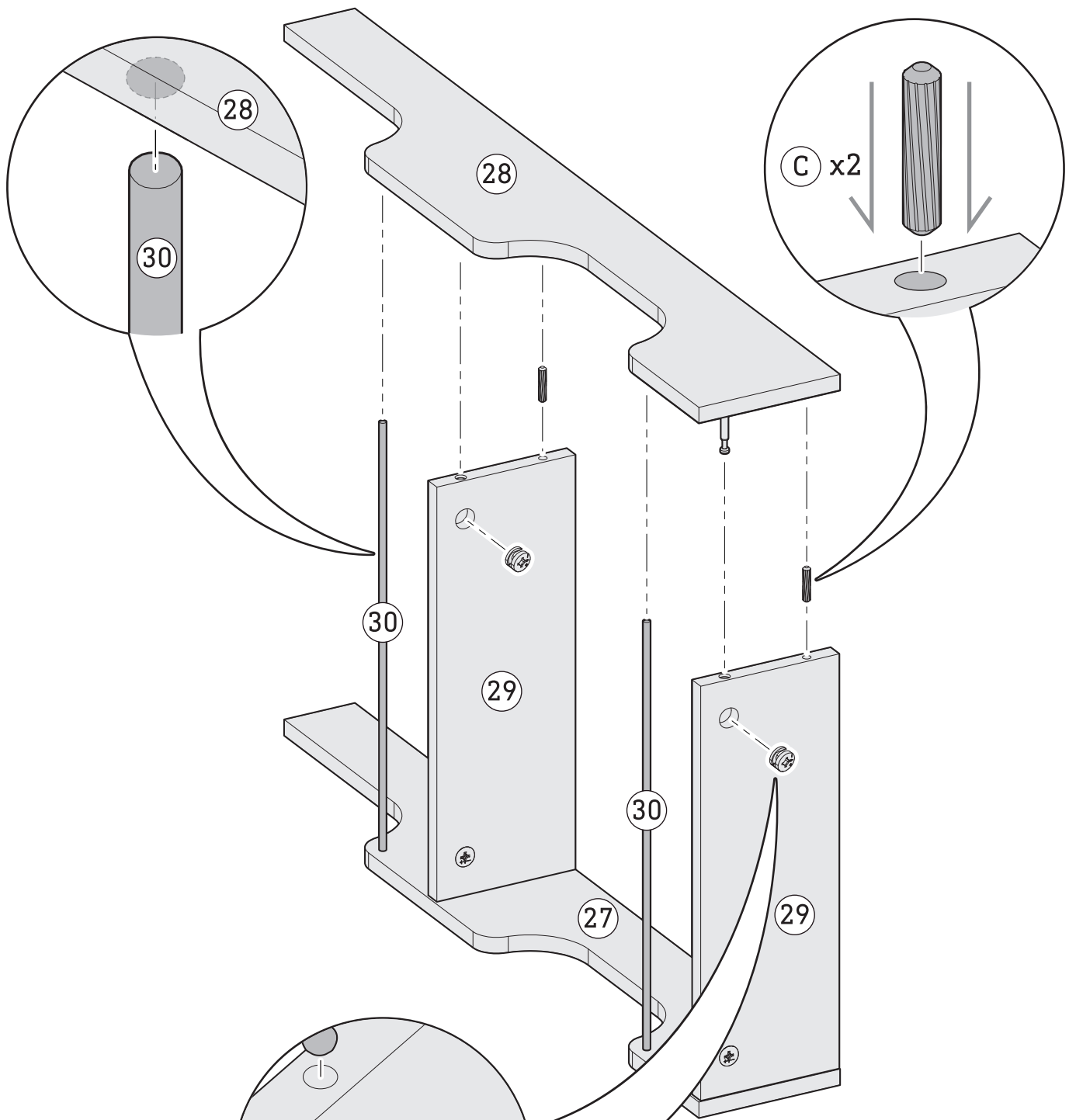
Step 27



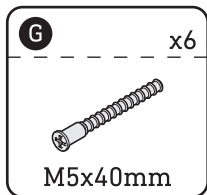
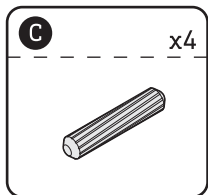
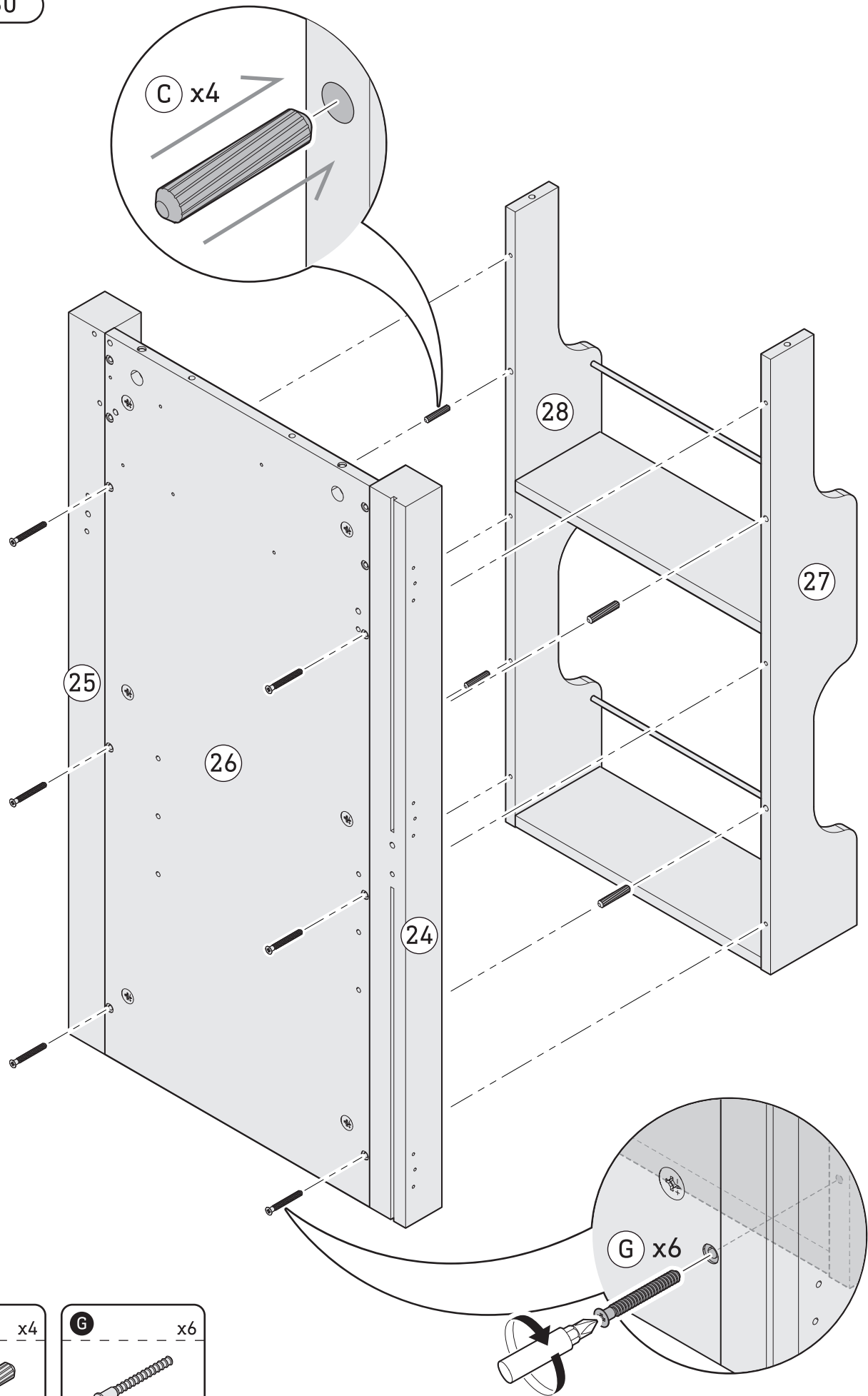
Step 28



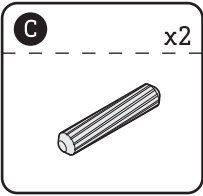
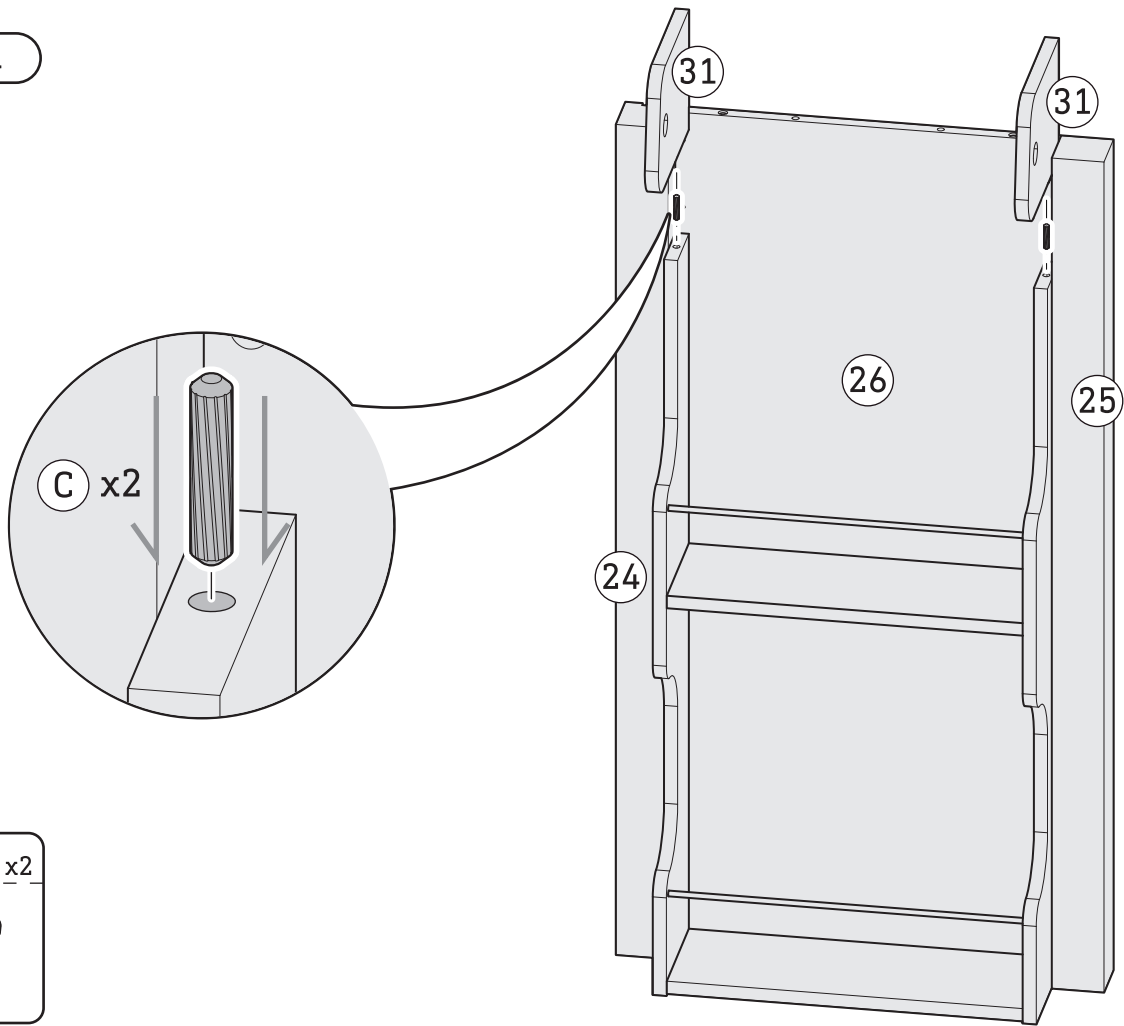
Step 29



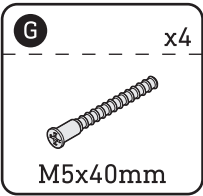
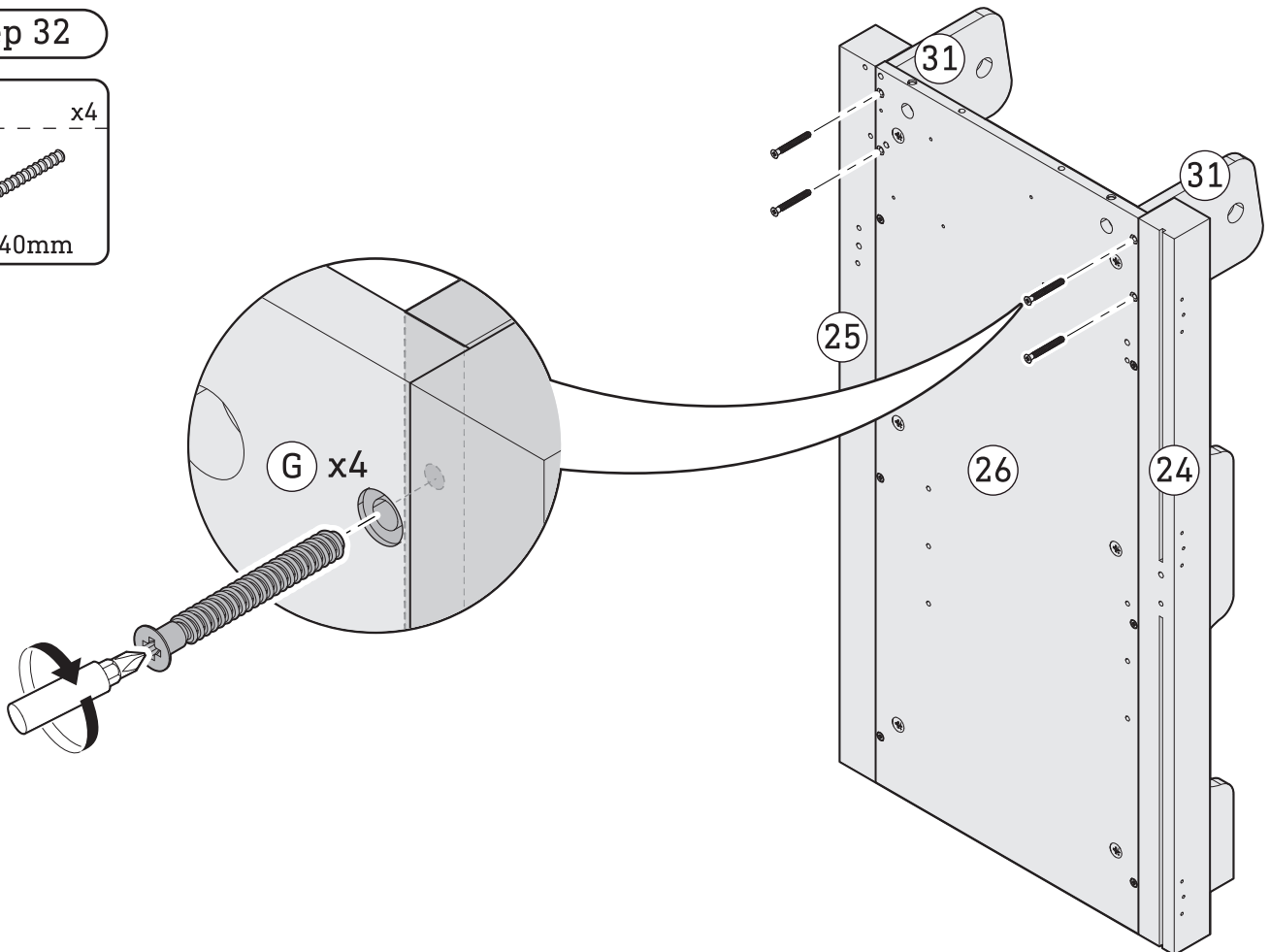
Step 30



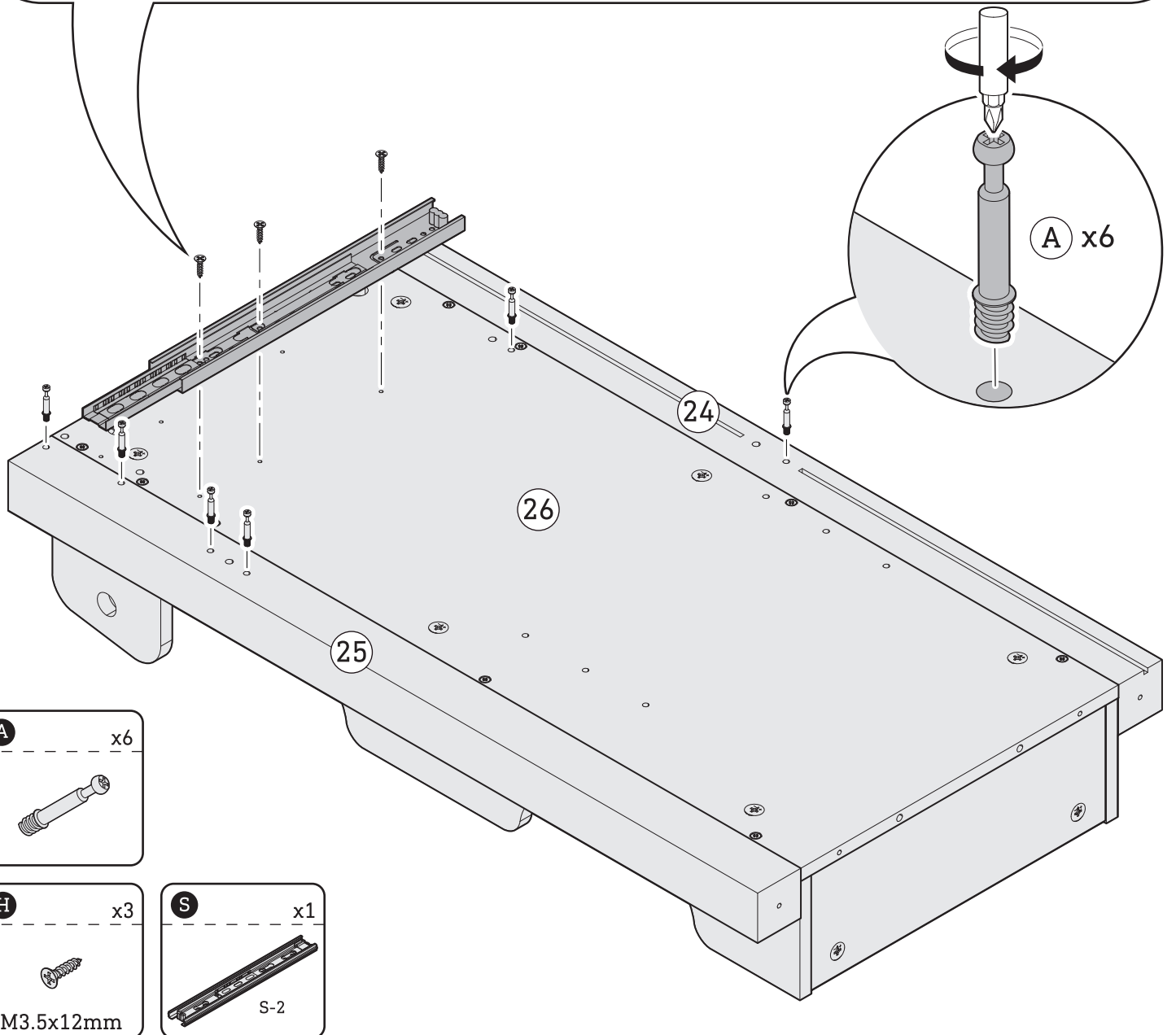
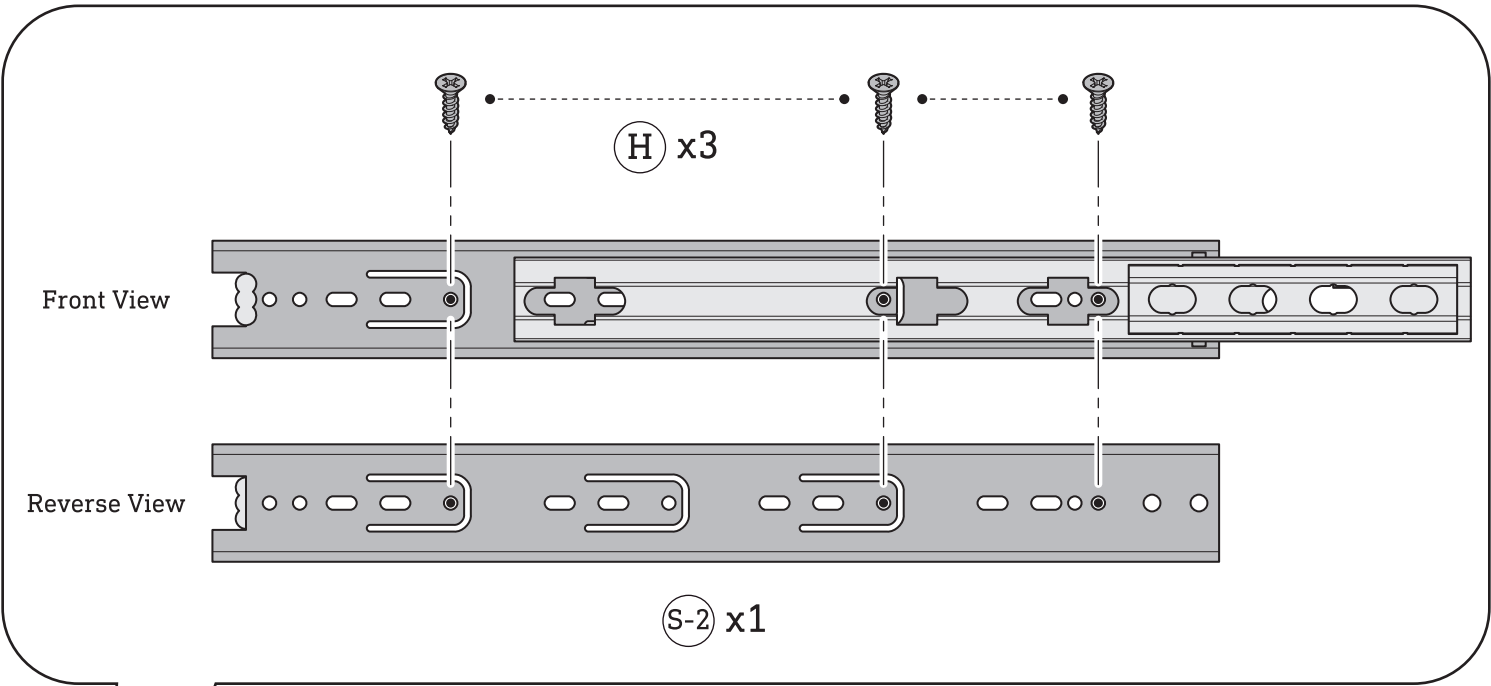
Step 31



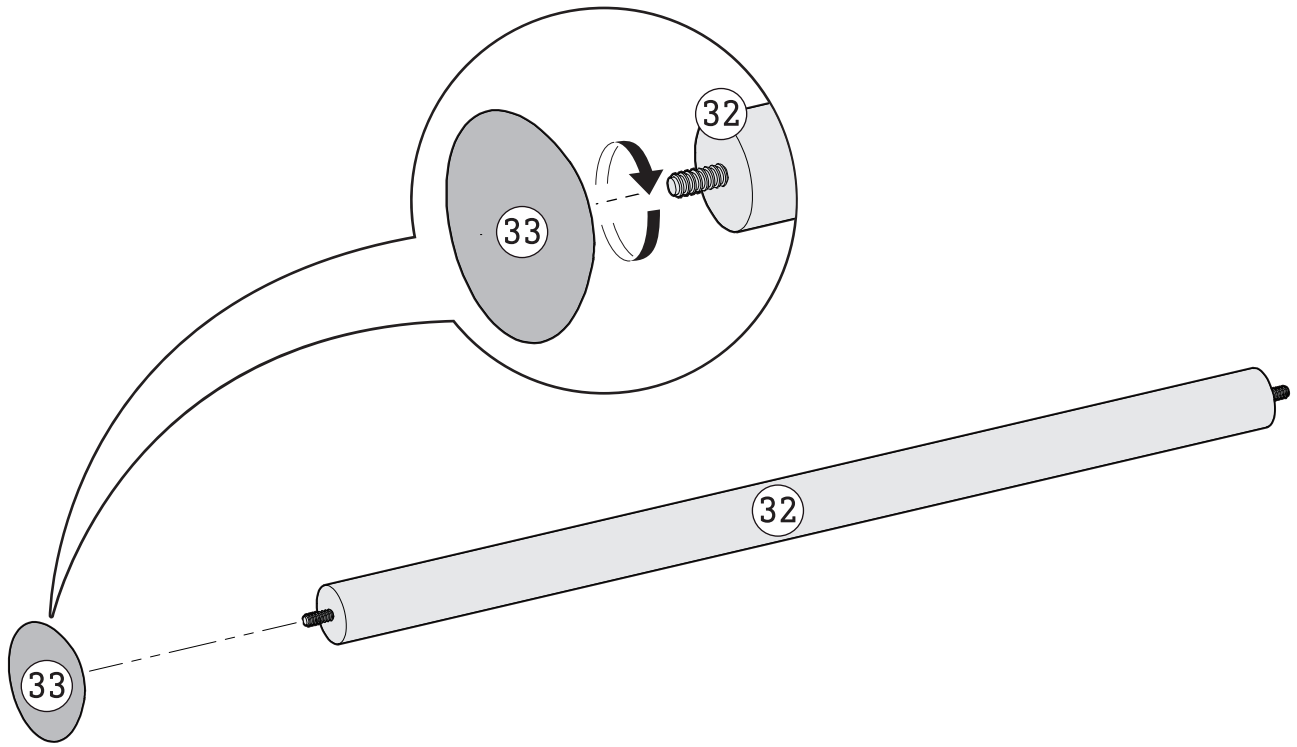
Step 32



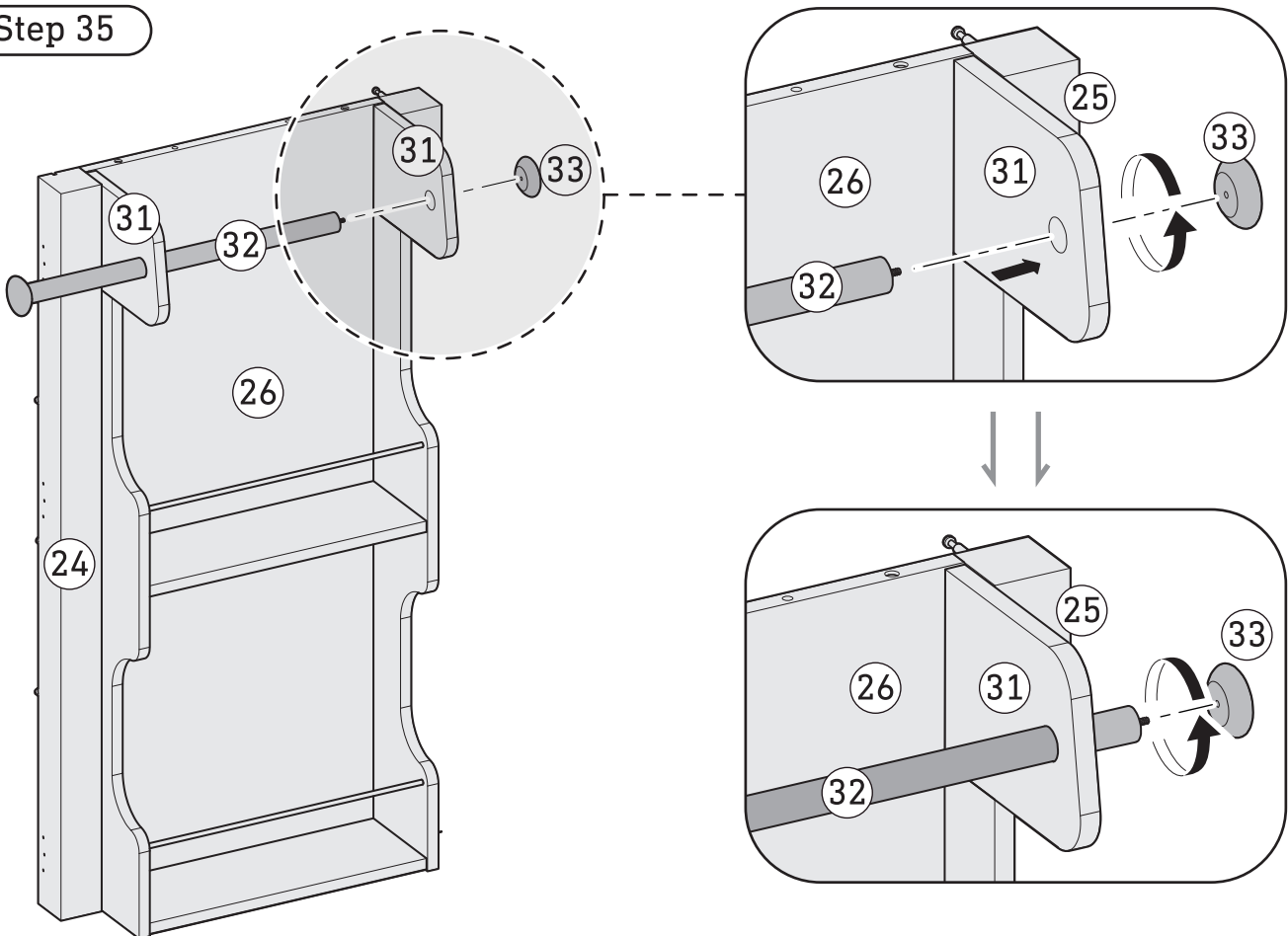
Step 33



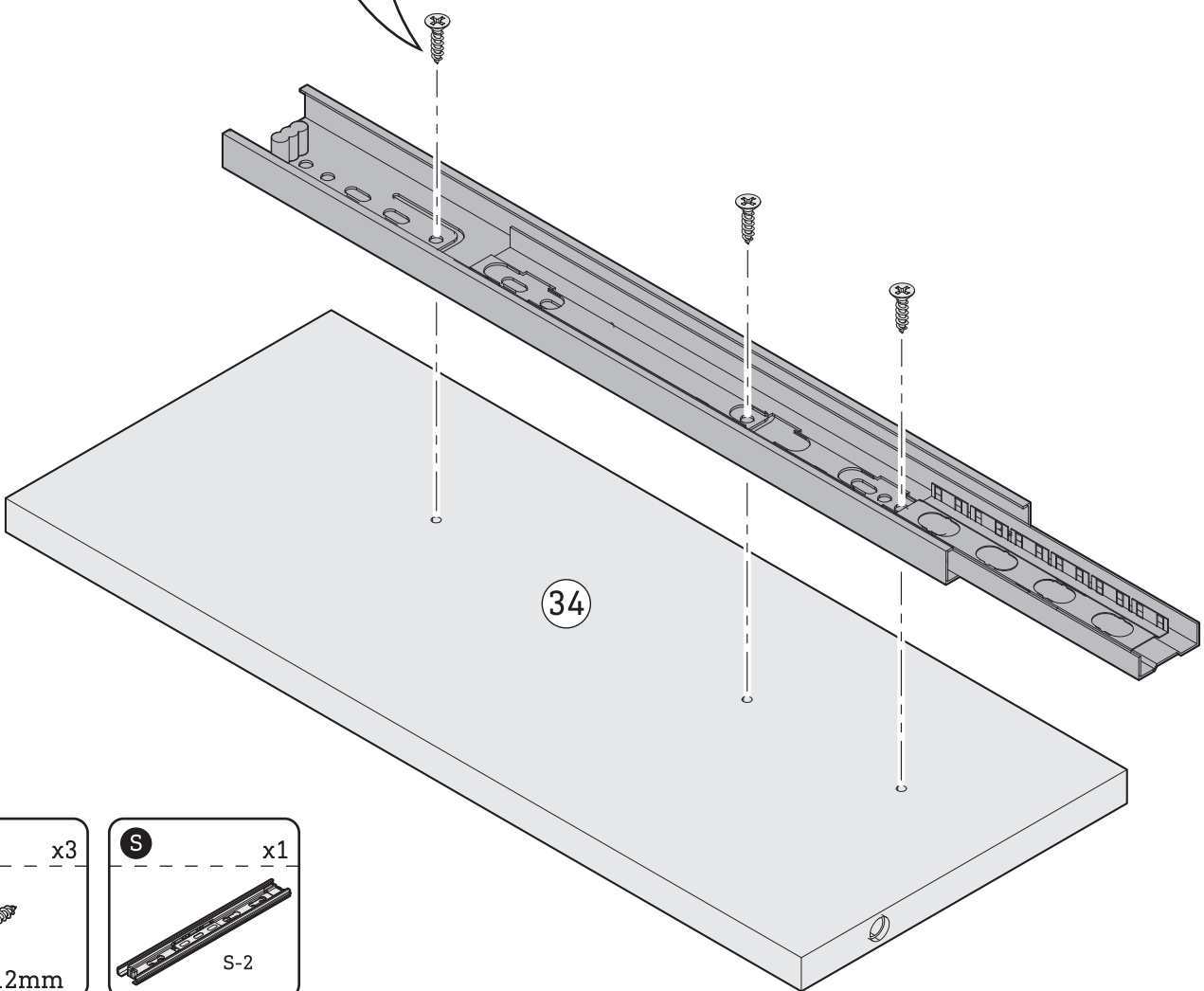
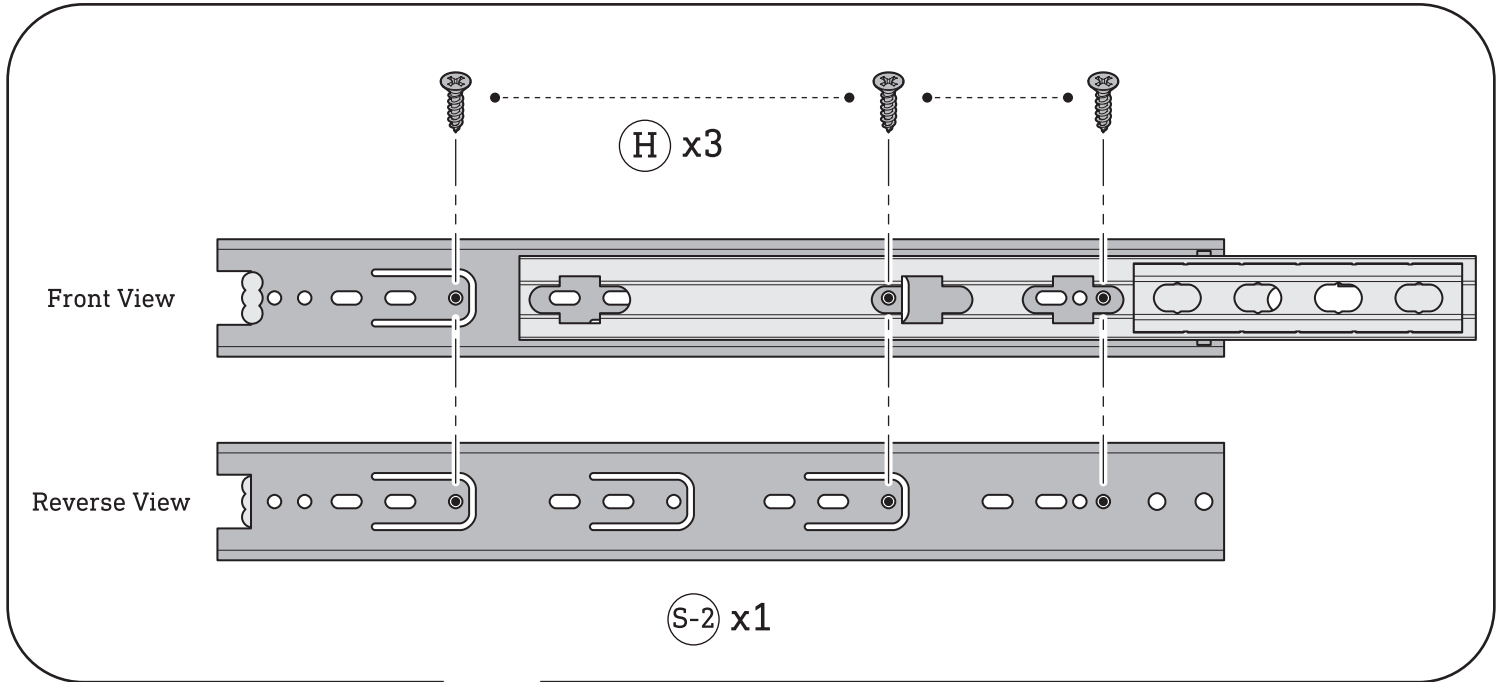
Step 34




Step 35



Step 36




(H) x3



M3.5x12mm

This block shows a screw with the label '(H) x3' and the specification 'M3.5x12mm'.

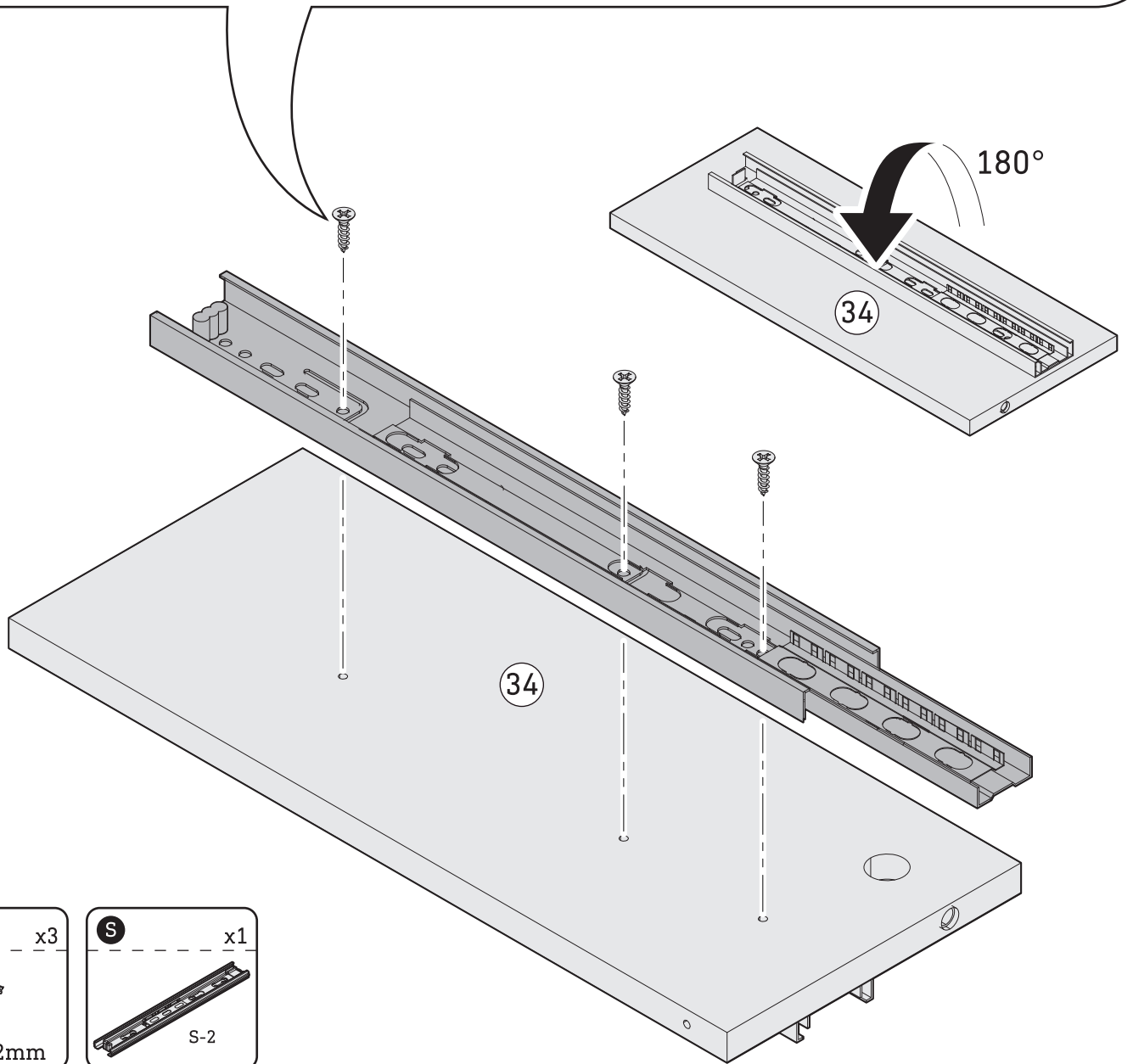
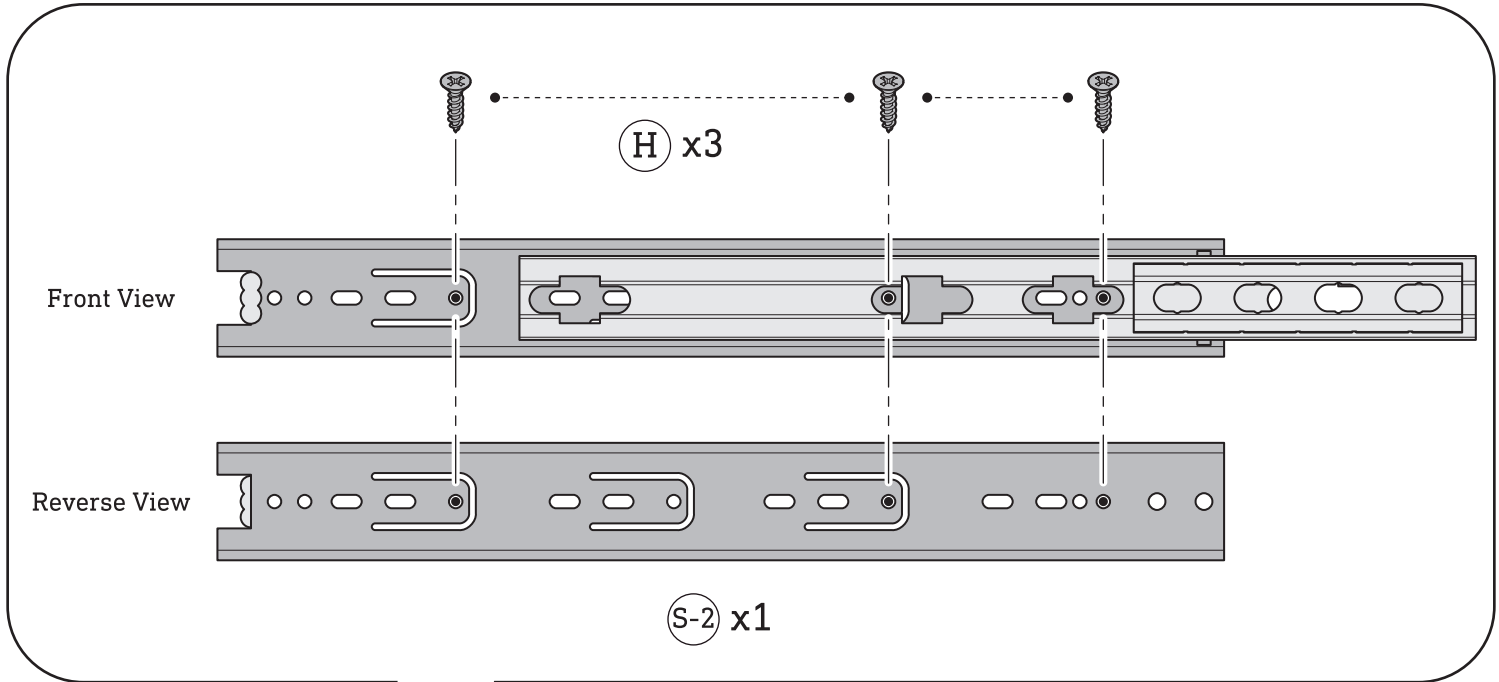
(S) x1




S-2

This block shows a rail with the label '(S) x1' and the specification 'S-2'.

Step 37




(H) x3



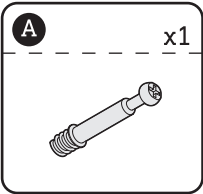
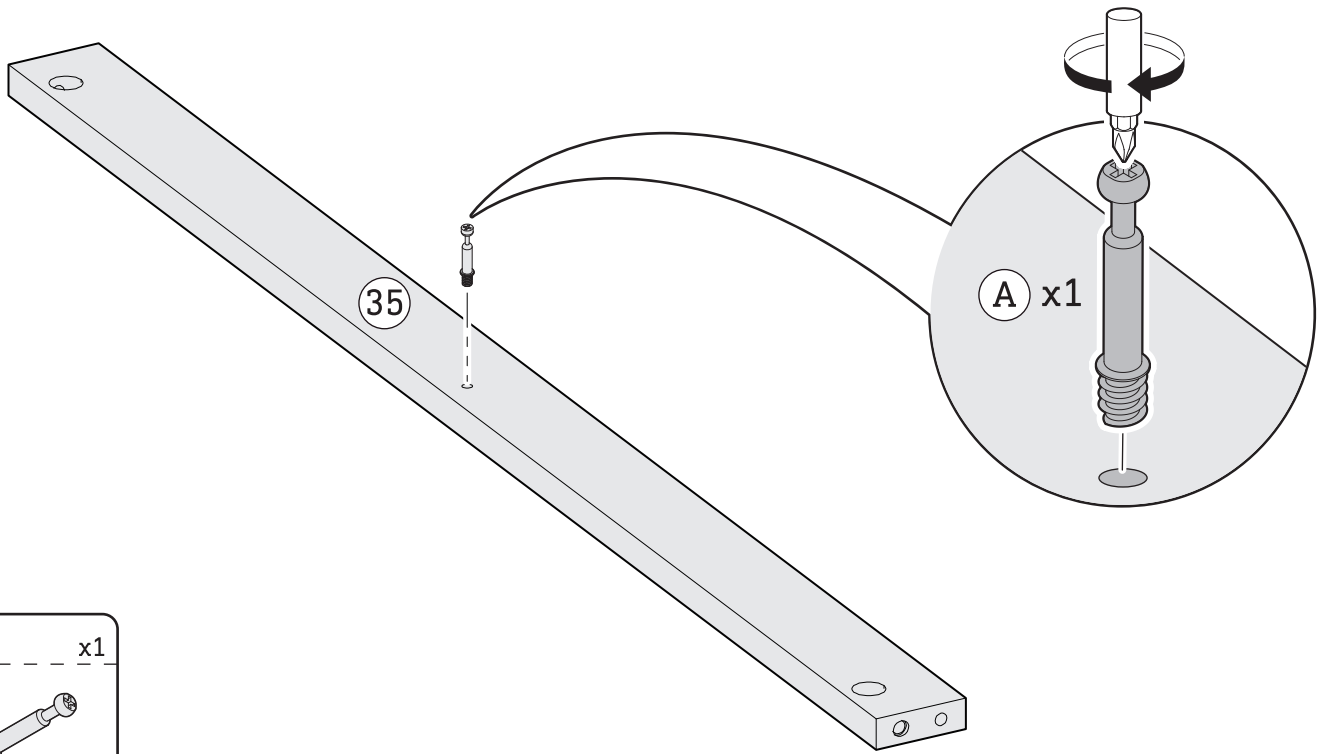
M3.5x12mm

(S) x1

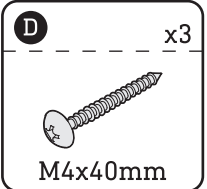
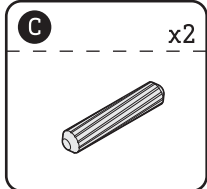
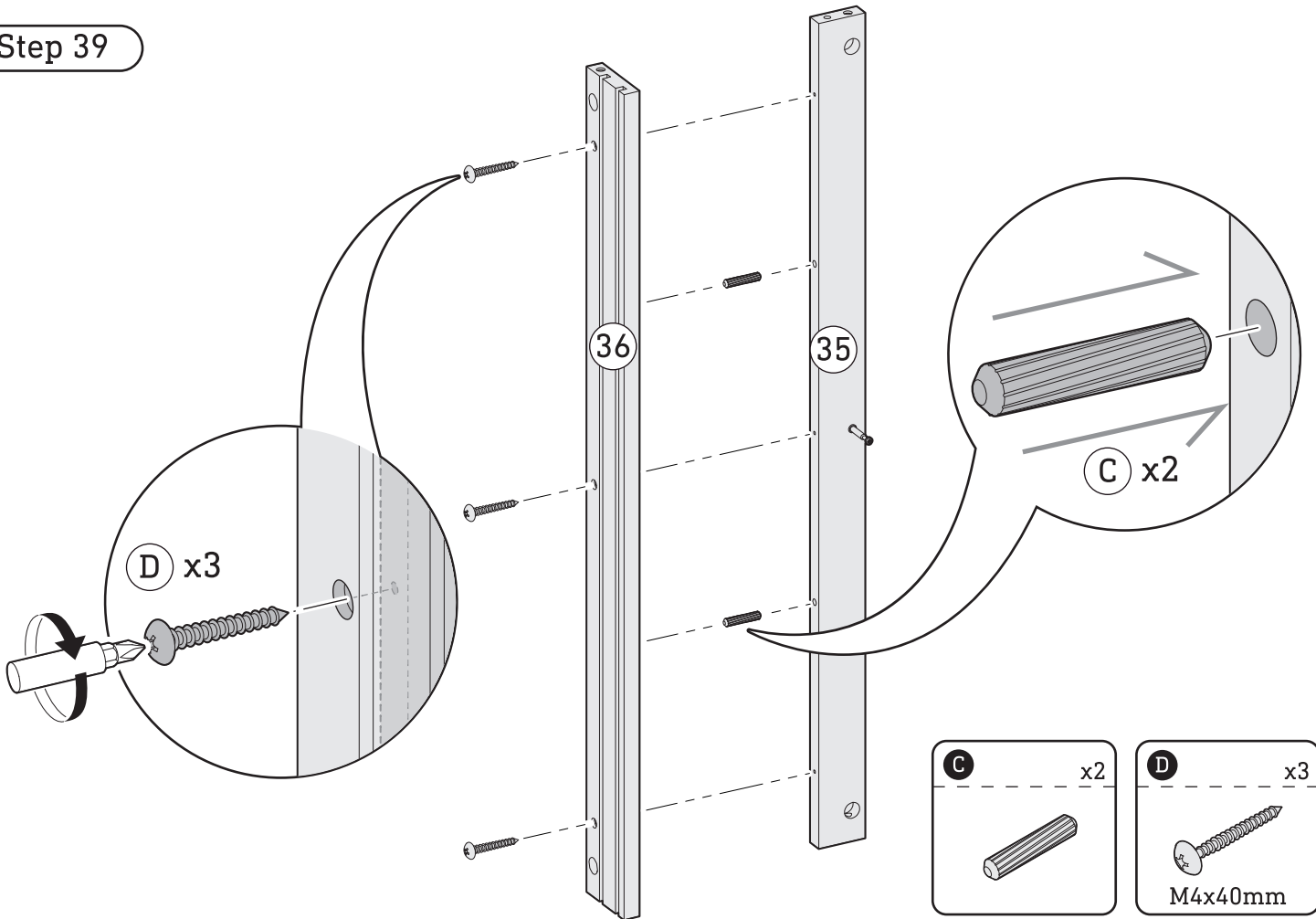


S-2

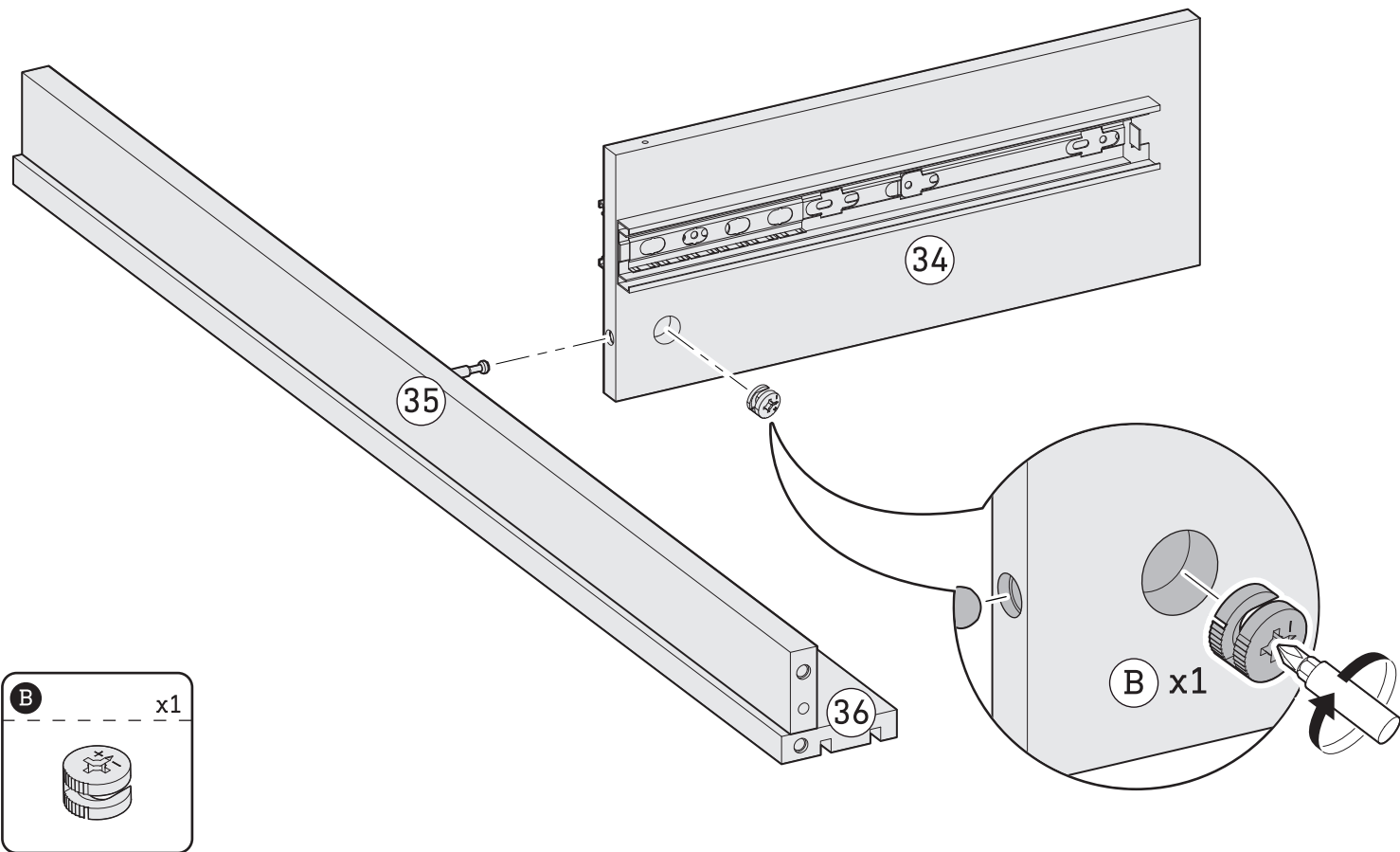
Step 38



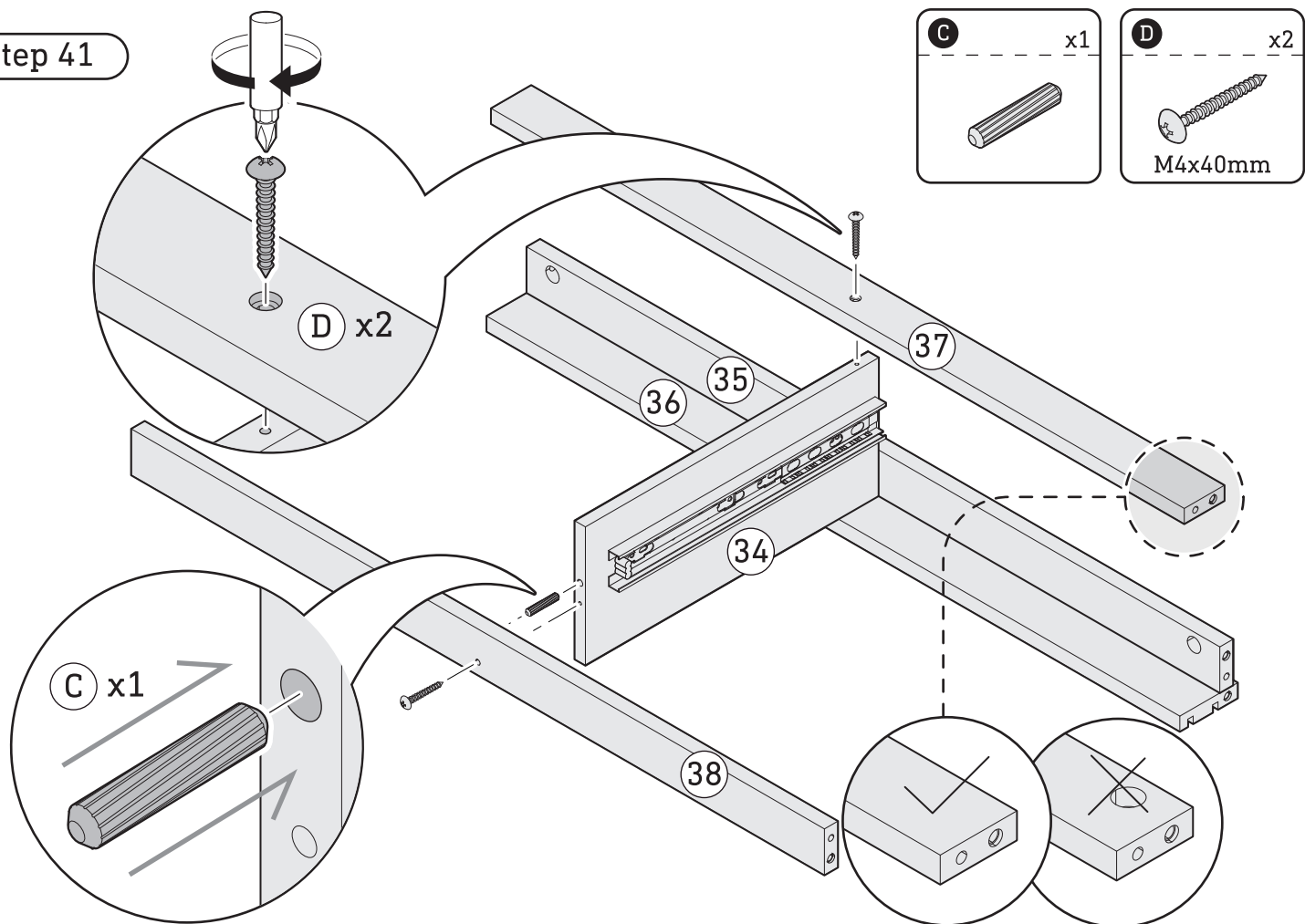
Step 39



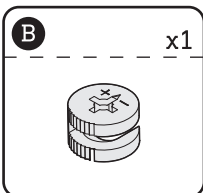
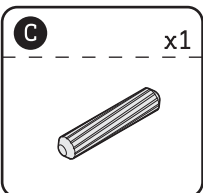
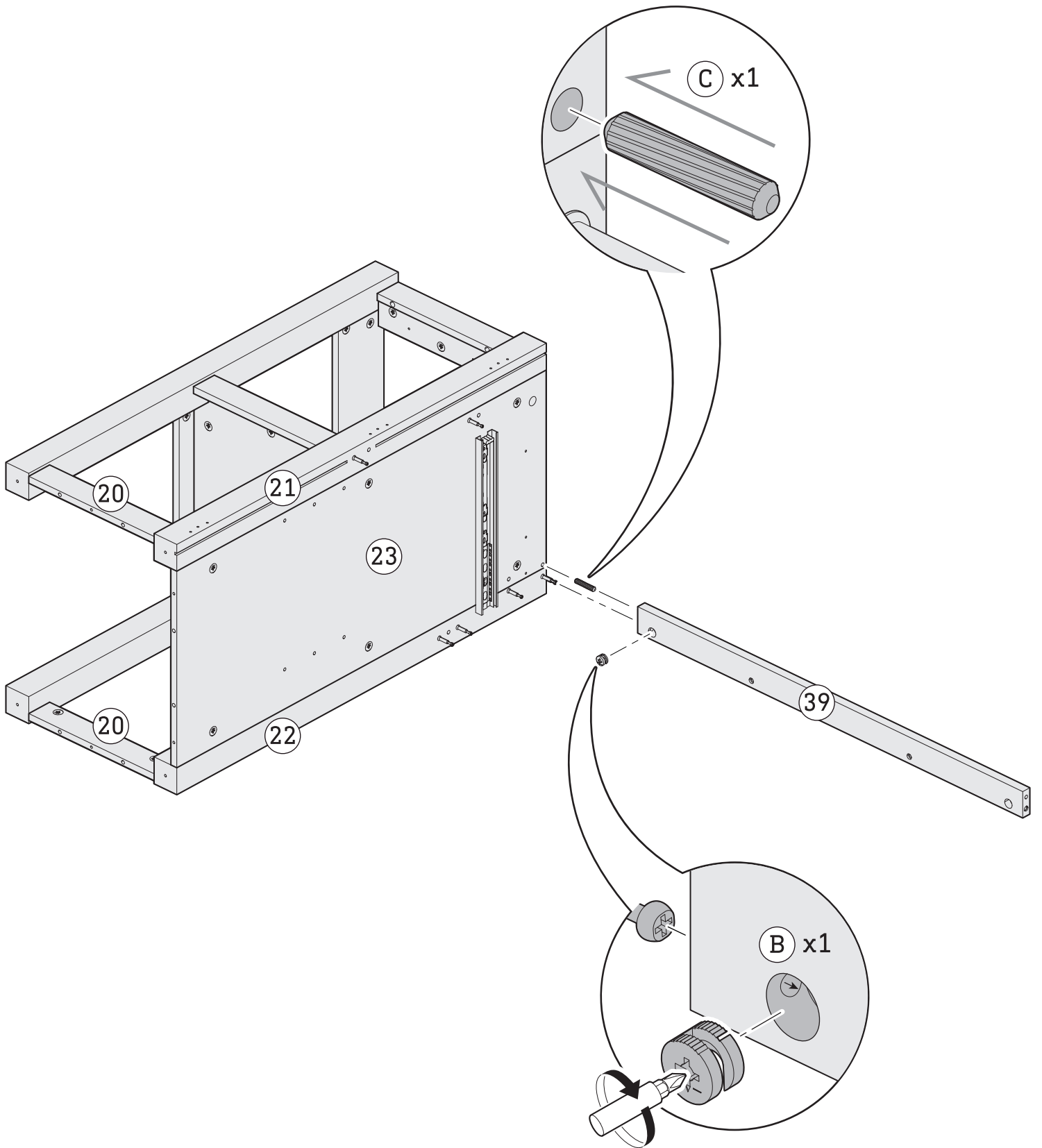
Step 40



Step 41

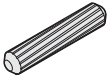


Step 42



Step 43

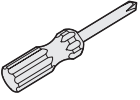
C x4



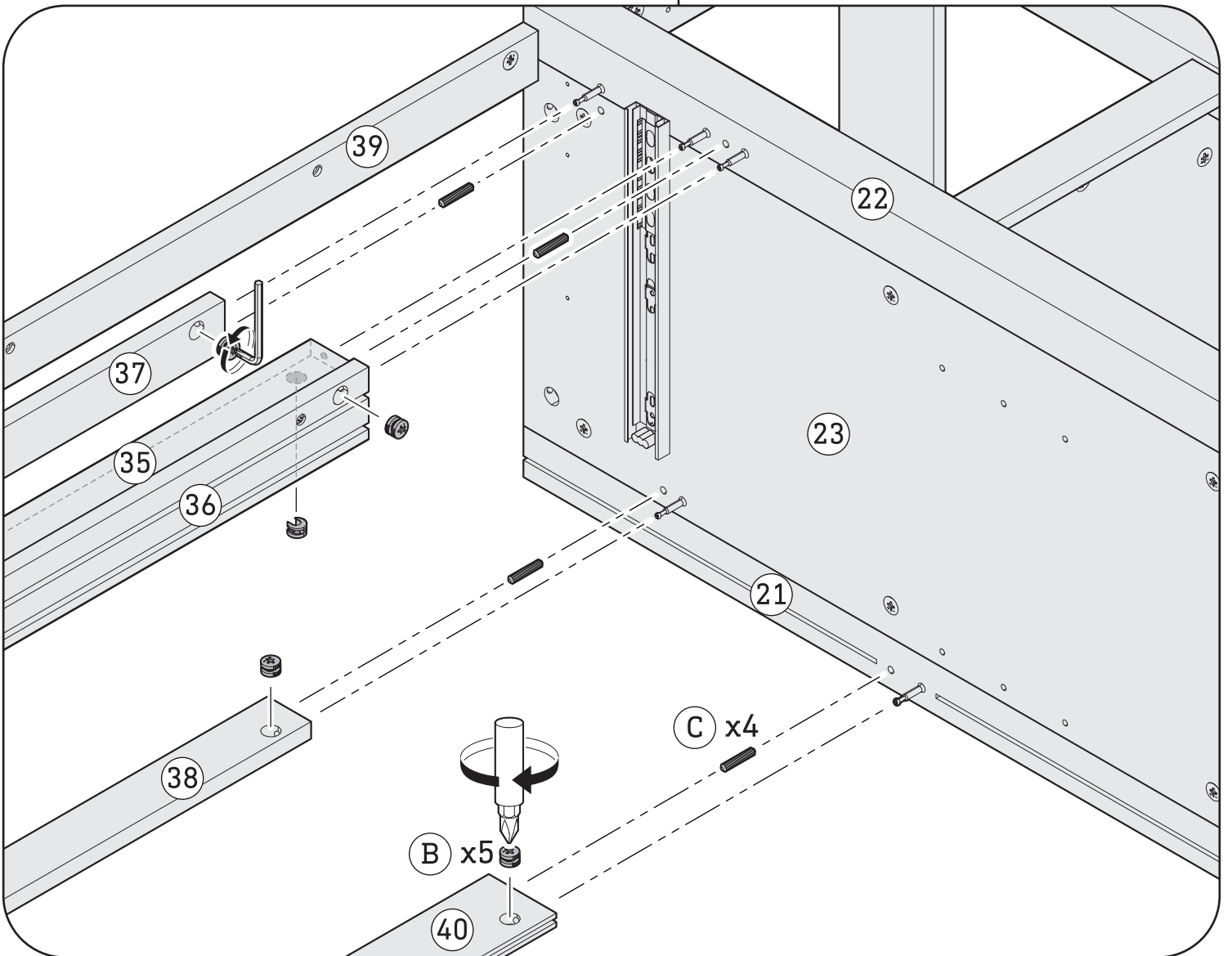
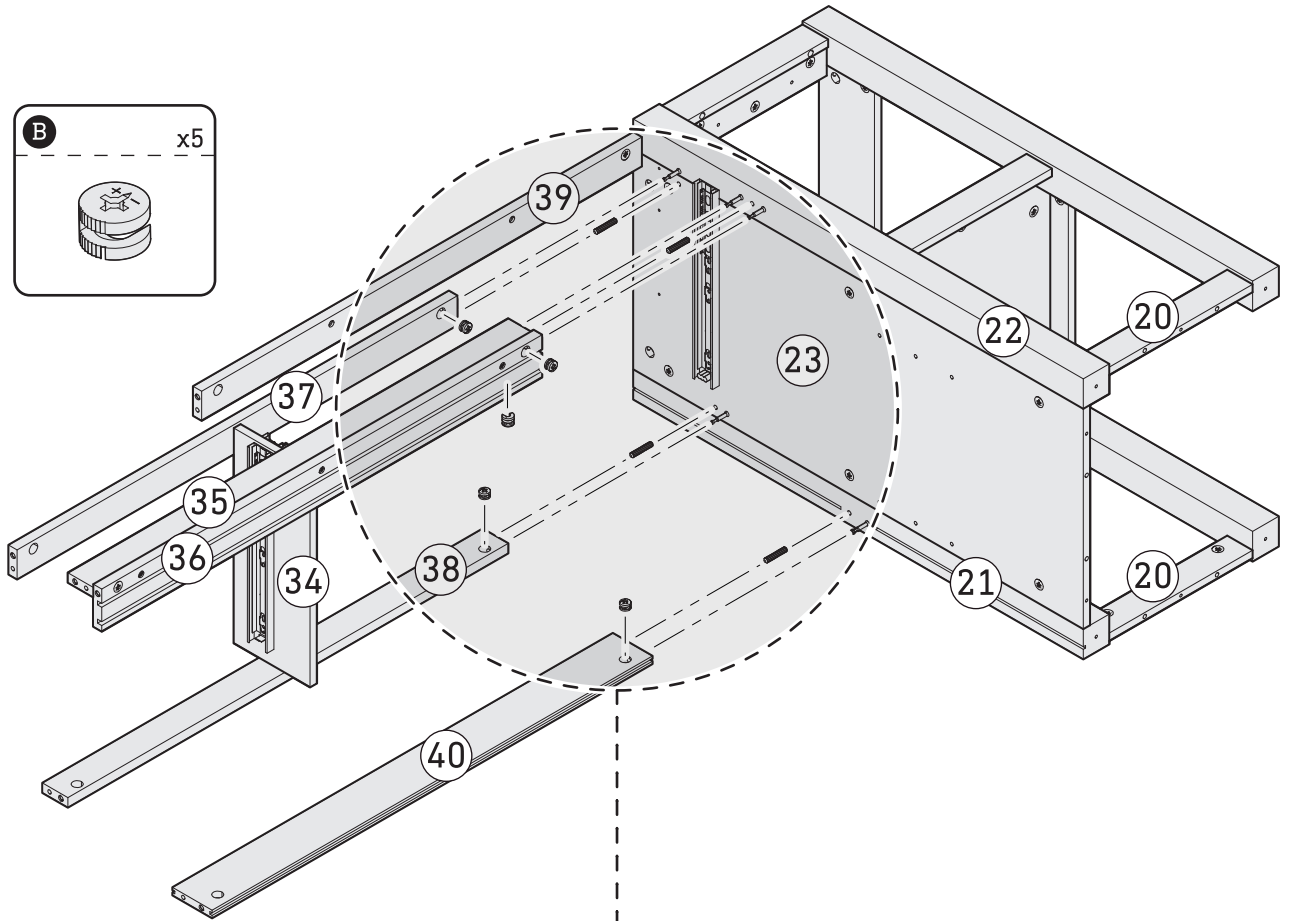
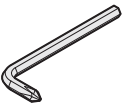
B x5



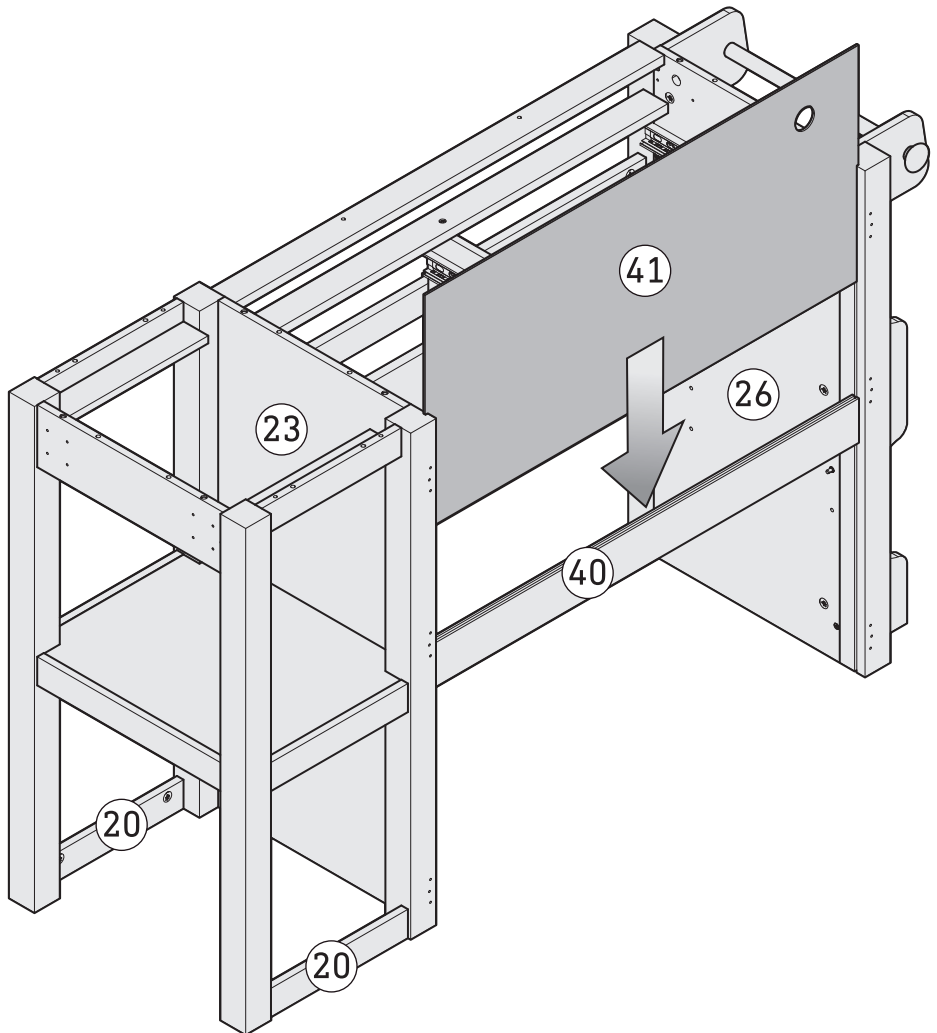
Screwdriver



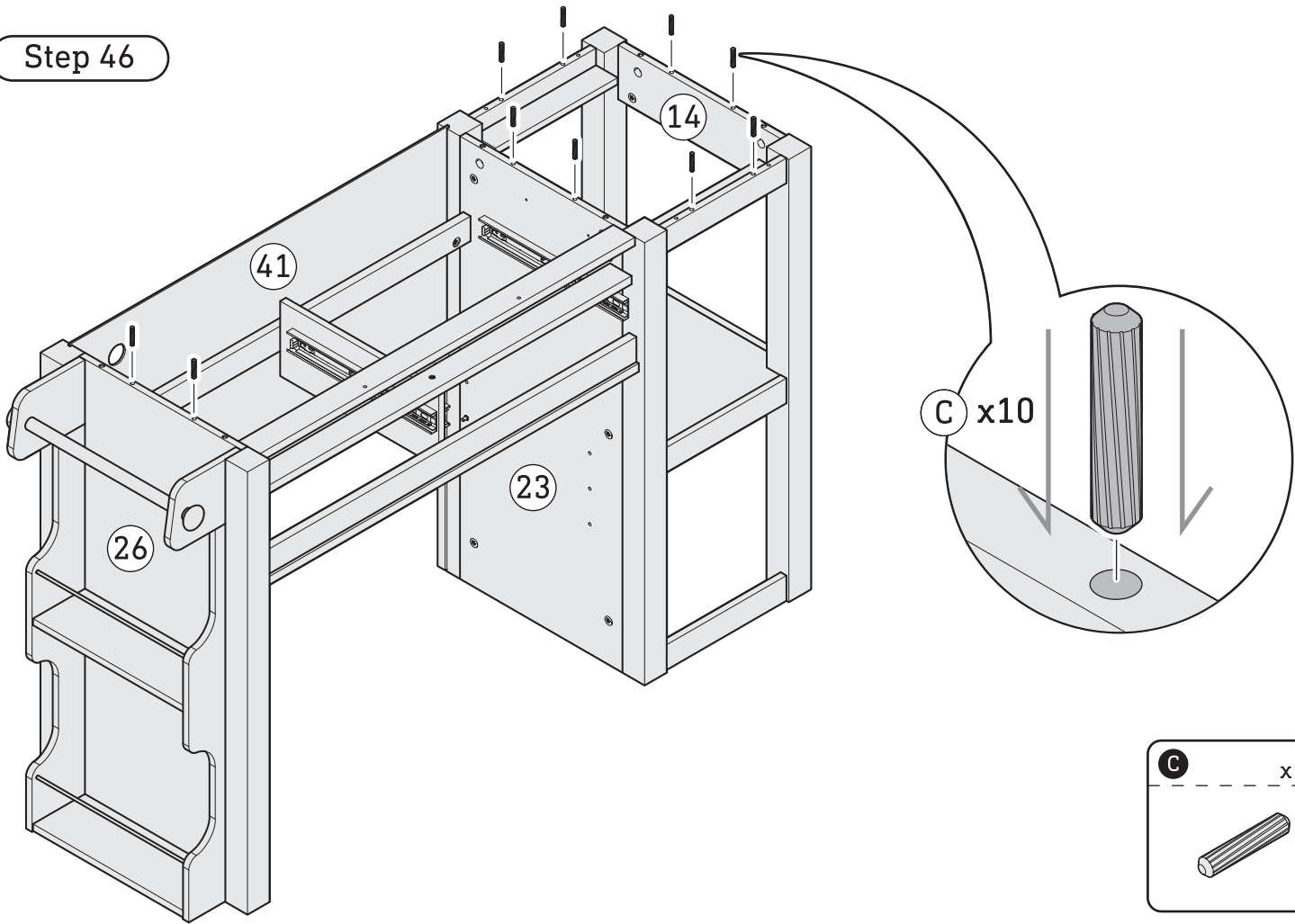
Hex Key



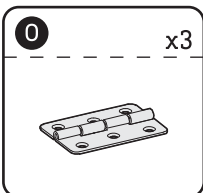
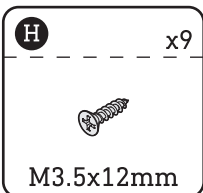
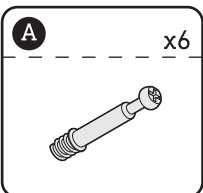
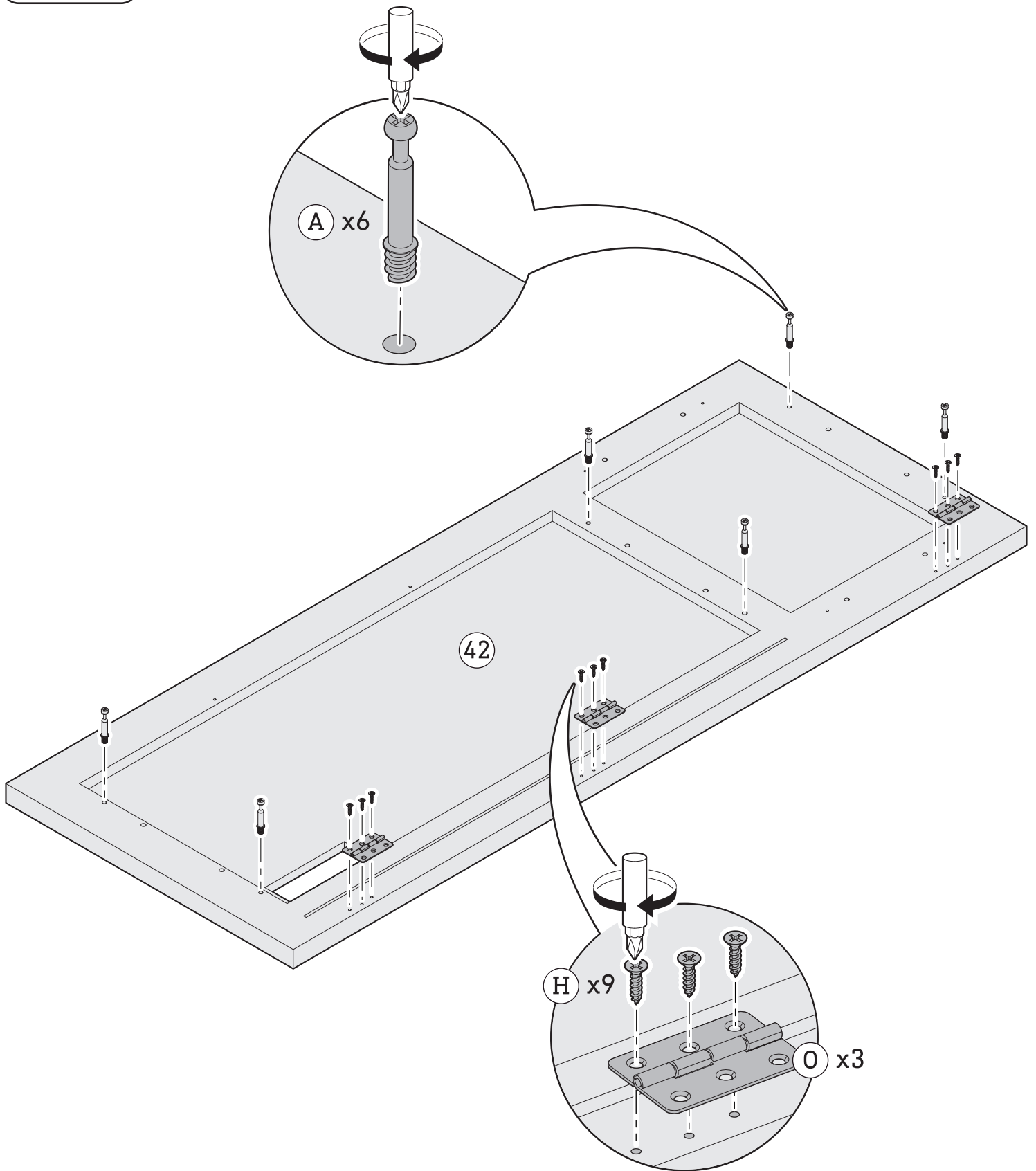
Step 45



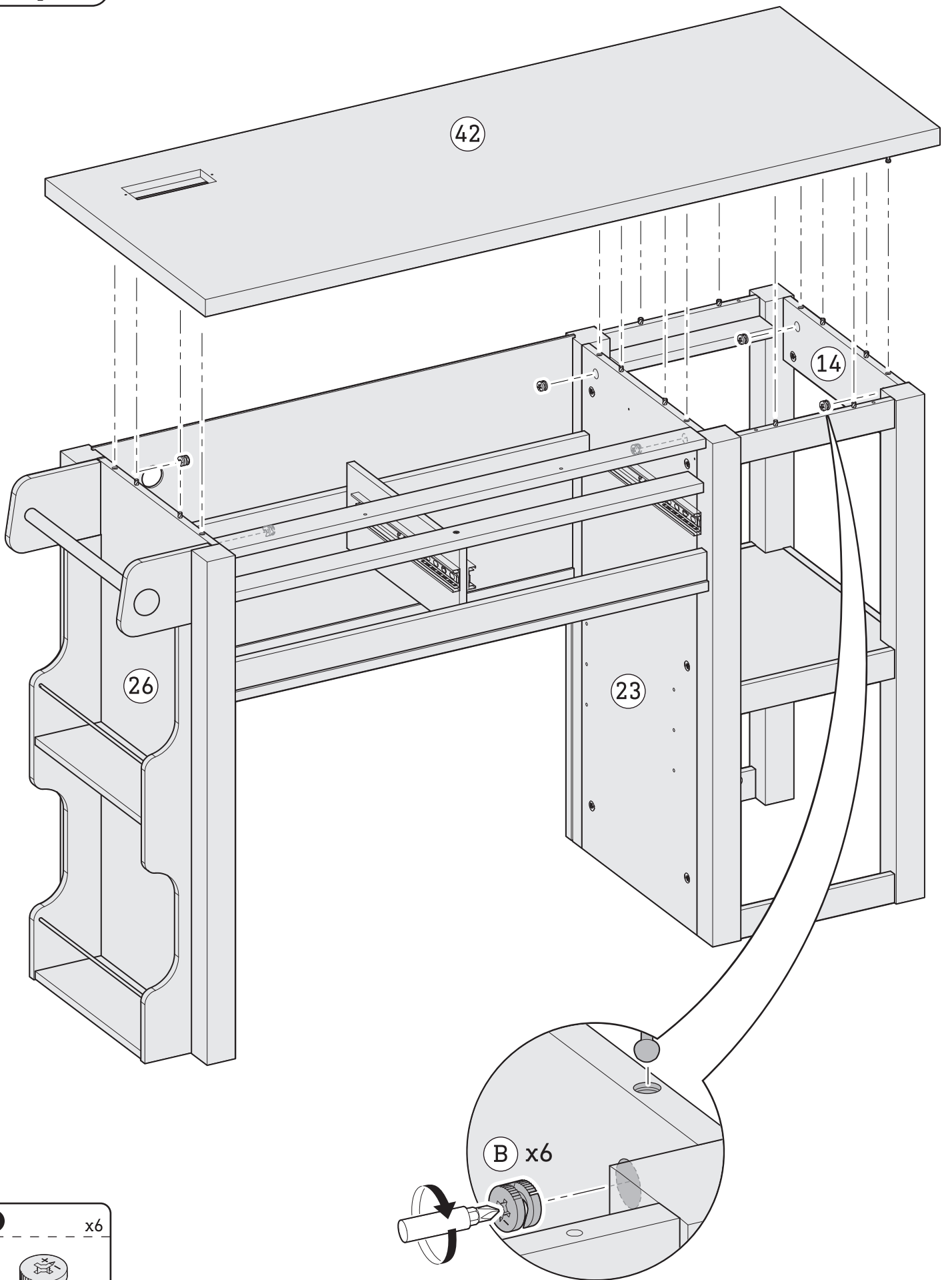
Step 46



Step 47



Step 48



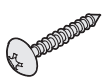
Step 49

D x4



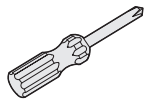
M4x40mm

E x2

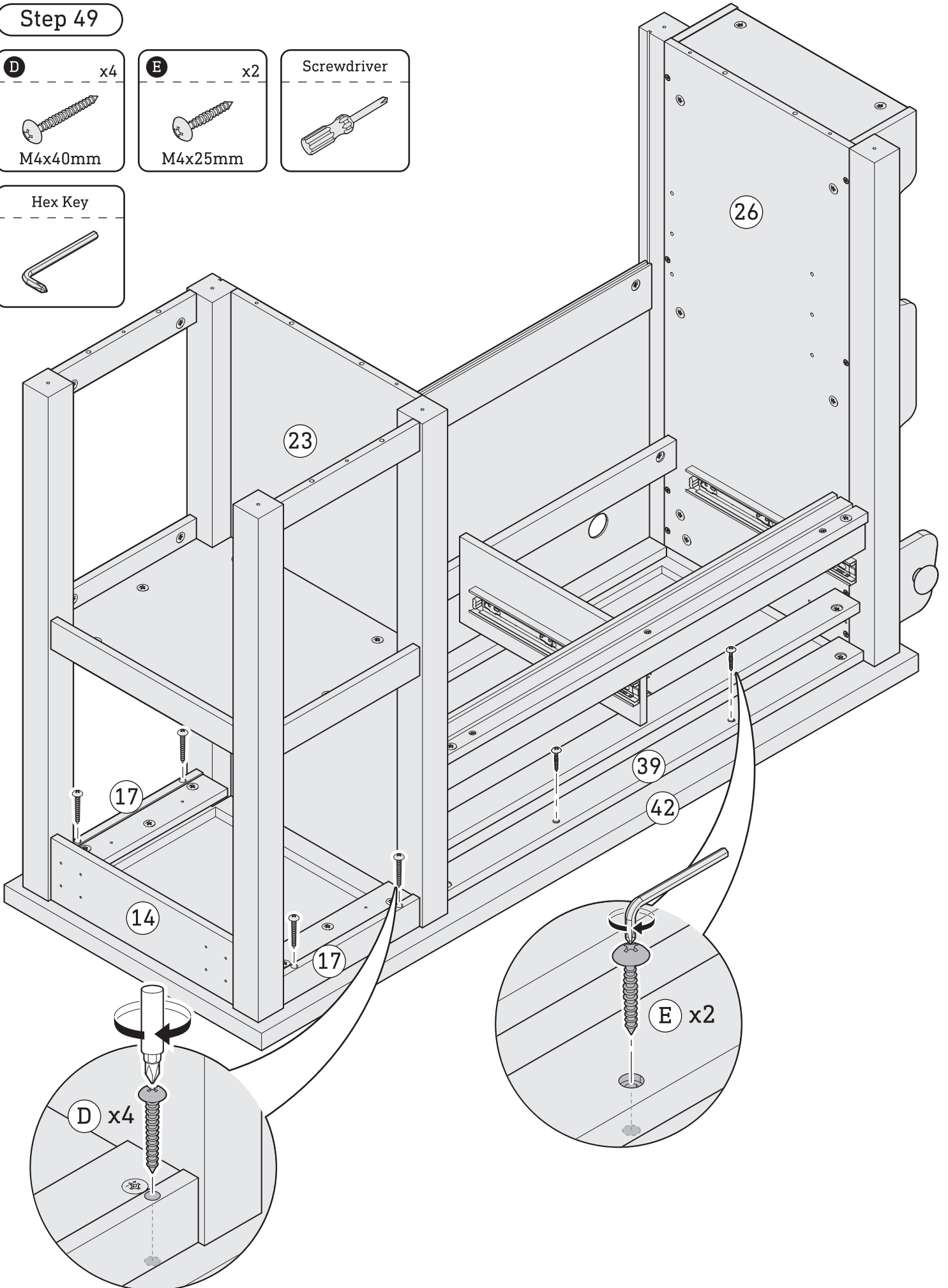
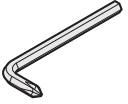


M4x25mm

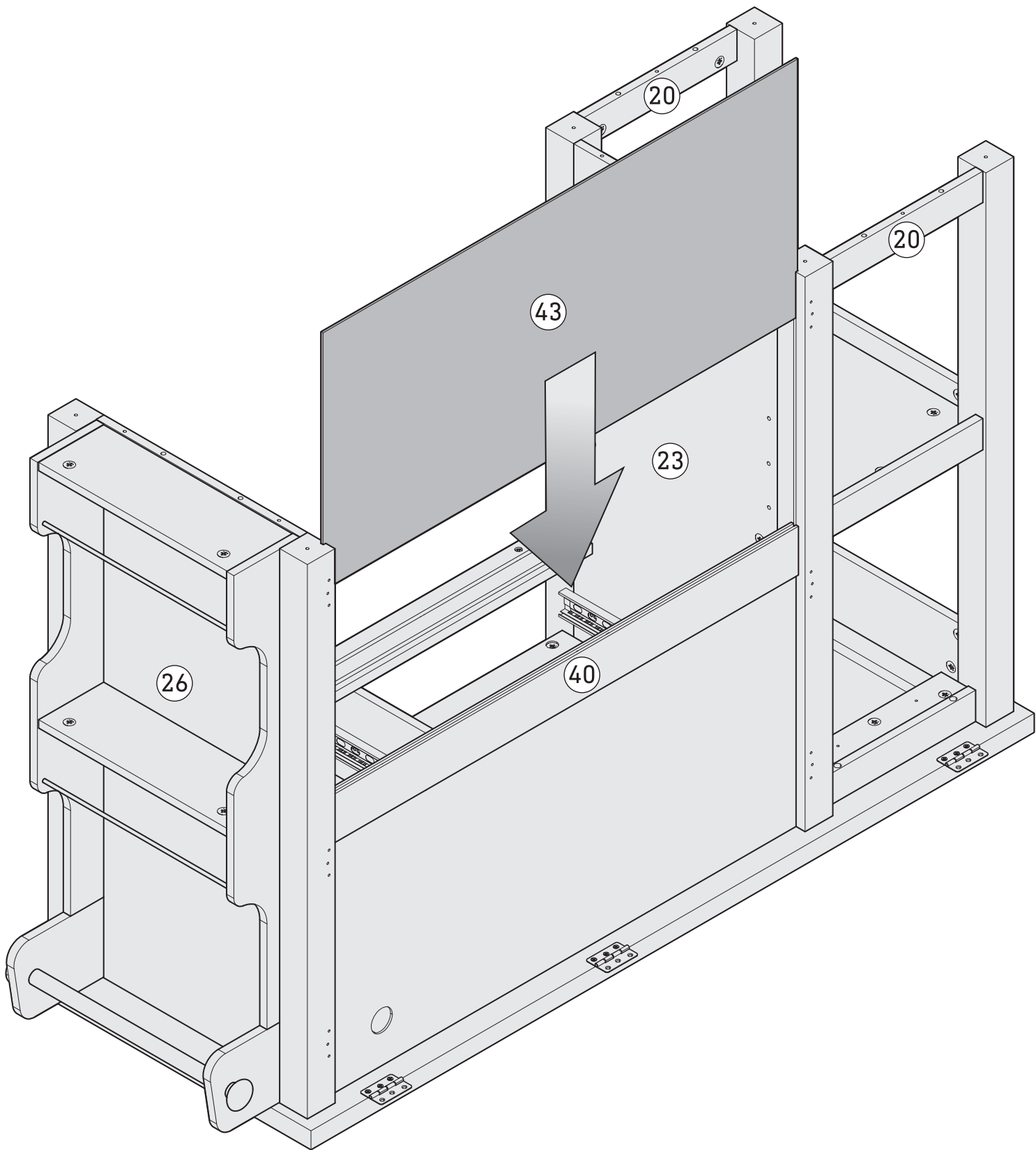
Screwdriver



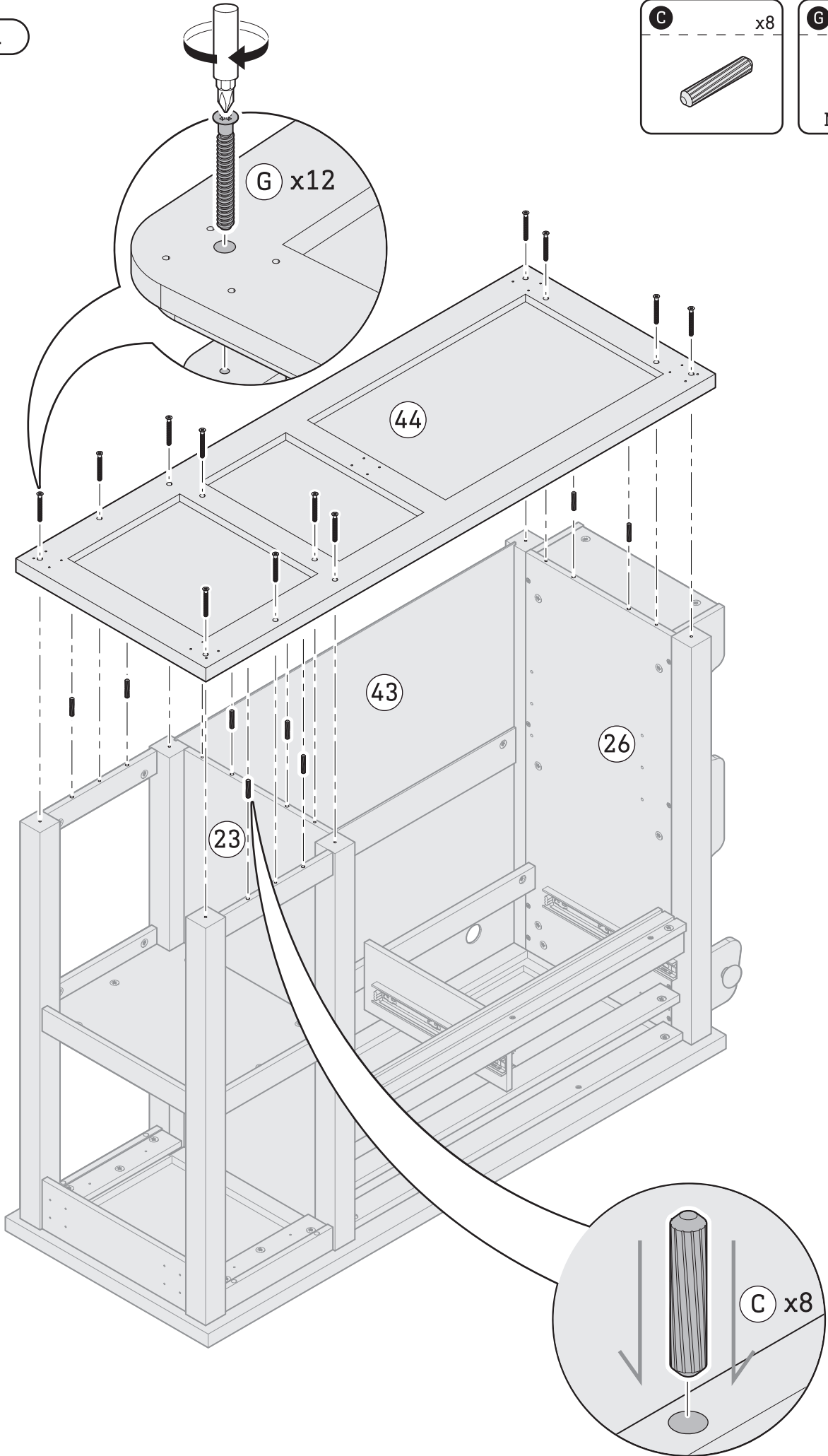
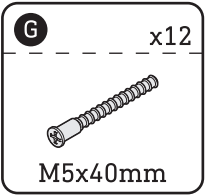
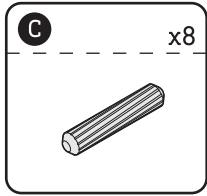
Hex Key



Step 50



Step 51

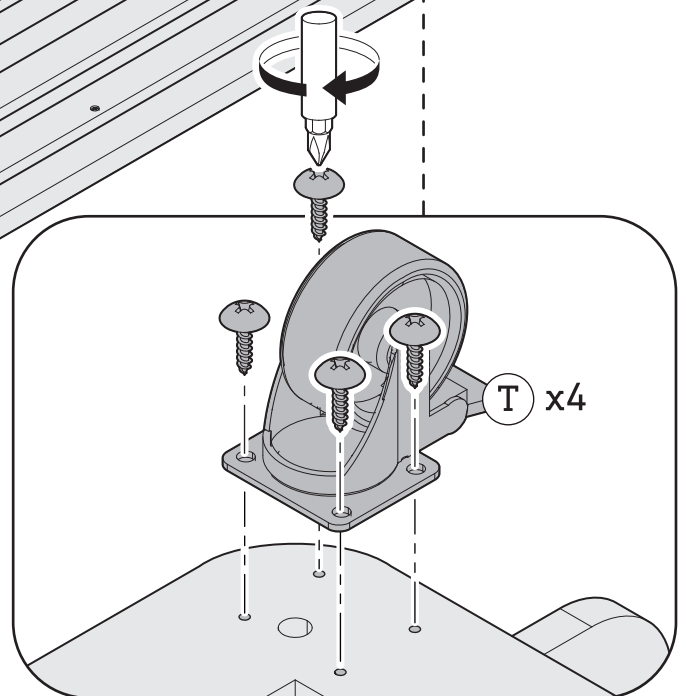
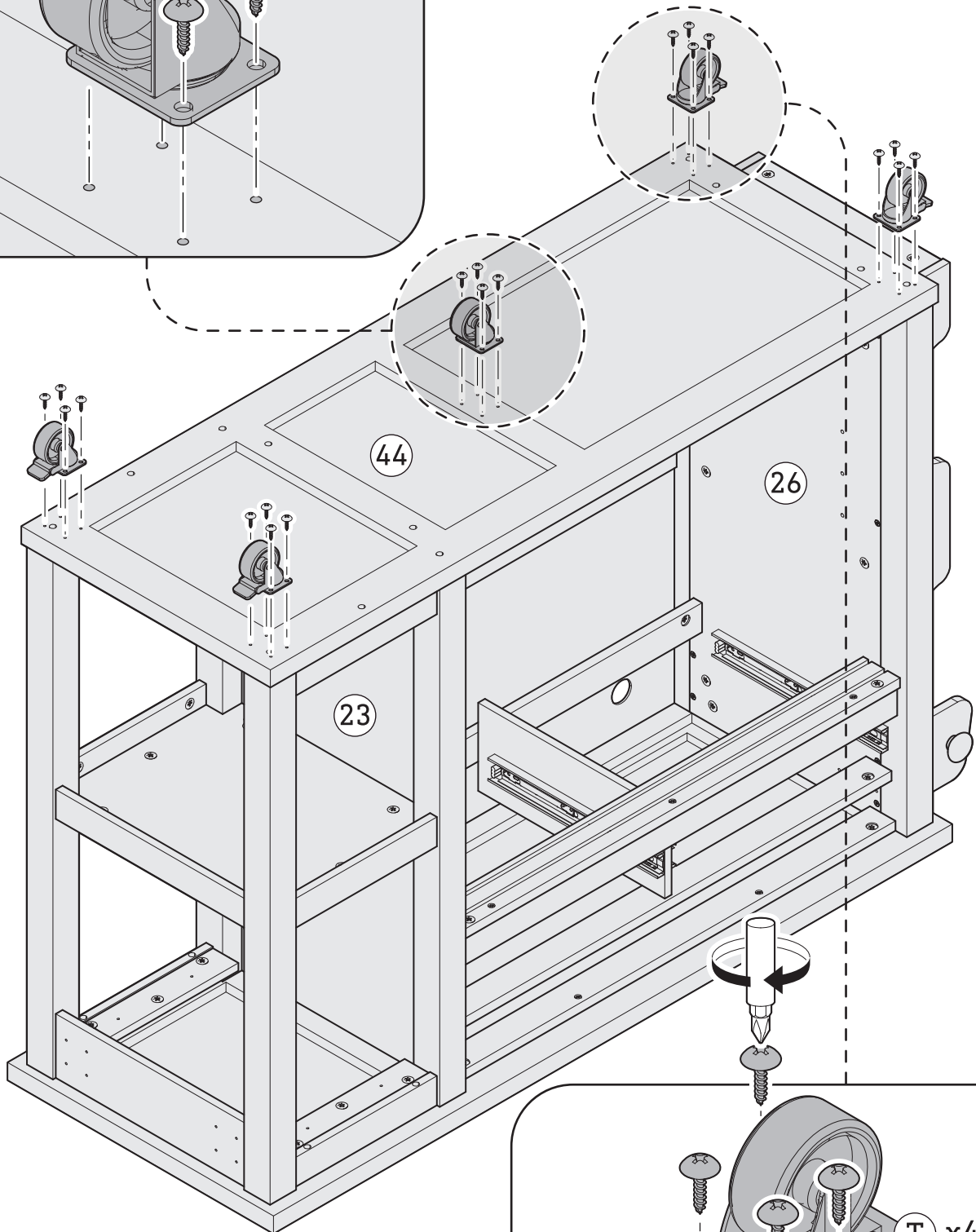
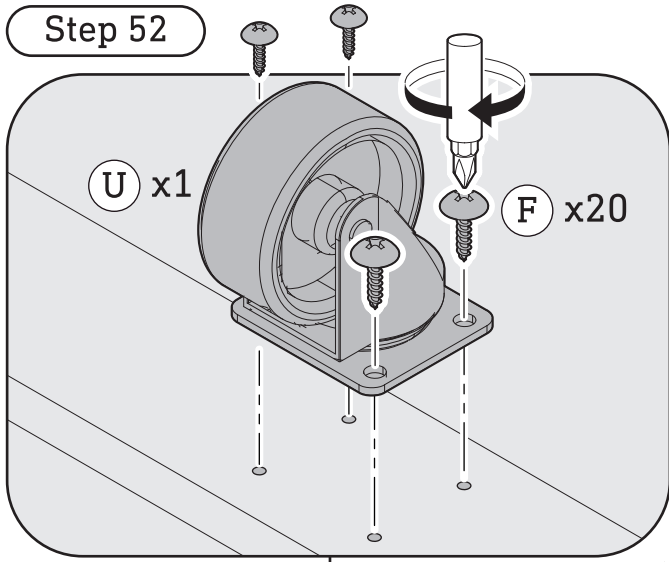


Step 52

F x20
M4x12mm

T x4

U x1



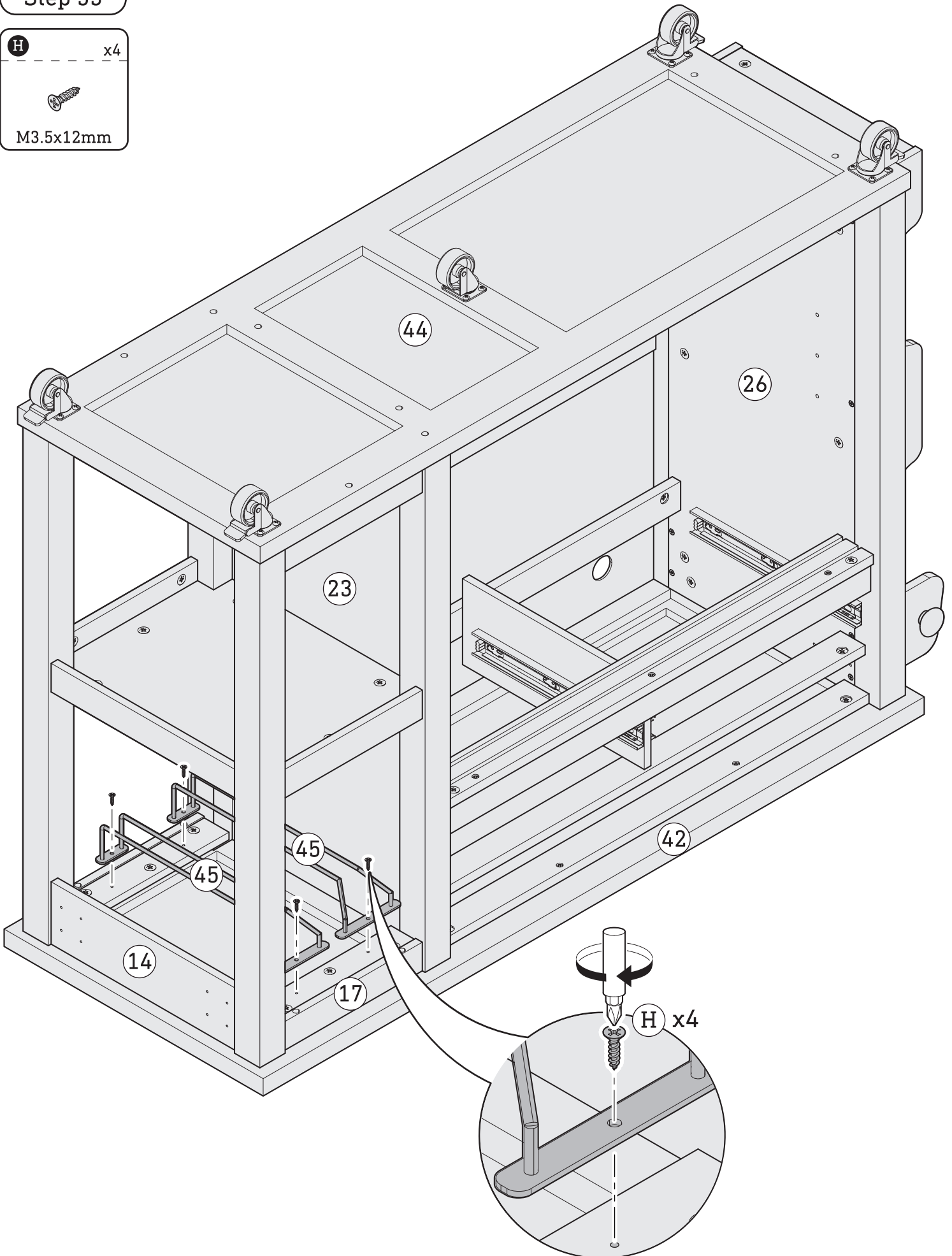
Step 53

H

x4

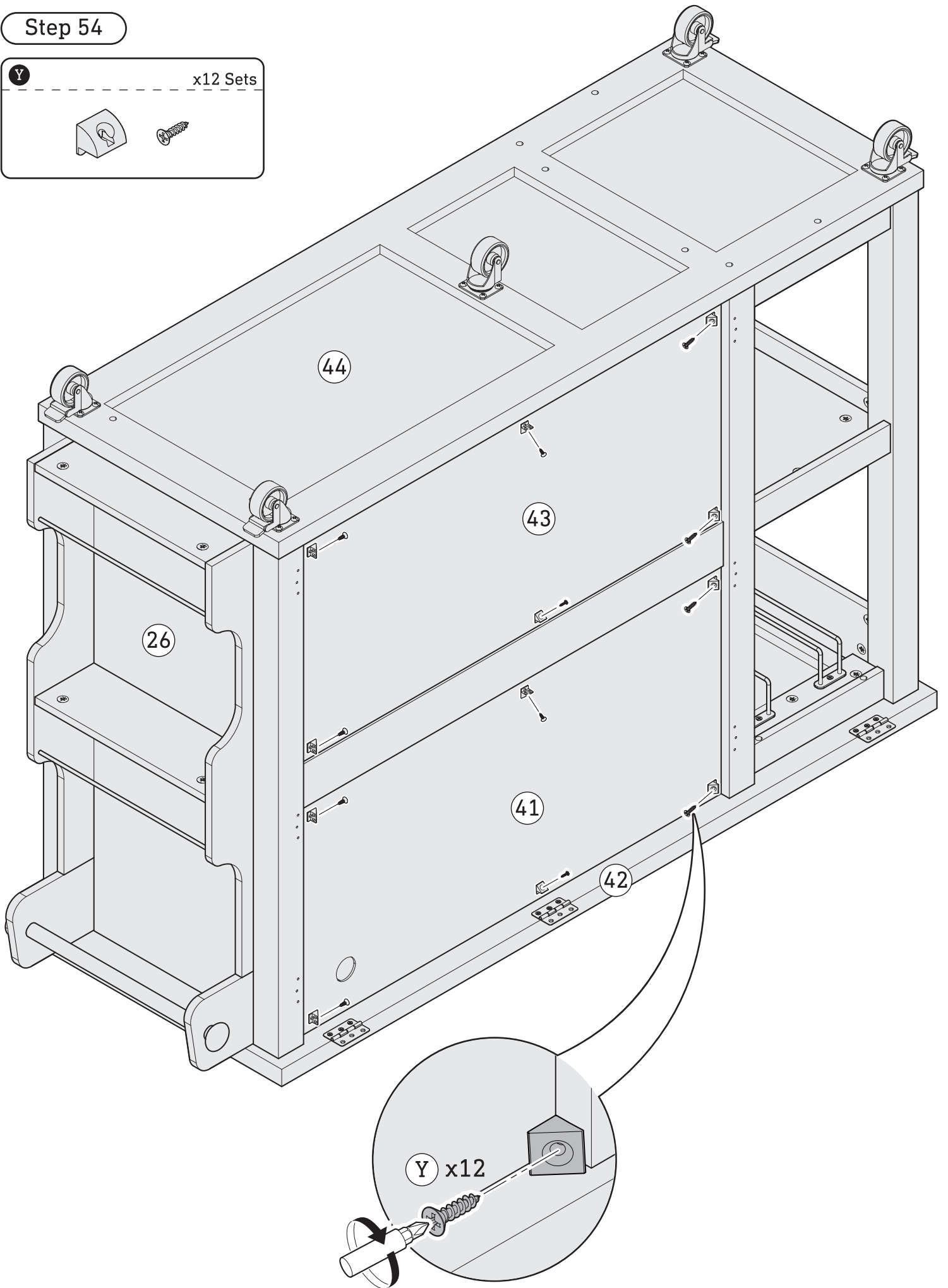
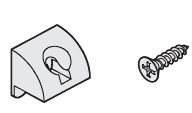


M3.5x12mm

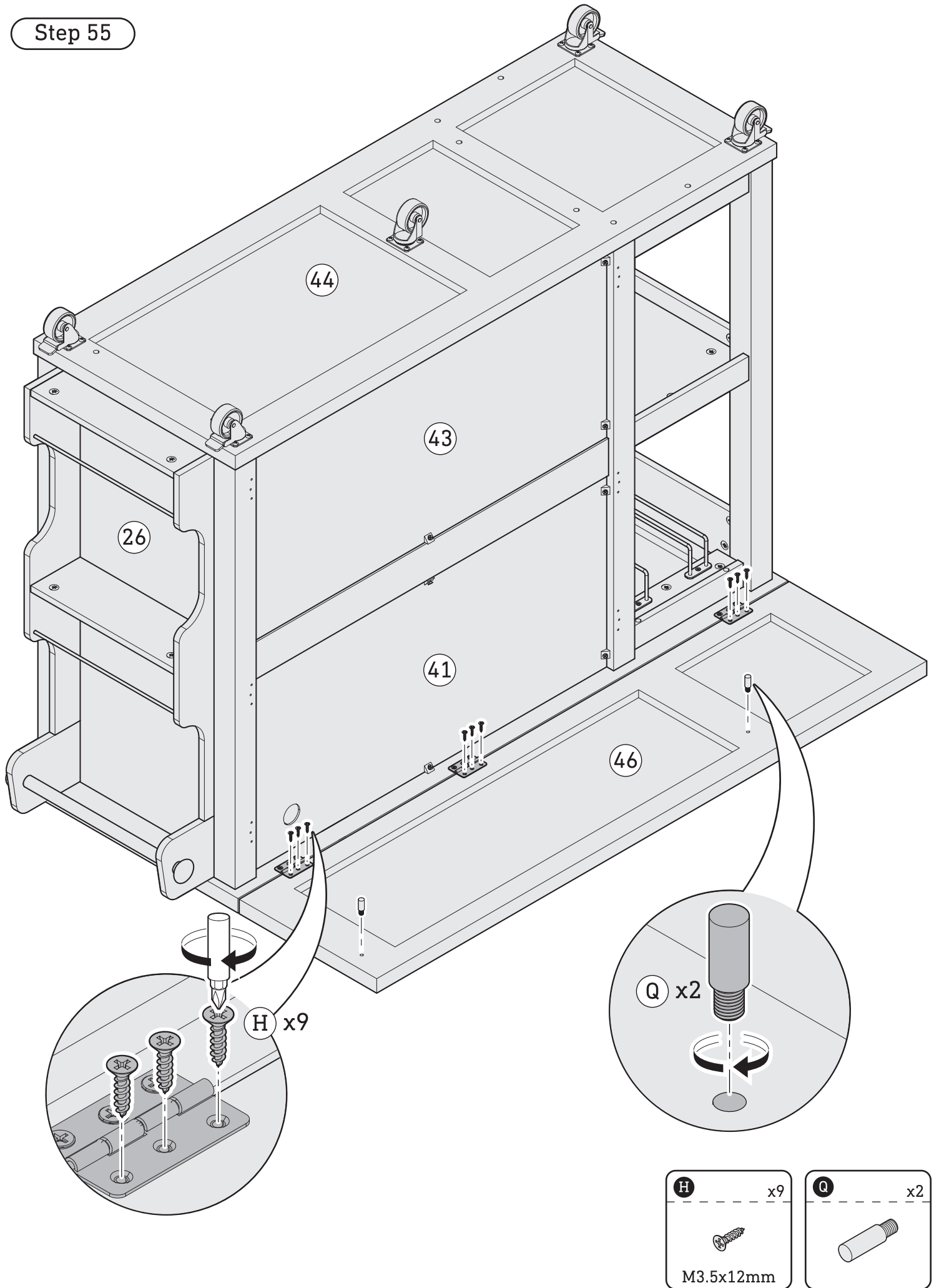


Step 54

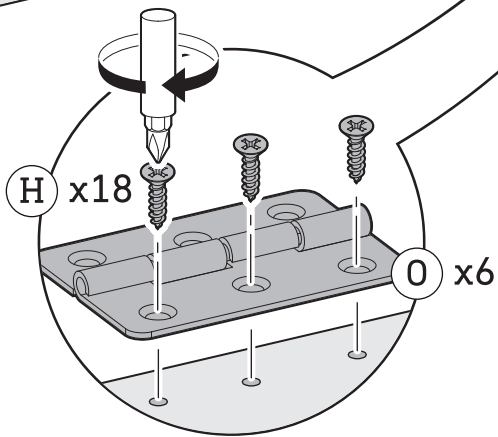
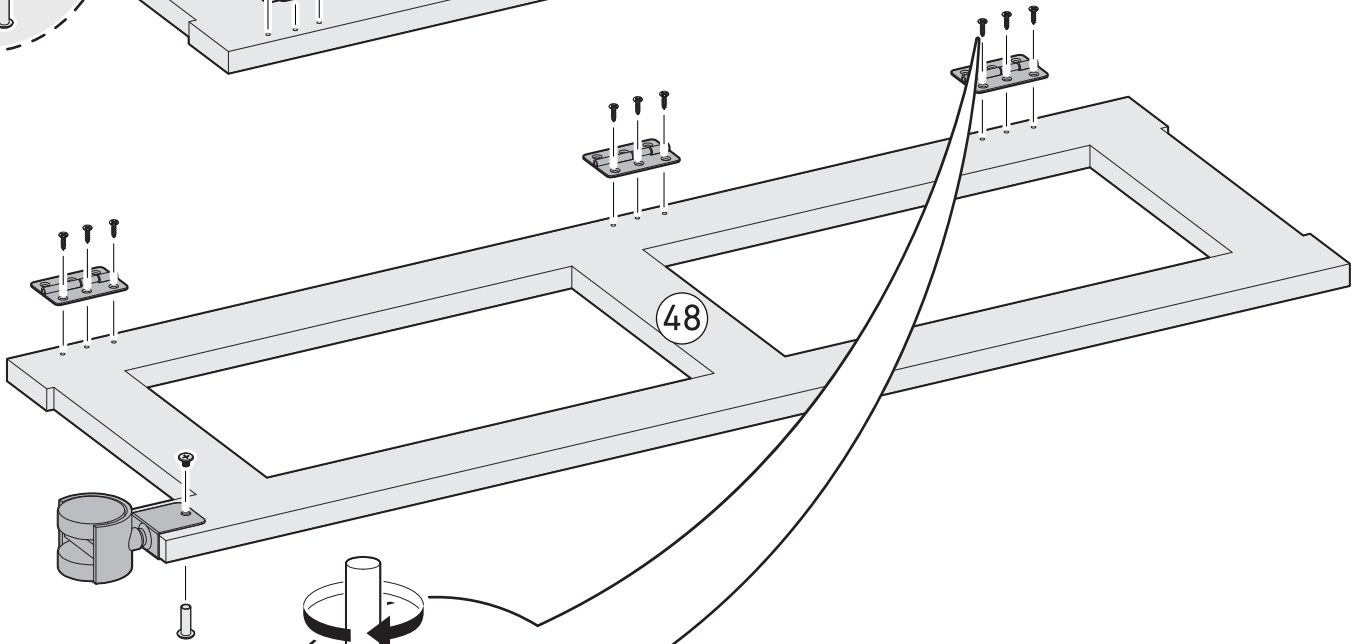
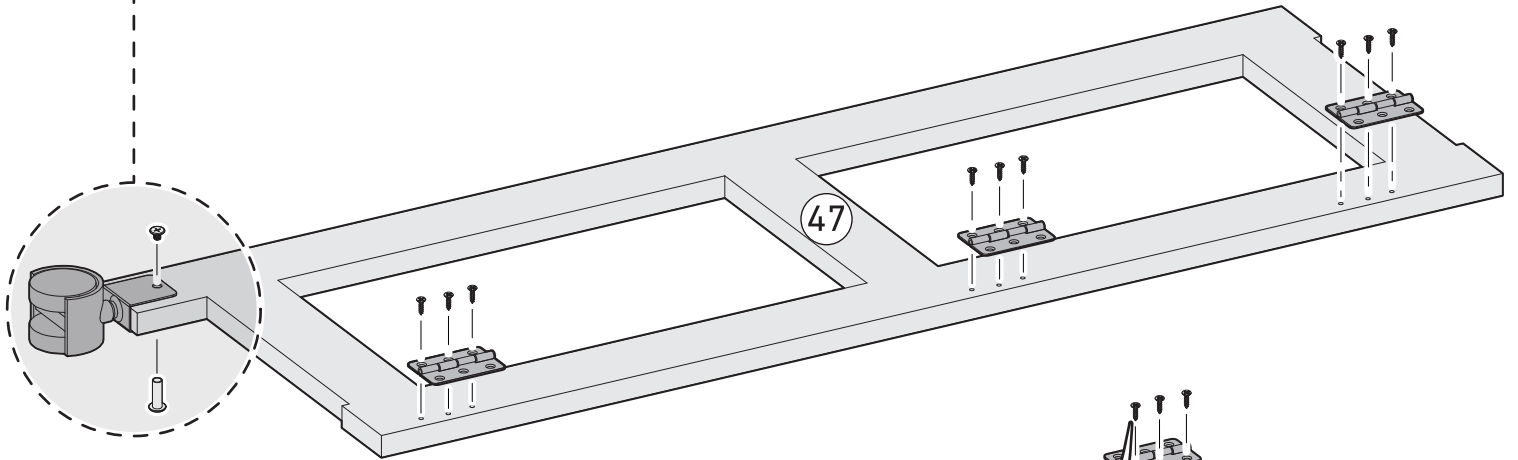
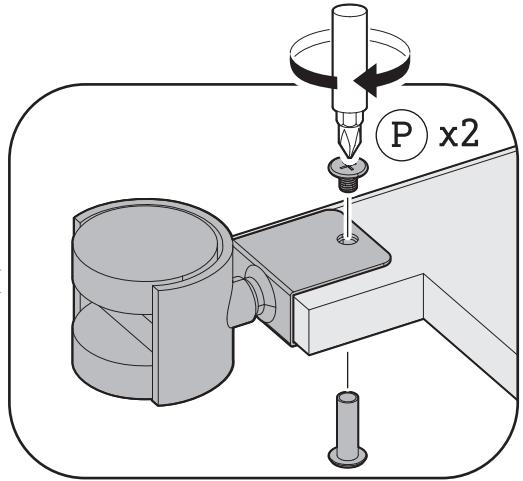
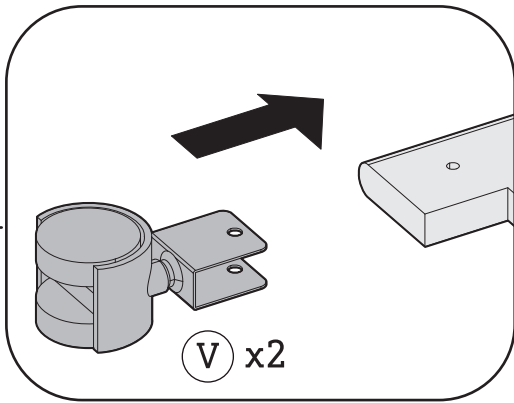
Y x12 Sets




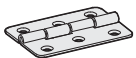
Step 55




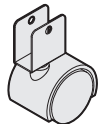
Step 56



H x18

 M3.5x12mm


O x6


P x2


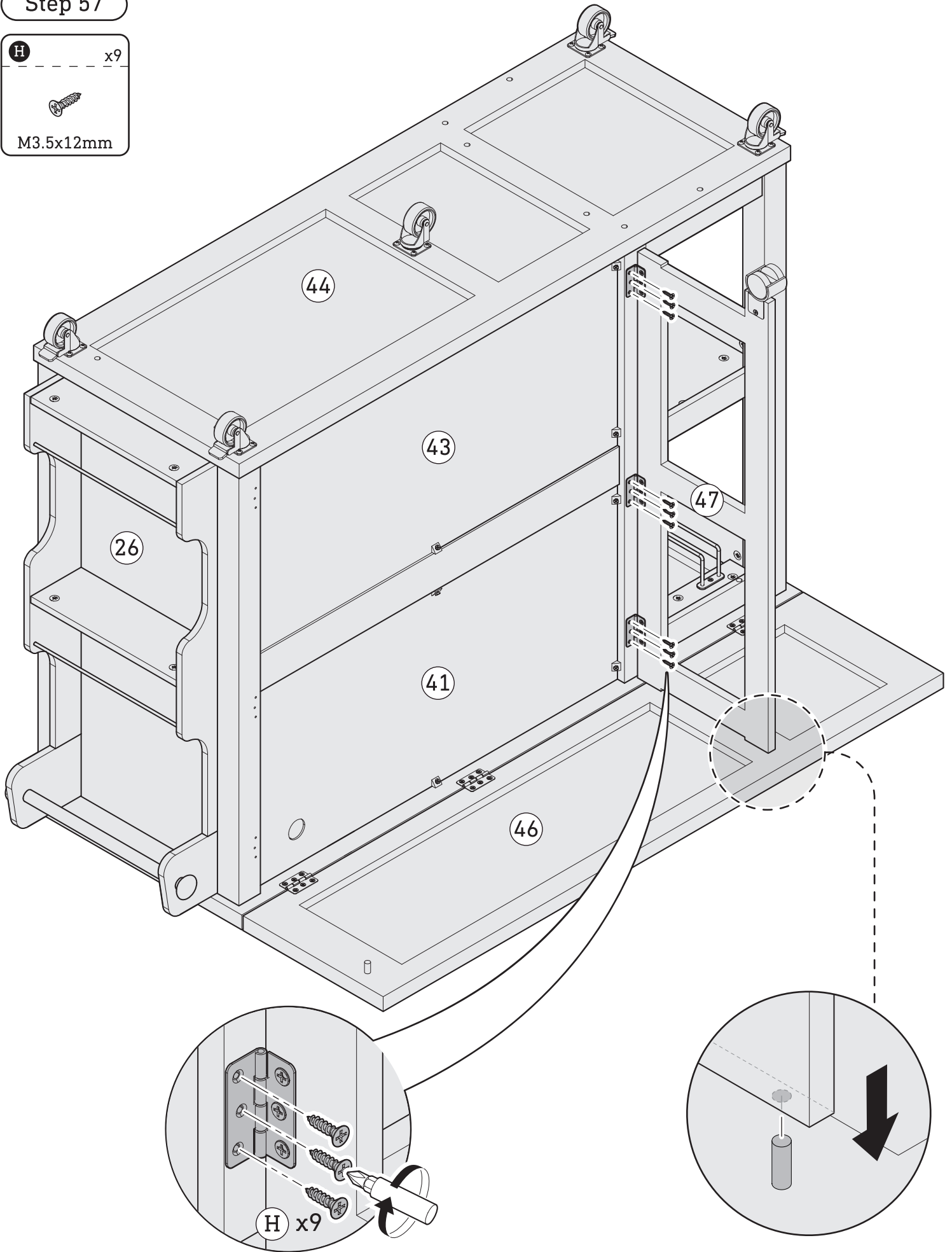
V x2


Step 57

H x9

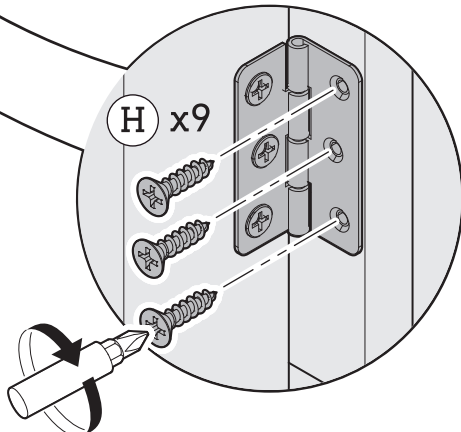
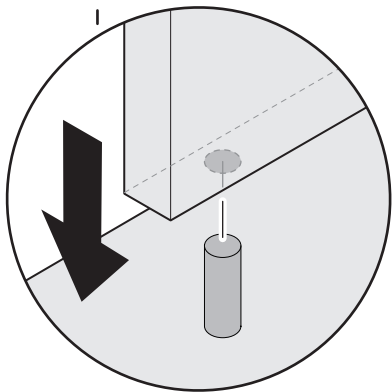
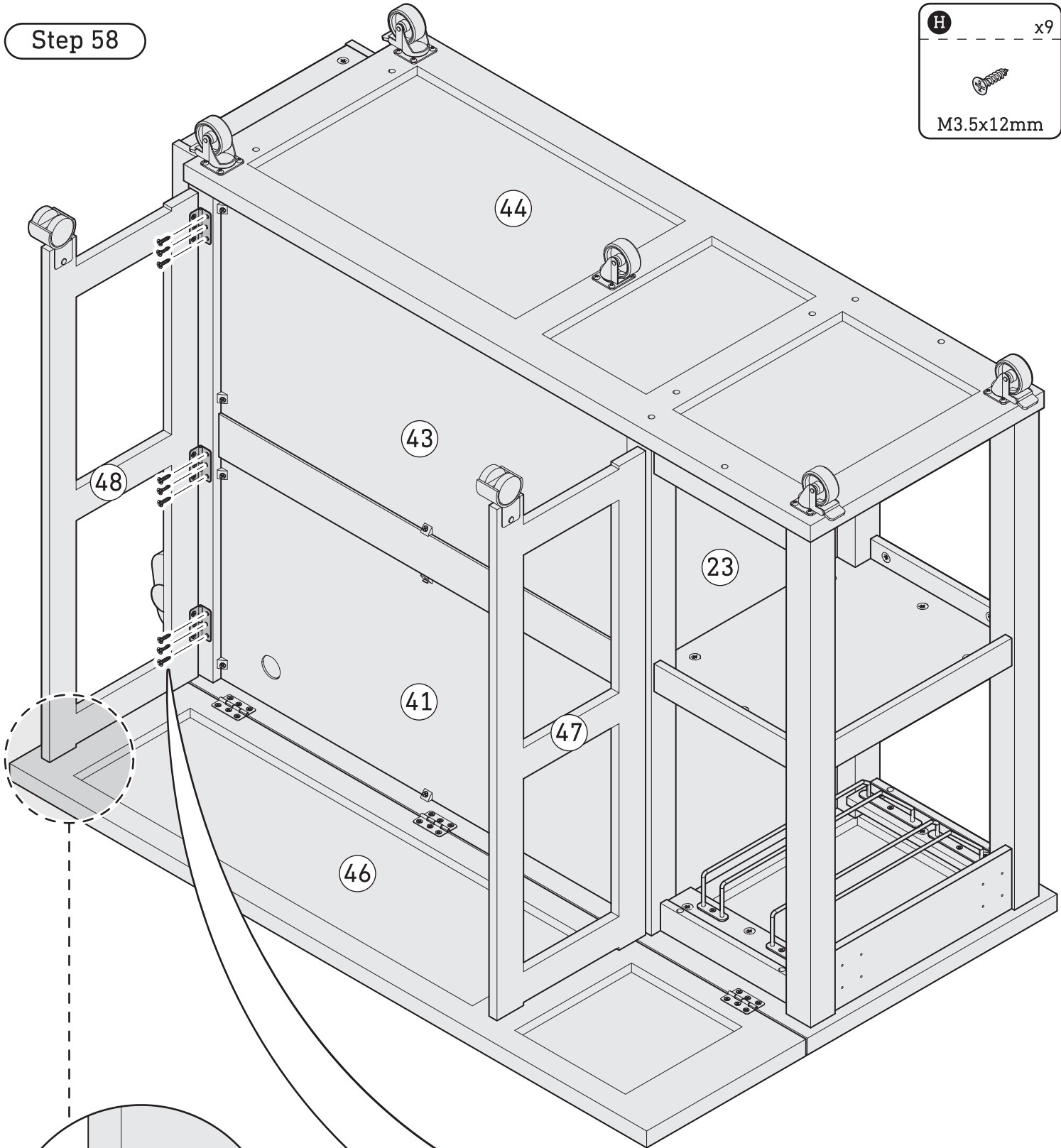



M3.5x12mm

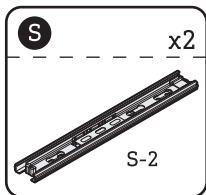
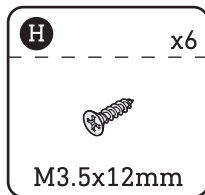
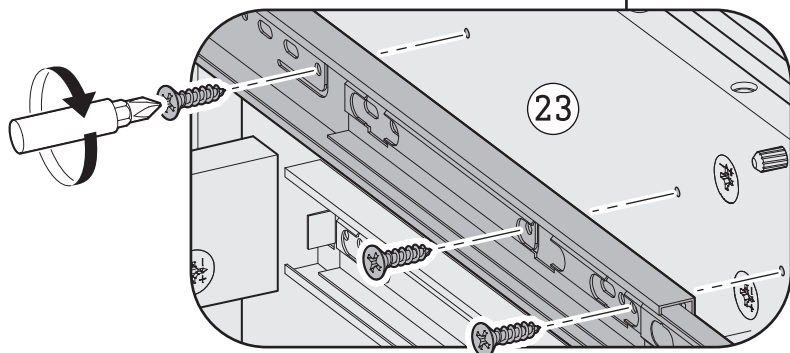
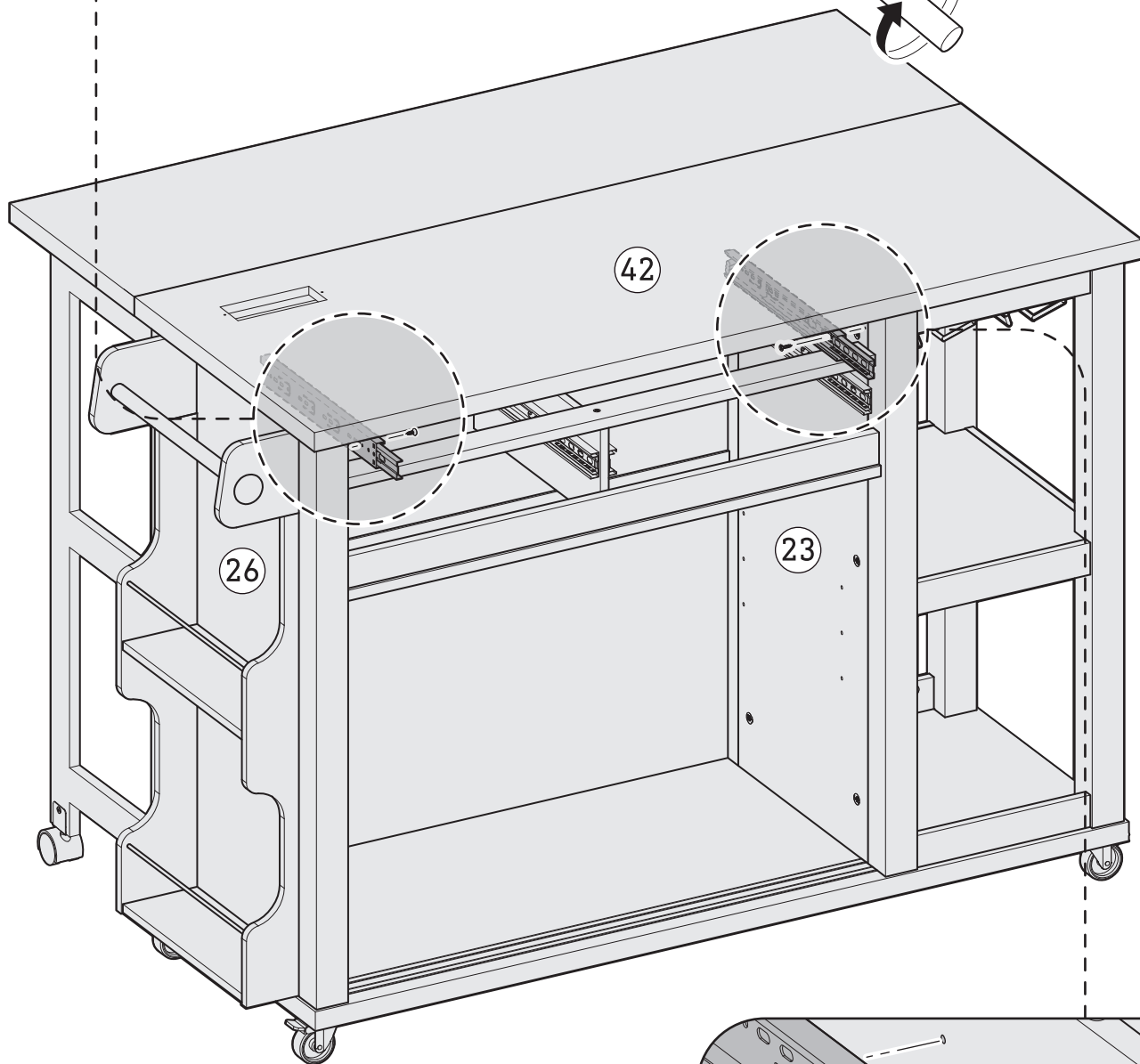
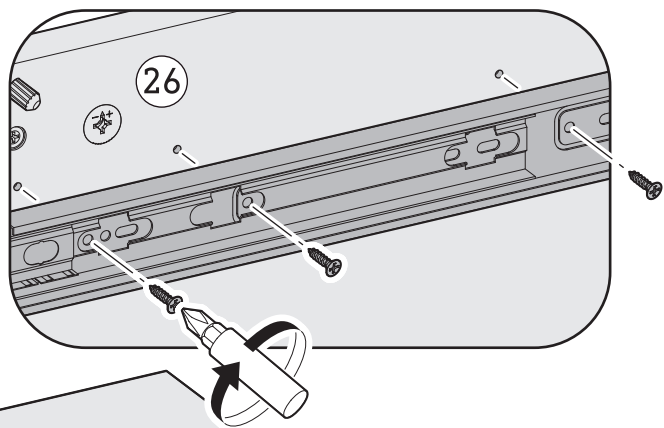
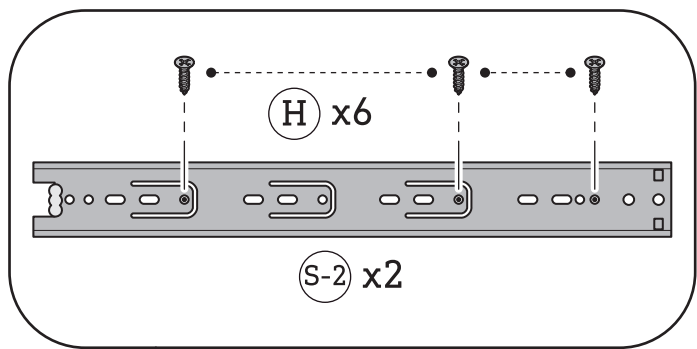


Step 58

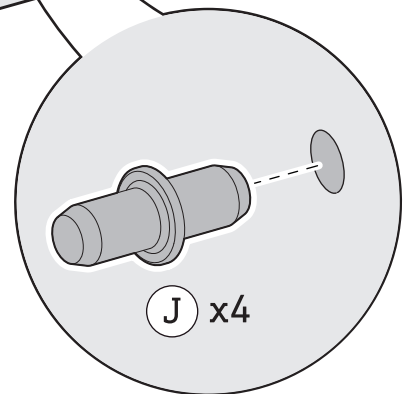
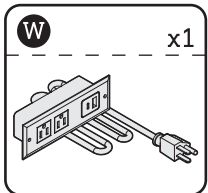
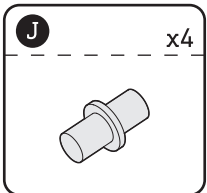
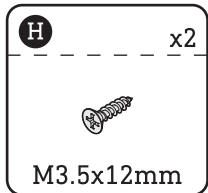
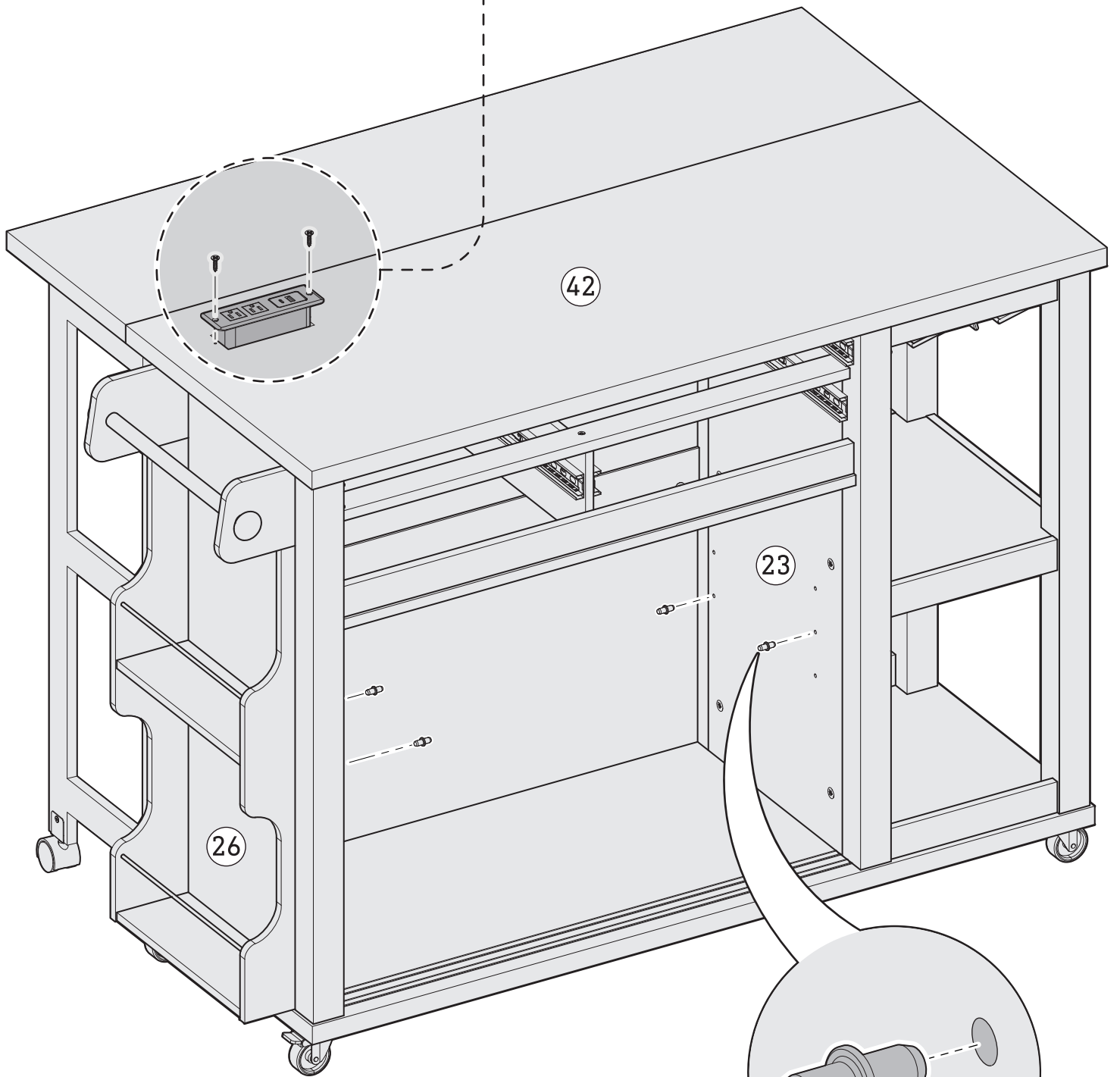
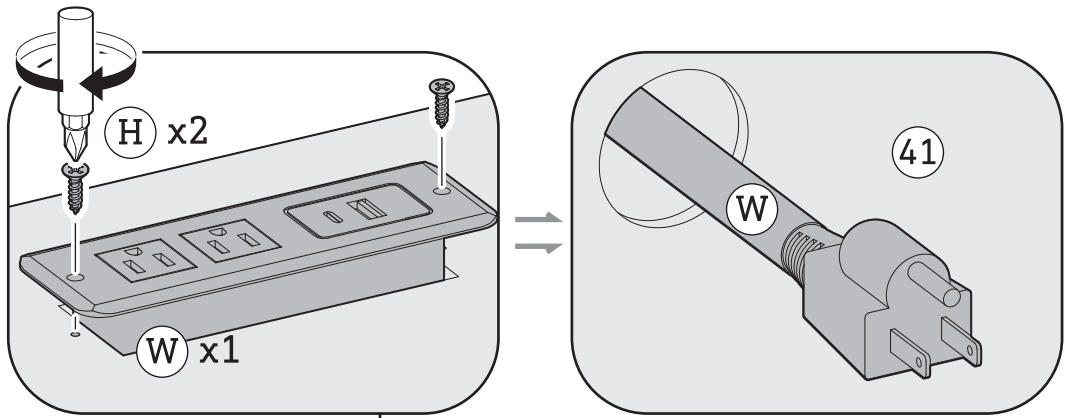
H x9
M3.5x12mm



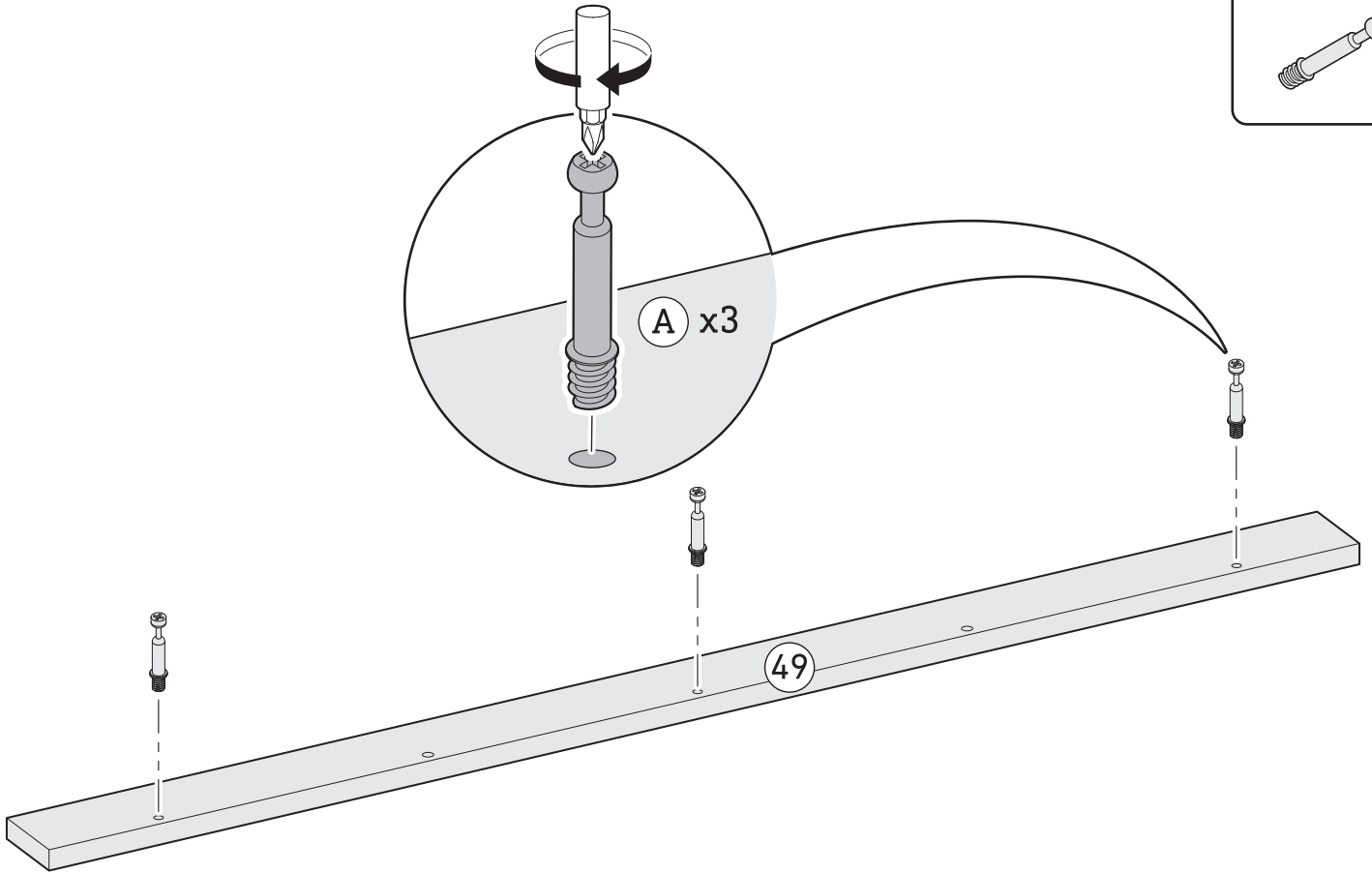
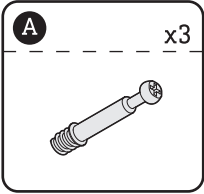
Step 59



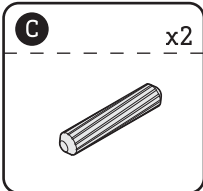
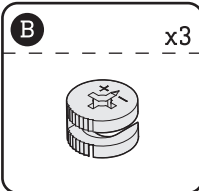
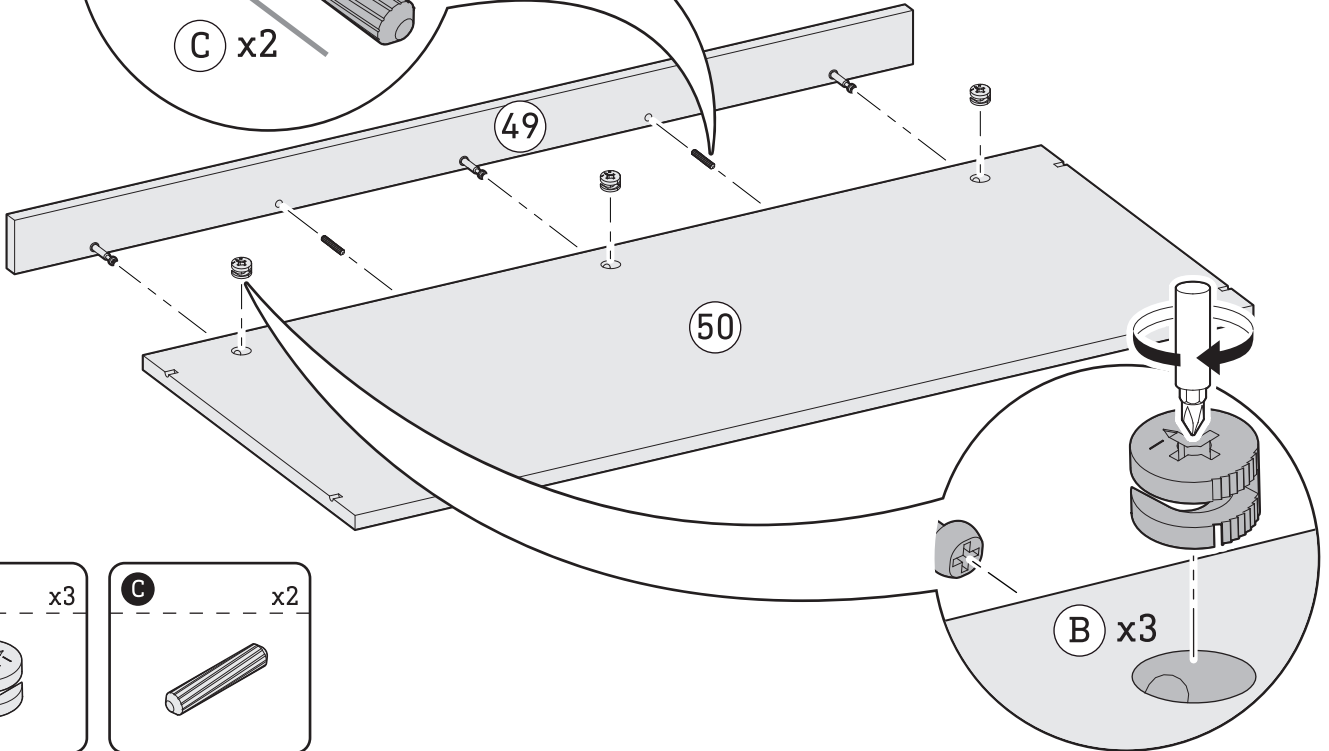
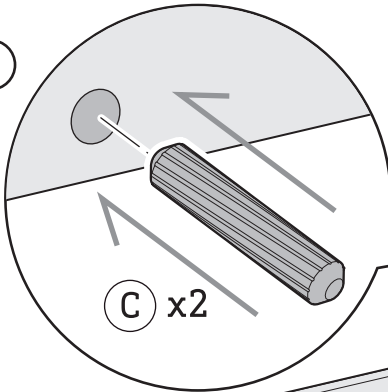
Step 60



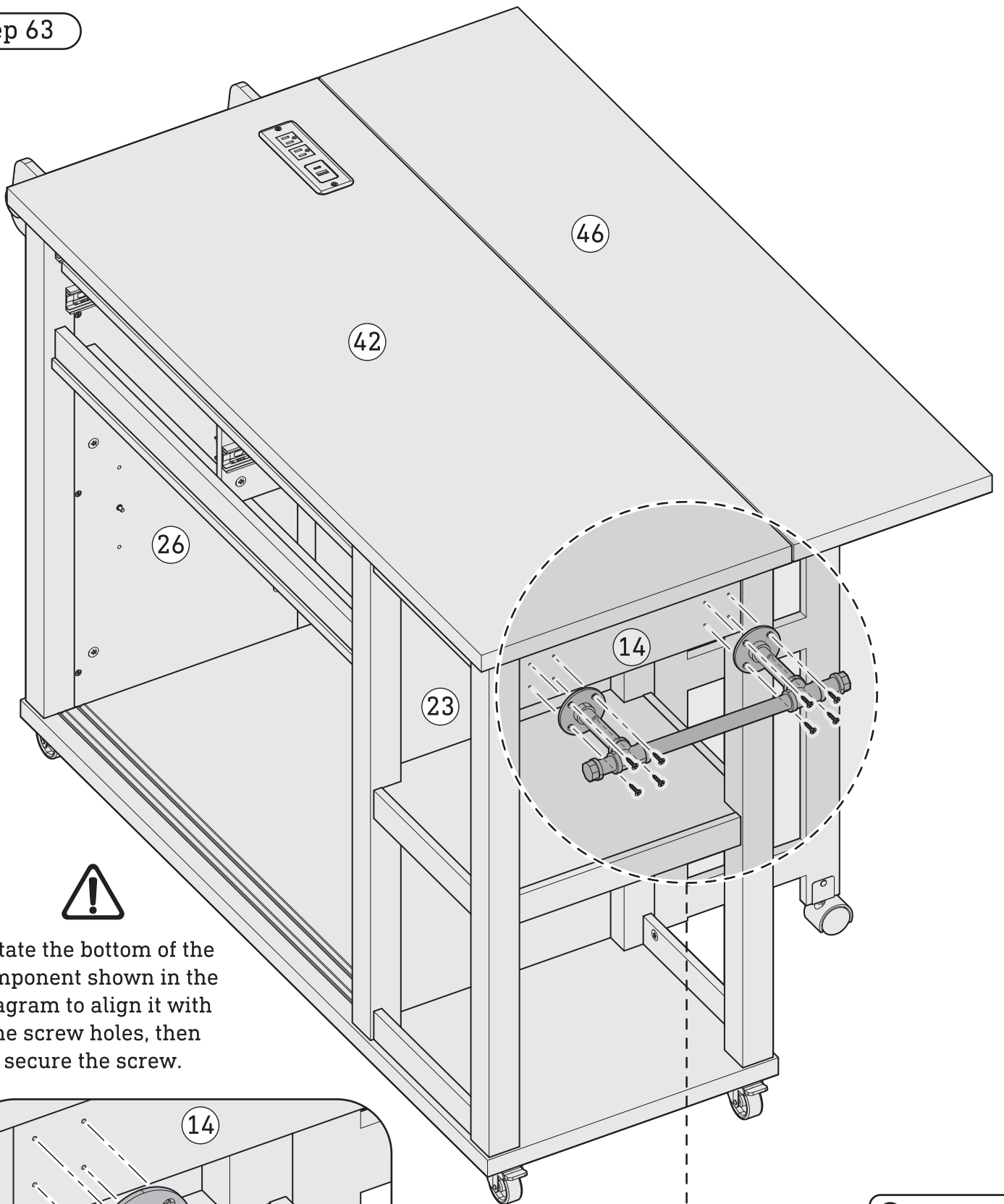
Step 61



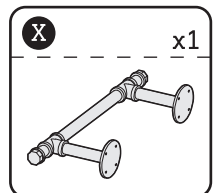
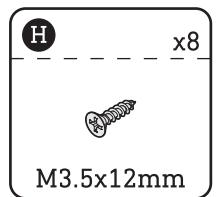
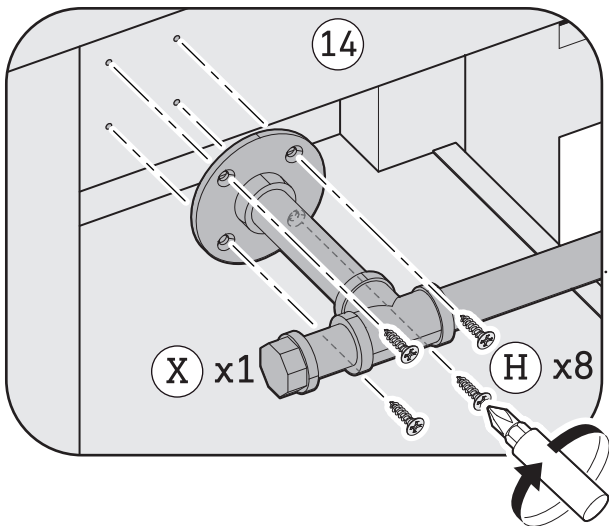
Step 62



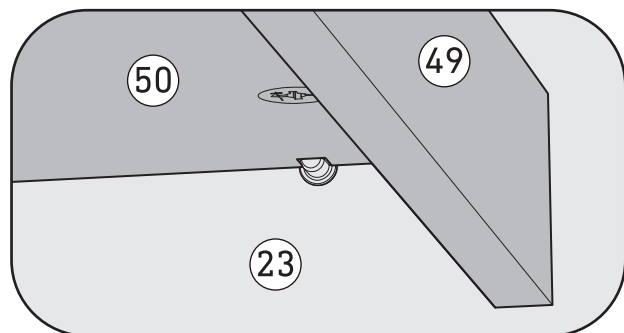
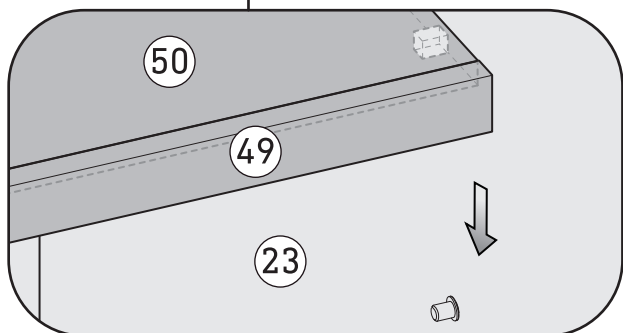
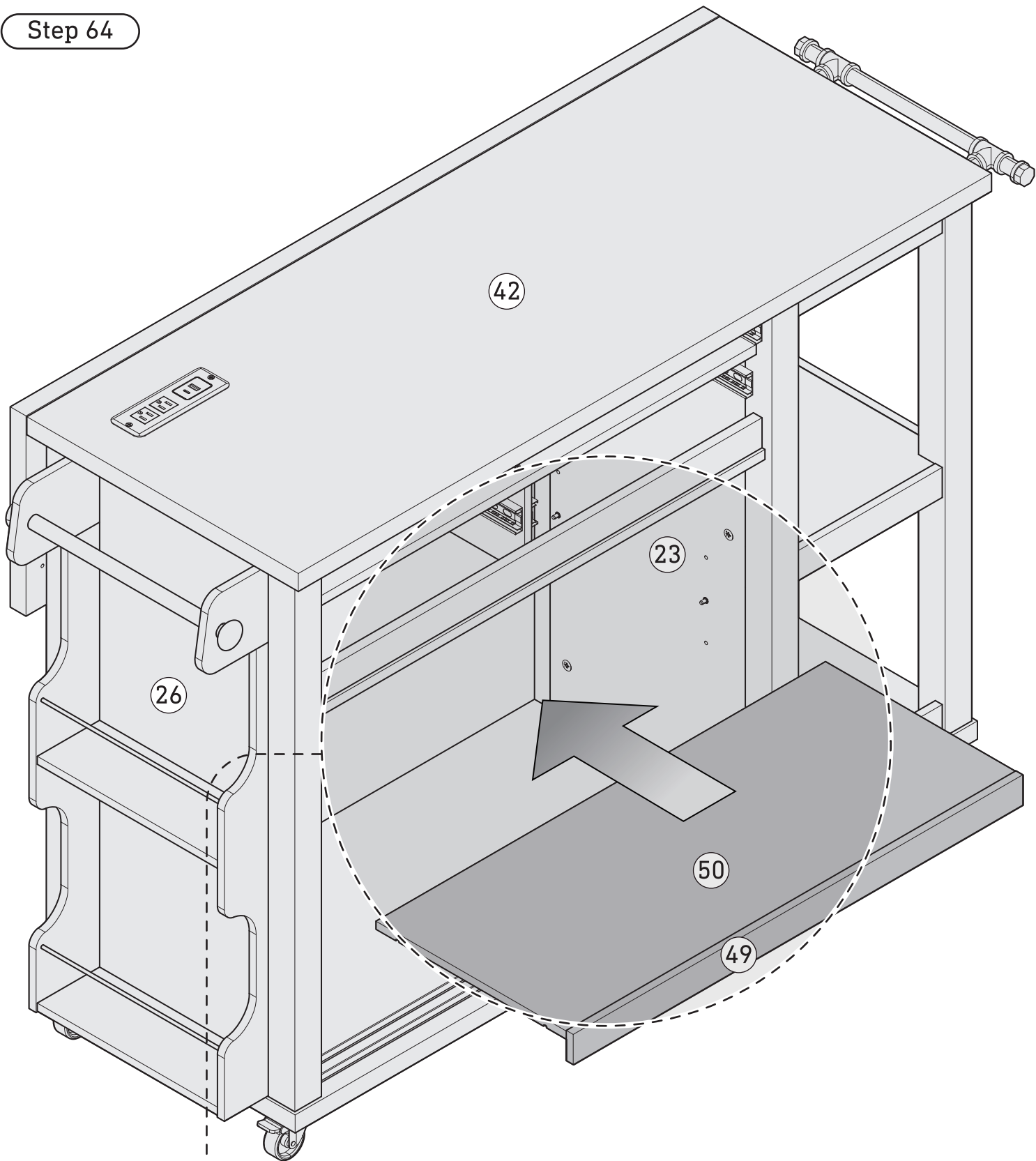
Step 63



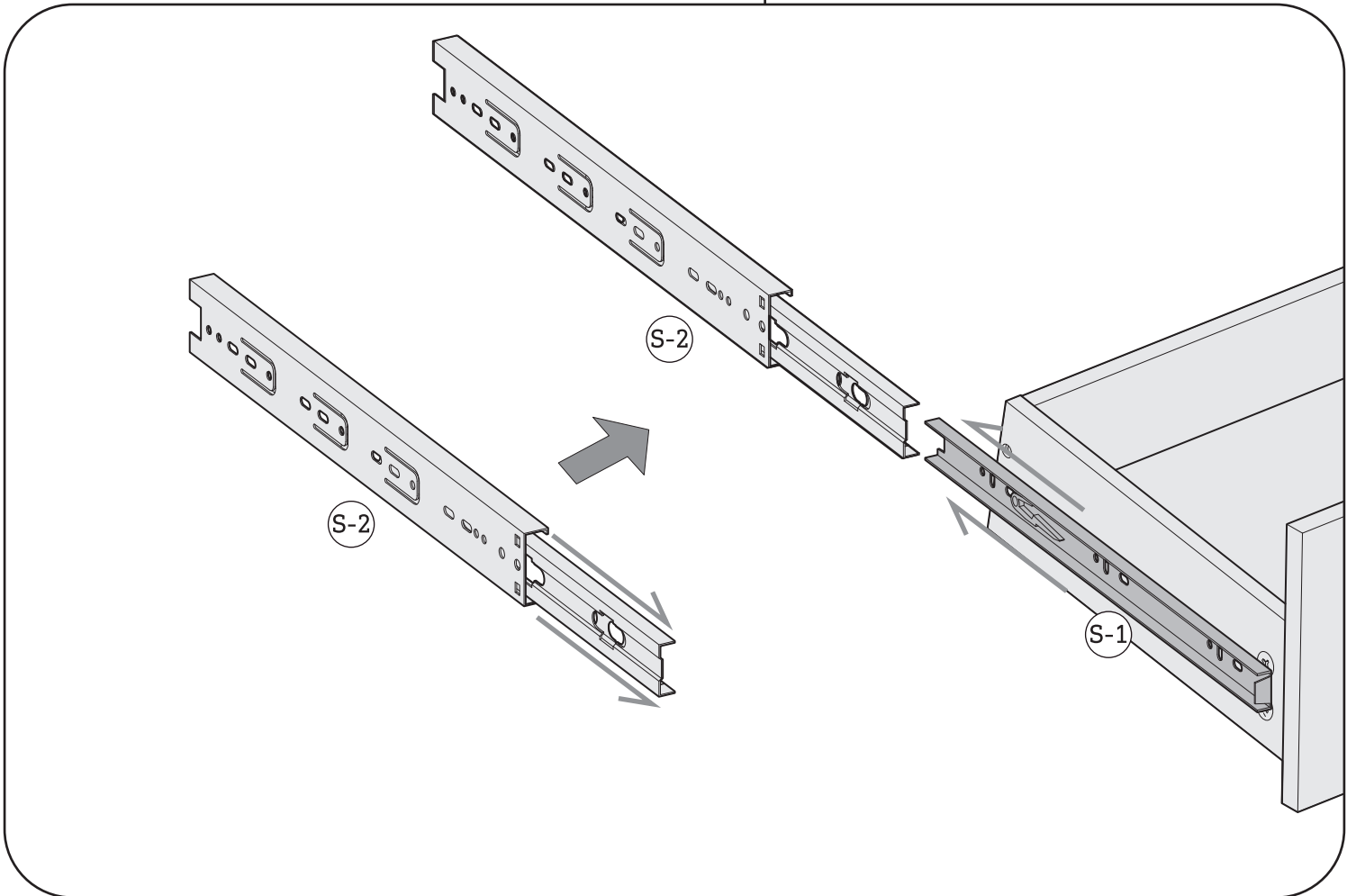
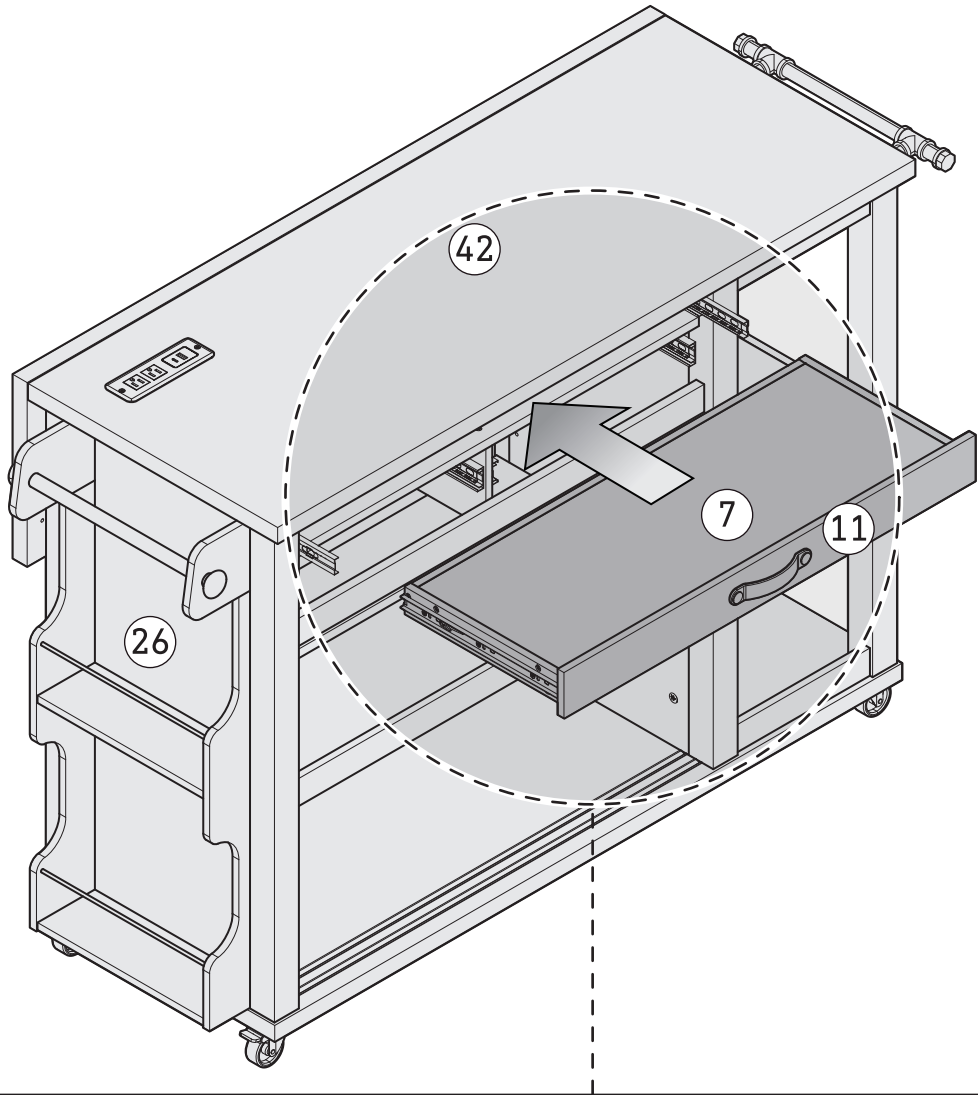
Rotate the bottom of the component shown in the diagram to align it with the screw holes, then secure the screw.



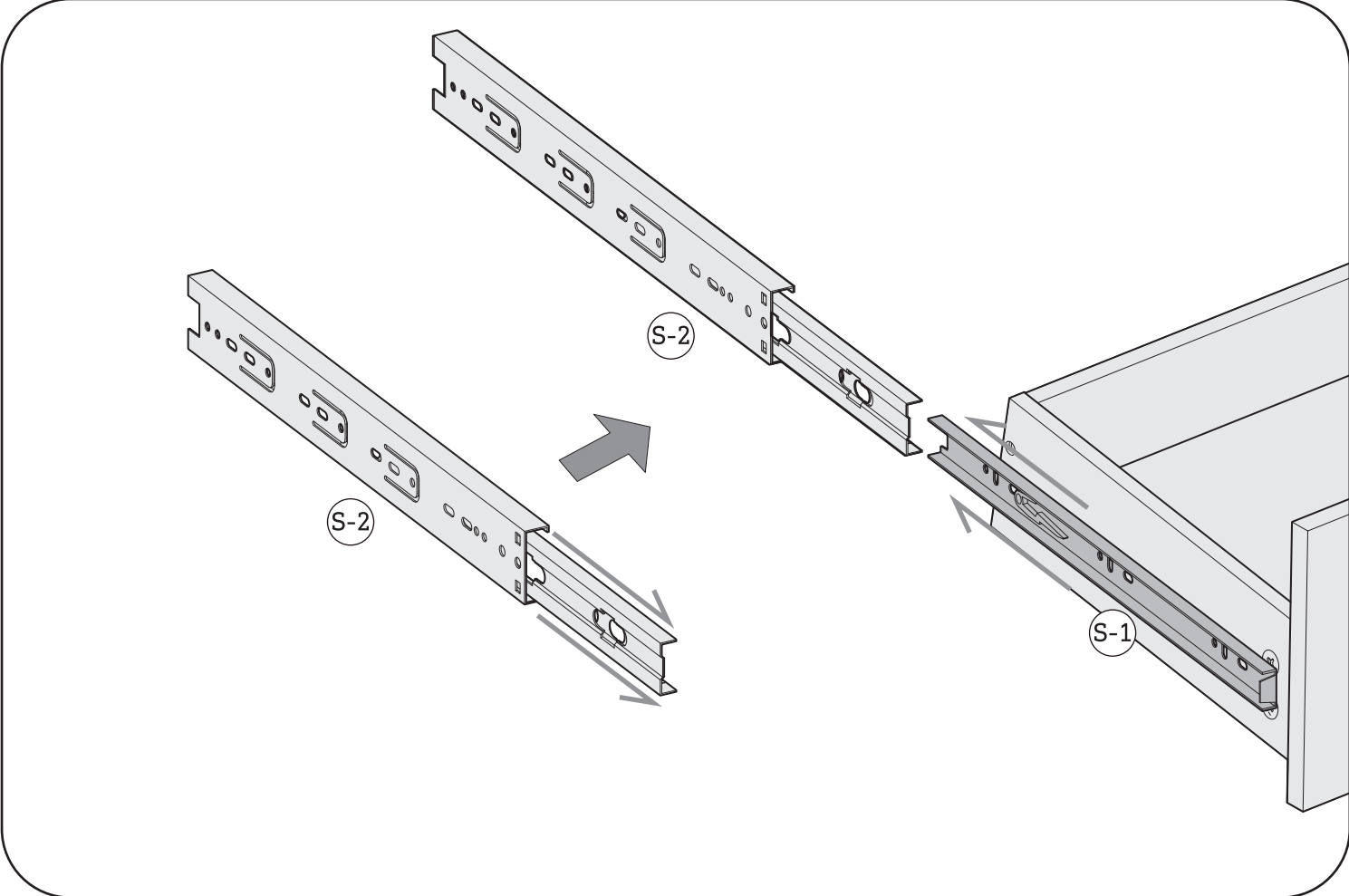
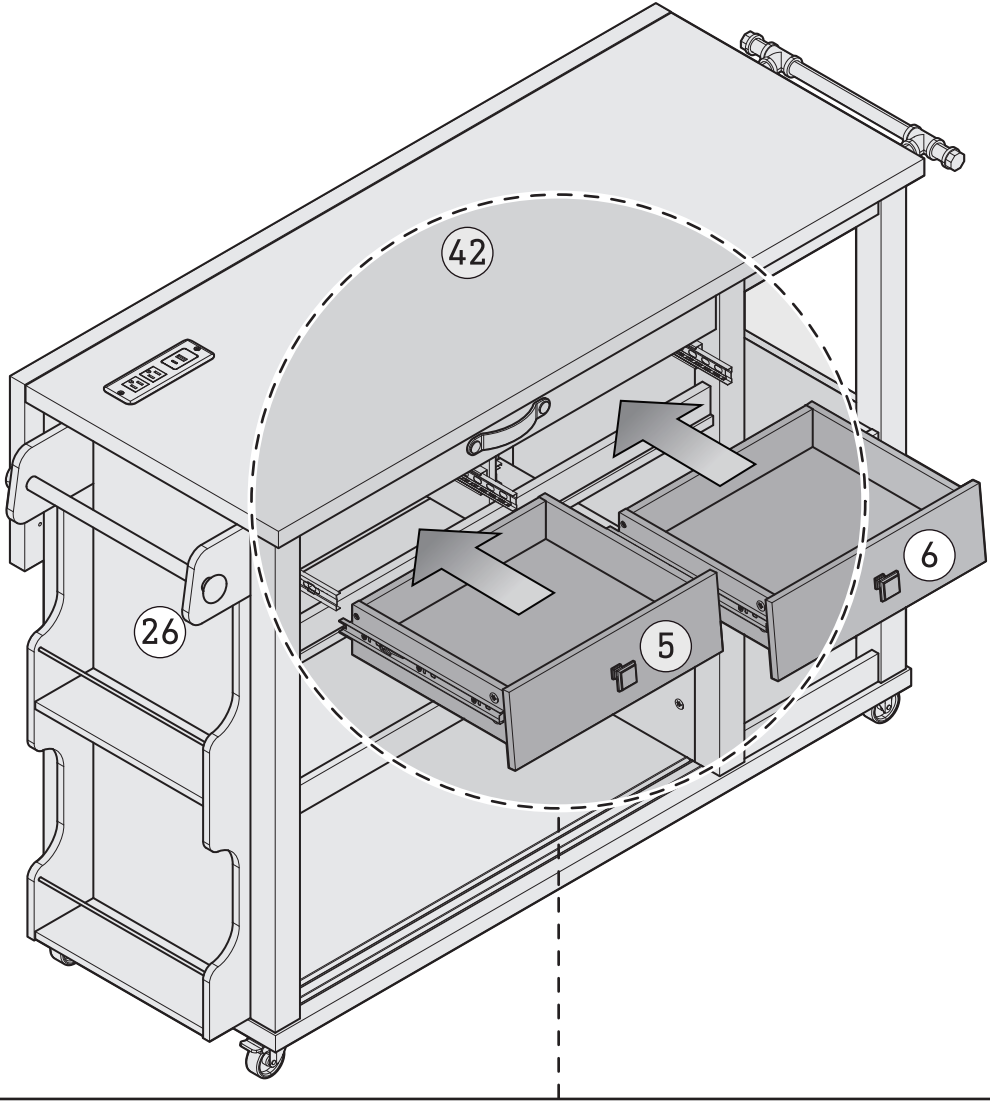
Step 64



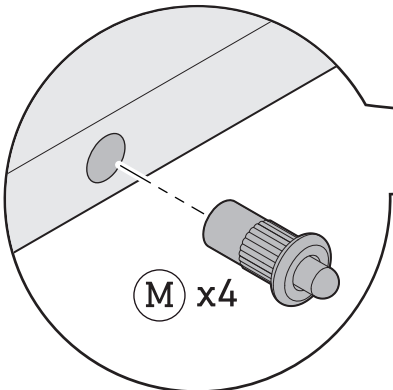
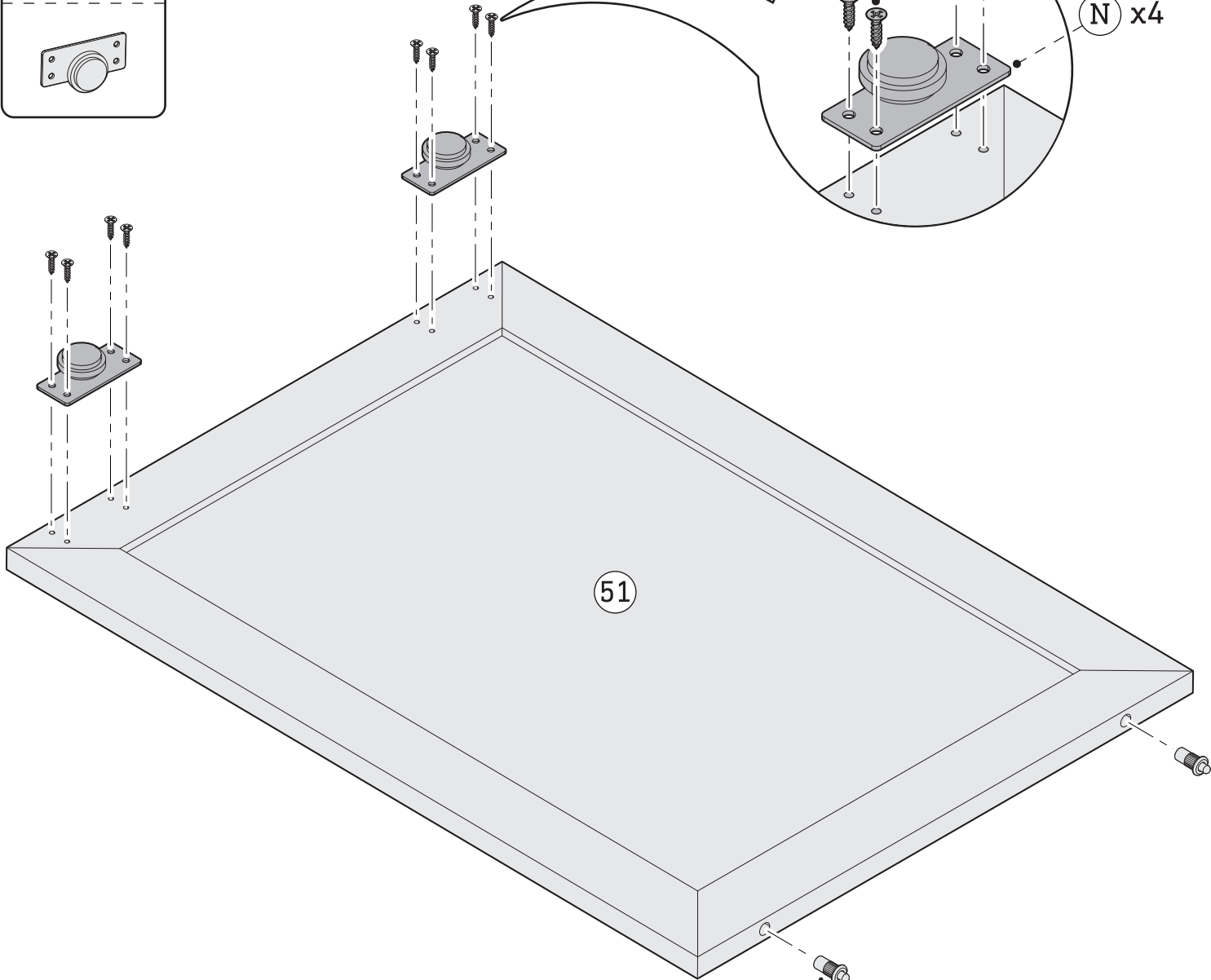
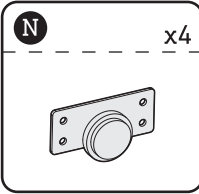
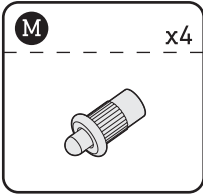
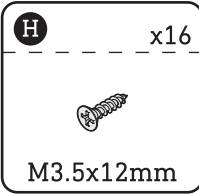
Step 65



Step 66

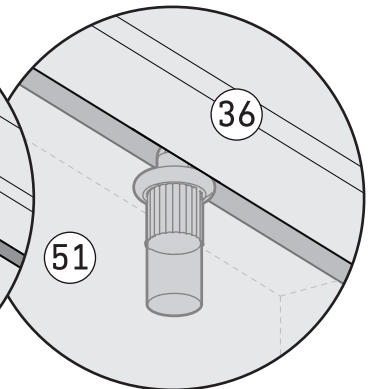
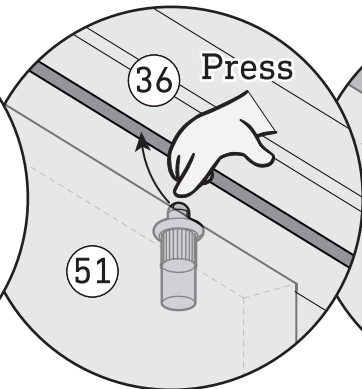
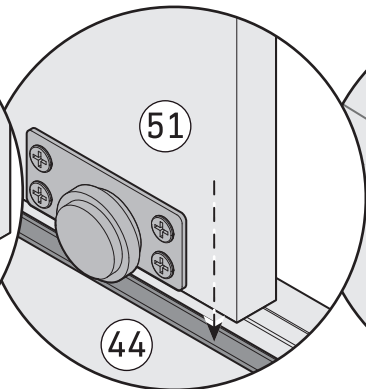
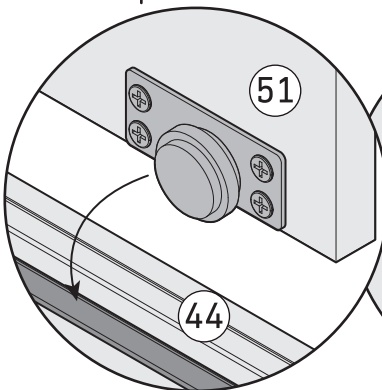
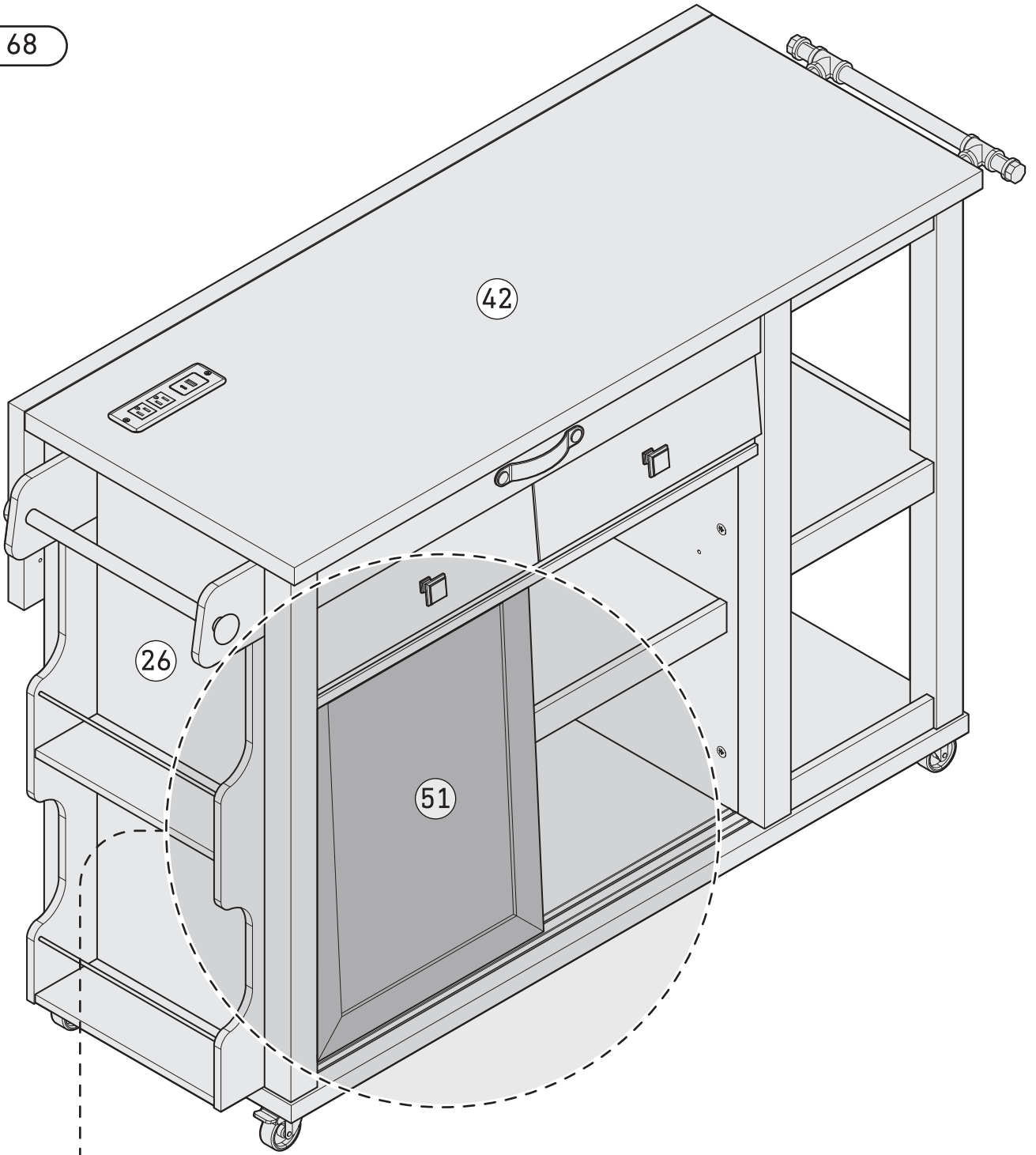


Step 67

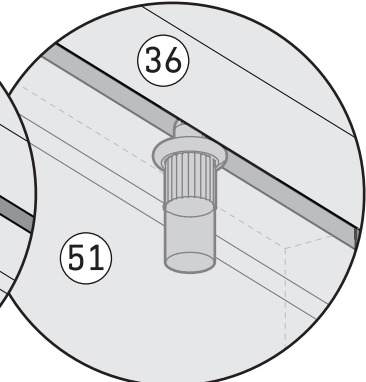
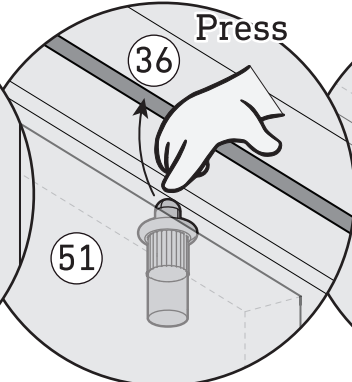
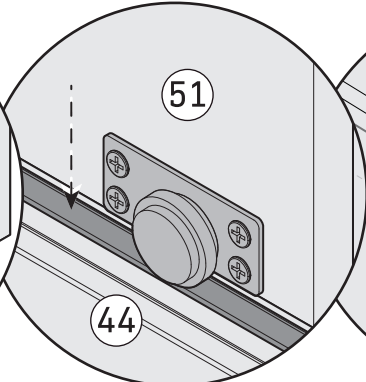
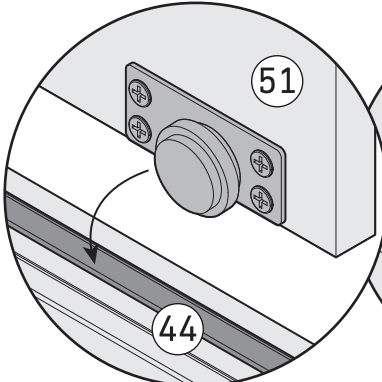
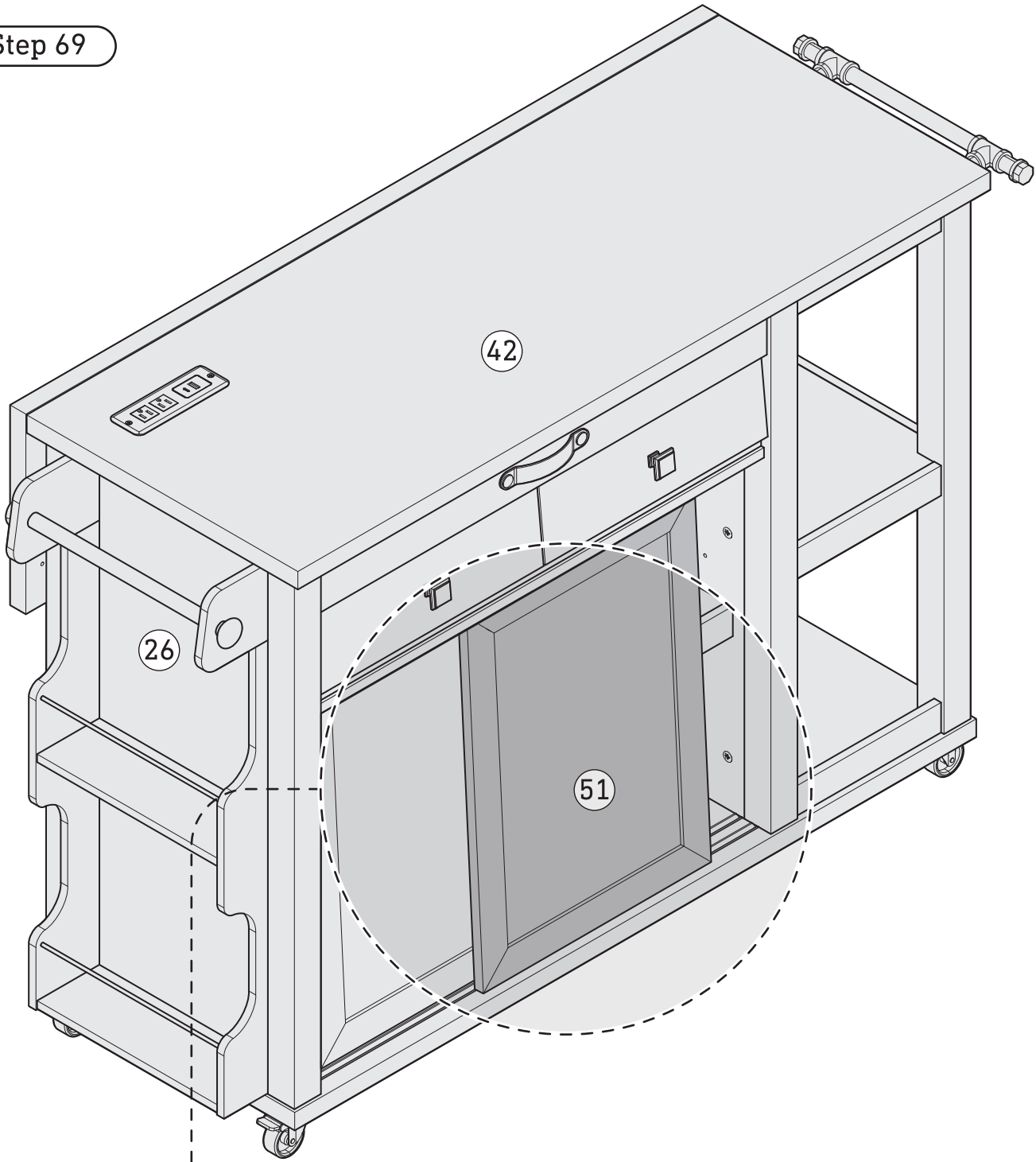


x2

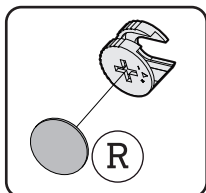
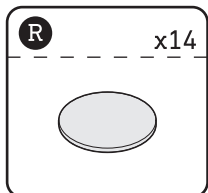
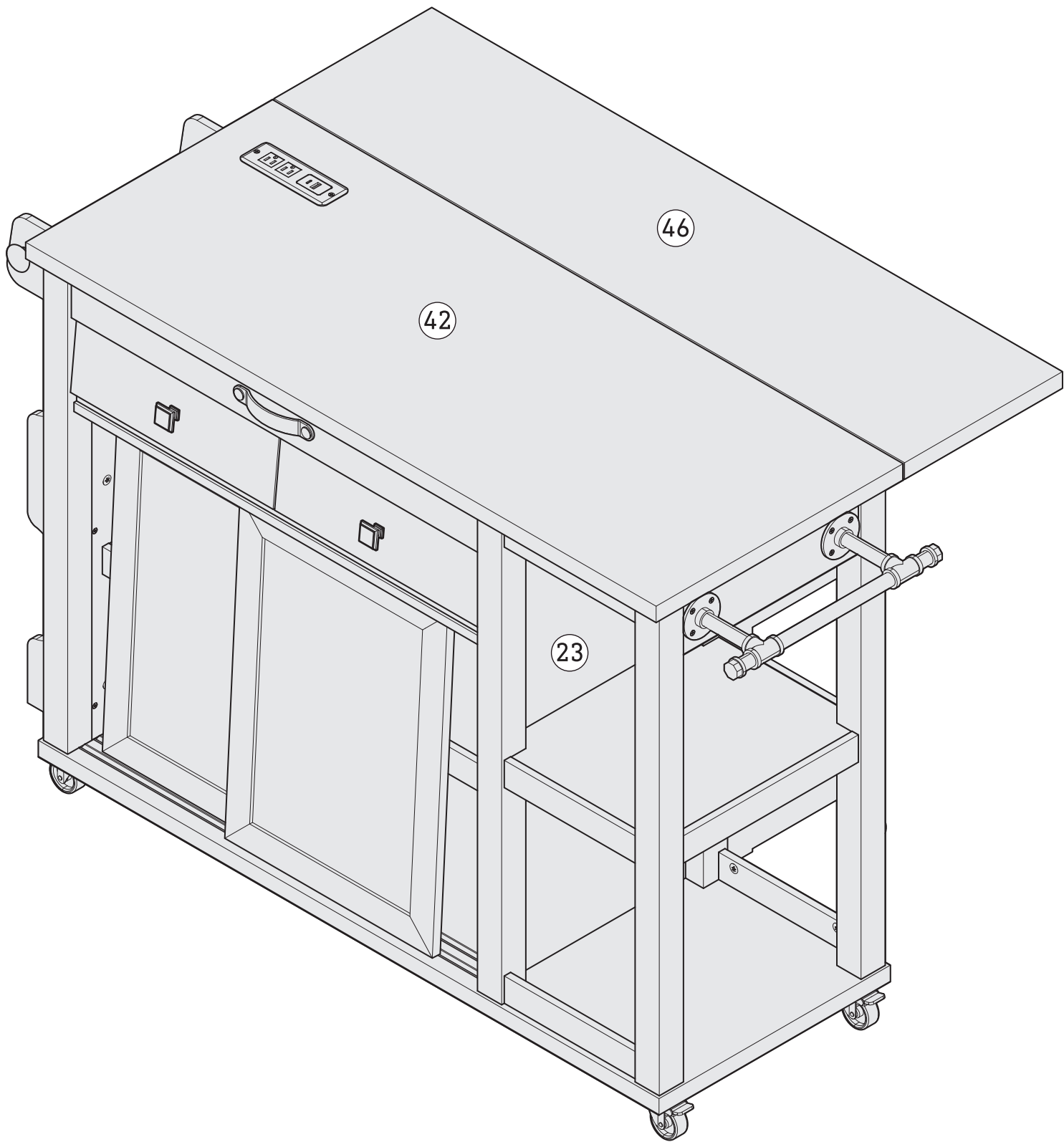
Step 68



Step 69



Step 70



ENJOY!

