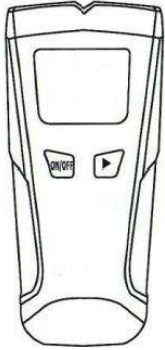


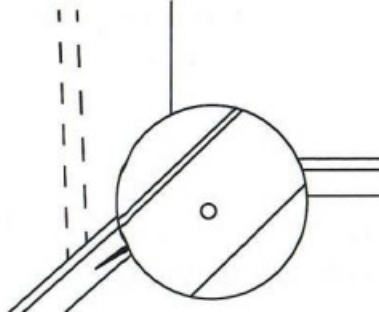
How to Find a Stud

We highly recommend putting at least one screw in a wall stud, Whenever possible for maximum support.

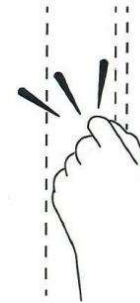
1. Easiest method is to purchase a Stud Finder to help mark where the wall studs are.



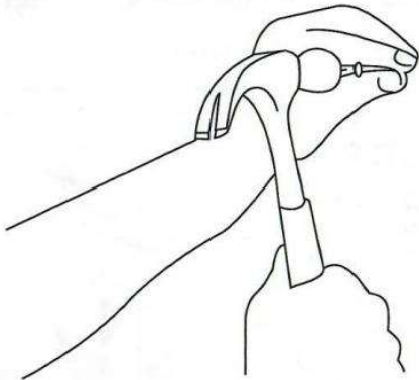
2. Check baseboard or crown molding trims. They are usually attached to studs. Look for small dimples in the trim which is where the nails are covered up with caulk and paint.



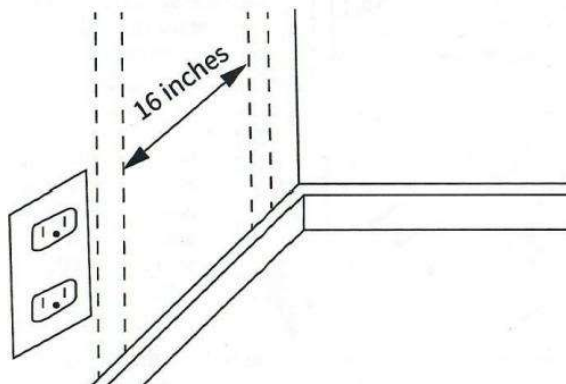
3. Try the Knock Test. Lightly knock on wall. If you hear a hollow sound, there is no stud there. If you hear a solid sound, that is where the wall stud is.



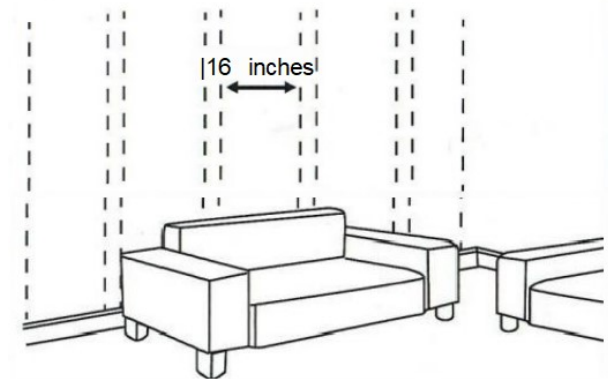
4. Try the Pin test. Drive a pin into the spot on the wall where you think there is a stud. If the pin stops before going all the way in, you have found the stud. If it goes all the way in, there is no stud there.



5. Locate electrical switches and outlets on your walls. They are usually attached to the side of a wall stud. Turn power off and remove the switch or outlet cover to see which side of the wall stud it is mounted to. Studs are usually located at 16" intervals on either side of the outlets.



6. Corner to Corner method. Studs are usually 16" apart. Measure from any corner 16" to find a stud. Not all walls are divisible by exactly 16", so some might be slightly less than 16".



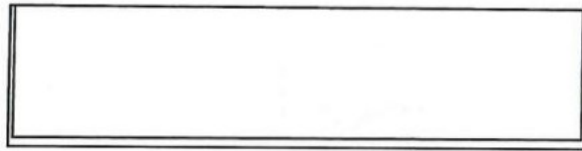
· Package Contents:



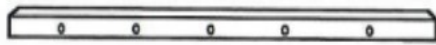
· Drywall Anchors 5×



· Screws 5×



· Fireplace Mantel 1×



· Wood Strip 1×

· Easy To Follow Instructions

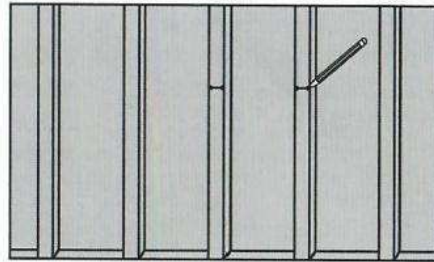
It is highly recommended to mount the shelf to one or more wall studs to Achieve the maximum weight capacity. Please see the information provided on how to find a wall stud.

· Important Notes:

- 1.If you are hanging your shelf on a concrete wall or brick wall you will need other anchors for your particular wall material.
- 2.Install our shelf and shelving units according to the instructions provided.
- 3.We are not responsible for injury or damage resulting from incorrect installation or use.
- 4.Adult assembly required.Keep children away during installation.
- 5.Our shelving products are for decorative use only and are not for any other purpose.
- 6.If you need help with installation,or if parts are missing or broken,please contact us gobalhappy@163.com.

STEP1

Use the stud finder to detect the studs and mark the width of the studs.
(To achieve the maximum weight capacity,it is highly recommended to mount the shelf on at least one wall stud.)



STEP2

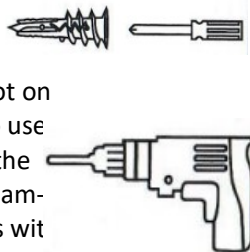


Place the wood strip in the desired position with the arrow pointing upwards,level it,and mark the holes.

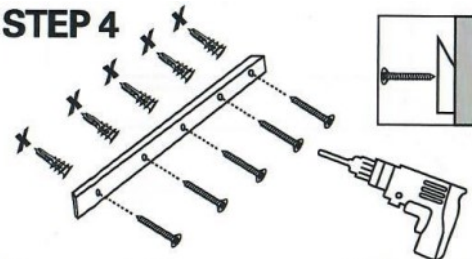
Note:Ensure that at least one of the holes overlaps a wall stud.

STEP3

If the marked holes are not on the studs,you will need to use drywall anchors.Remove the brackets,drill holes(1/4" diameter) in the marked points with a drill,and screw in the wall anchors with a screwdriver.



STEP4



Use a screwdriver or a power drill to drill holes with the screws into the wood strip markings drywall anchors and wood wood strip

Note:Where the studs and holes overlap,there is no need to use drywall anchors,just drill the screws directly into the wall.

STEP5

Slide the shelf board onto the wood strip and it is ready to use.

