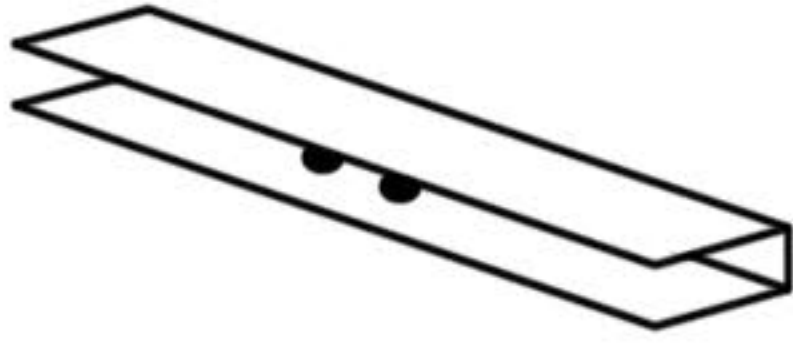


Wall Vanity Mirror
Assembly Instruction

Each package contains the following accessories for one arched or rectangular mirror:



#A x 2pcs



#B x 2pcs



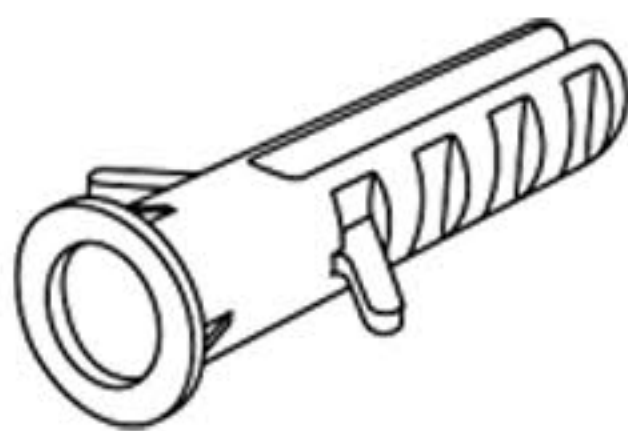
#C x 2pcs



#D x 4pcs



#E x 4pcs

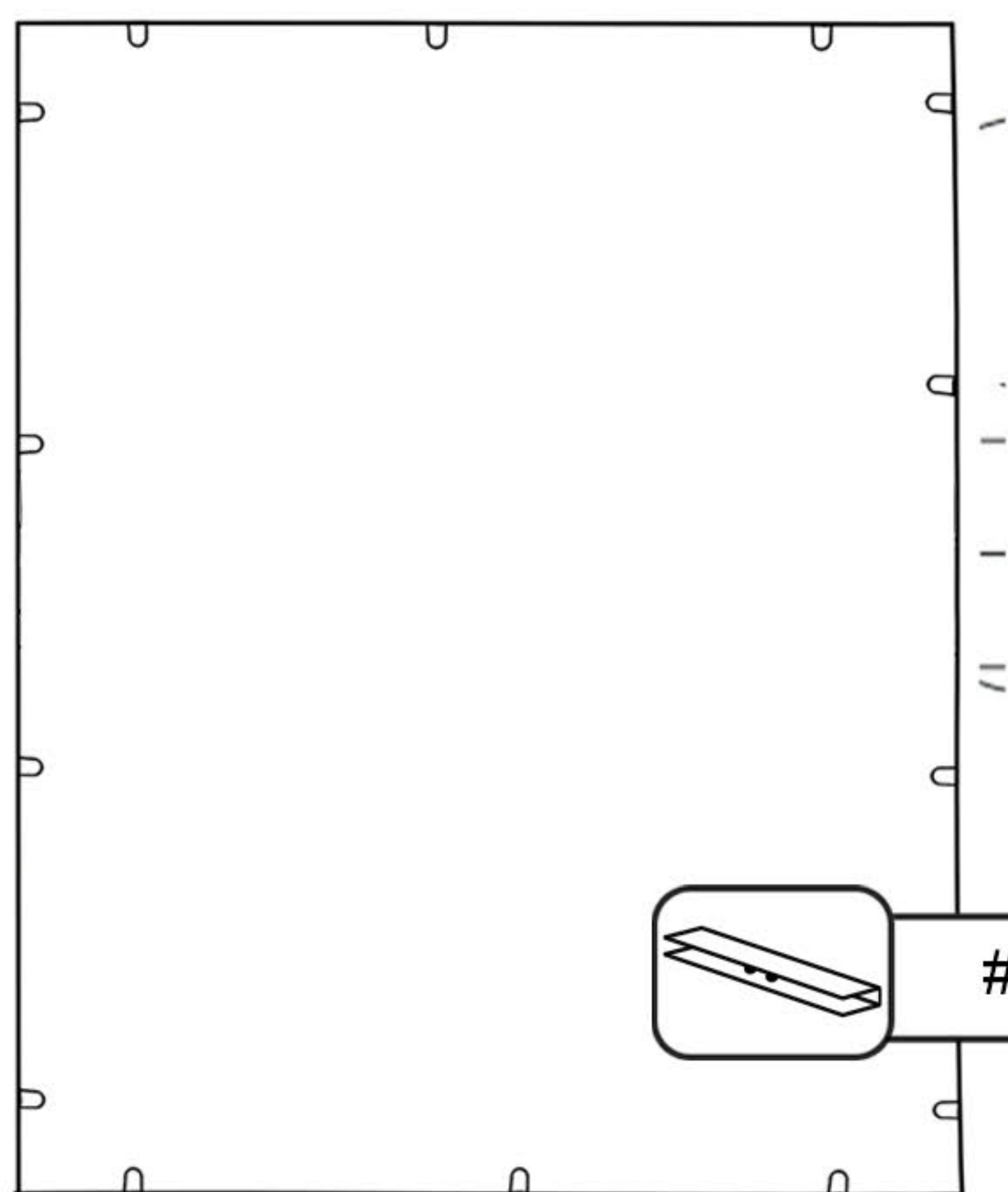


#F x 4pcs



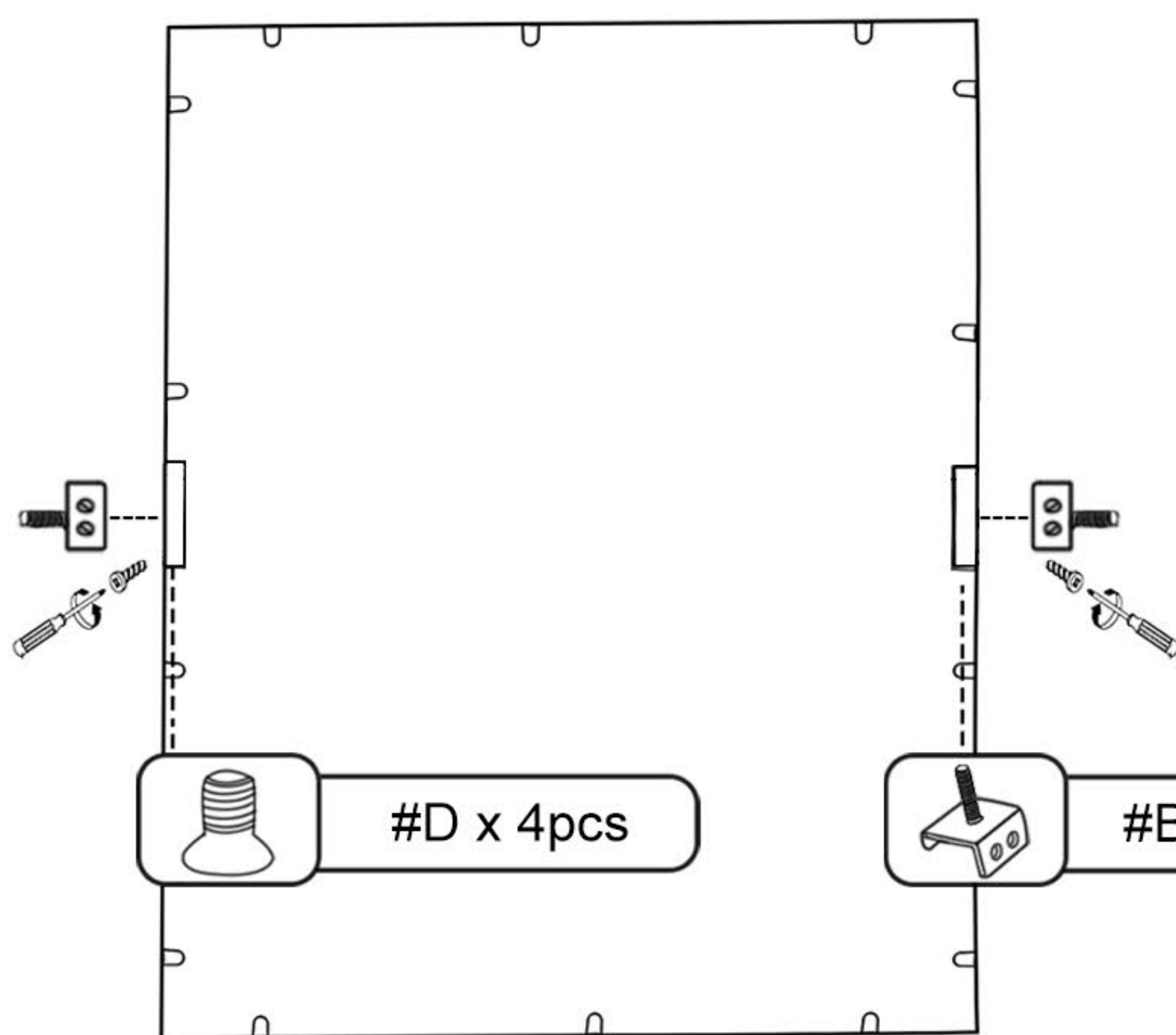
#G x 2pcs

STEP 1



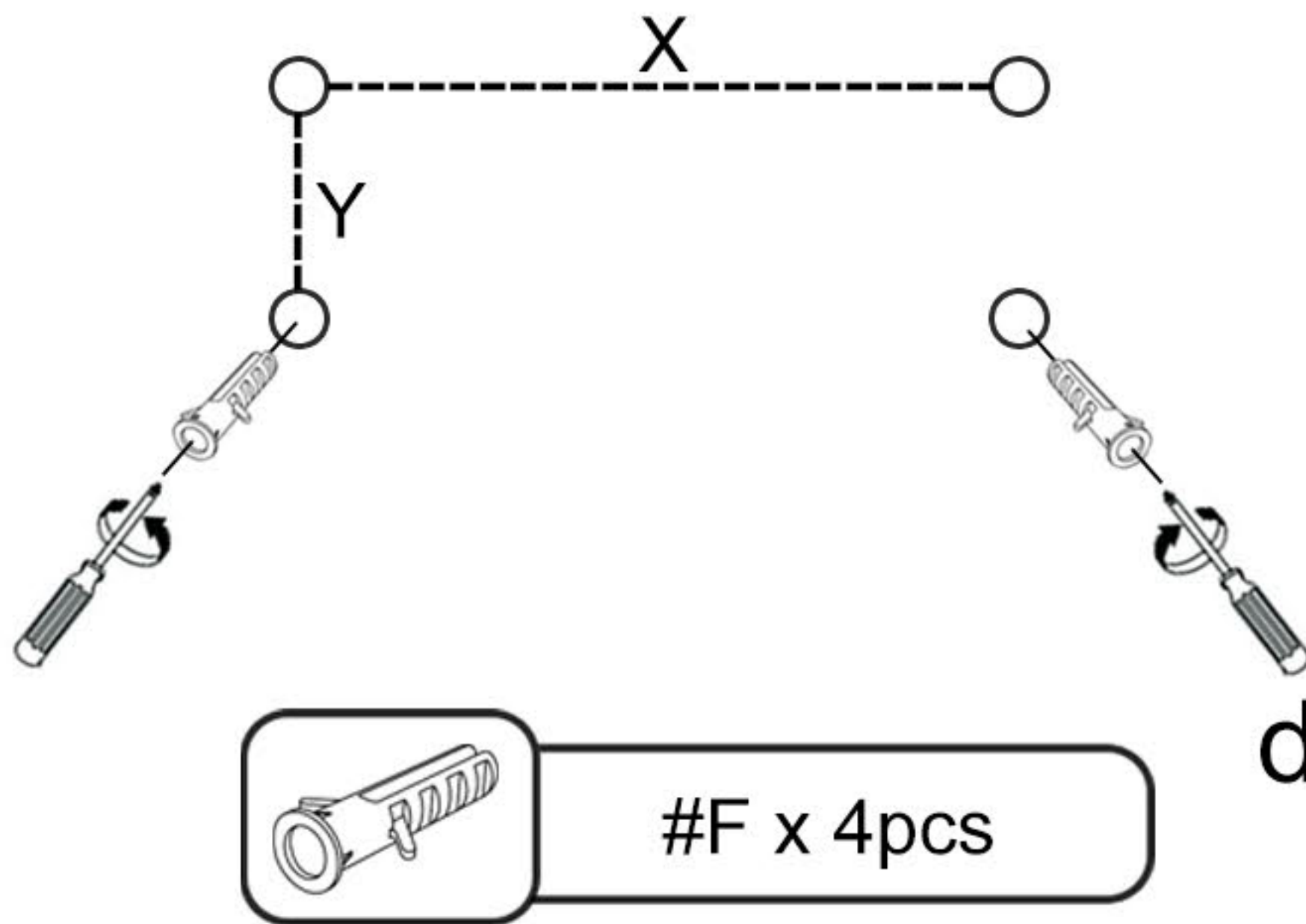
Place #A on the edges of the mirror.

STEP 2



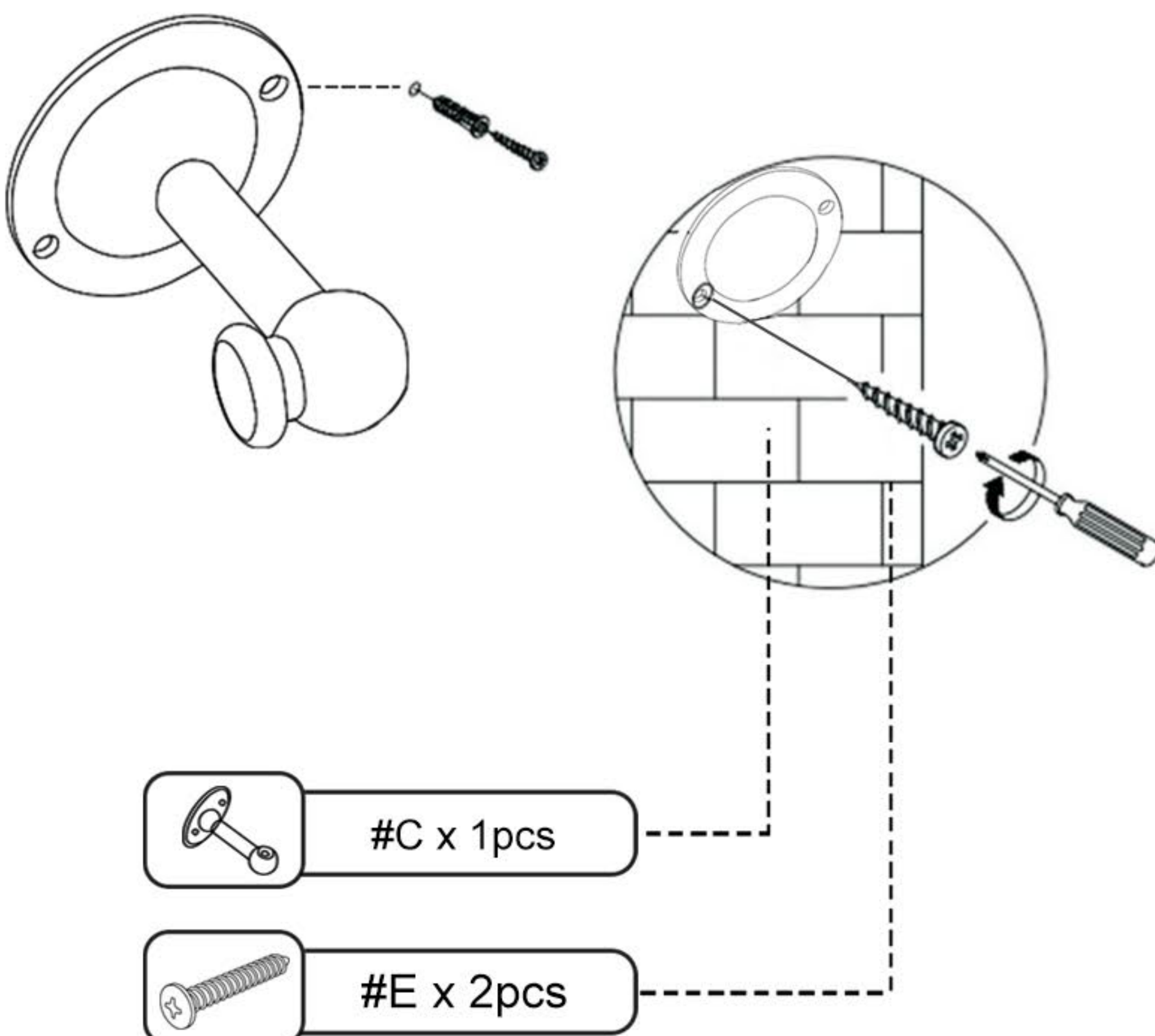
Place #B above #A and tighten it with #D.

STEP 3



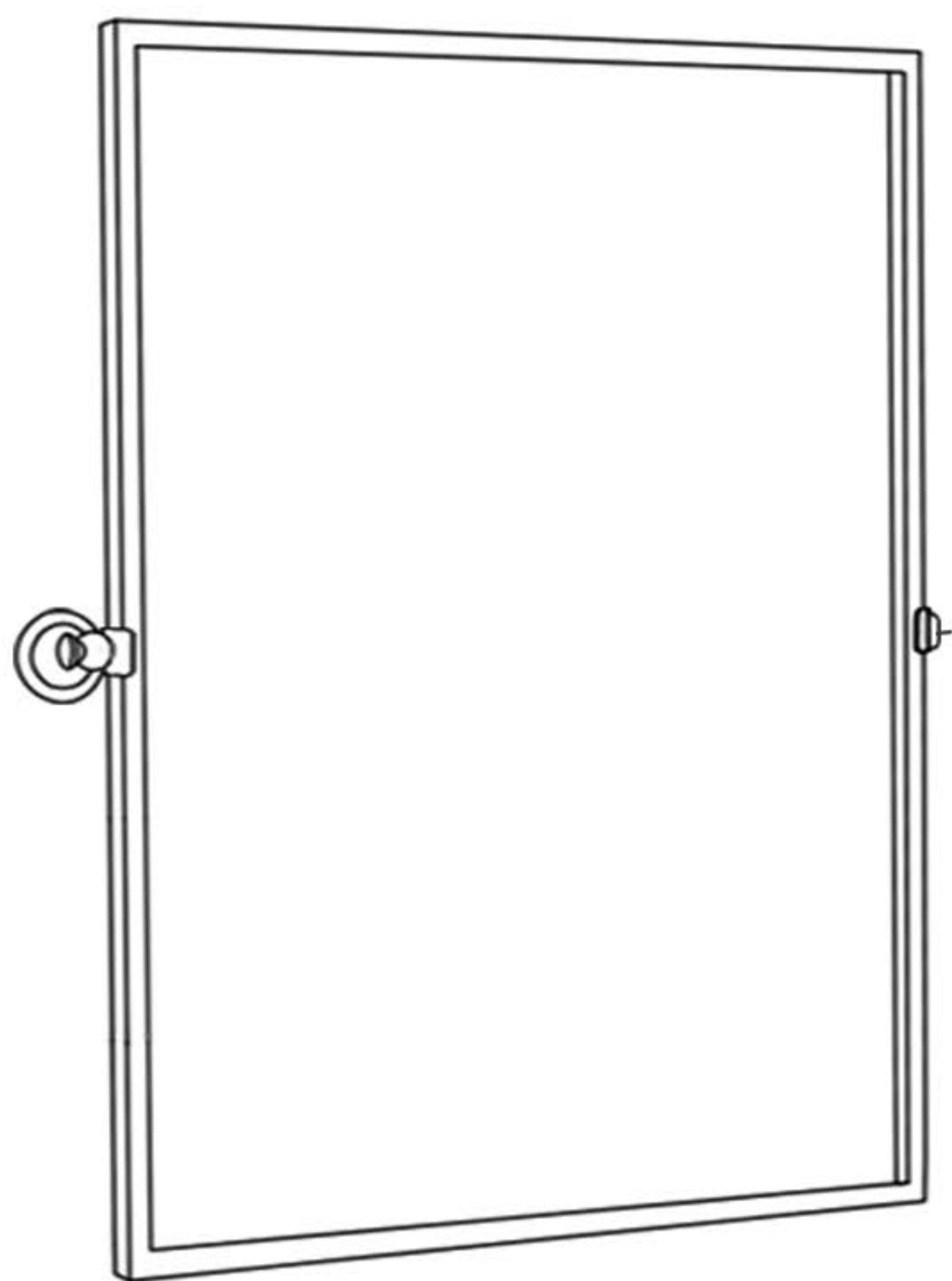
It is recommended to pre-install 2 pieces of #C on both sides of the mirror, and then measure the hole distance of #C. Drill four holes in the wall, and place #F in each hole.

STEP 4



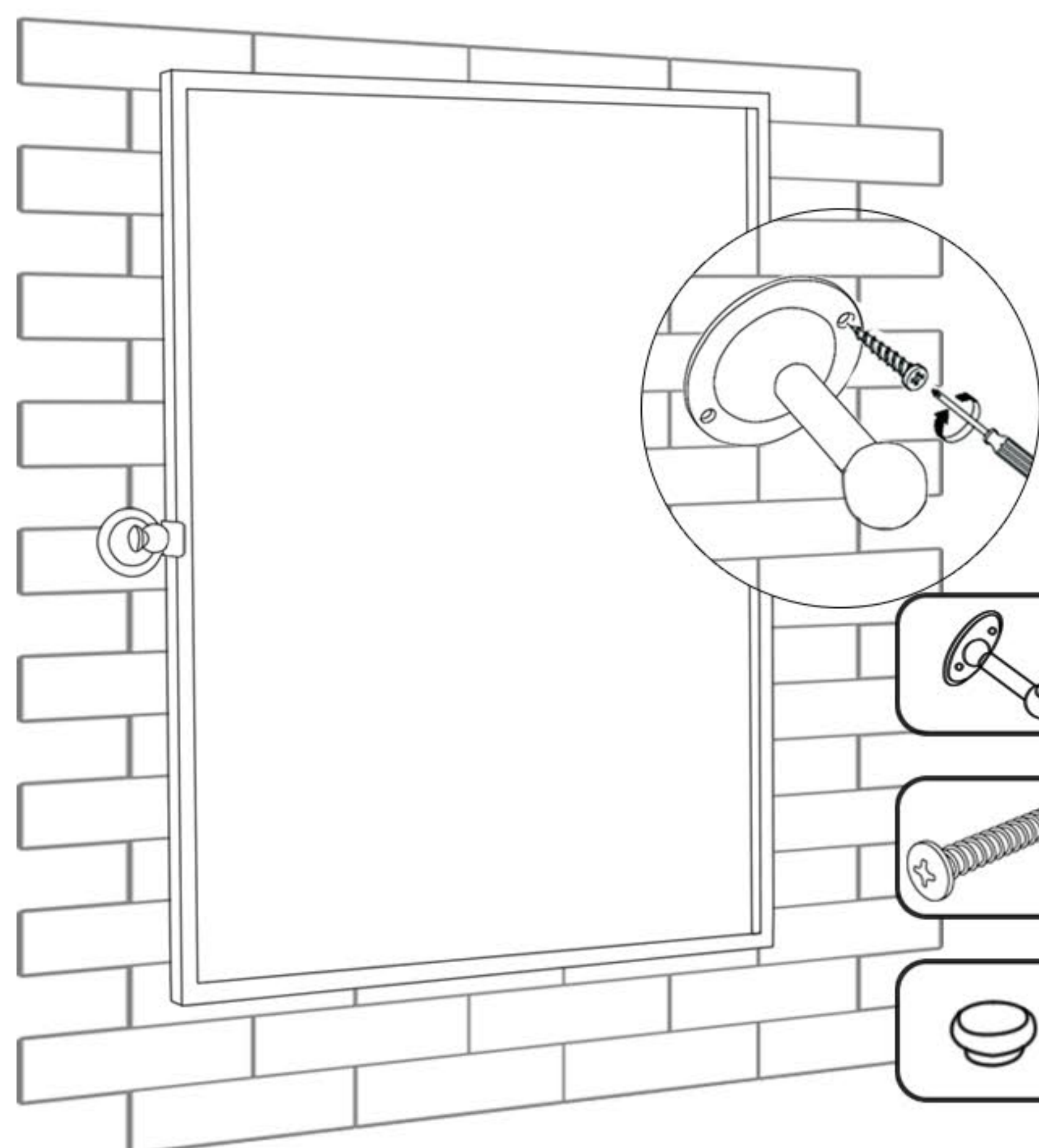
Use #E to fix #C to the holes on the left side of the wall.

STEP 5



Hang the left side of the mirror at #C on the wall.
Please hold the mirror carefully until completing the next step.

STEP 6



Place the other #C on the right side of the mirror.
Use #E to fix #C in the hole in the wall. Install #G on #C.

