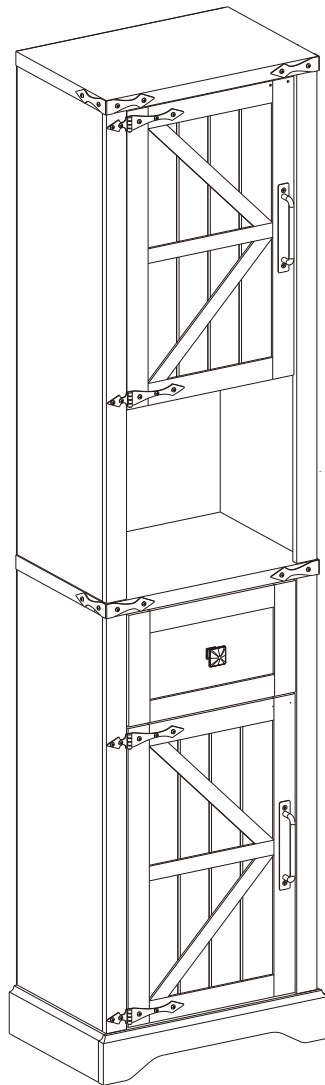

DA0166WB01A

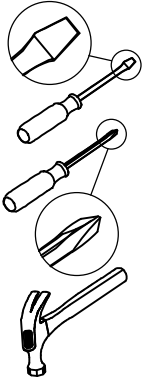


As this item contains many parts, please read the installation instruction carefully before installation . Please use tools properly and carefully. If you have any questions about the product and installation, please contact us.

hosoteservice@gmail.com

Our professional after-sales team will serve you online all day.

Before You Start



- ✓ Read through each step carefully and follow the proper order
- ✓ Separate and count all your parts and hardware
- ✓ Give yourself enough room for the assembly process
- ✓ Have the following tools: Flat Head Screwdriver, #2 Phillips Head Screwdriver and Hammer
- ✓ Caution: If using a power drill or power screwdriver for screwing, please be aware of to slow down and stop when screw is tight. Failure to do so may result in stripping the screw. (Assembly speed can be increased by using electric screwdriver)

Helpful Hints

PEOPLE NEEDED FOR ASSEMBLY: 1-2

- Open your item in the area you plan to keep it to avoid excessive heavy lifting.



- Identify, sort and count the parts before attempting assembly.

- Compression dowels are lightly tapped in with a hammer.



- Slides are labeled with an **R** (right) and **L** (left) for proper placement.



- Make sure to always face the point on the top of the Cam Lock towards the outer edge.

- If there is a back panel in the package, please install it to make sure your unit is complete and sturdy.



- Please fix all the screws provided for the back panel which can enhance product stability. If it is difficult to fix it when tightening, it can be fixed with the help of a hammer and then tightened.



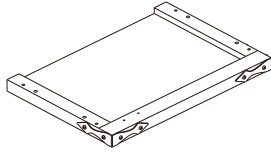
- Do NOT use harsh chemicals or abrasive cleaners on this item.



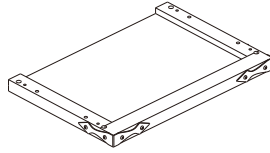
- Never push, pull, or drag your furniture.

Board Identification

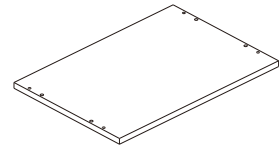
Not actual size



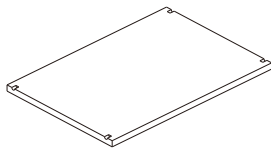
① x1



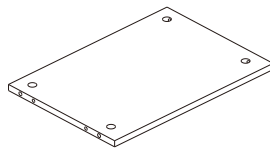
② x1



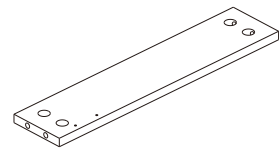
③ x1



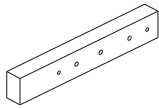
④ x2



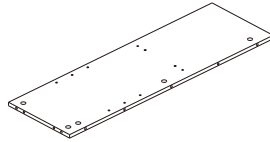
⑤ x1



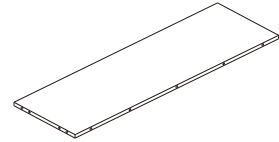
⑥ x1



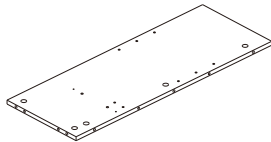
⑦ x2



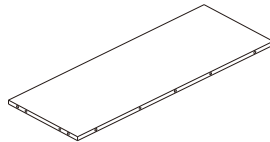
⑧ x1



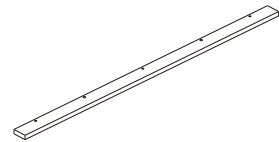
⑨ x1



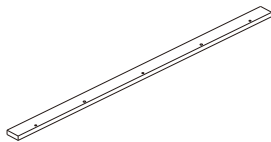
⑩ x1



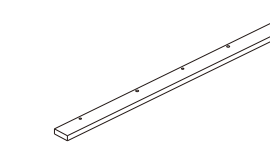
⑪ x1



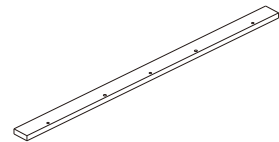
⑫ x1



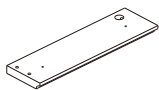
⑬ x1



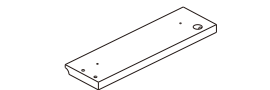
⑭ x1



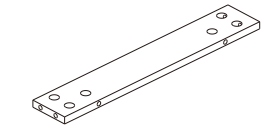
⑮ x1



⑯ x1



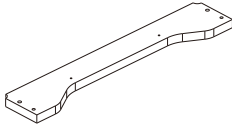
⑰ x1



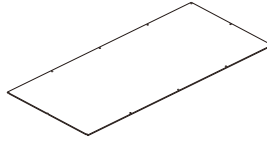
⑱ x1

Board Identification

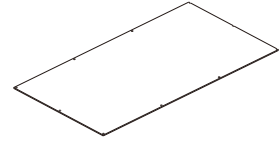
Not actual size



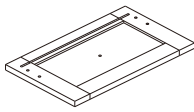
⑲ x1



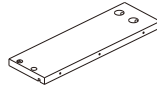
⑳ x1



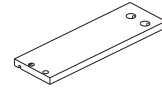
㉑ x1



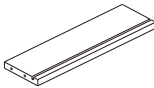
㉒ x1



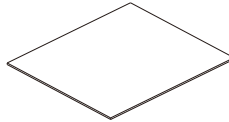
㉓ x1



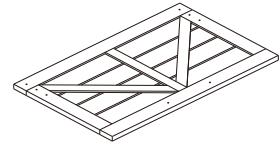
㉔ x1



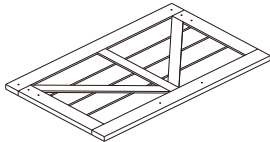
㉕ x1



㉖ x1

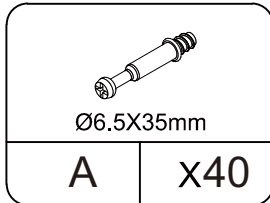


㉗ x1

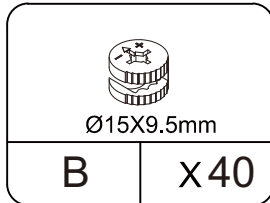


㉘ x1

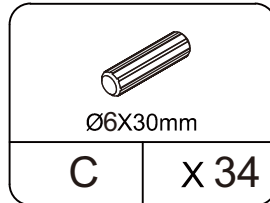
Part List



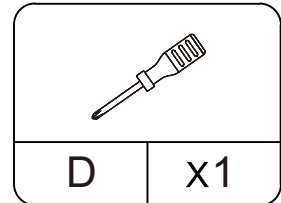
CAM BOLT
spare: 1



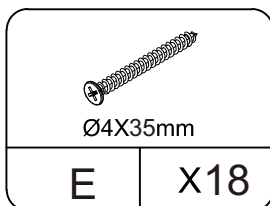
CAM LOCK
spare: 1



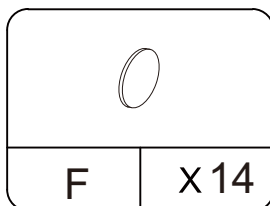
WOOD DOWEL
spare: 2



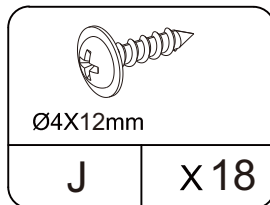
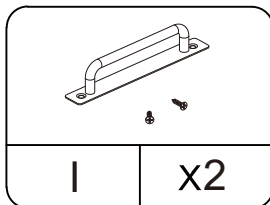
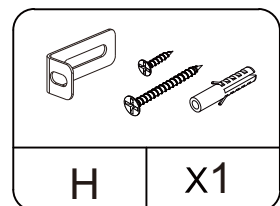
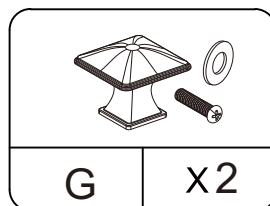
CROSS SCREWDRIVER



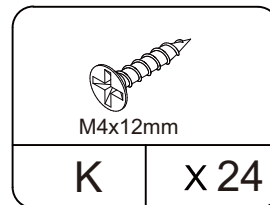
SCREW
spare: 1



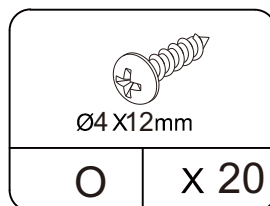
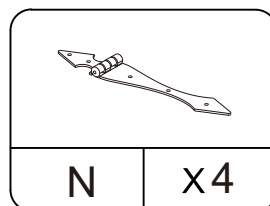
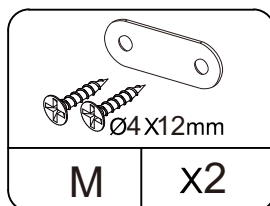
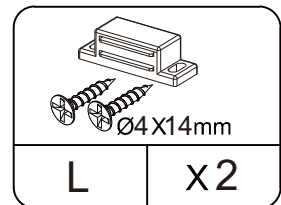
SCREW
spare: 1



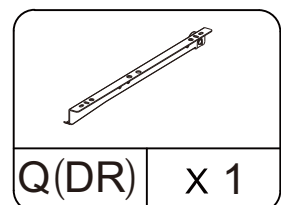
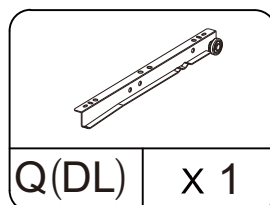
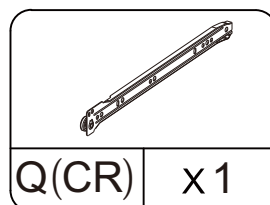
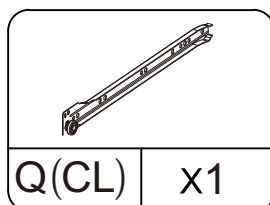
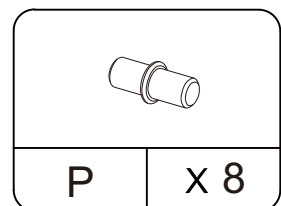
SCREW
spare: 1



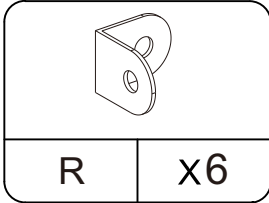
SCREW
spare: 1



SCREW
spare: 1

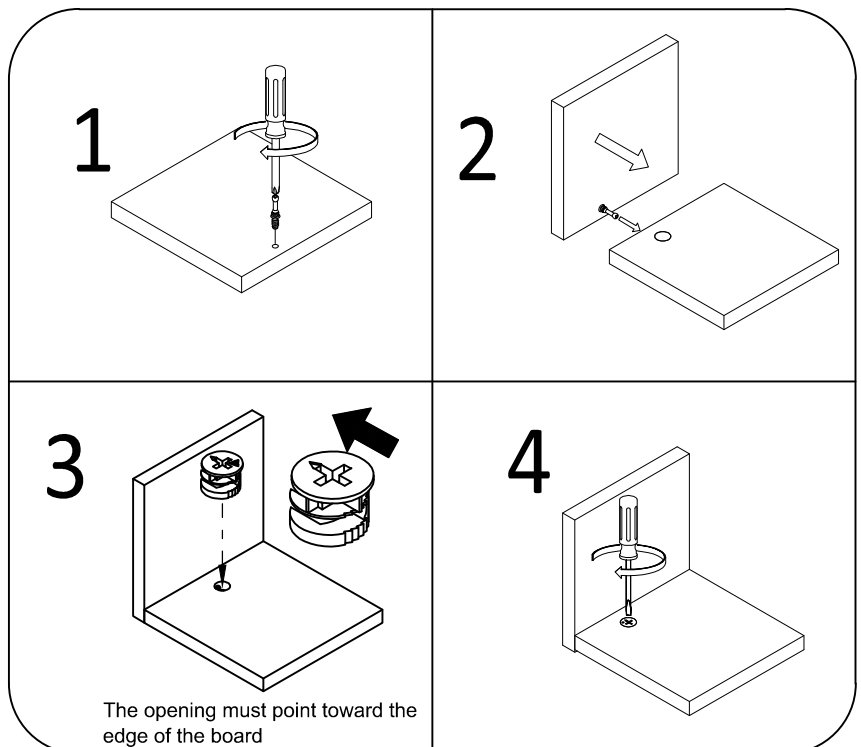


Part List



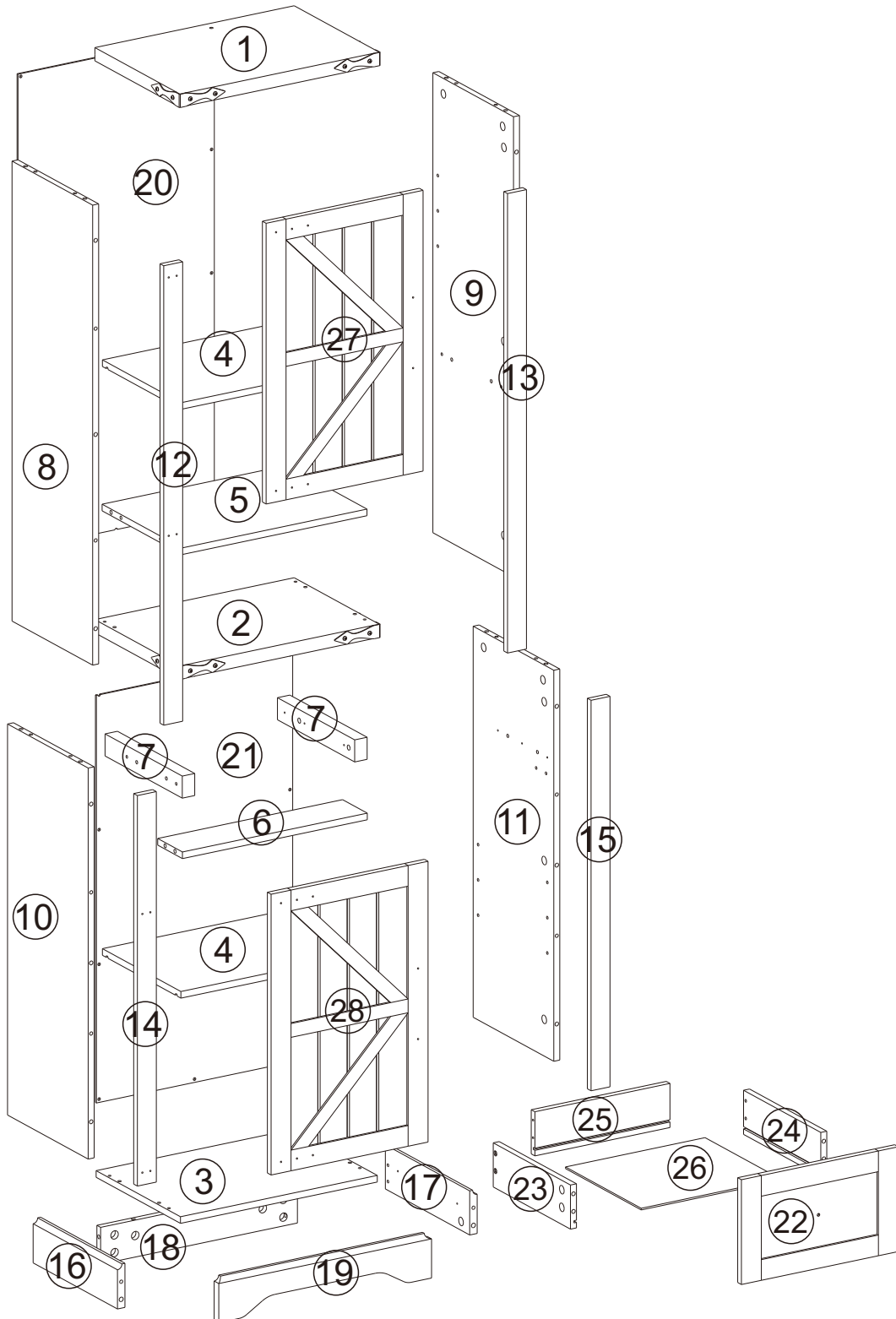
Cam Lock Fastening System

Insert the cam bolt into the hole first, then insert the cam lock and lock it.

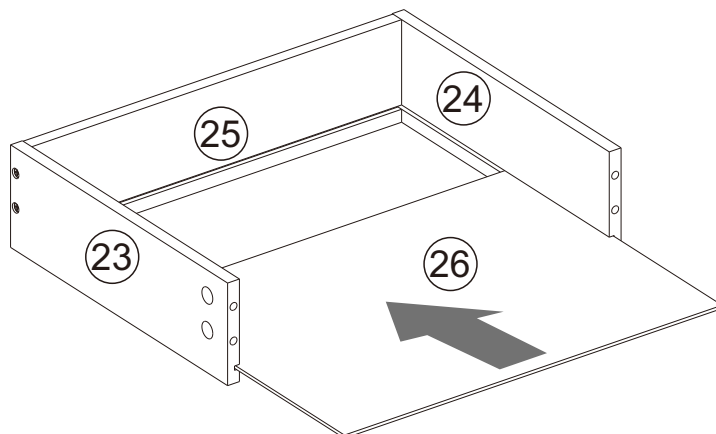
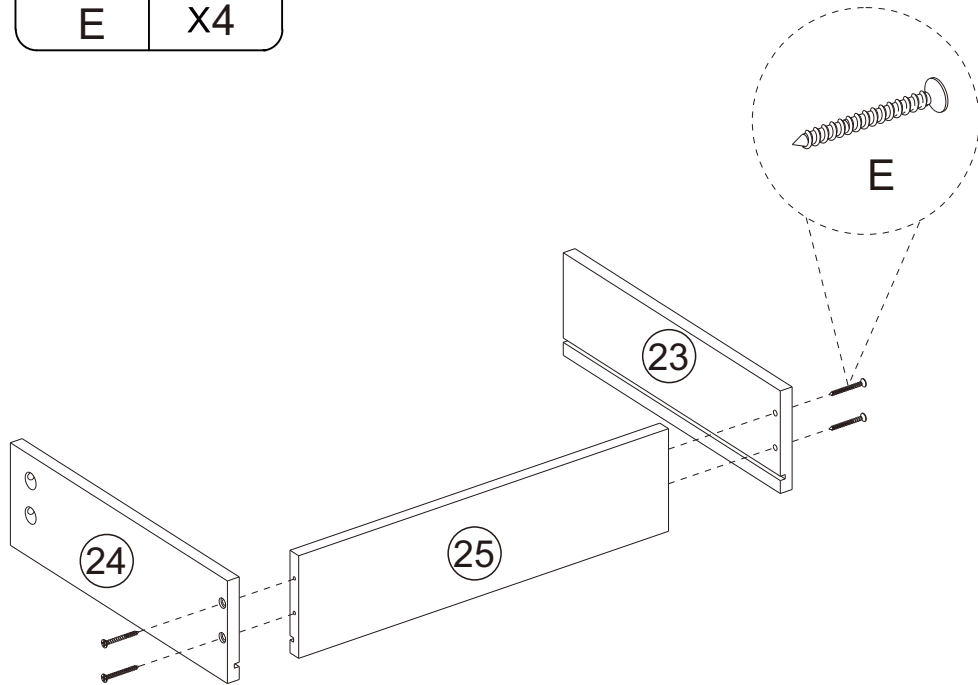
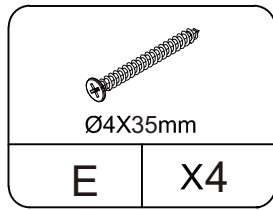
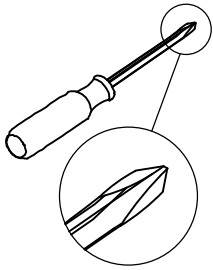


Board Identification

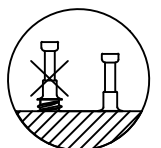
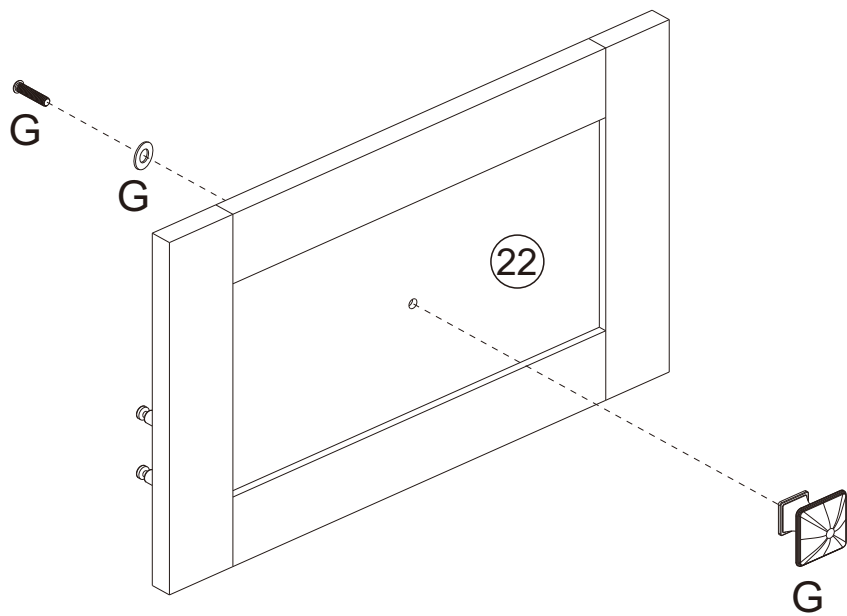
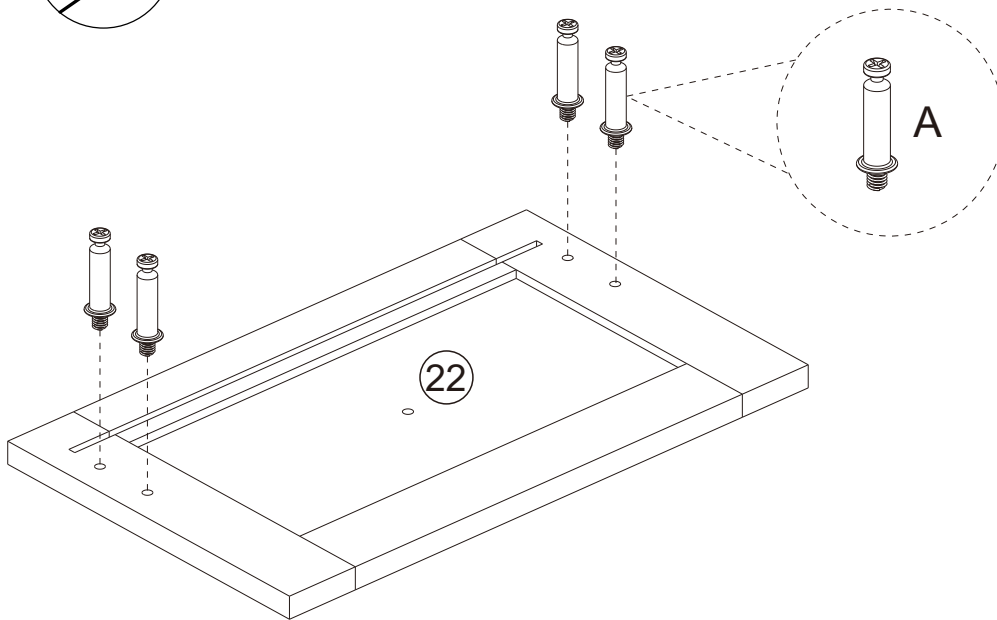
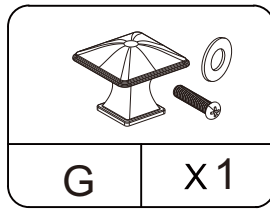
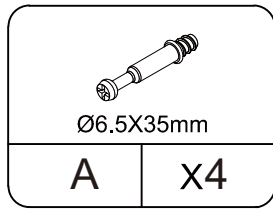
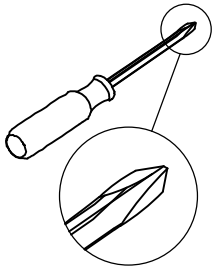
Not actual size



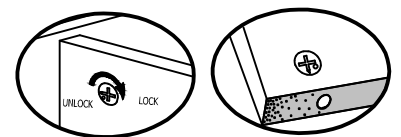
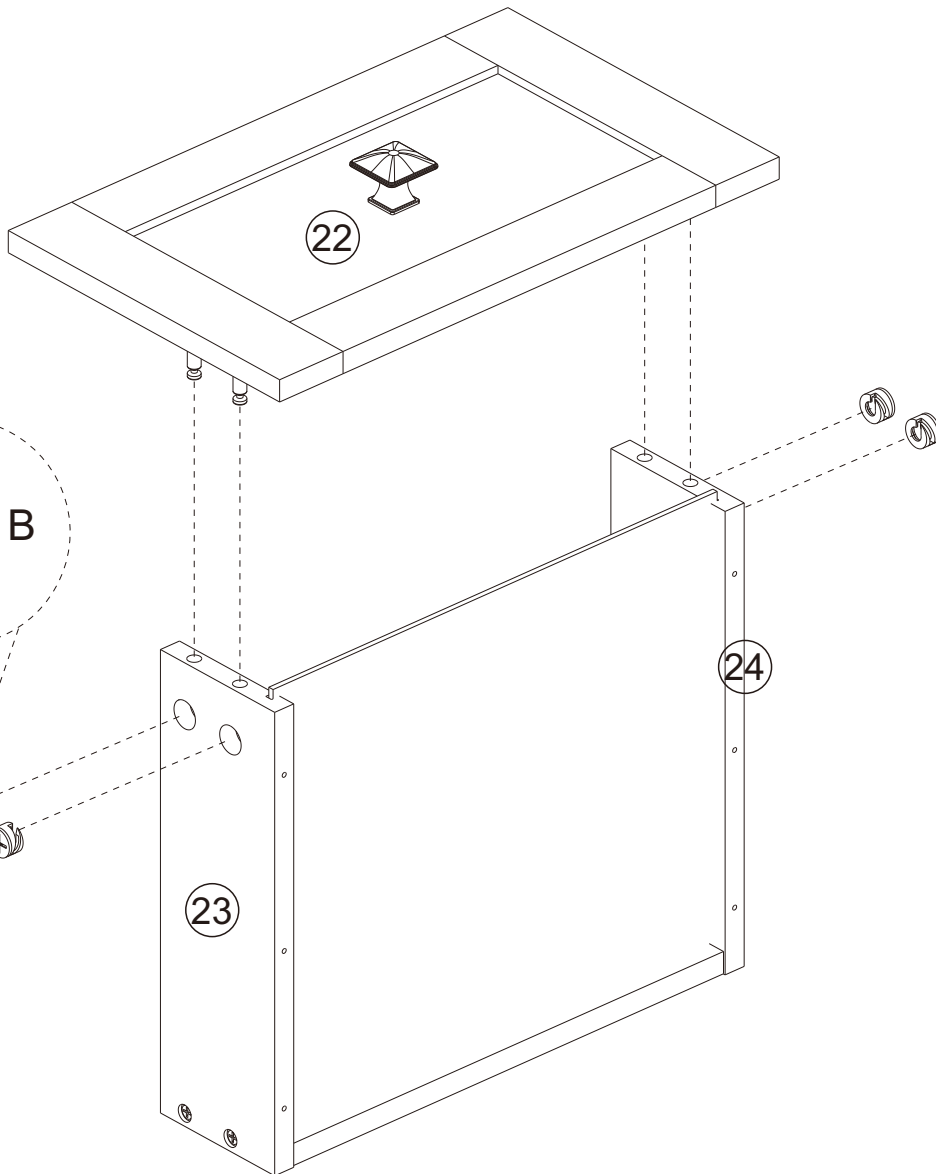
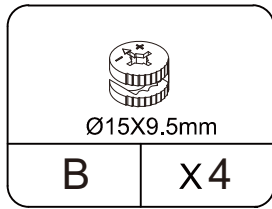
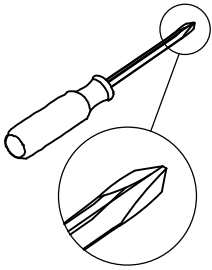
STEP 1



STEP 2

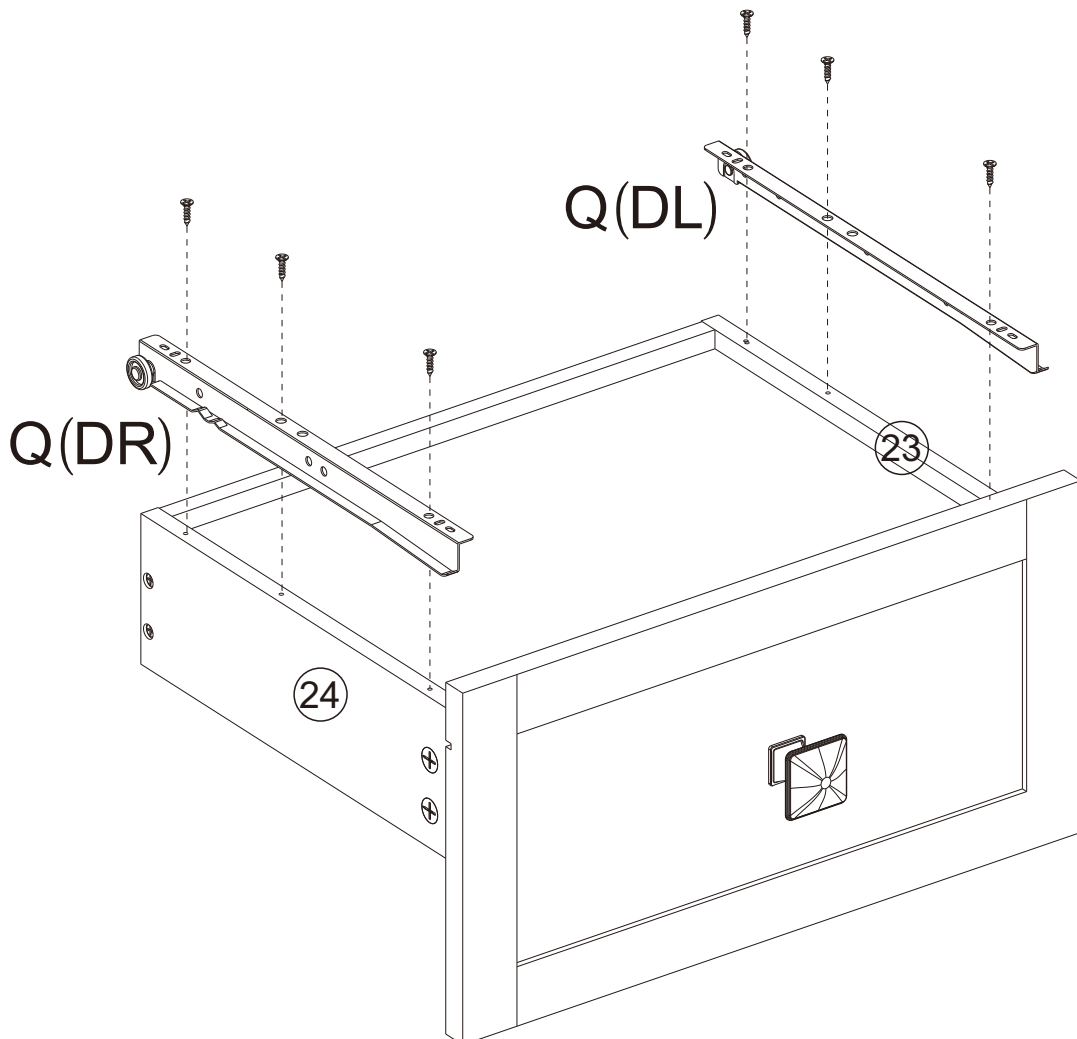
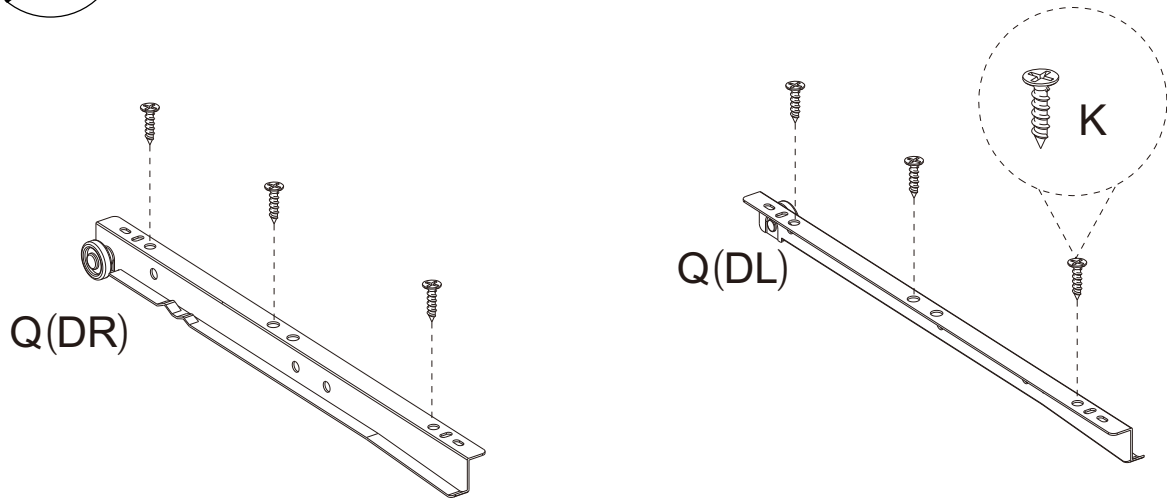
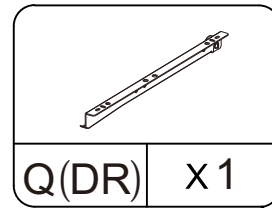
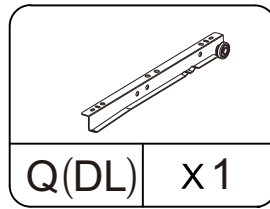
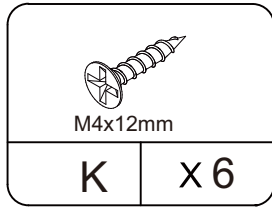
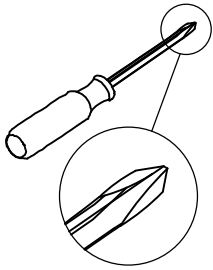


STEP 3

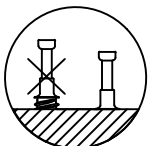
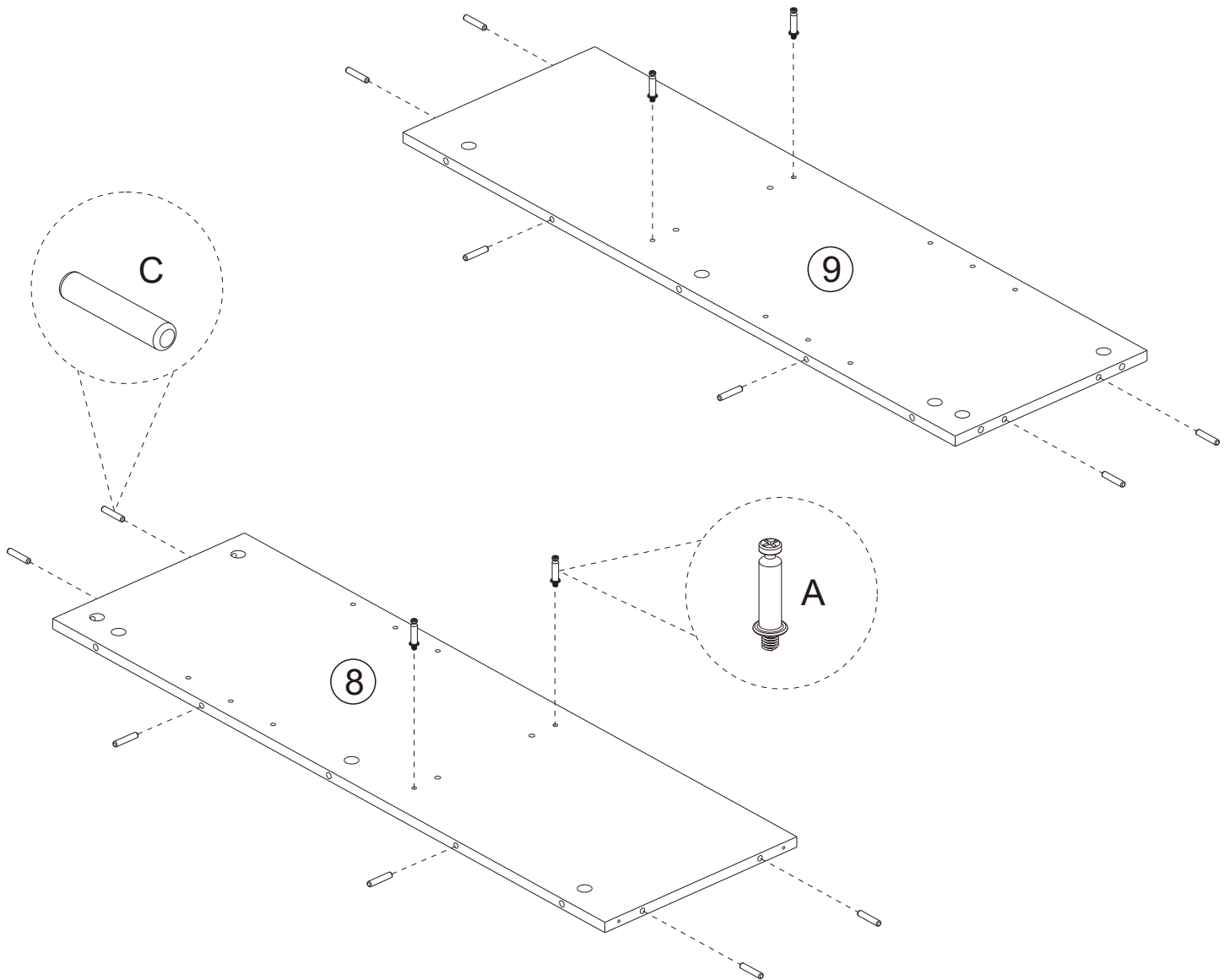
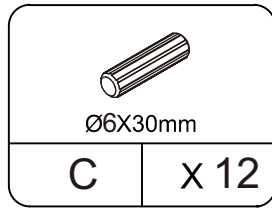
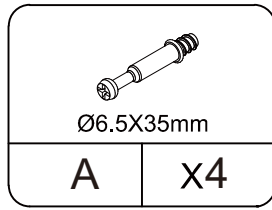
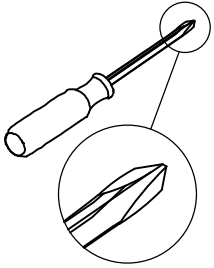


Proper orientation of CAM LOCK

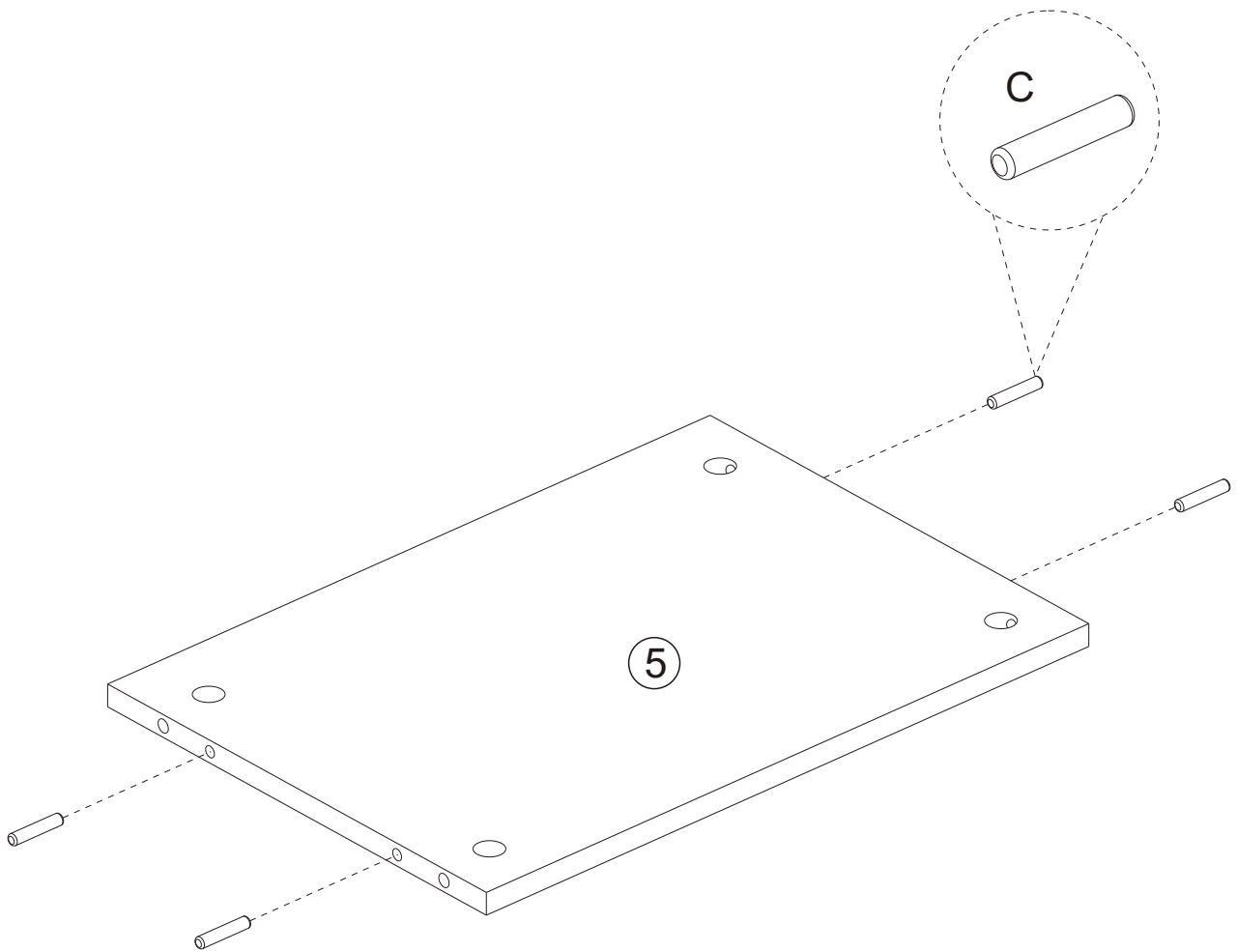
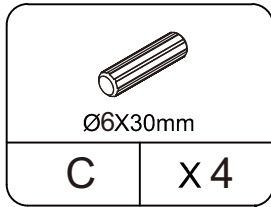
STEP 4



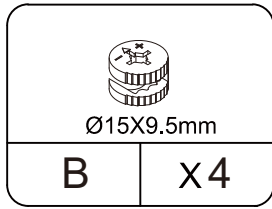
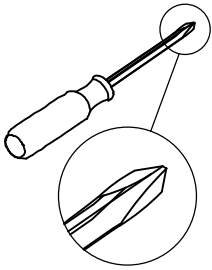
STEP 5



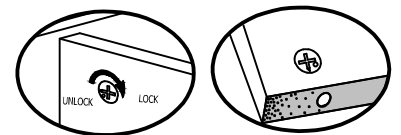
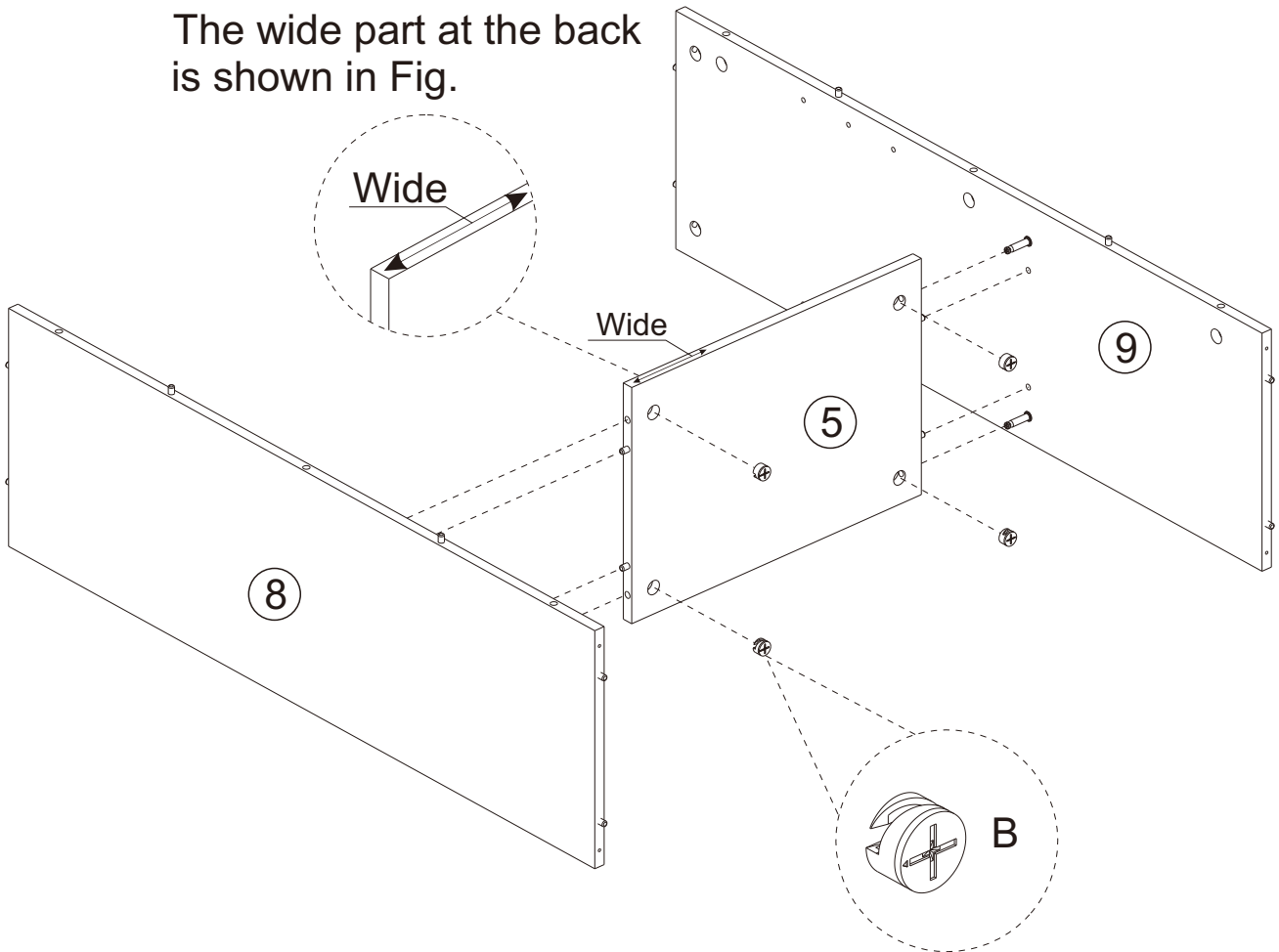
STEP 6



STEP 7

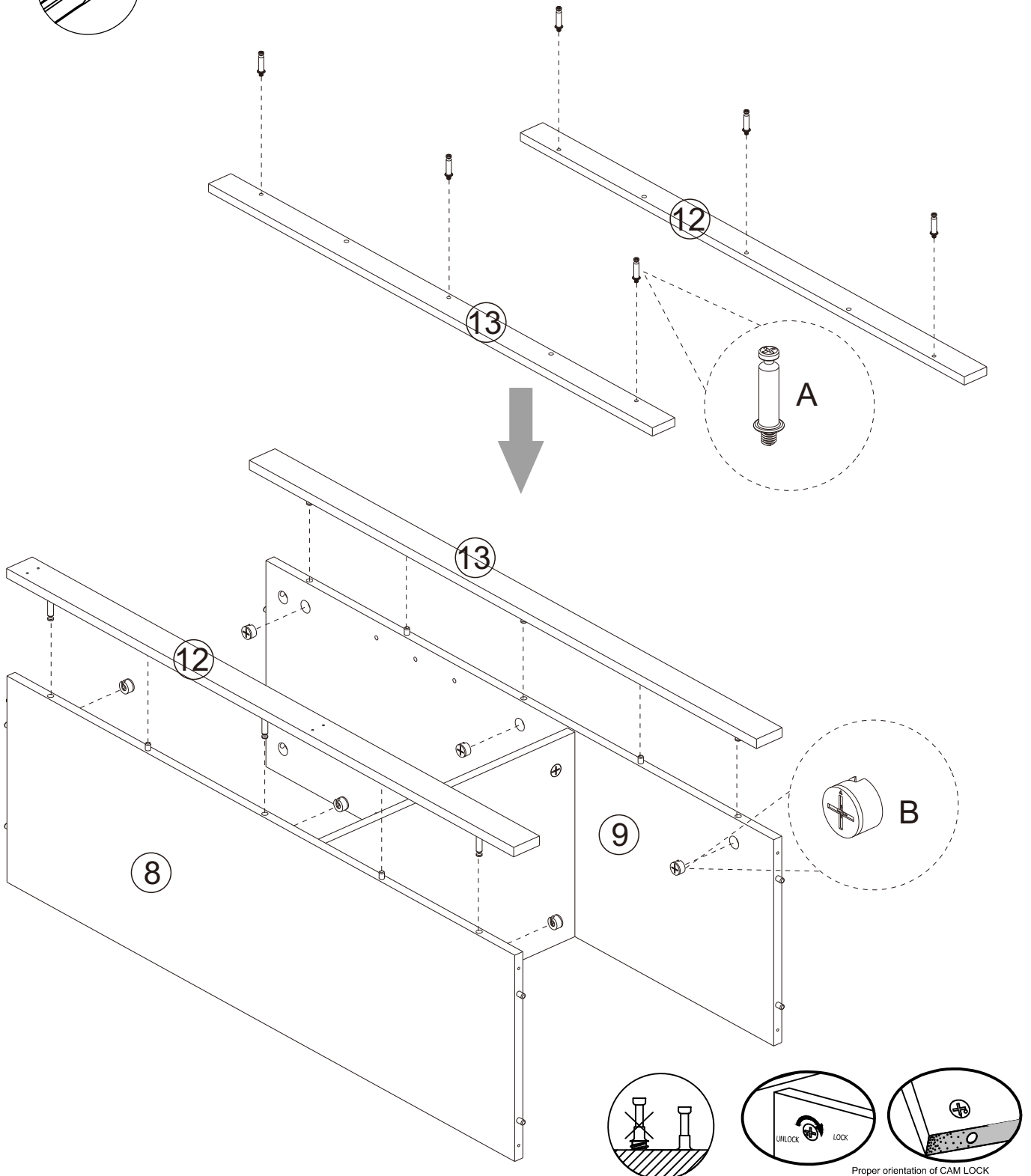
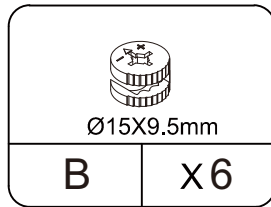
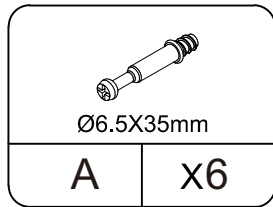
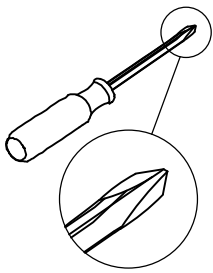


The wide part at the back is shown in Fig.



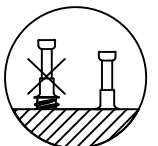
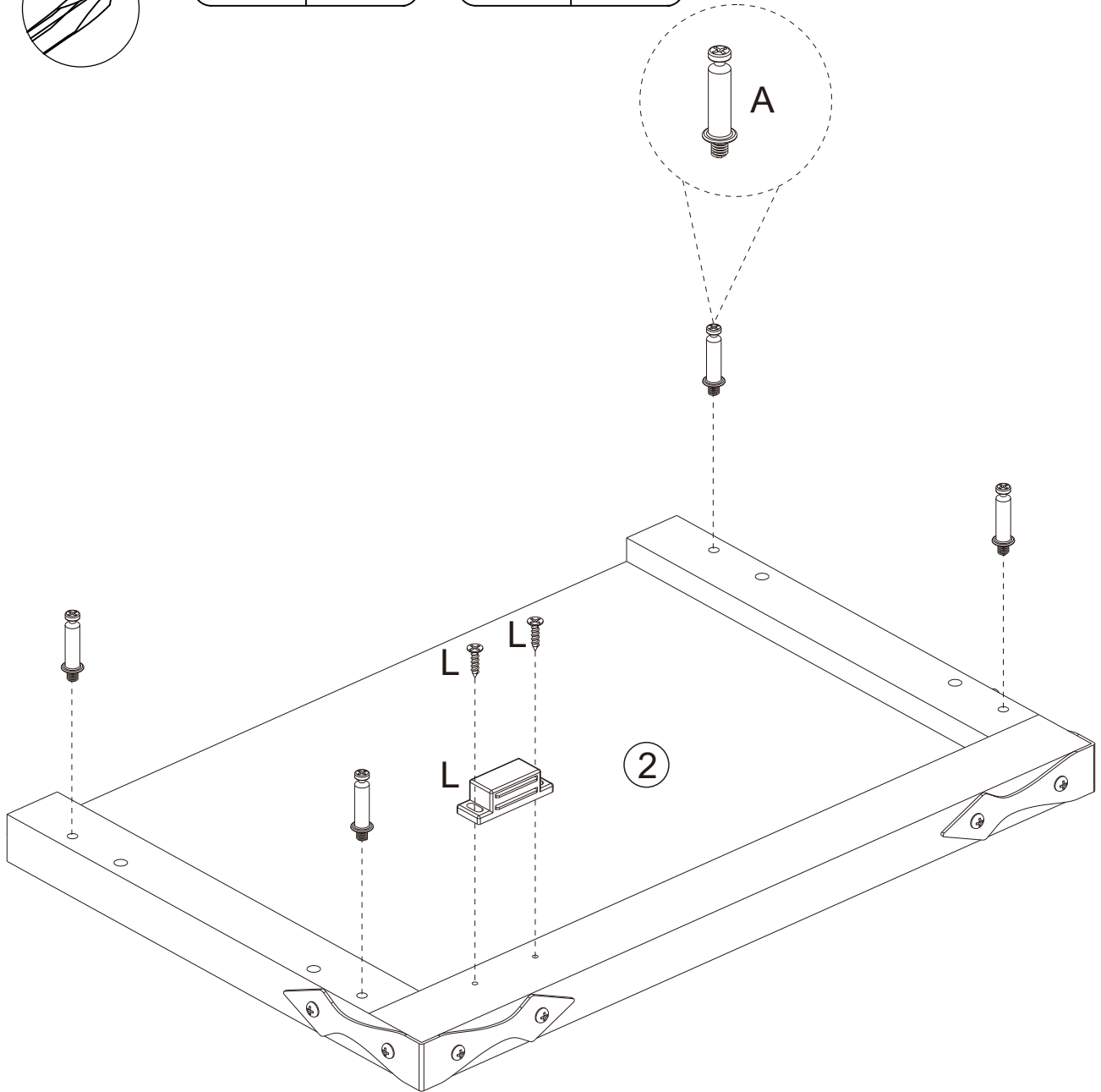
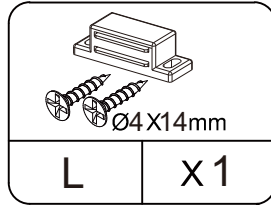
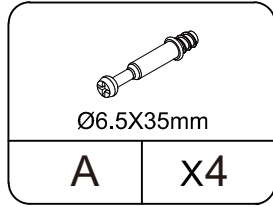
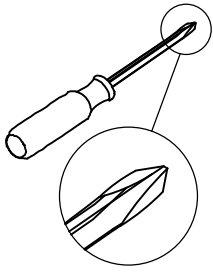
Proper orientation of CAM LOCK

STEP 8

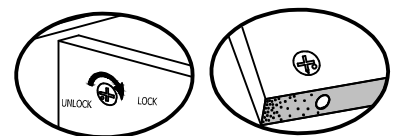
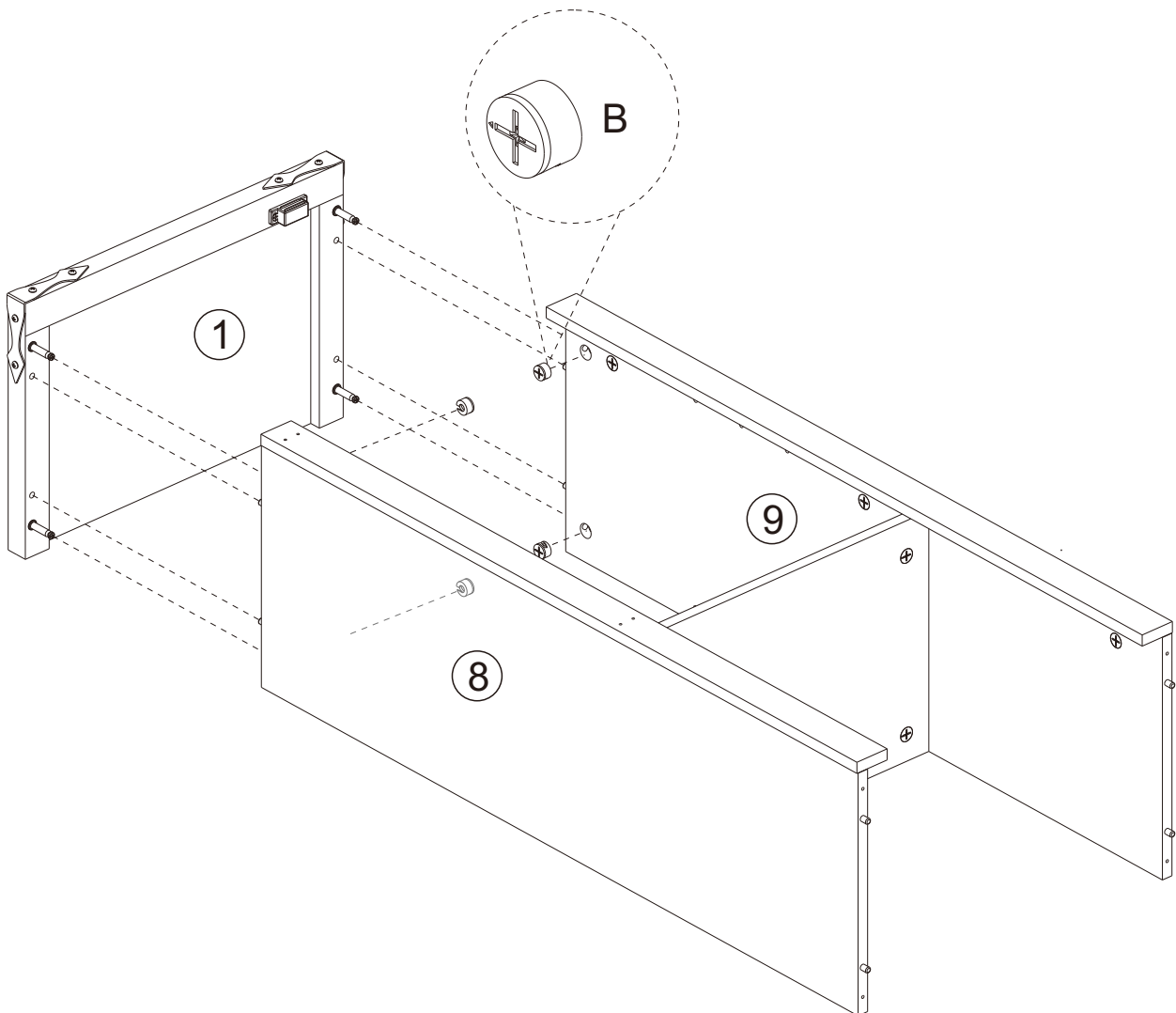
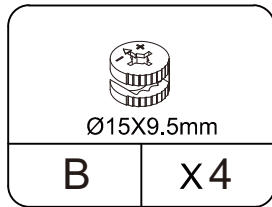
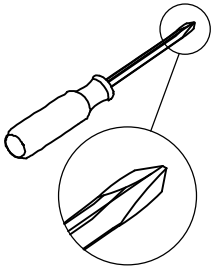


Proper orientation of CAM LOCK

STEP 9

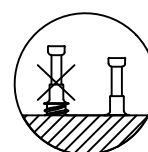
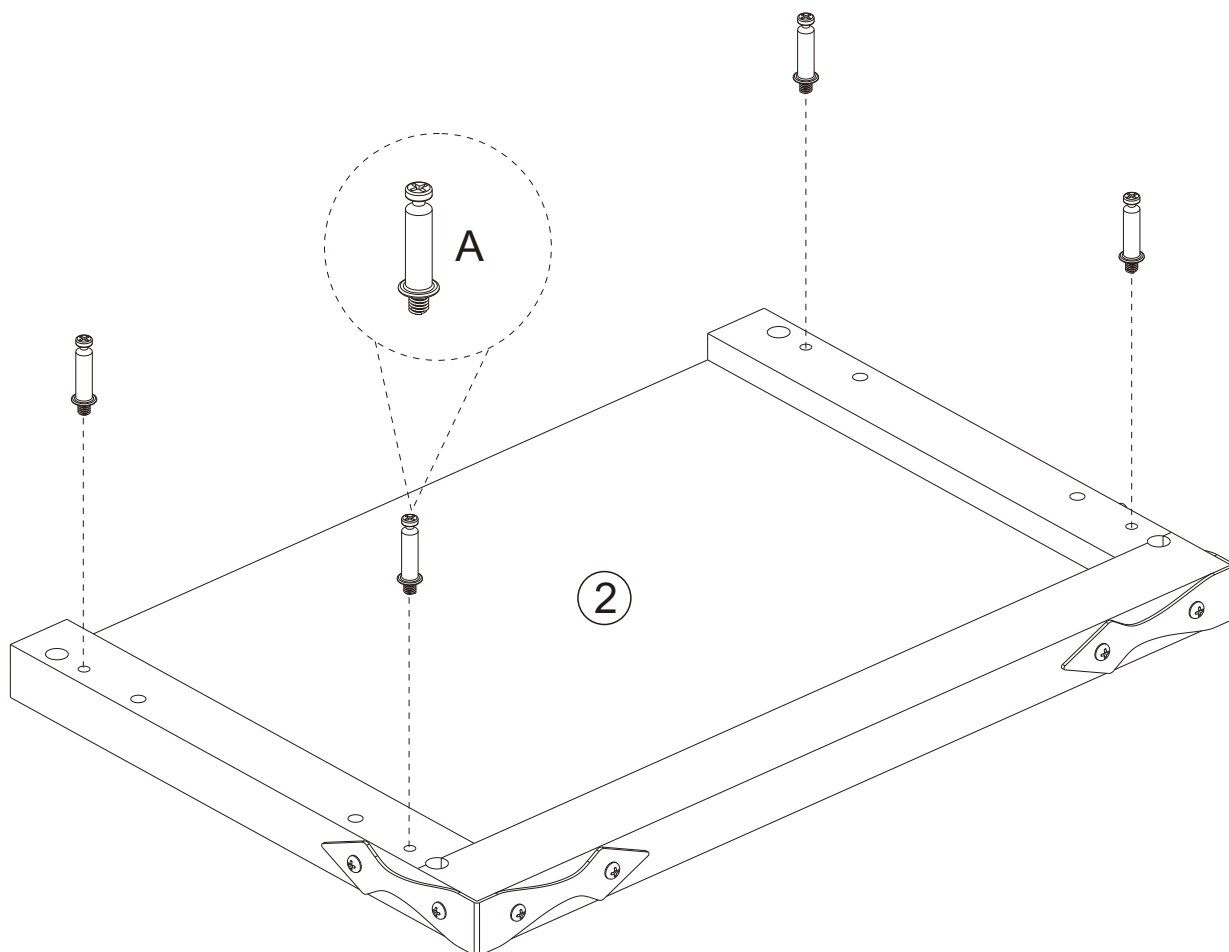
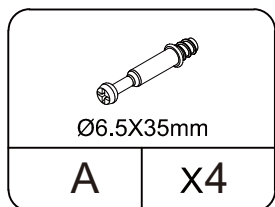
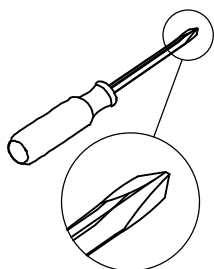


STEP10

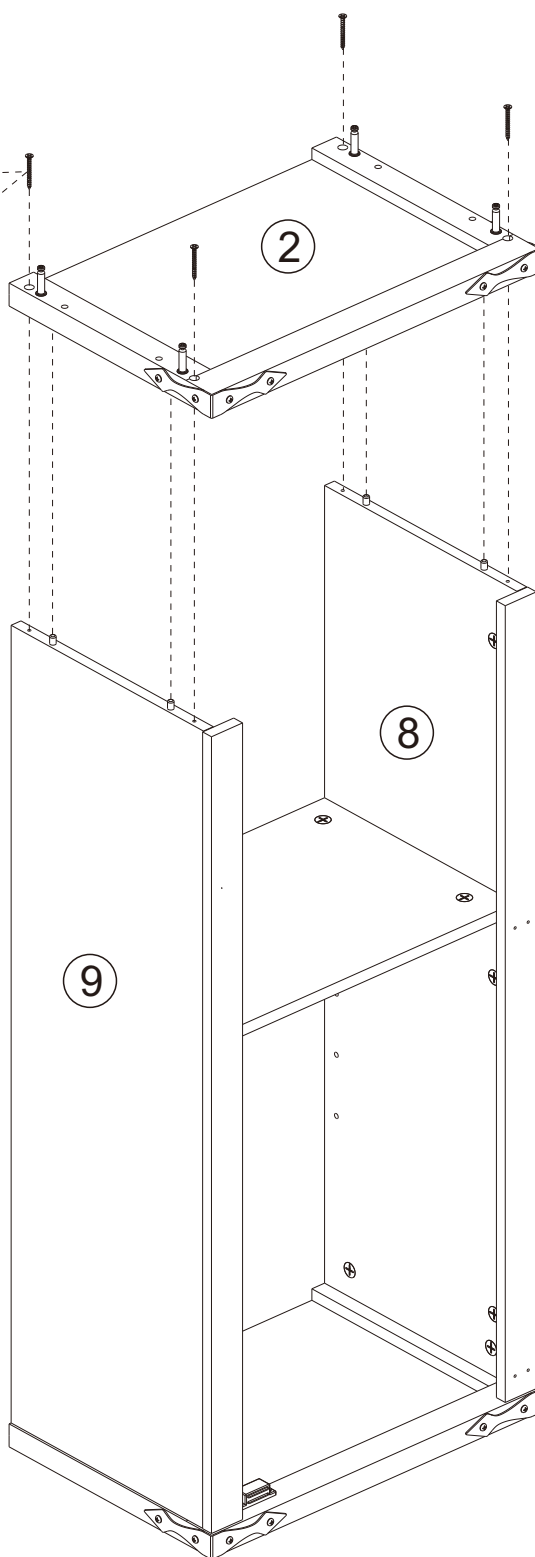
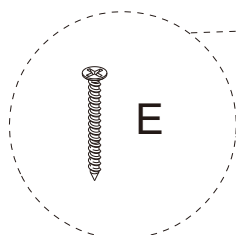
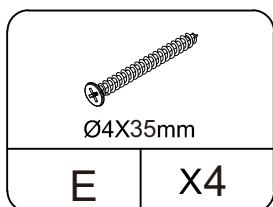
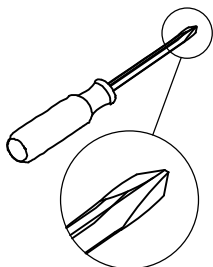


Proper orientation of CAM LOCK

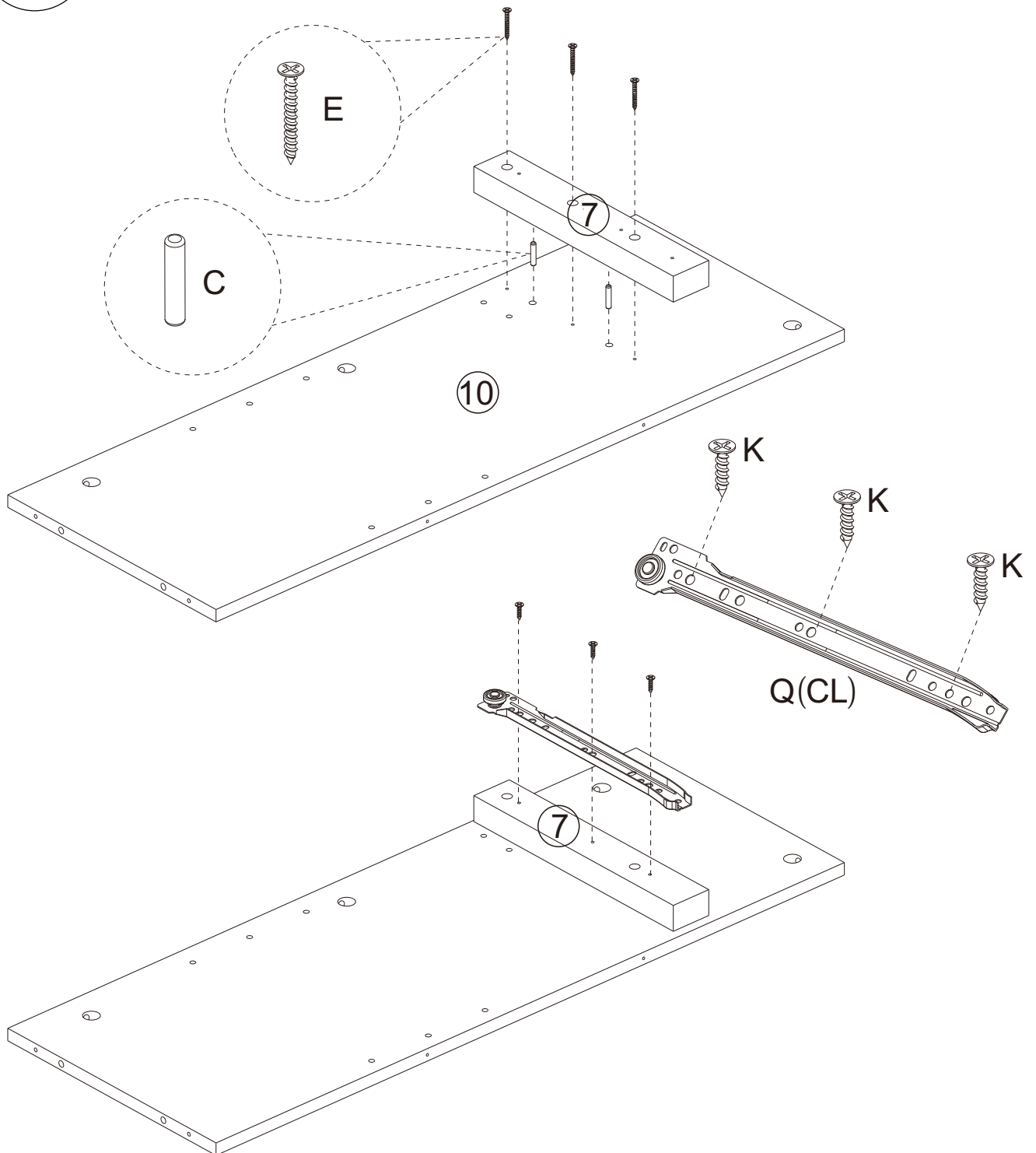
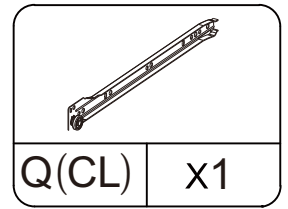
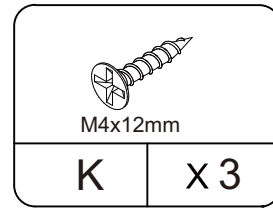
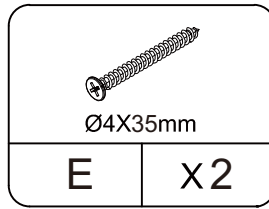
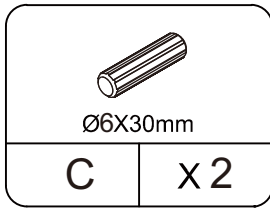
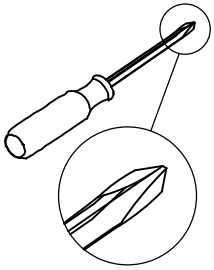
STEP 11



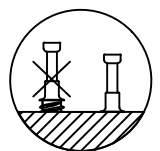
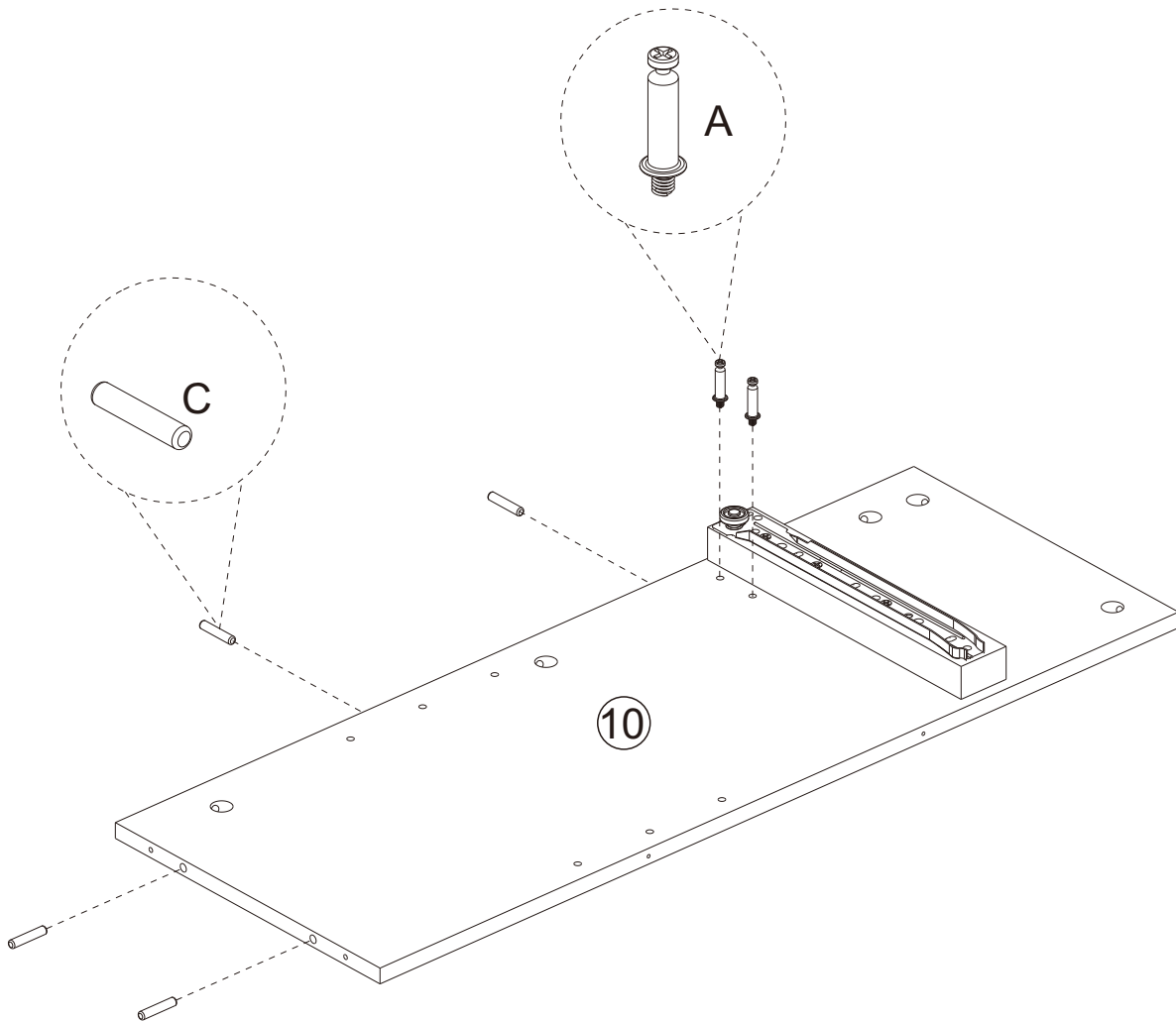
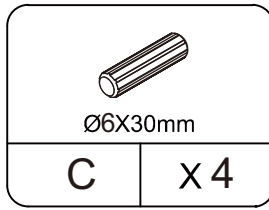
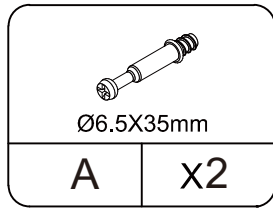
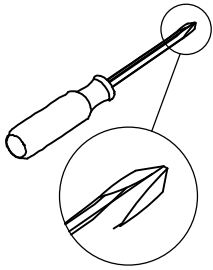
STEP12



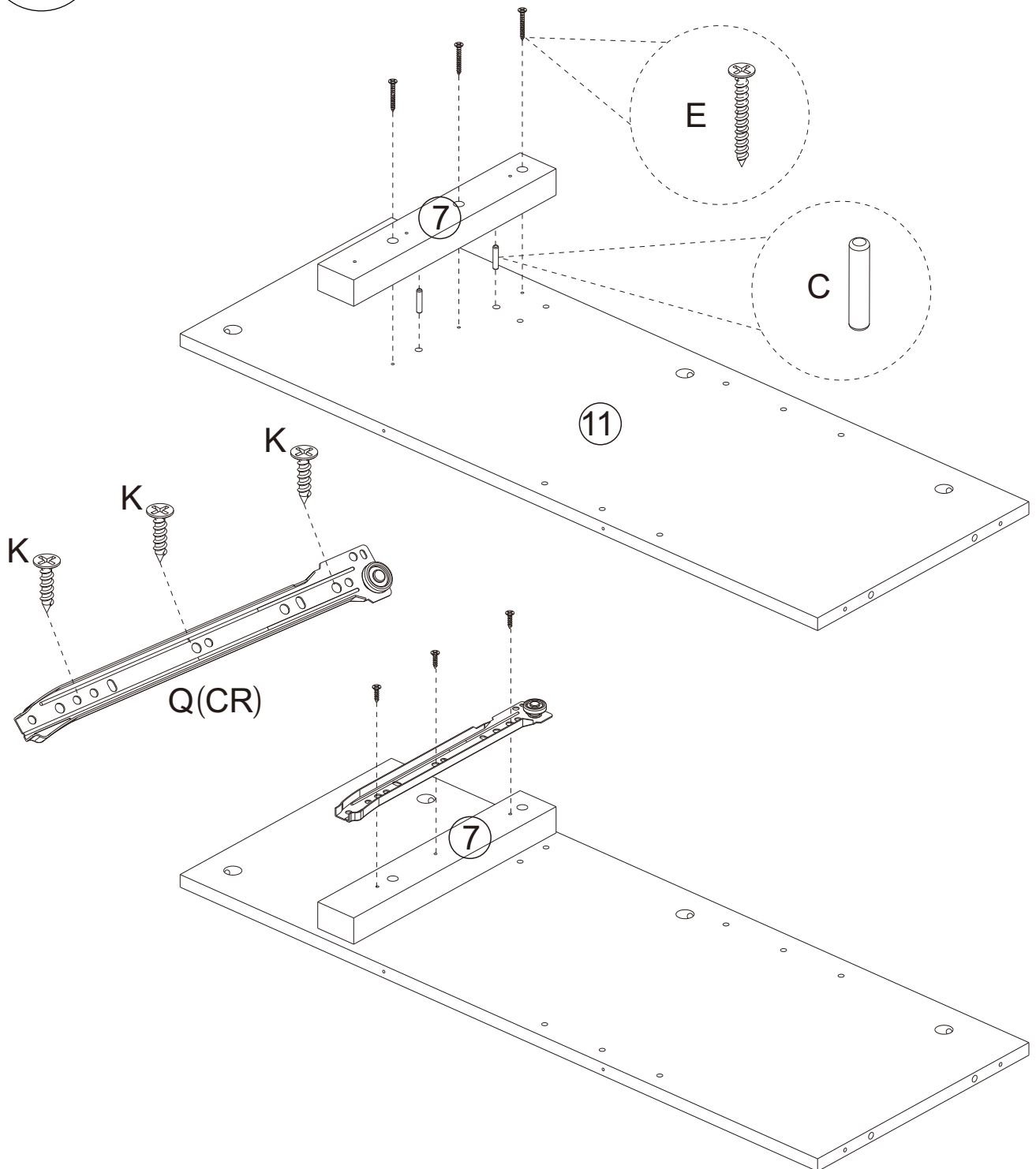
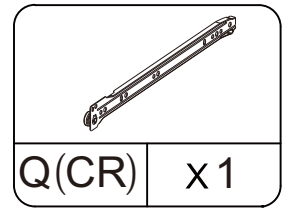
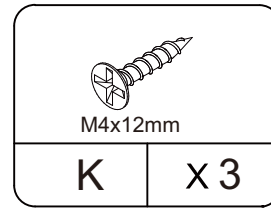
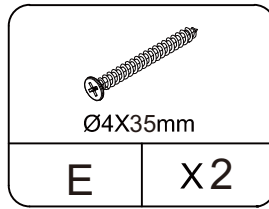
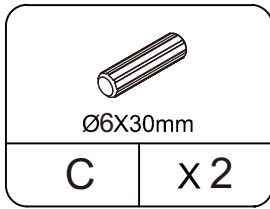
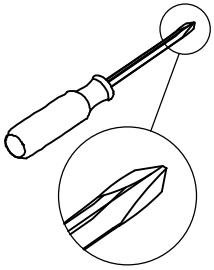
STEP 13



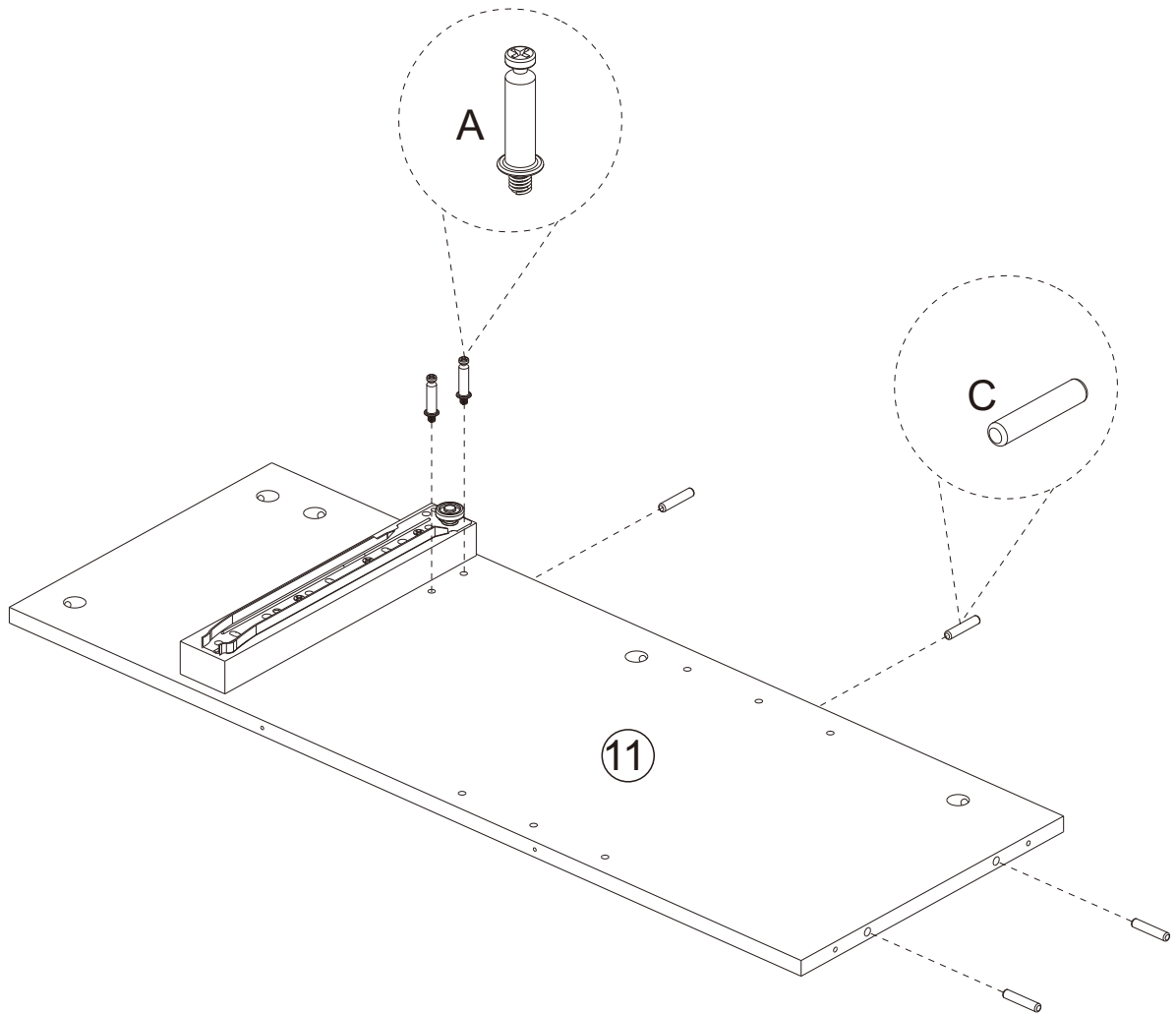
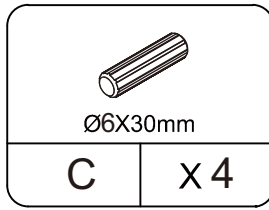
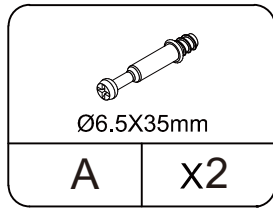
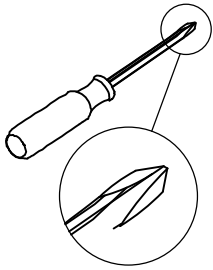
STEP14



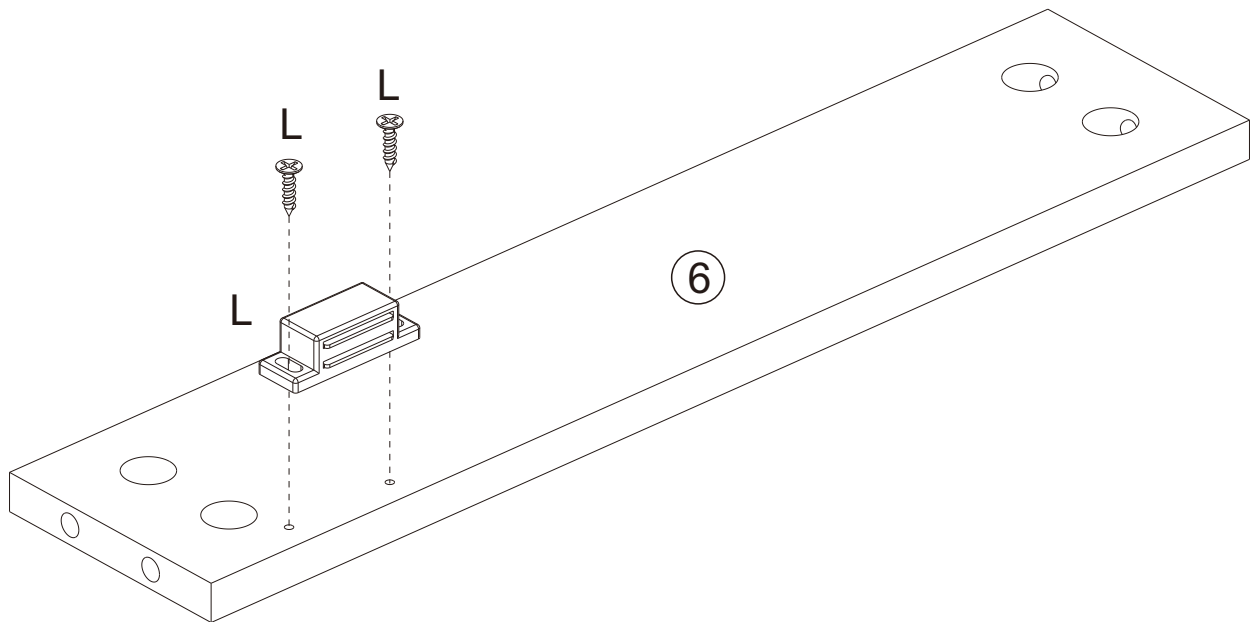
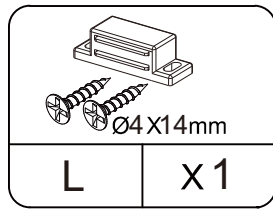
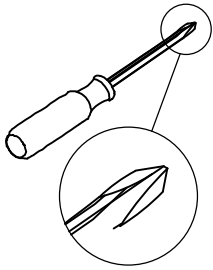
STEP15



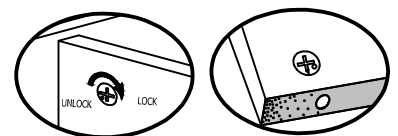
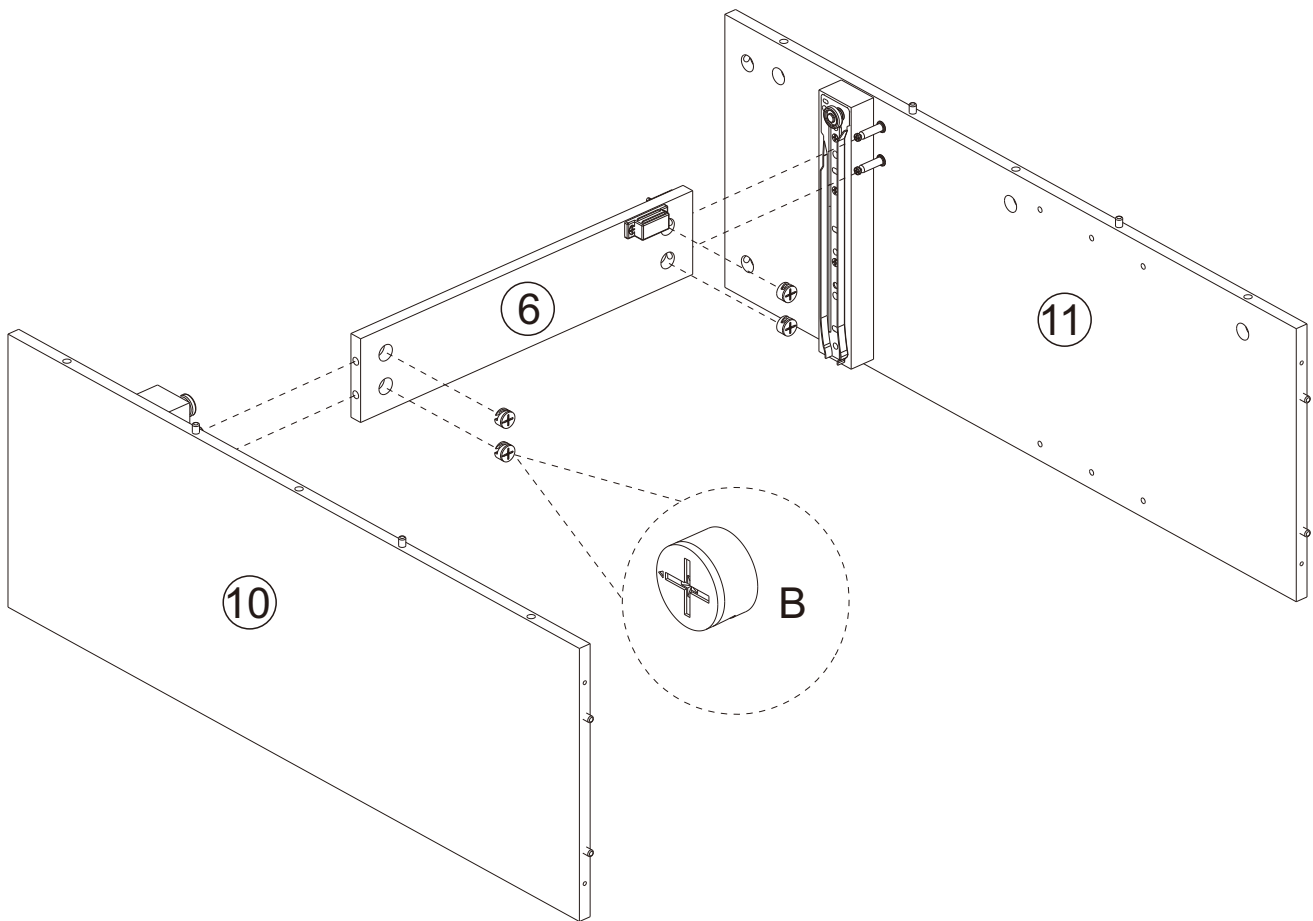
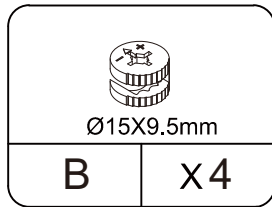
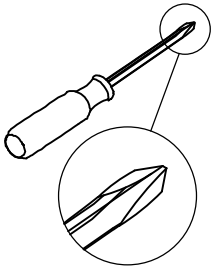
STEP16



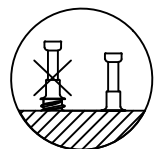
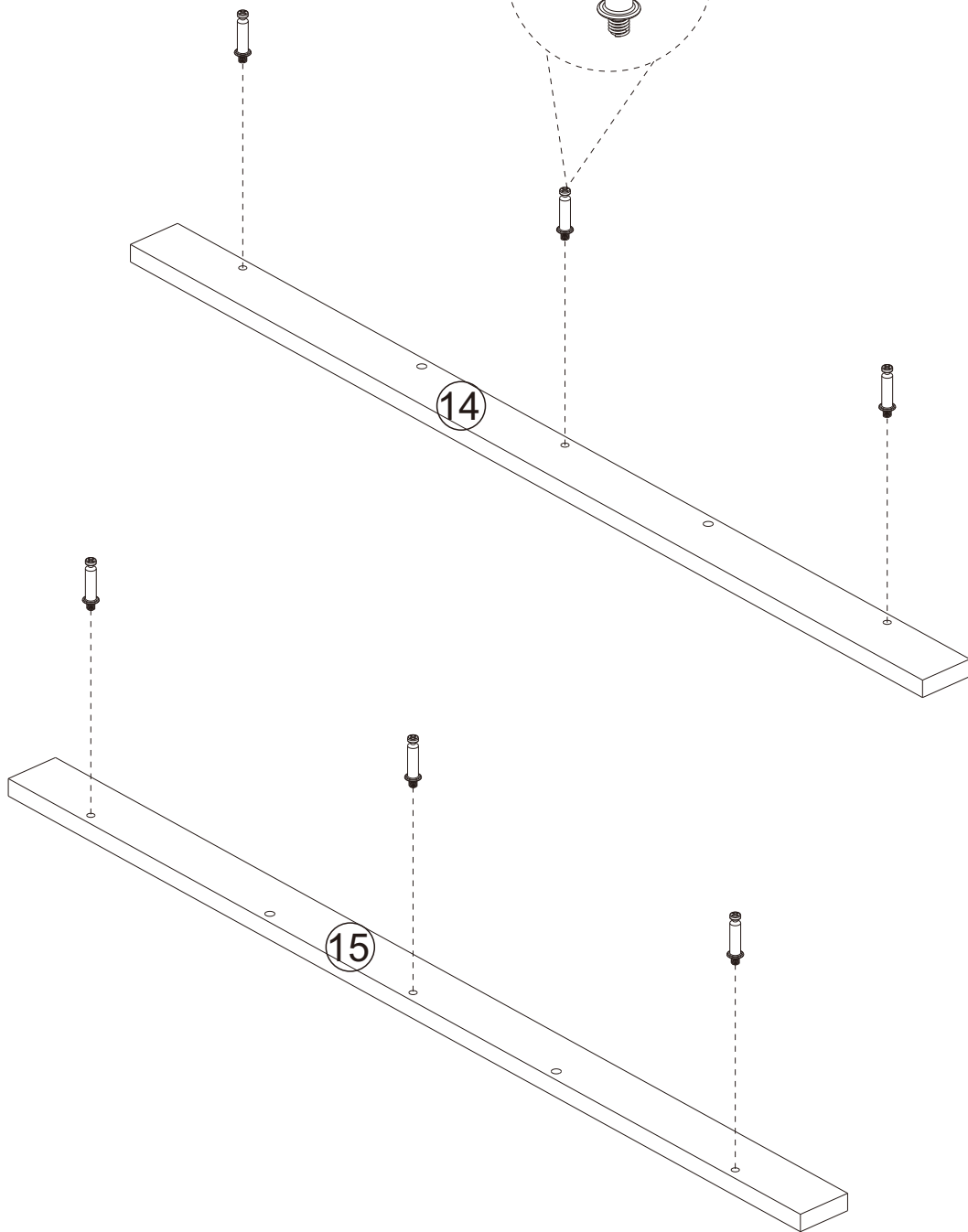
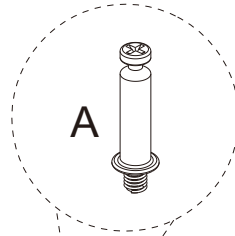
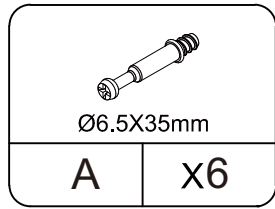
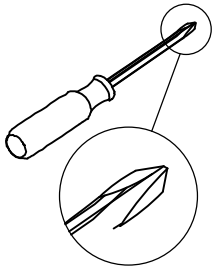
STEP17



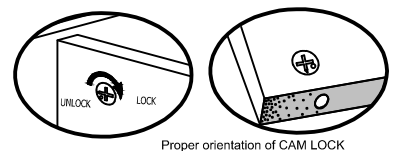
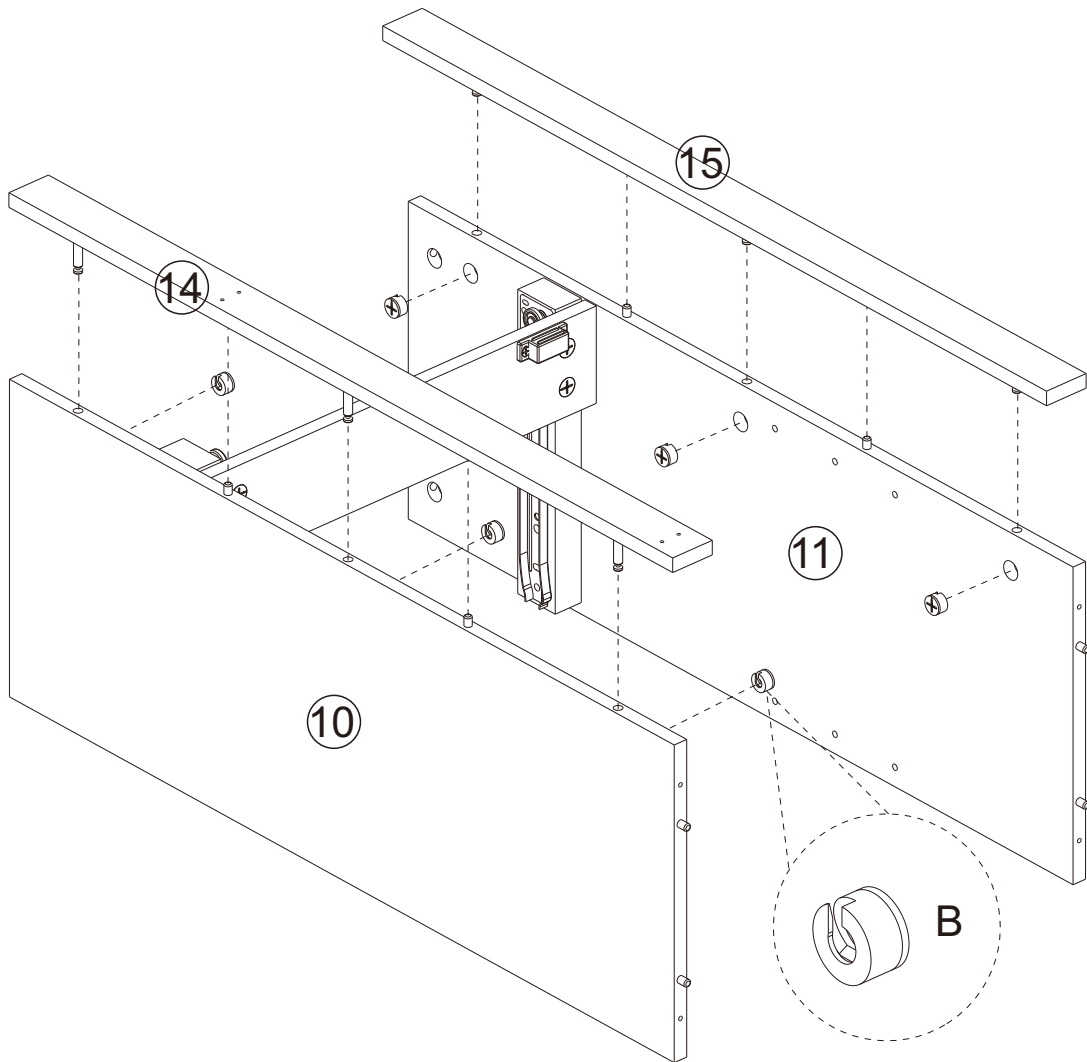
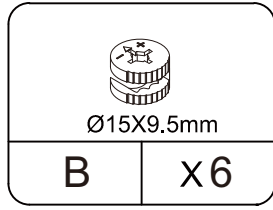
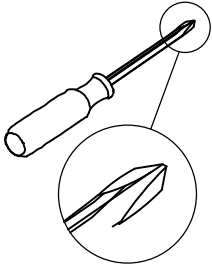
STEP18



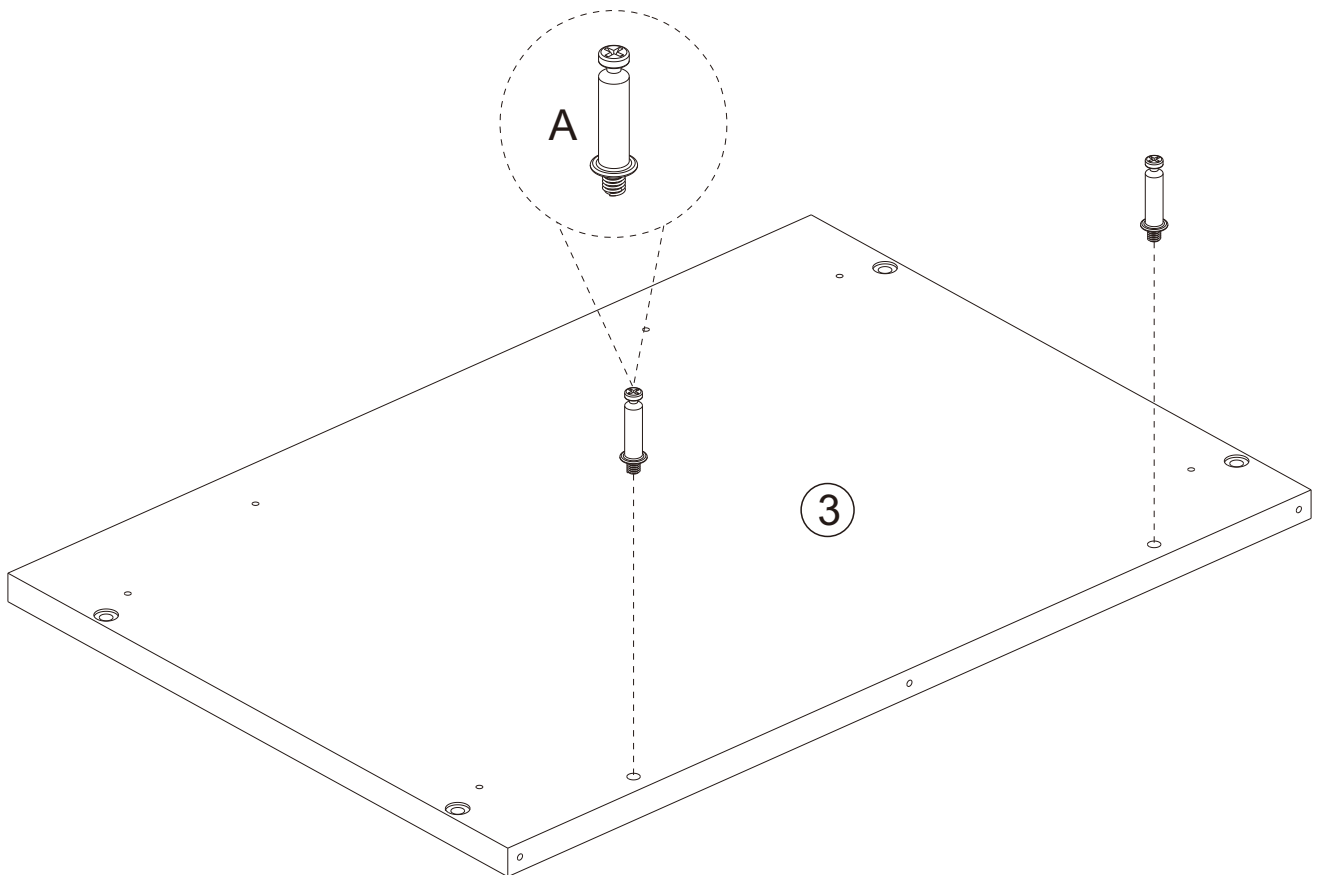
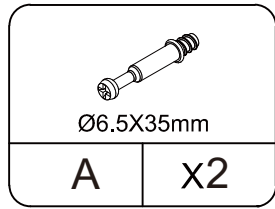
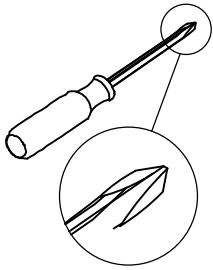
STEP19



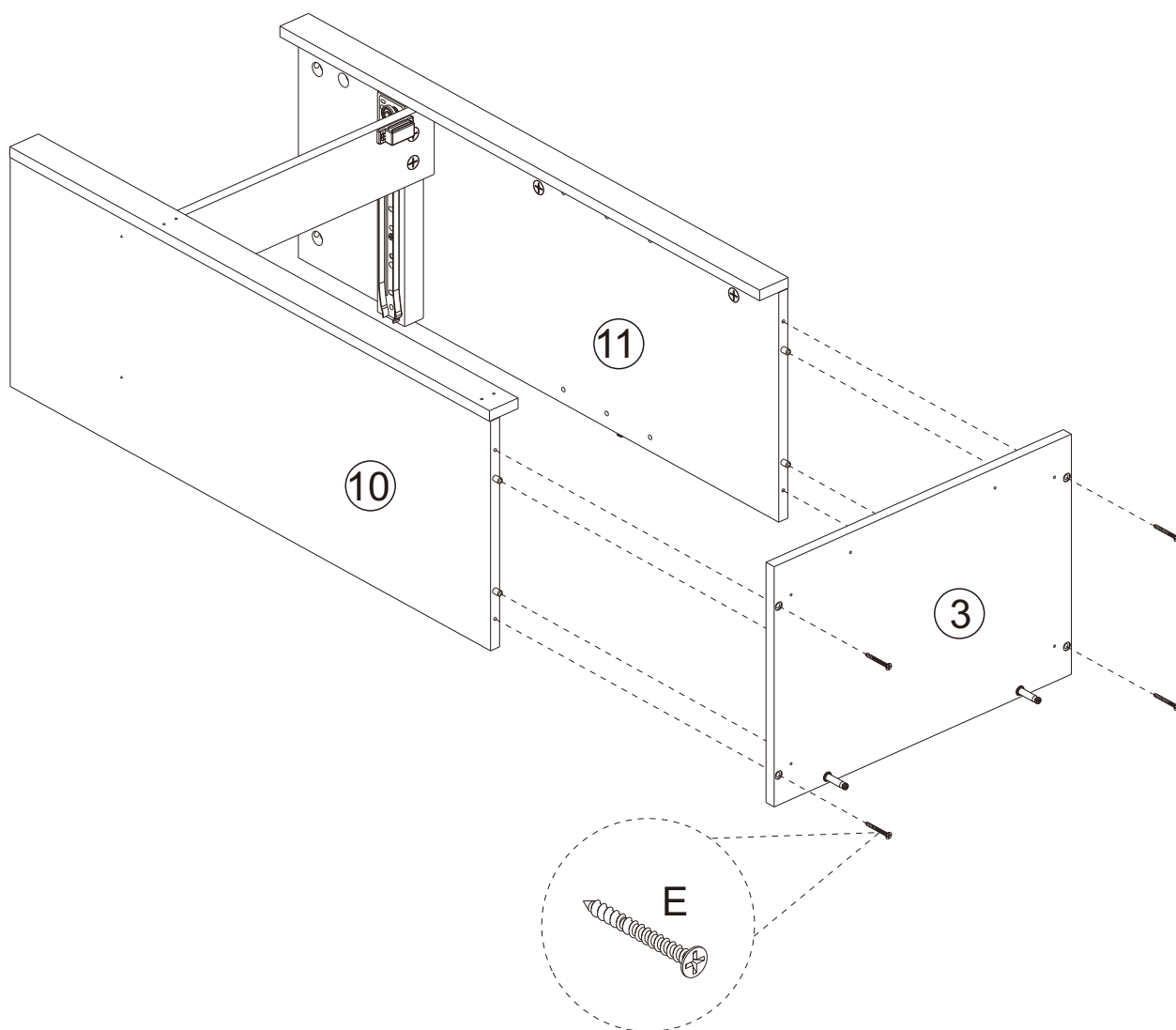
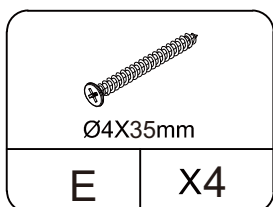
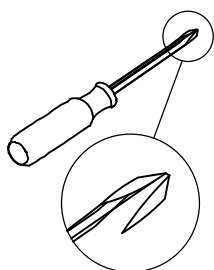
STEP20



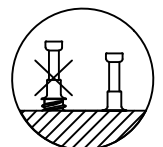
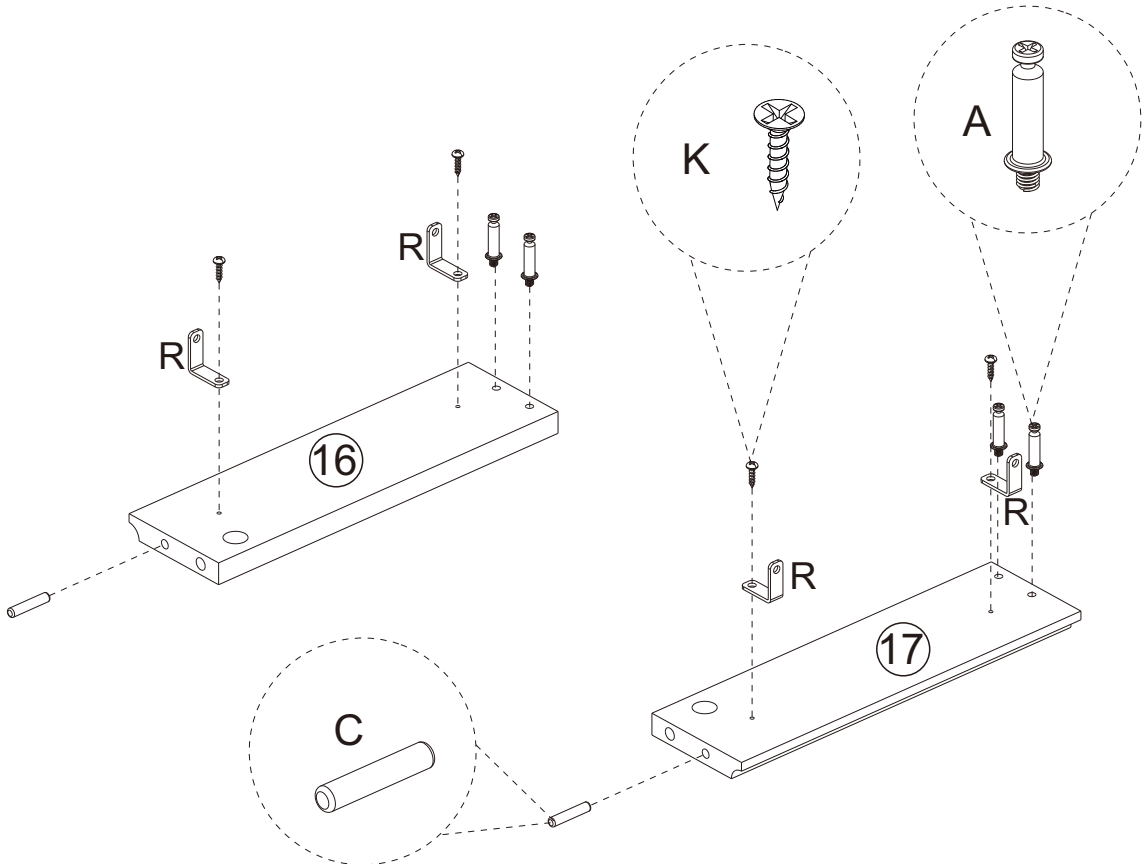
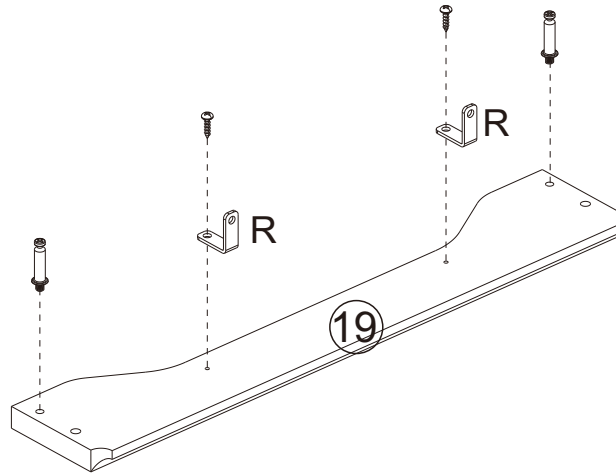
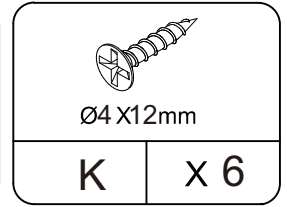
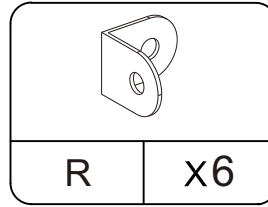
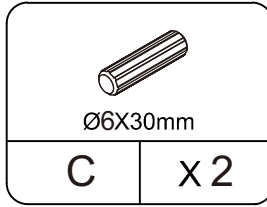
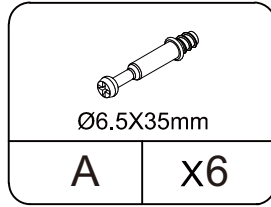
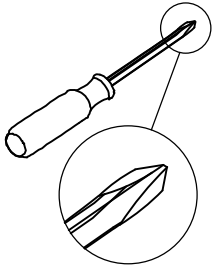
STEP 21



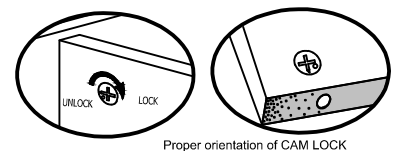
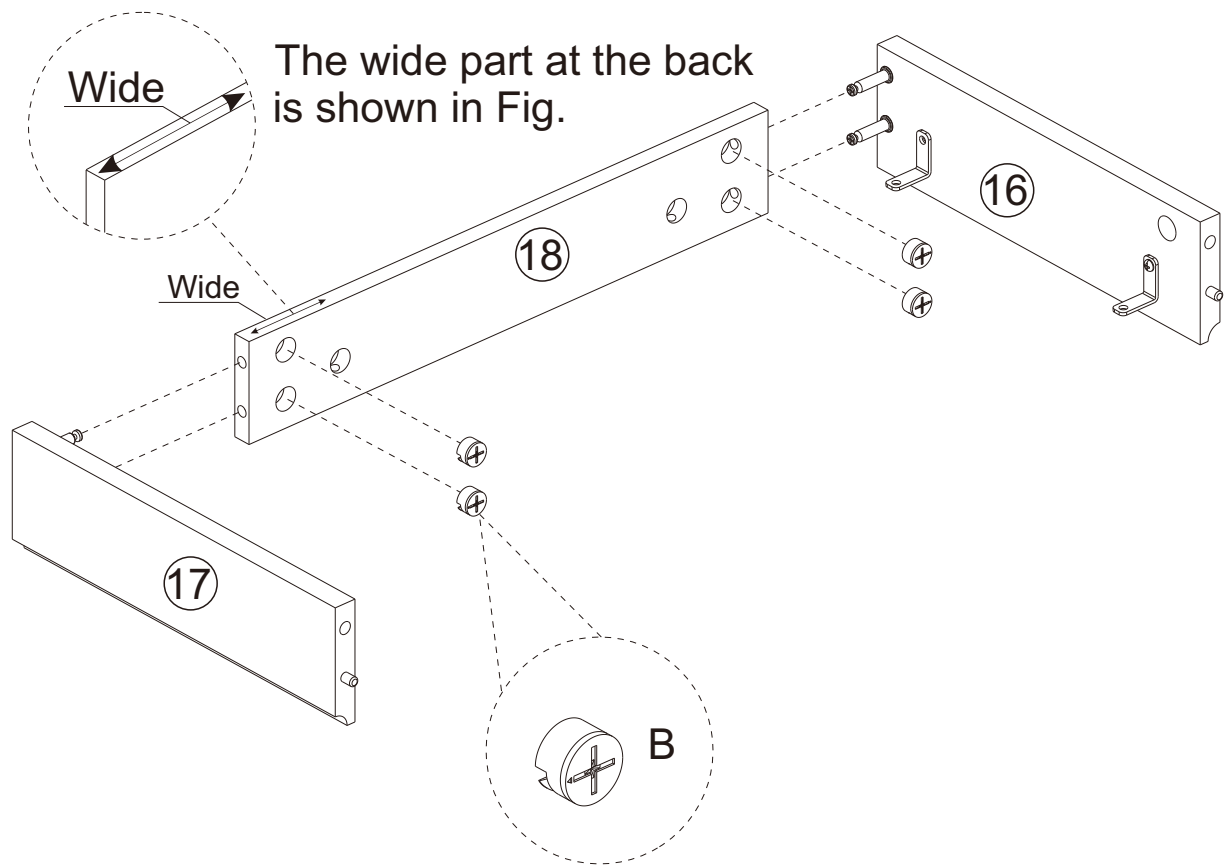
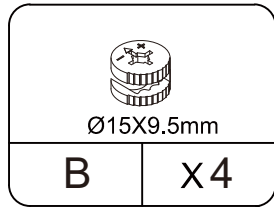
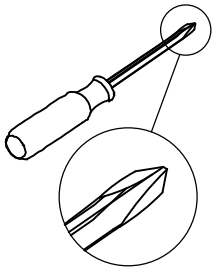
STEP22



STEP 23

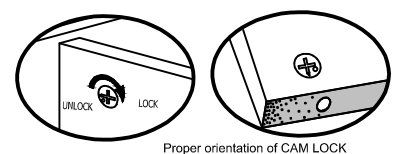
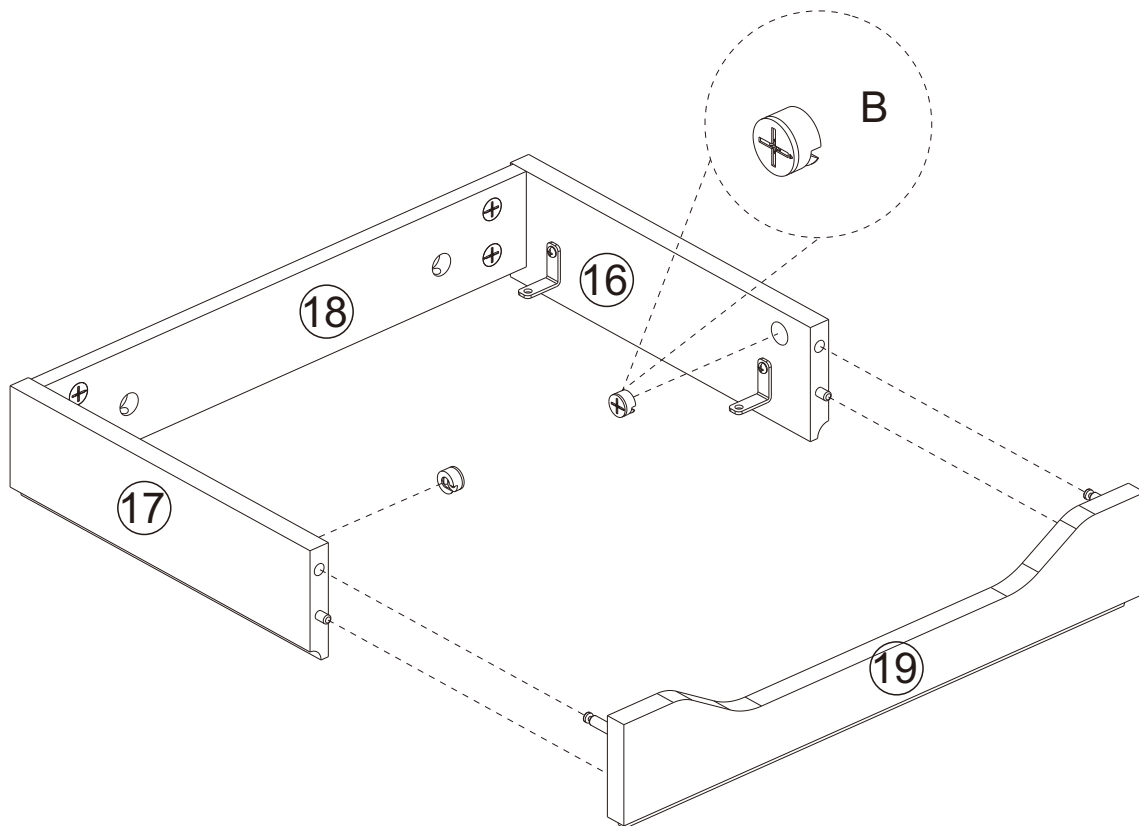
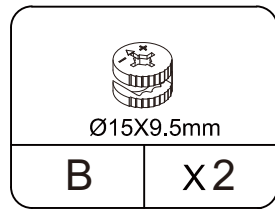
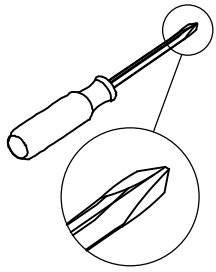


STEP24



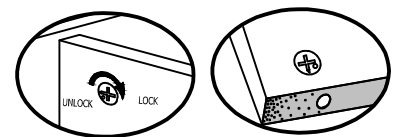
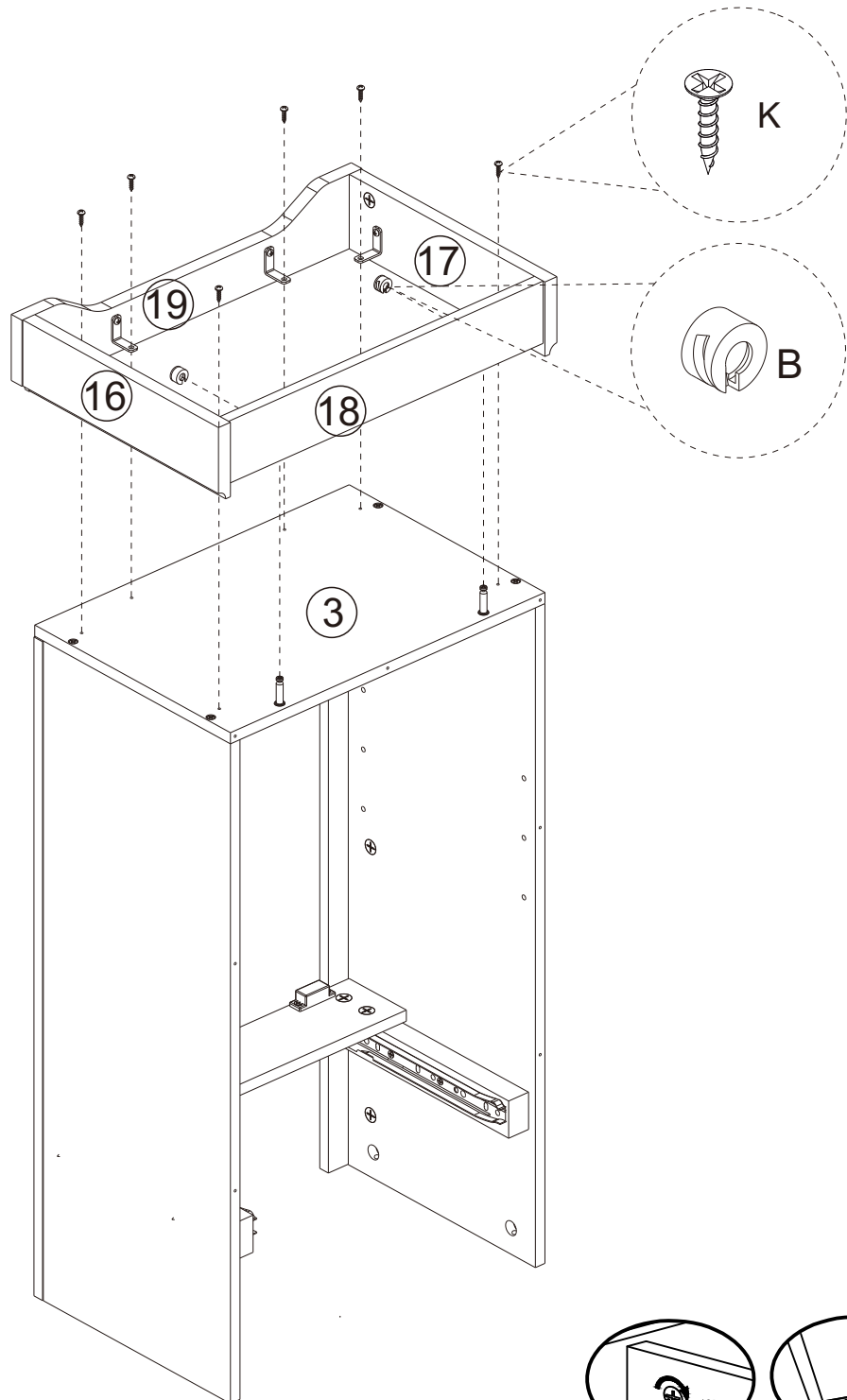
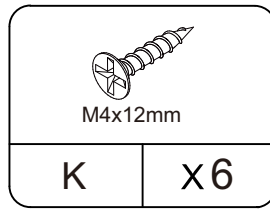
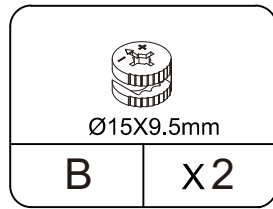
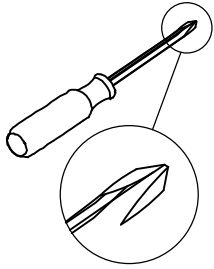
Proper orientation of CAM LOCK

STEP25



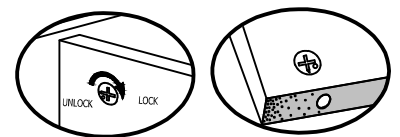
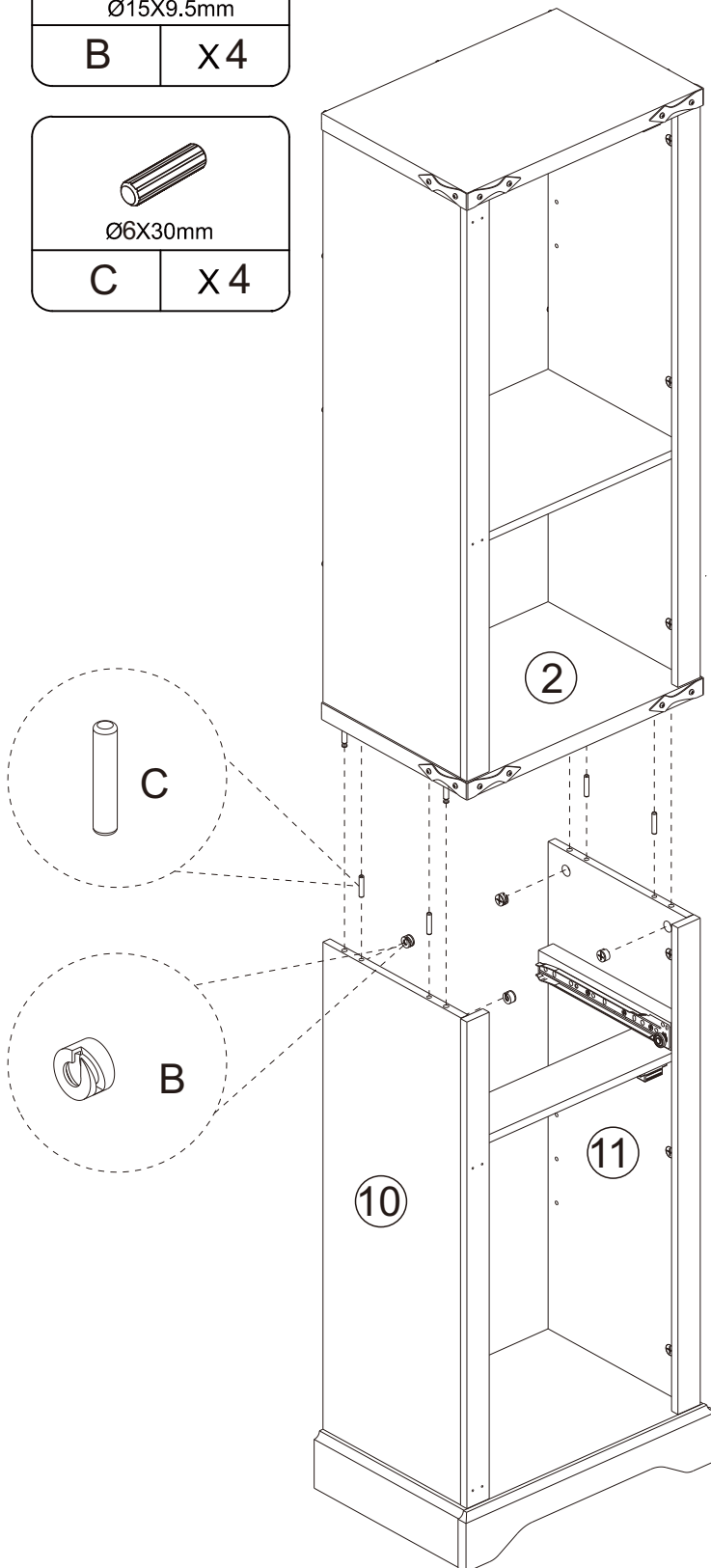
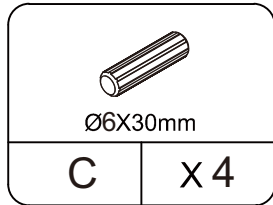
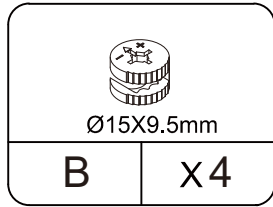
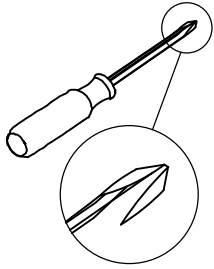
Proper orientation of CAM LOCK

STEP 26



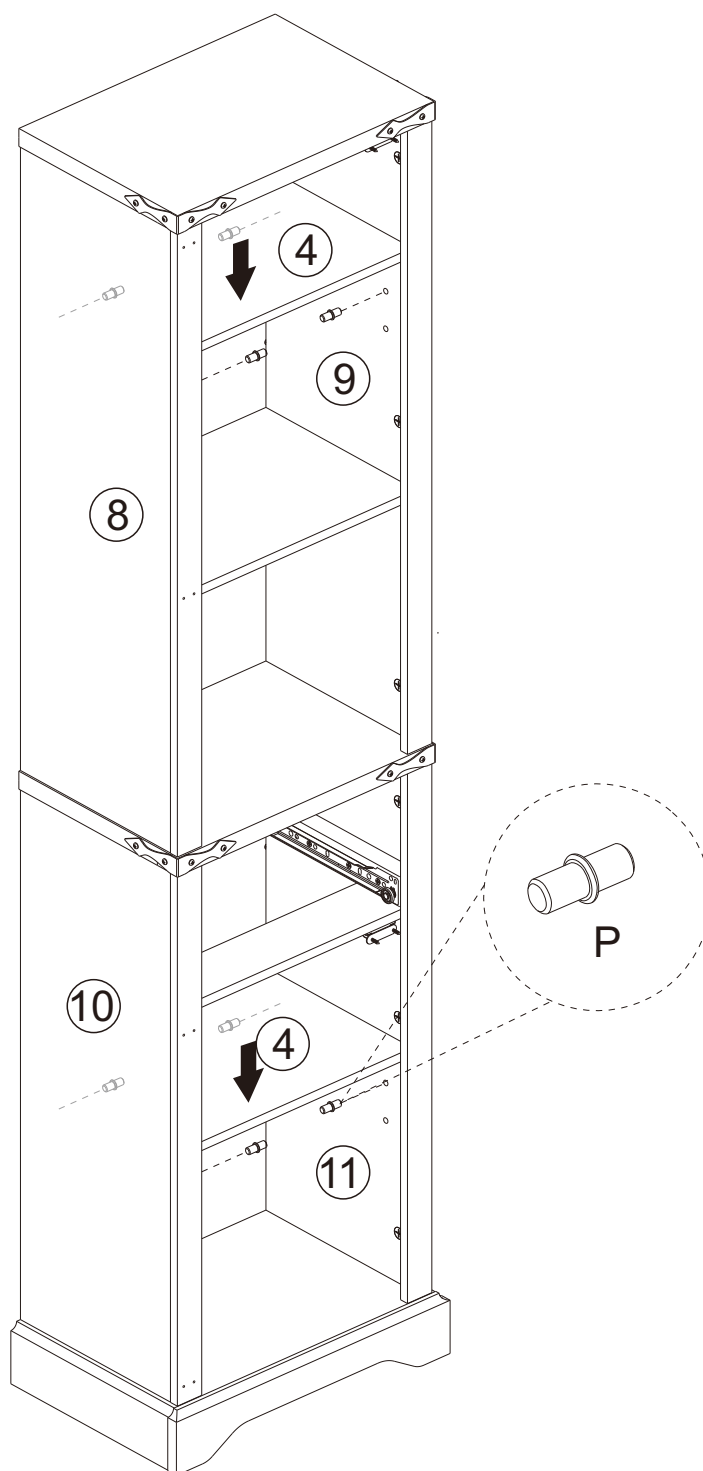
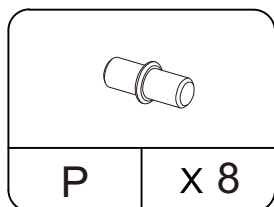
Proper orientation of CAM LOCK

STEP 27

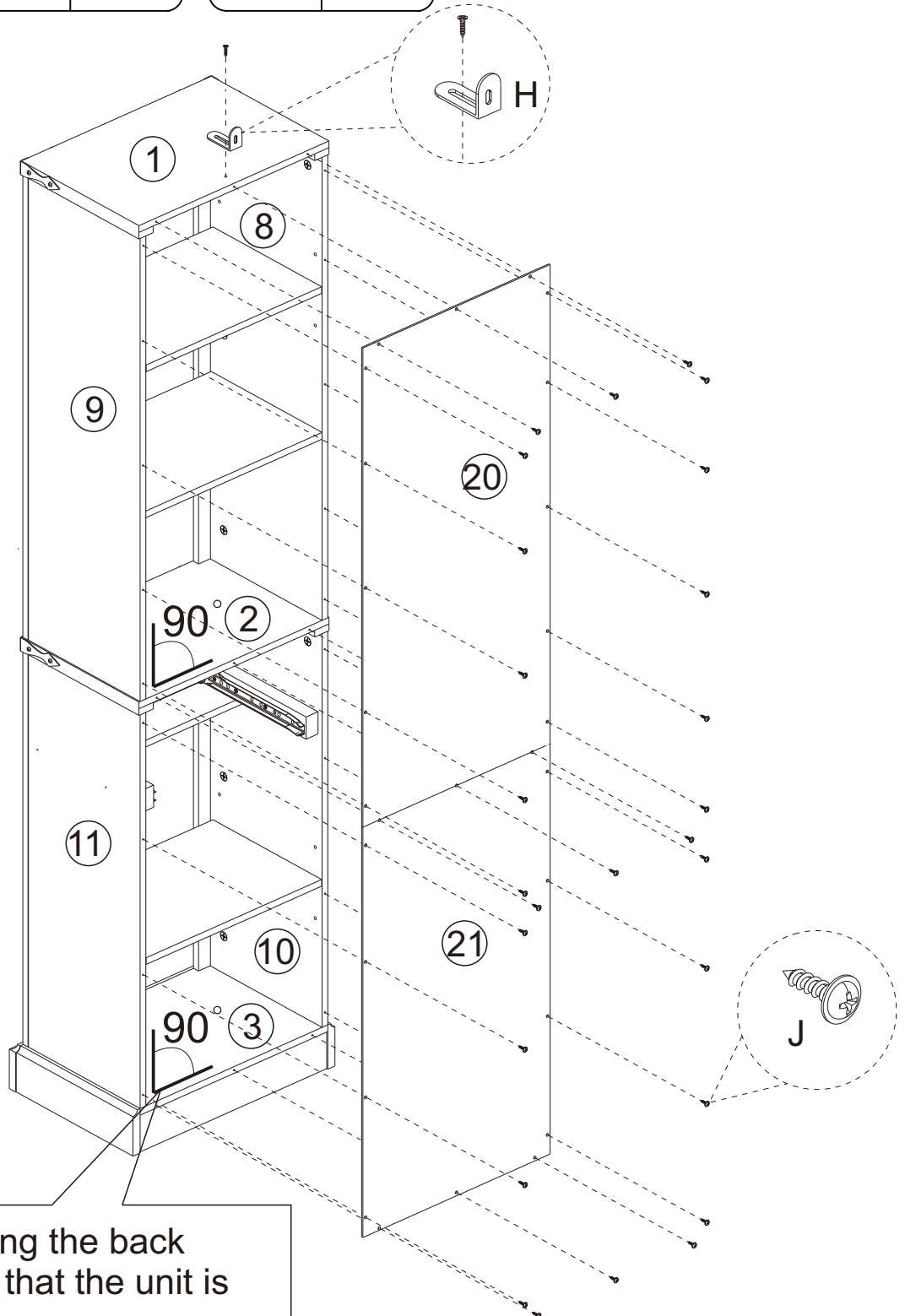
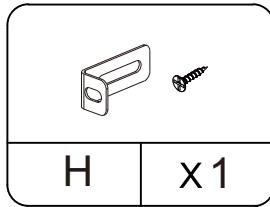
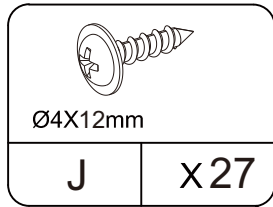
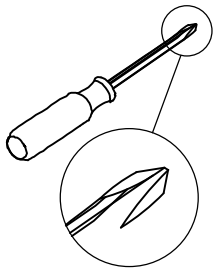


Proper orientation of CAM LOCK

STEP28

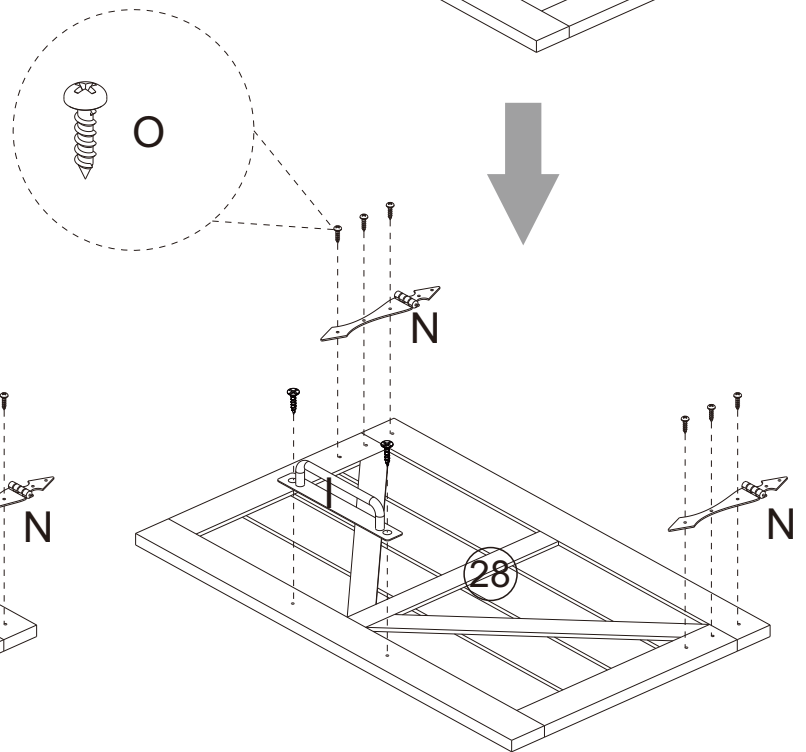
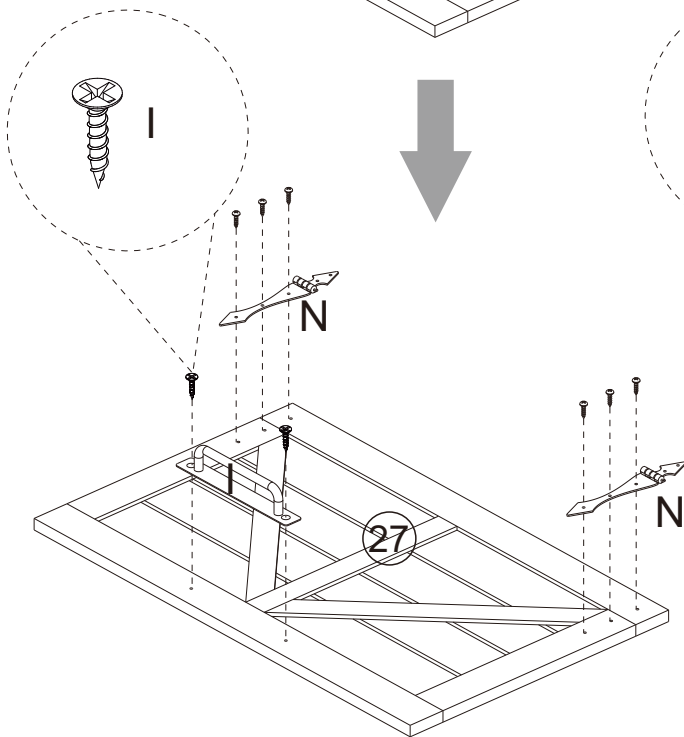
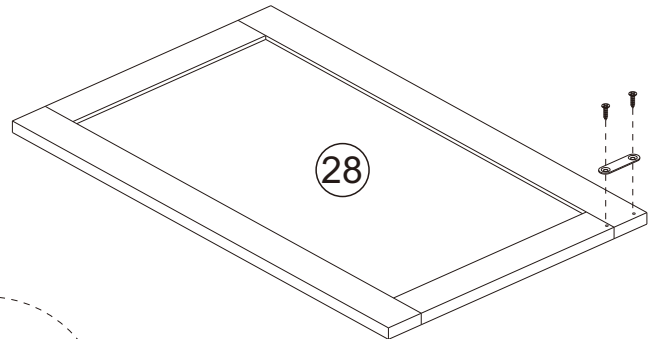
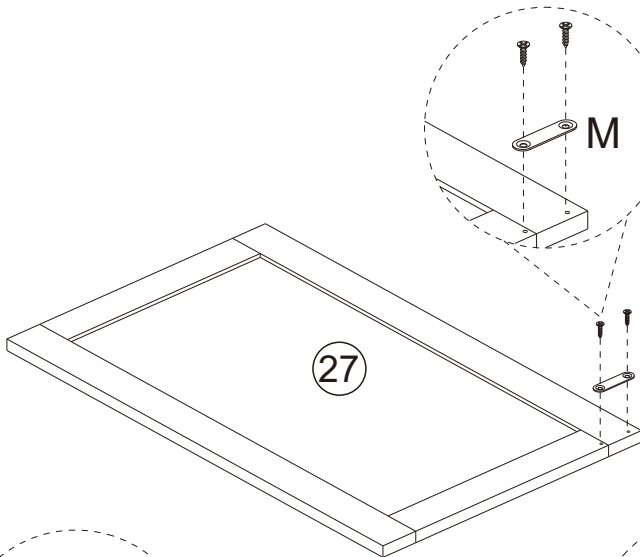
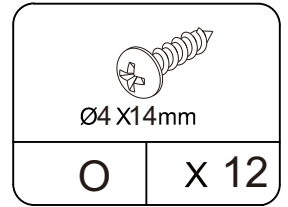
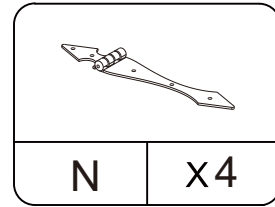
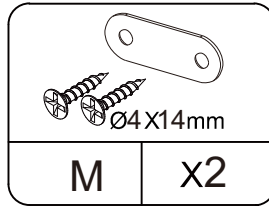
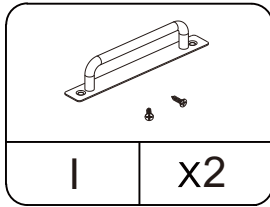
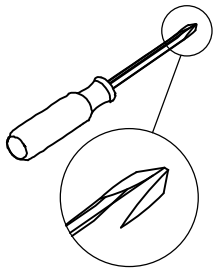


STEP 29

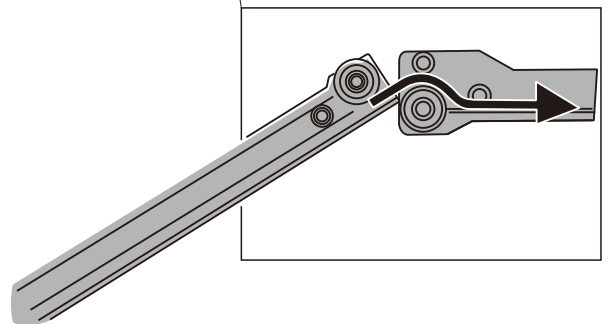
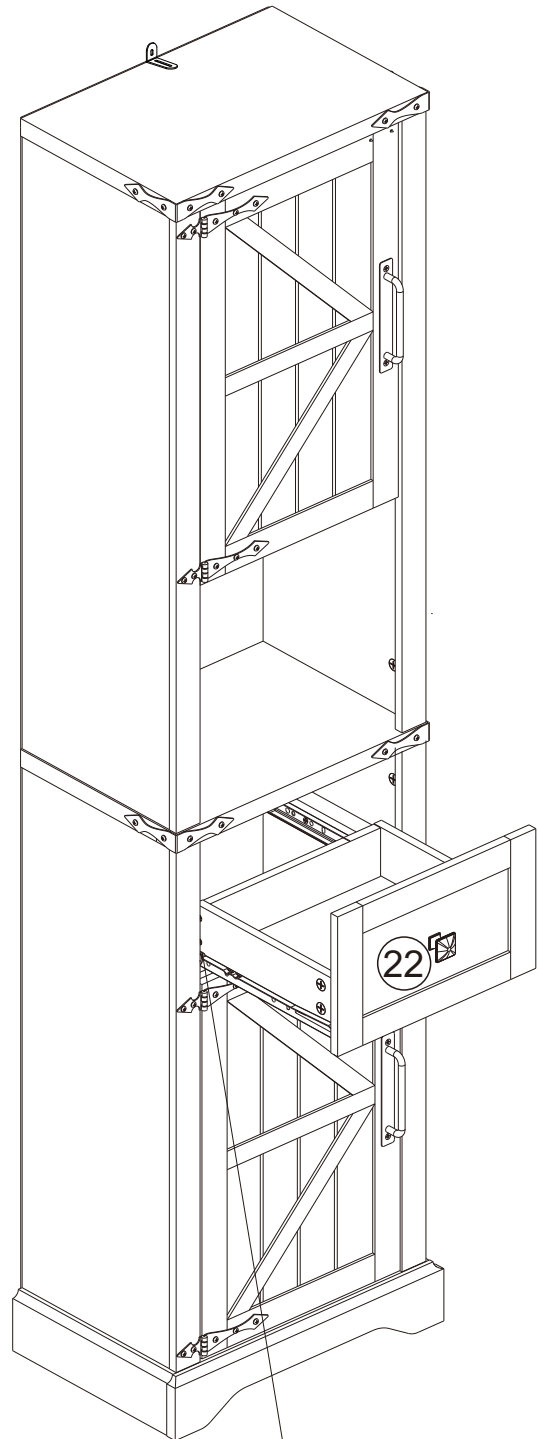
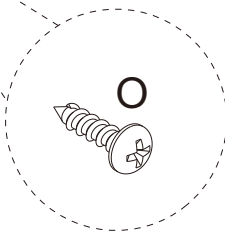
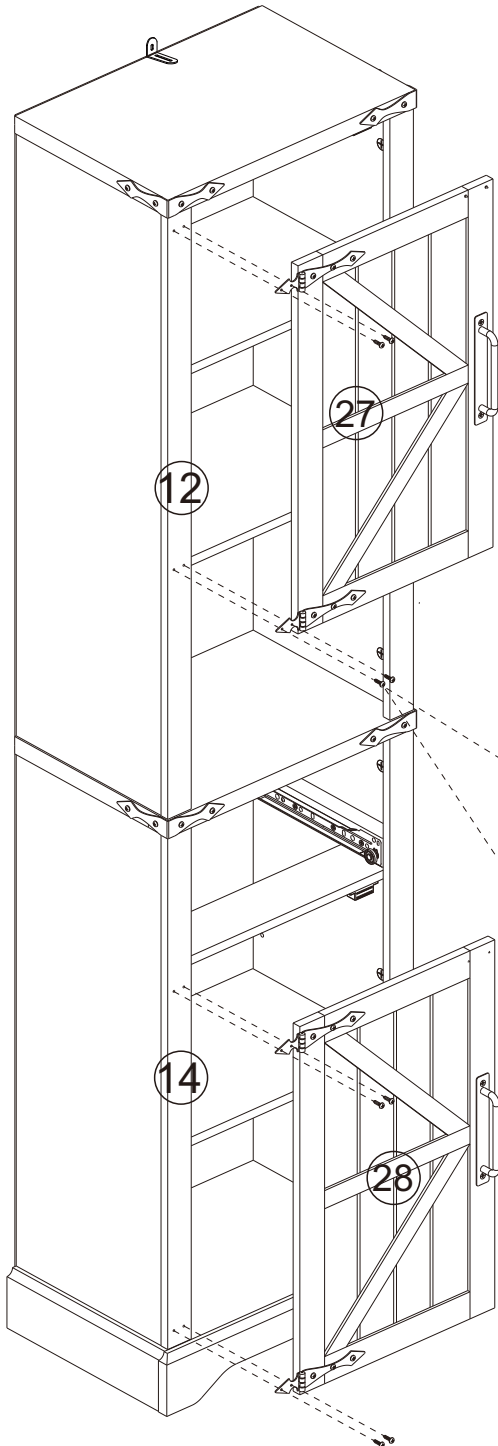
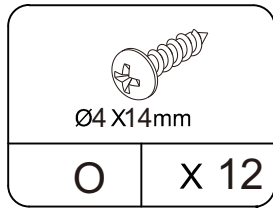
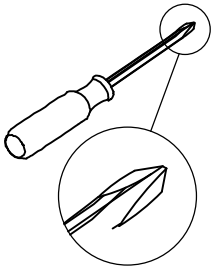


Before attaching the back panel, be sure that the unit is at 90°.

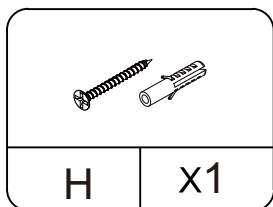
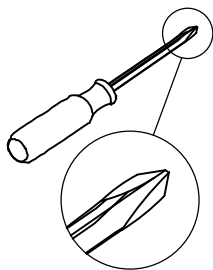
STEP30



STEP 31



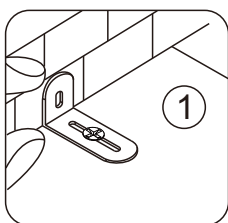
STEP32



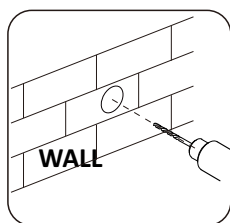
NOTE:The tipping restraint hardware included is for wooden stud wall construction. It must be attached to a wall stud. Depending upon your wall construction different anchor hardware may be required. Please contact your local hardware store for assistance. Young children can be seriously injured by tipping furniture. You must install the tipping restraint hardware with the unit to prevent the unit from tipping, causing any accidents or damage. The tipping restraints are intended only as a deterrent and are not a substitute or proper adult supervision. The tipping restraints are not earthquake restraints. If you wish to add the extra security of earthquake restraints, they must be purchased and installed separately.



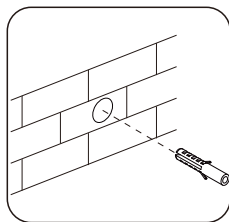
Install the tipping restraint hardware



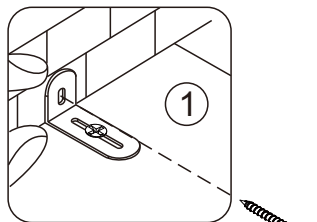
1. make mark on the wall



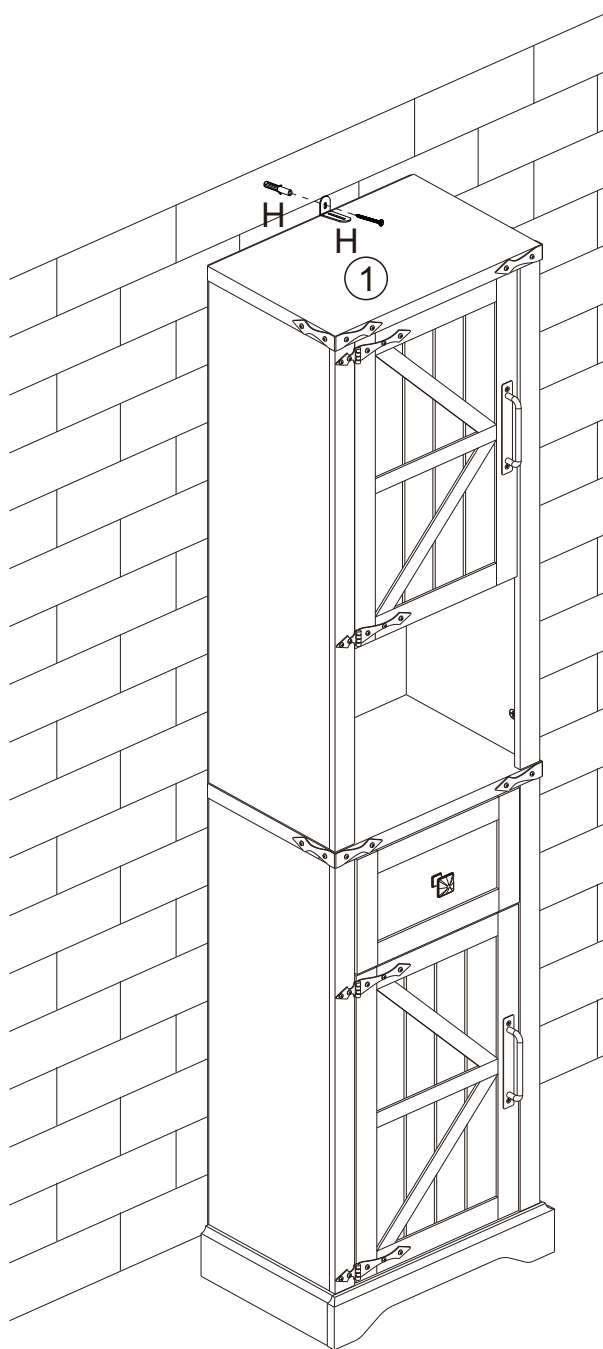
2. Drill two Ø6 holes on the wall



3. Put anchor in the holes



4. Push the cabinet closer to the wall then fix the device on the wall by the long screws



STEP 33

