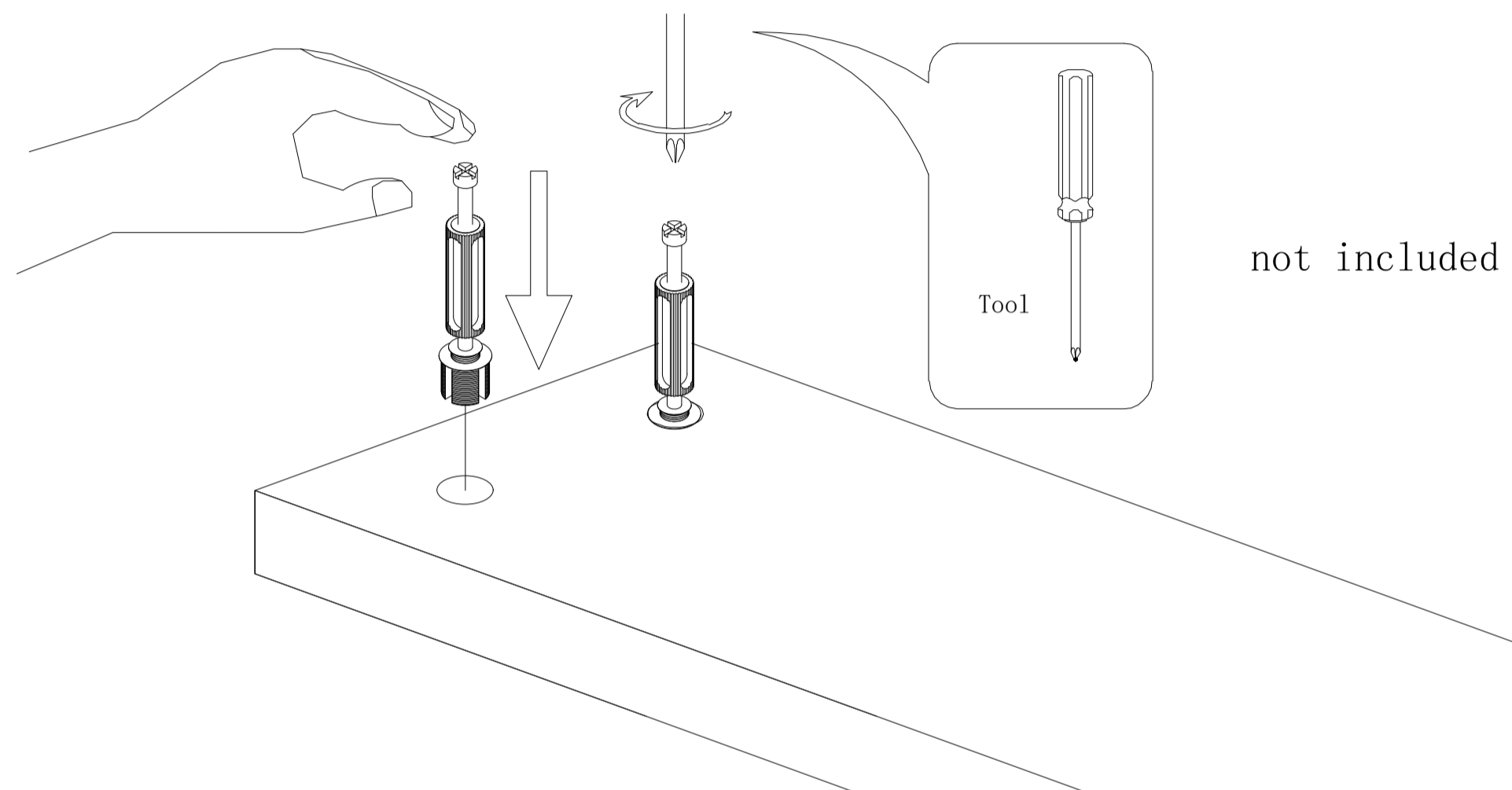




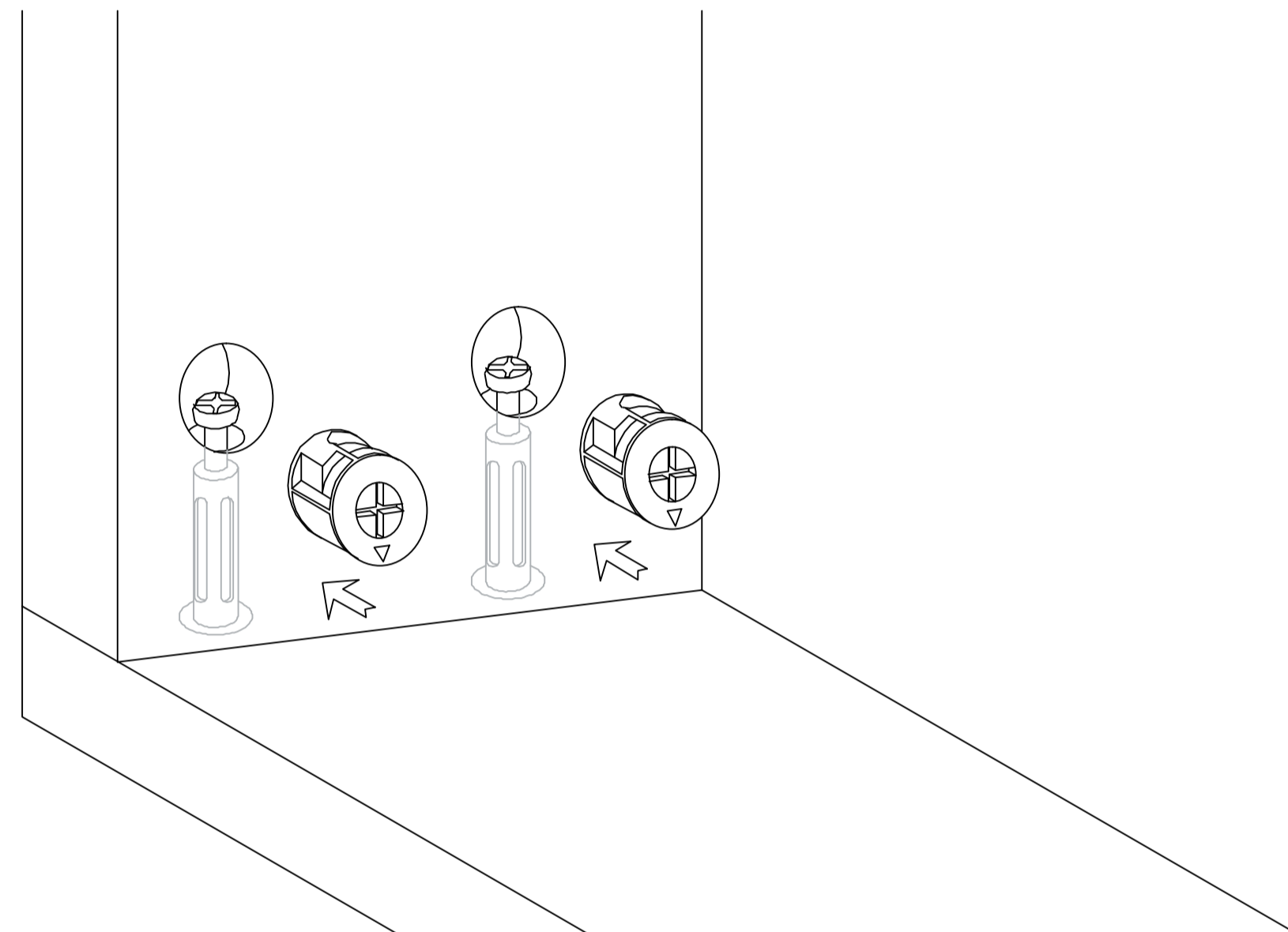
# Hardware installation demonstration

NOTE: Please make sure "A" hardware tightened and can't be pulled out!

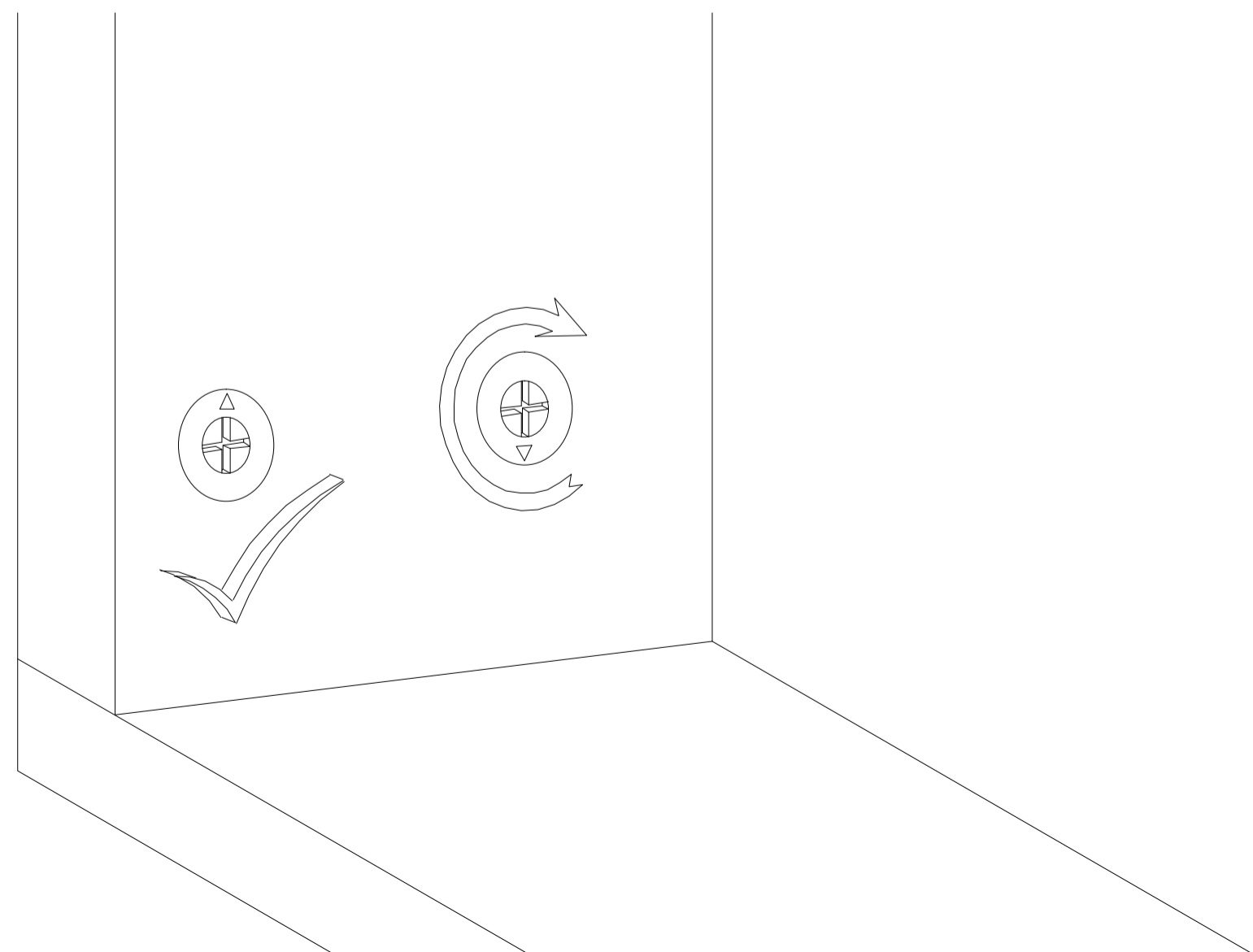
I

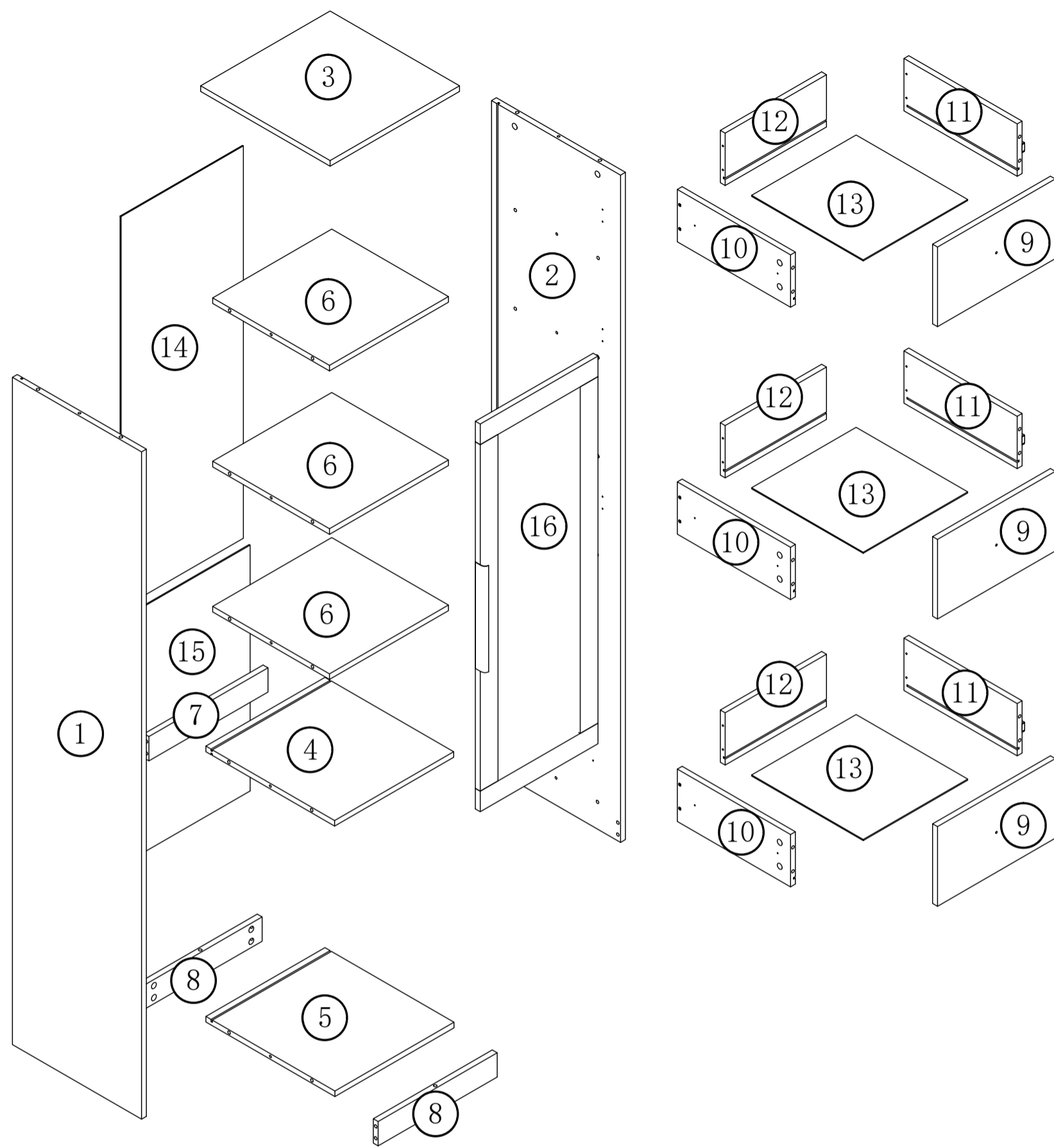


II

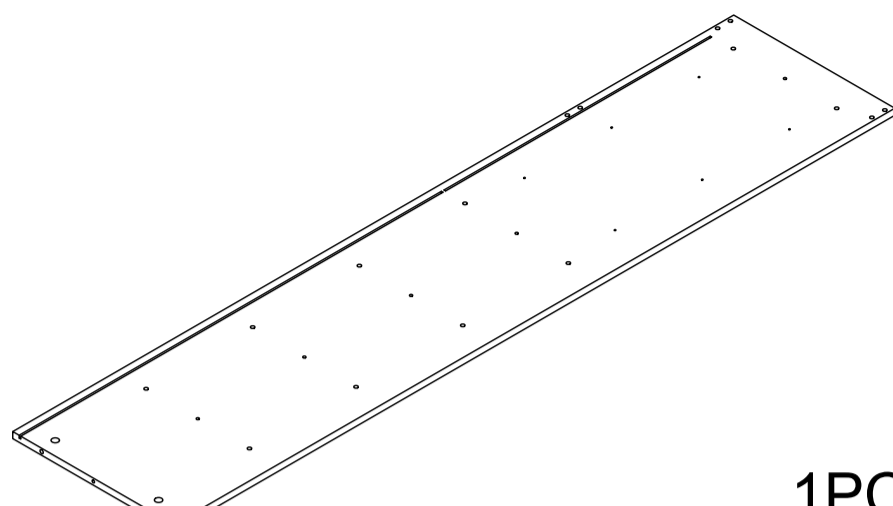


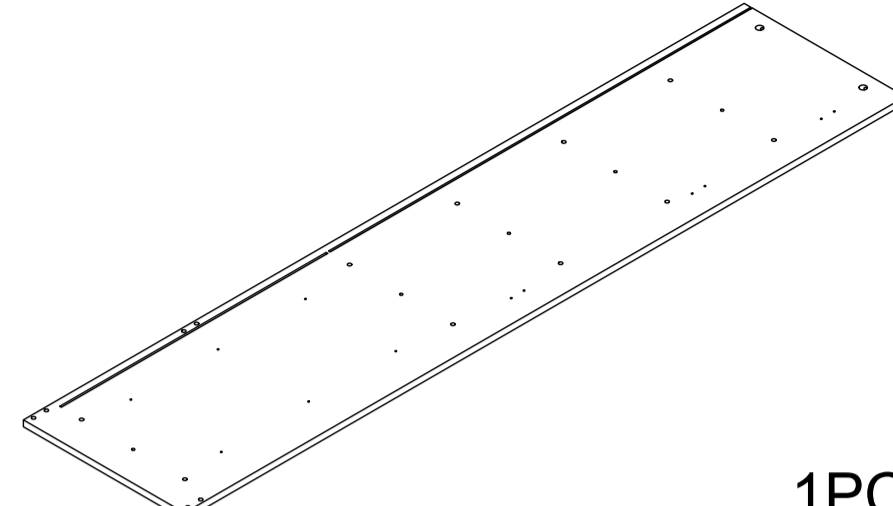
III

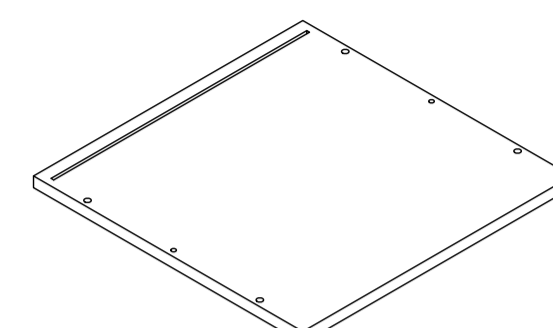


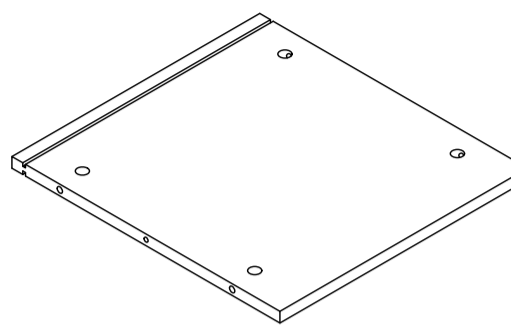


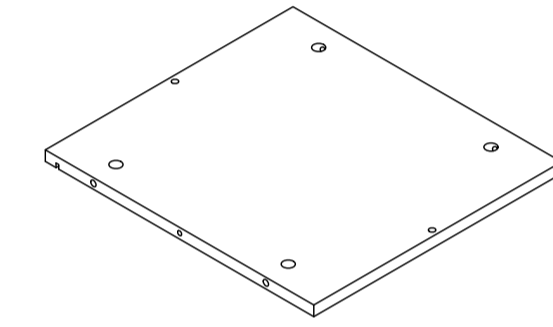
<b>K</b>  300mm K1 K2 3PCS	<b>L</b>  L2 L1 2PCS	<b>M</b>  8*40 2PCS	<b>N</b>  24PCS	<b>O</b>  12PCS	<b>P</b>  6PCS				
<b>A</b>  50PCS	<b>B</b>  50PCS	<b>C</b>  8*40 12PCS	<b>D</b>  3PCS	<b>E</b>  3PCS	<b>F</b>  4*18 3PCS	<b>G</b>  3.5*14 38PCS	<b>H</b>  3.5*35 12PCS	<b>I</b>  4*50 2PCS	<b>J</b>  3*12 12PCS

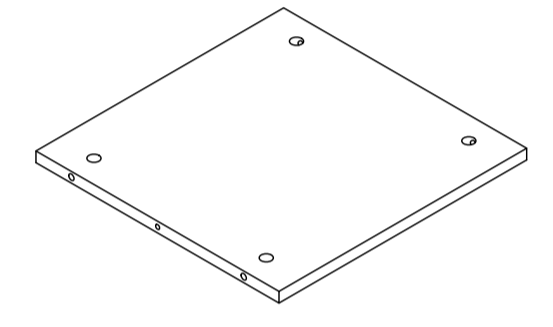
1  
1785\*399 (mm)  
70.28\*15.71 (inch)  
  
1PC

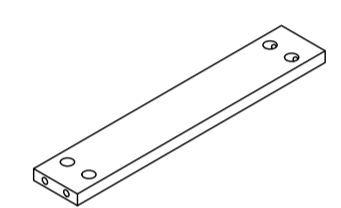
2  
1785\*399 (mm)  
70.28\*15.71 (inch)  
  
1PC

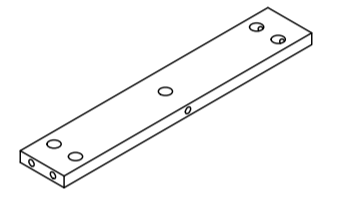
3  
400\*400 (mm)  
15.75\*15.75 (inch)  
  
1PC

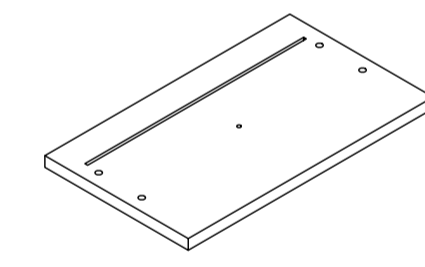
4  
368\*399 (mm)  
14.49\*15.71 (inch)  
  
1PC

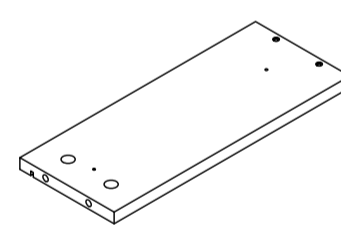
5  
368\*399 (mm)  
14.49\*15.71 (inch)  
  
1PC

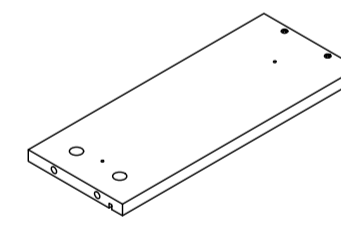
6  
368\*361 (mm)  
14.49\*14.21 (inch)  
  
3PCS

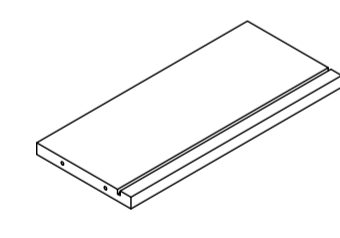
7  
368\*65 (mm)  
14.49\*2.56 (inch)  
  
1PC

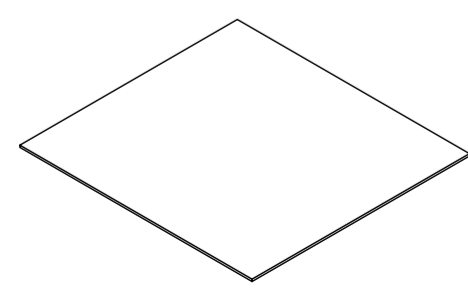
8  
368\*65 (mm)  
14.49\*2.56 (inch)  
  
2PCS

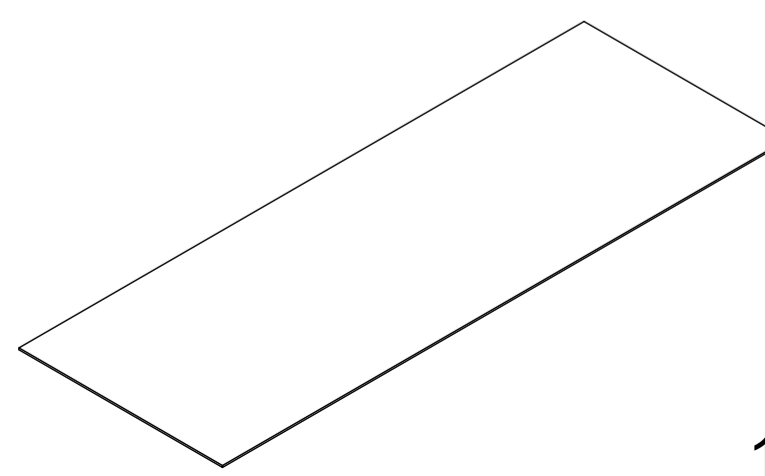
9  
364\*213 (mm)  
14.33\*8.39 (inch)  
  
3PCS

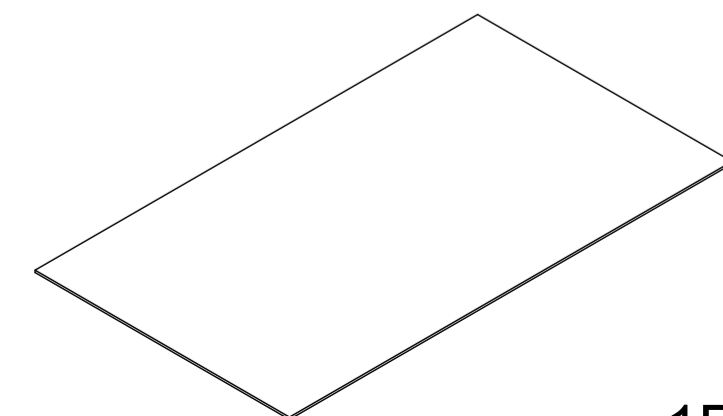
10  
300\*140 (mm)  
11.81\*5.51 (inch)  
  
3PCS

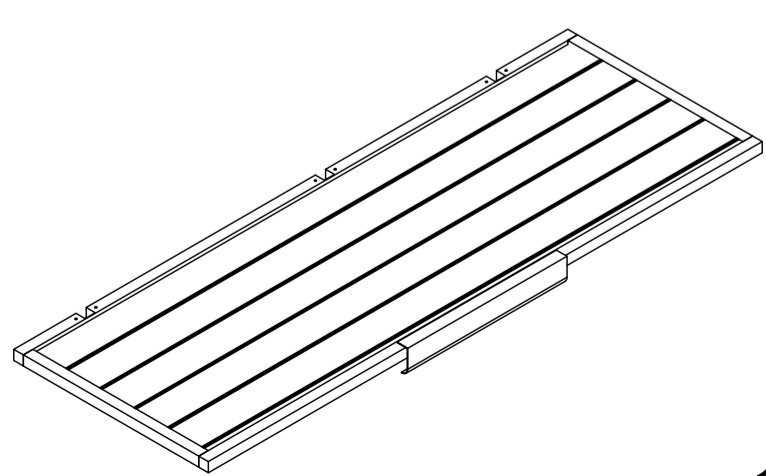
11  
300\*140 (mm)  
11.81\*5.51 (inch)  
  
3PCS

12  
313\*140 (mm)  
12.32\*5.51 (inch)  
  
3PCS

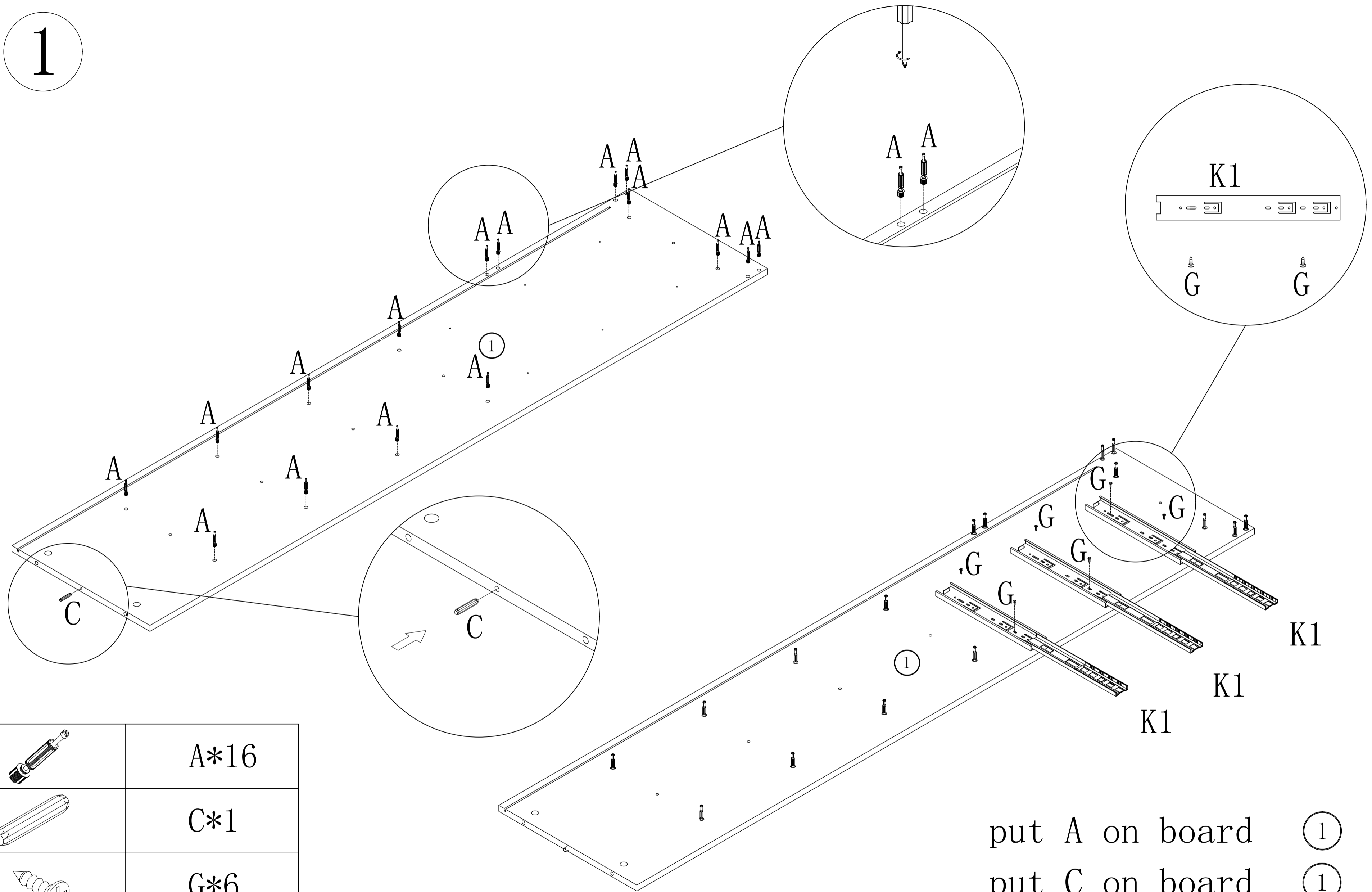
13  
345\*323 (mm)  
13.58\*12.72 (inch)  
  
3PCS

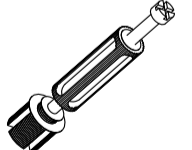
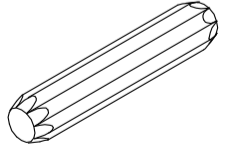
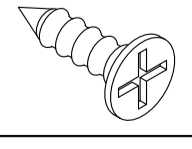

14  
1050\*378 (mm)  
41.34\*14.89 (inch)  
  
1PC

15  
658\*378 (mm)  
25.91\*14.89 (inch)  
  
1PC

16  
1037\*364 (mm)  
40.83\*14.33 (inch)  
  
1PC

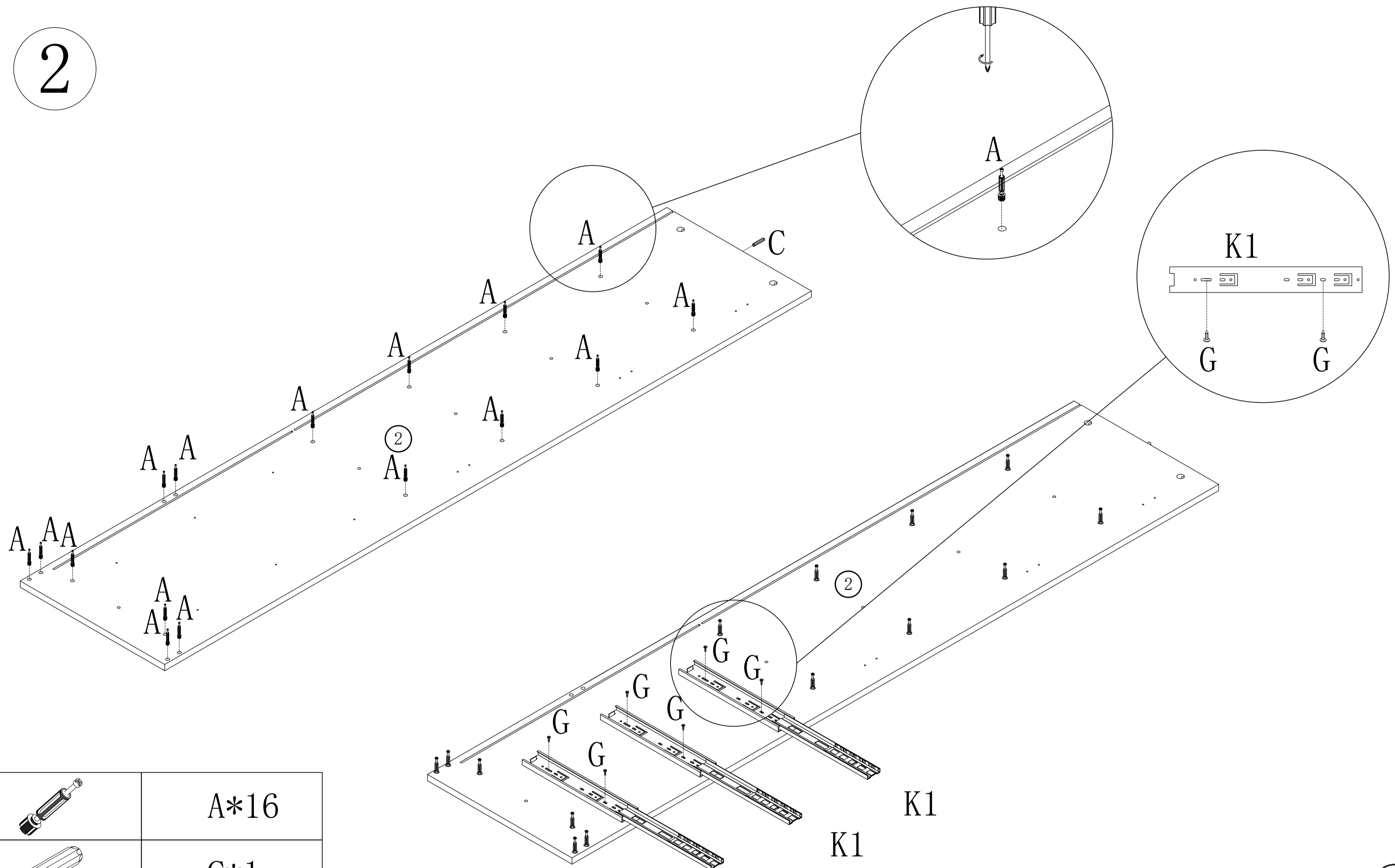
1

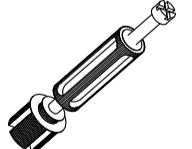
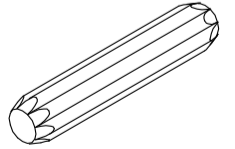
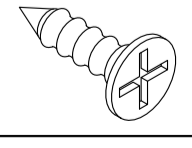



	A*16
	C*1
	G*6
	K1*3

- put A on board ①
- put C on board ①
- put K1 on board ①

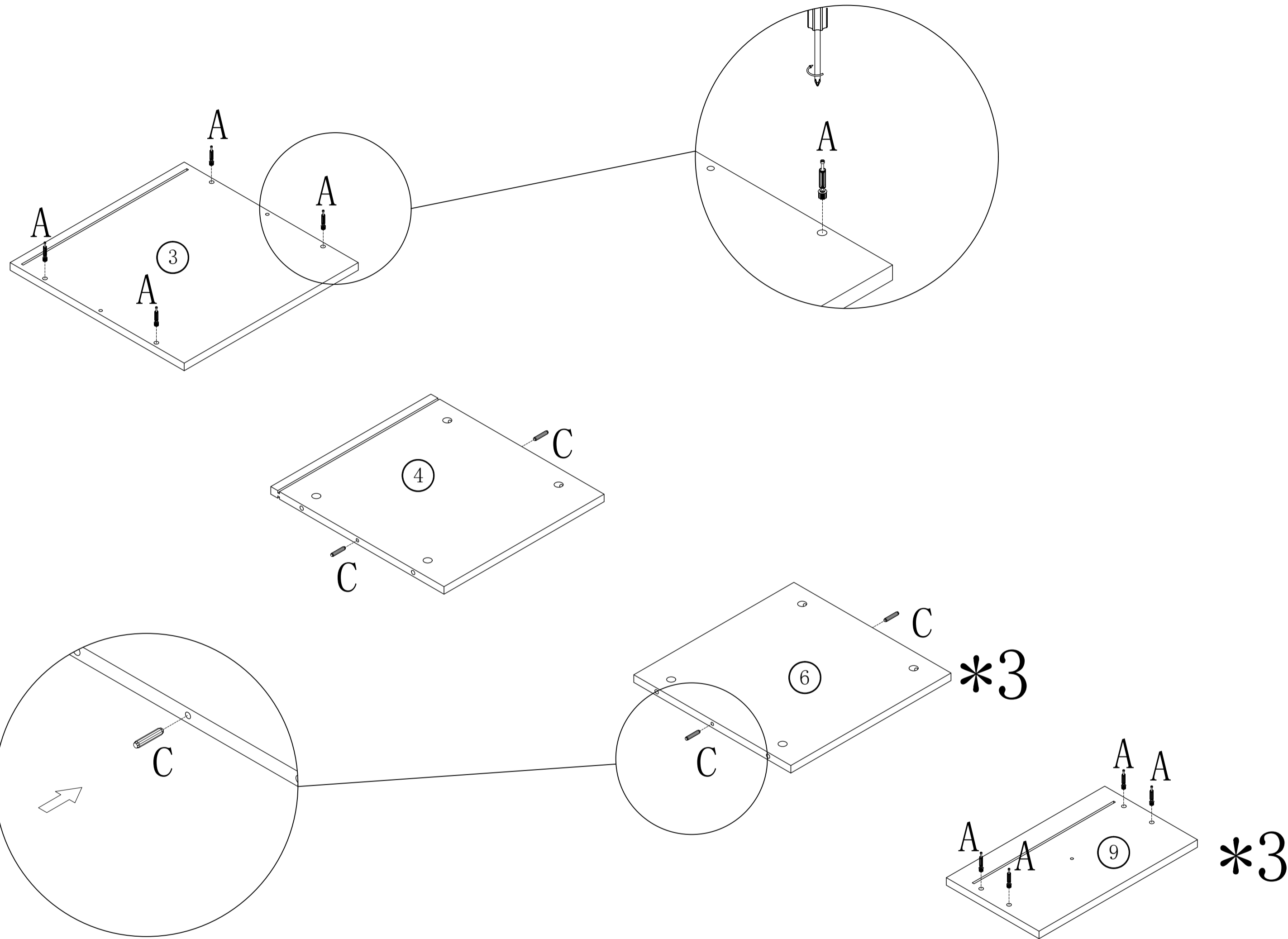
2

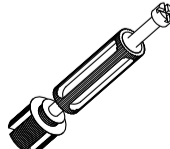
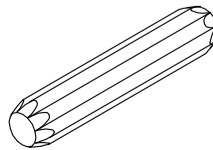


	A*16
	C*1
	G*6
	K1*3

- put A on board (1)
- put C on board (1)
- put K1 on board (1)

3

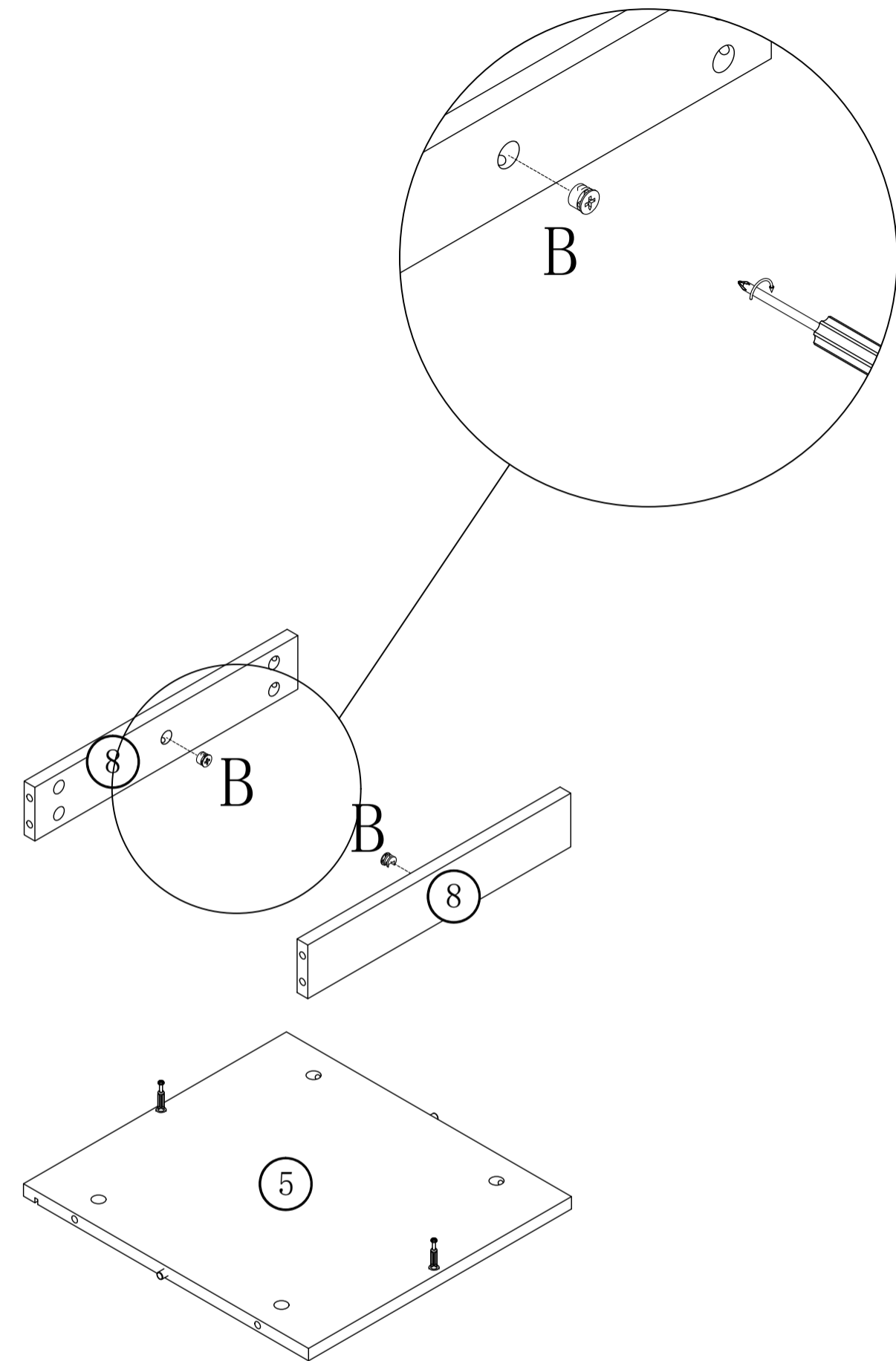
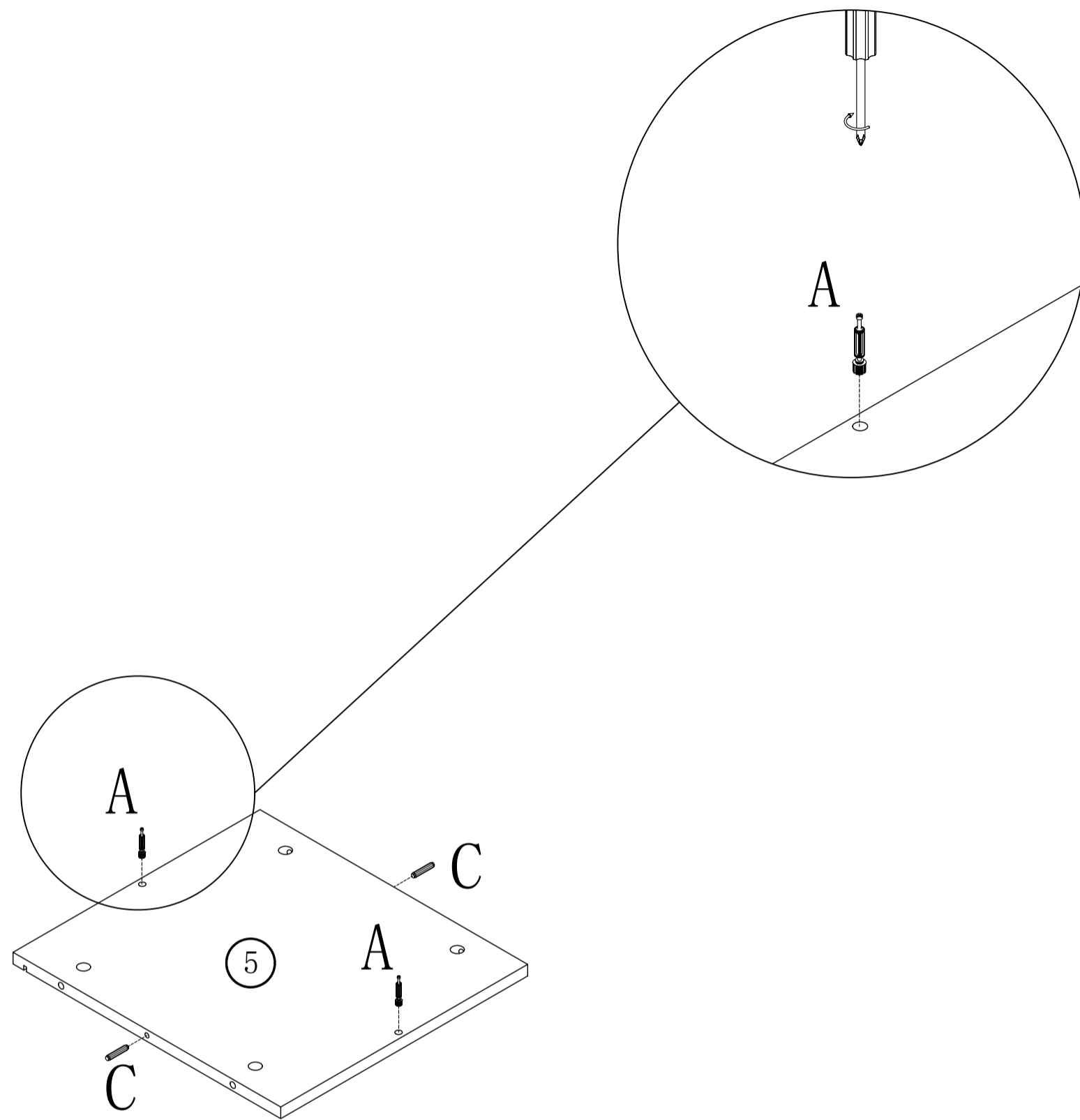


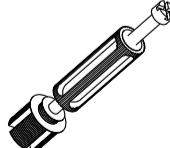
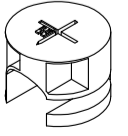
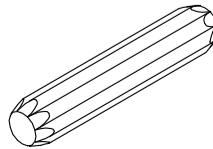
	A*16
	C*8

put A on board ③ ⑨

put C on board ④ ⑥

4



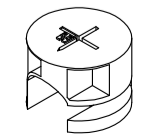
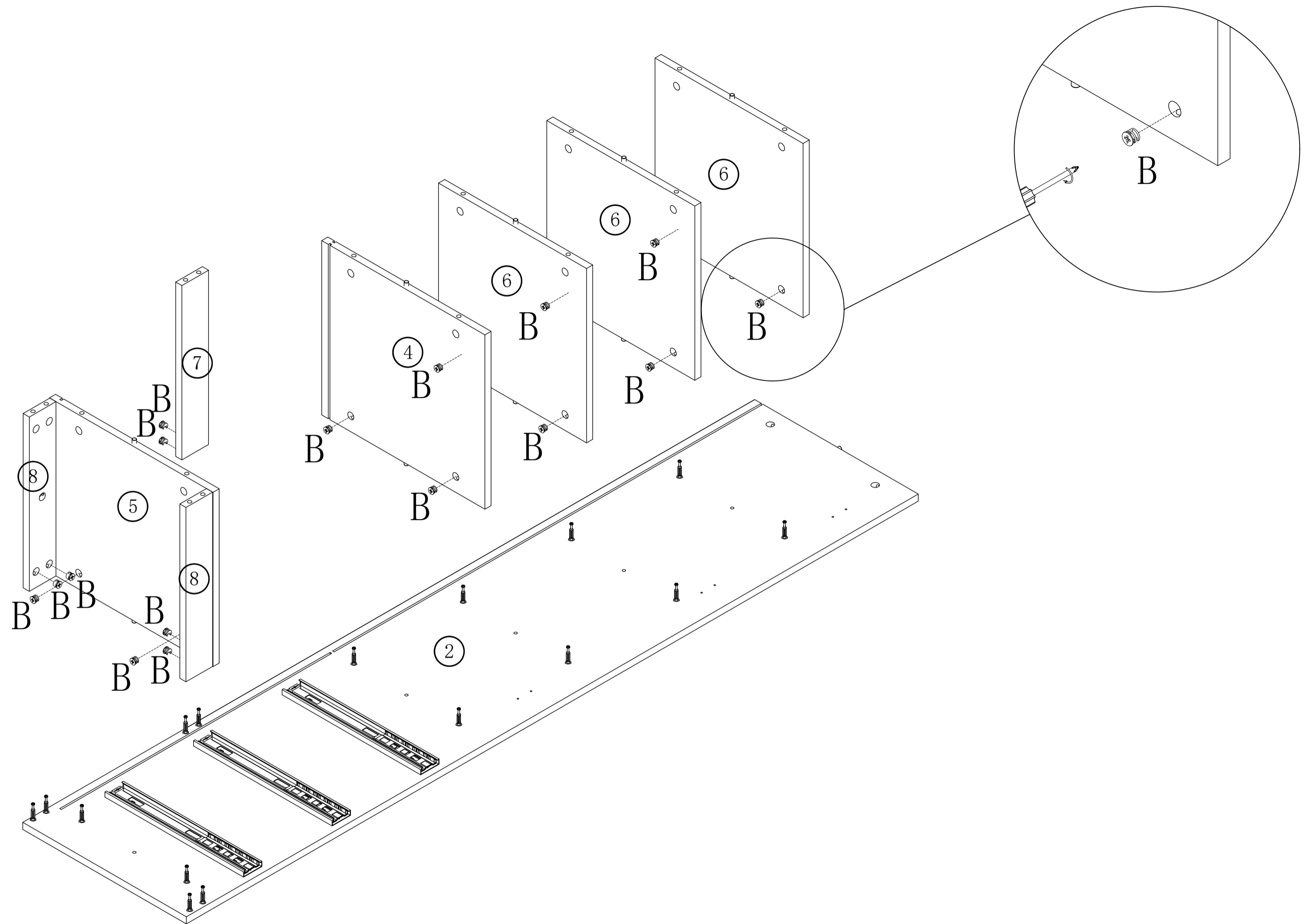
	A*2
	B*2
	C*2

put A on board ⑤

put B on board ⑧

put C on board ⑤

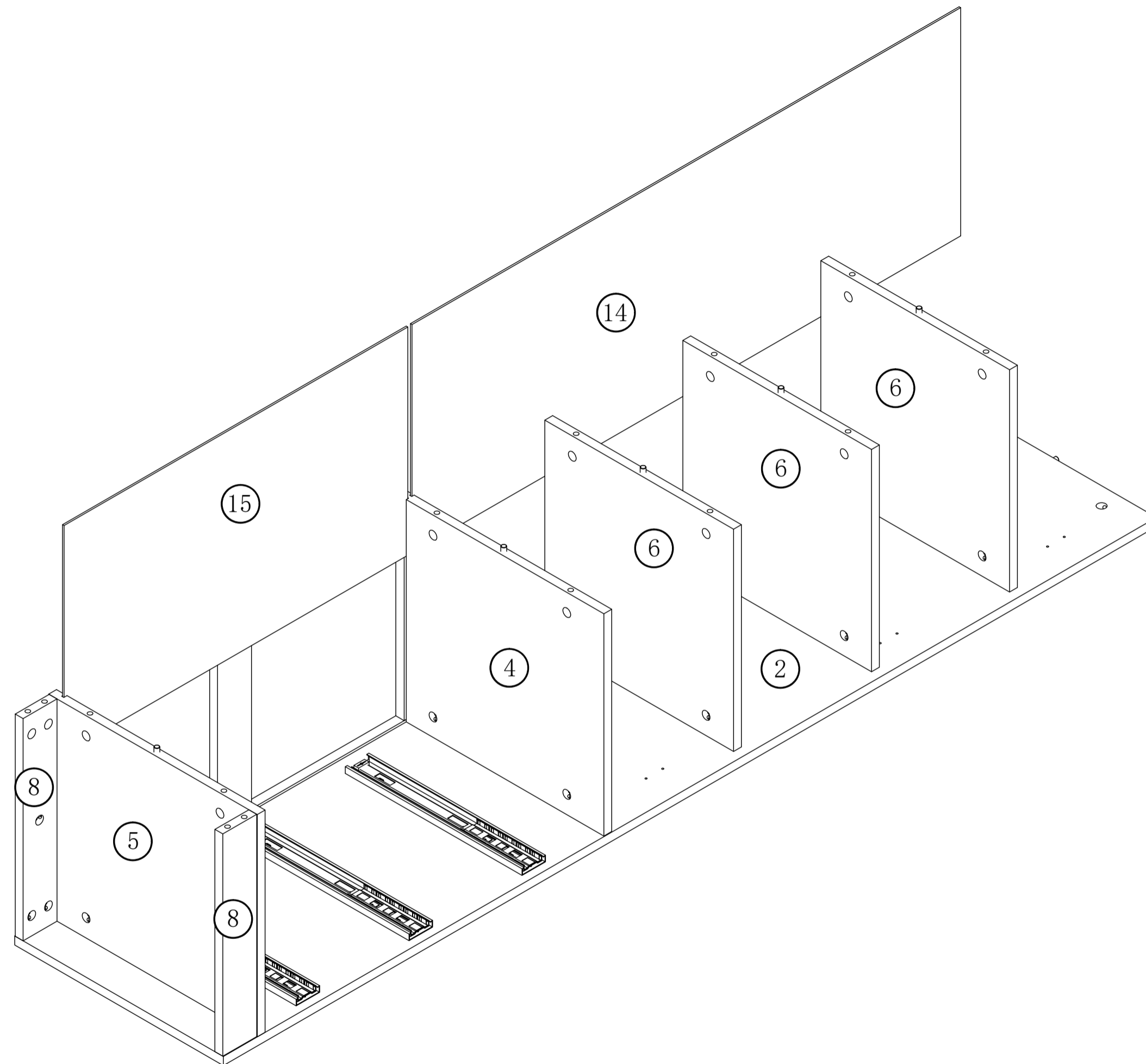
5



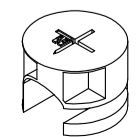
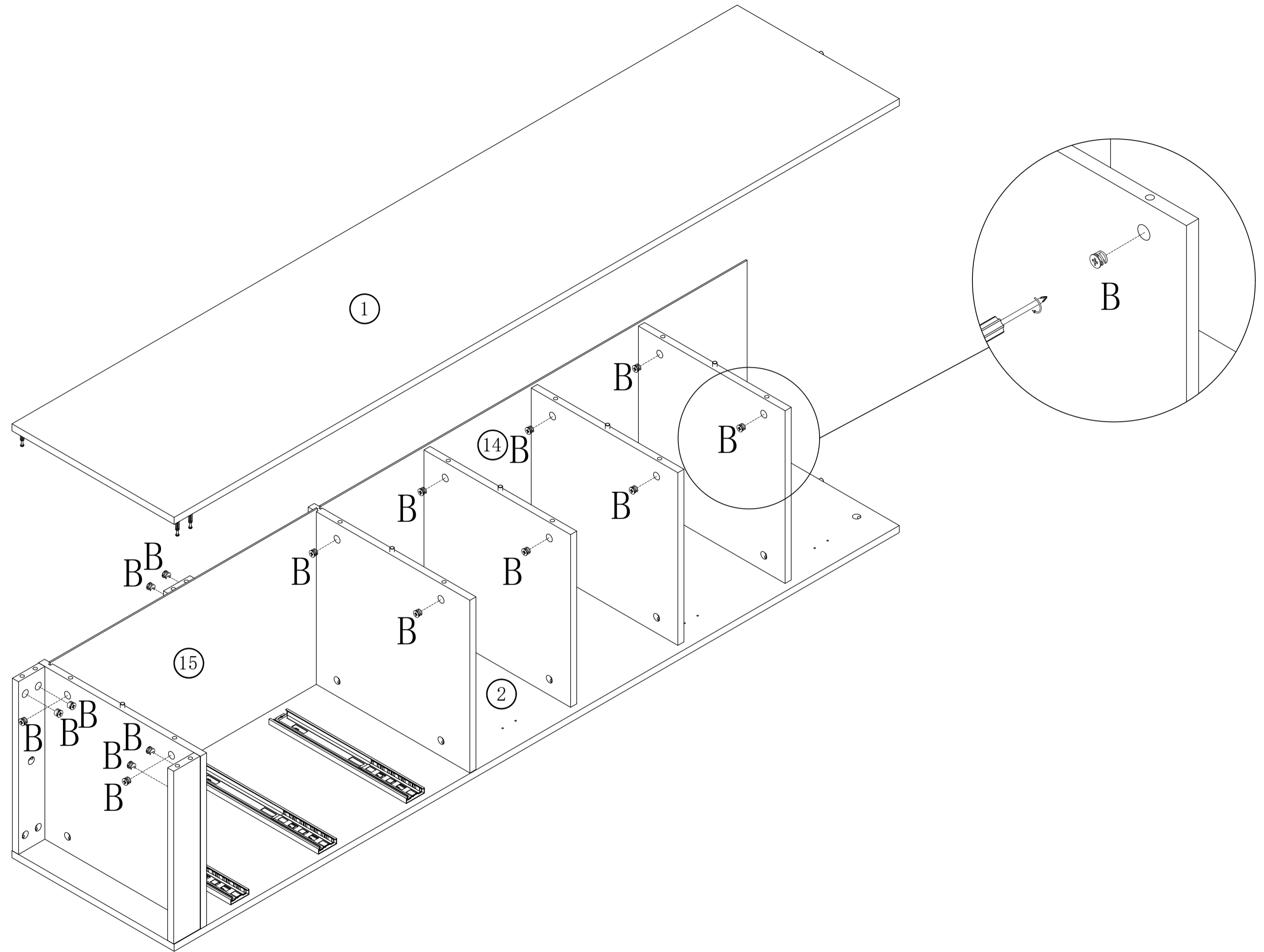
B\*16

put B on board ④ ⑤ ⑥ ⑦ ⑧

6



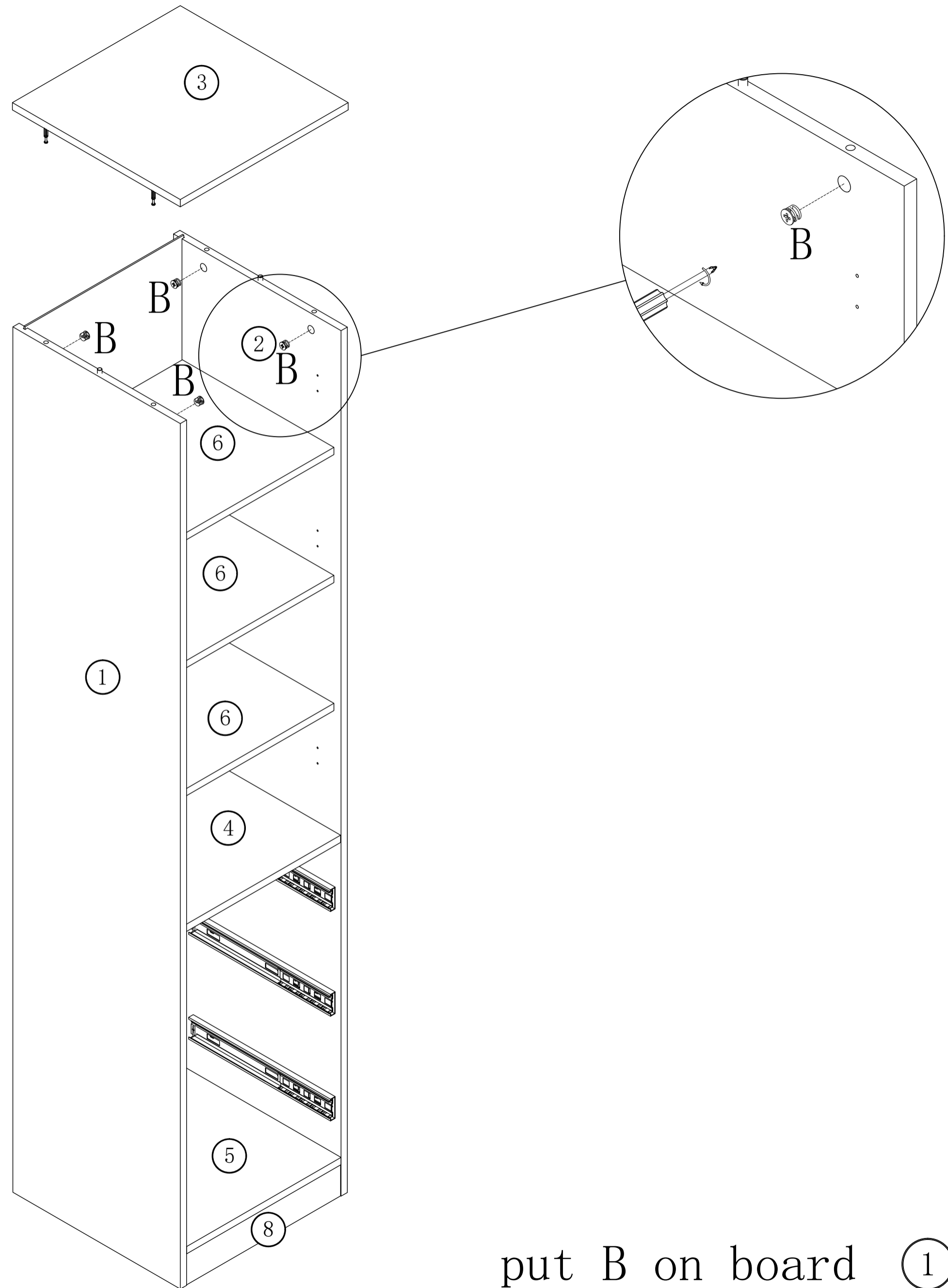
7



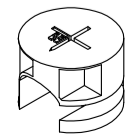
B\*16

put B on board ④ ⑤ ⑥ ⑦ ⑧

8



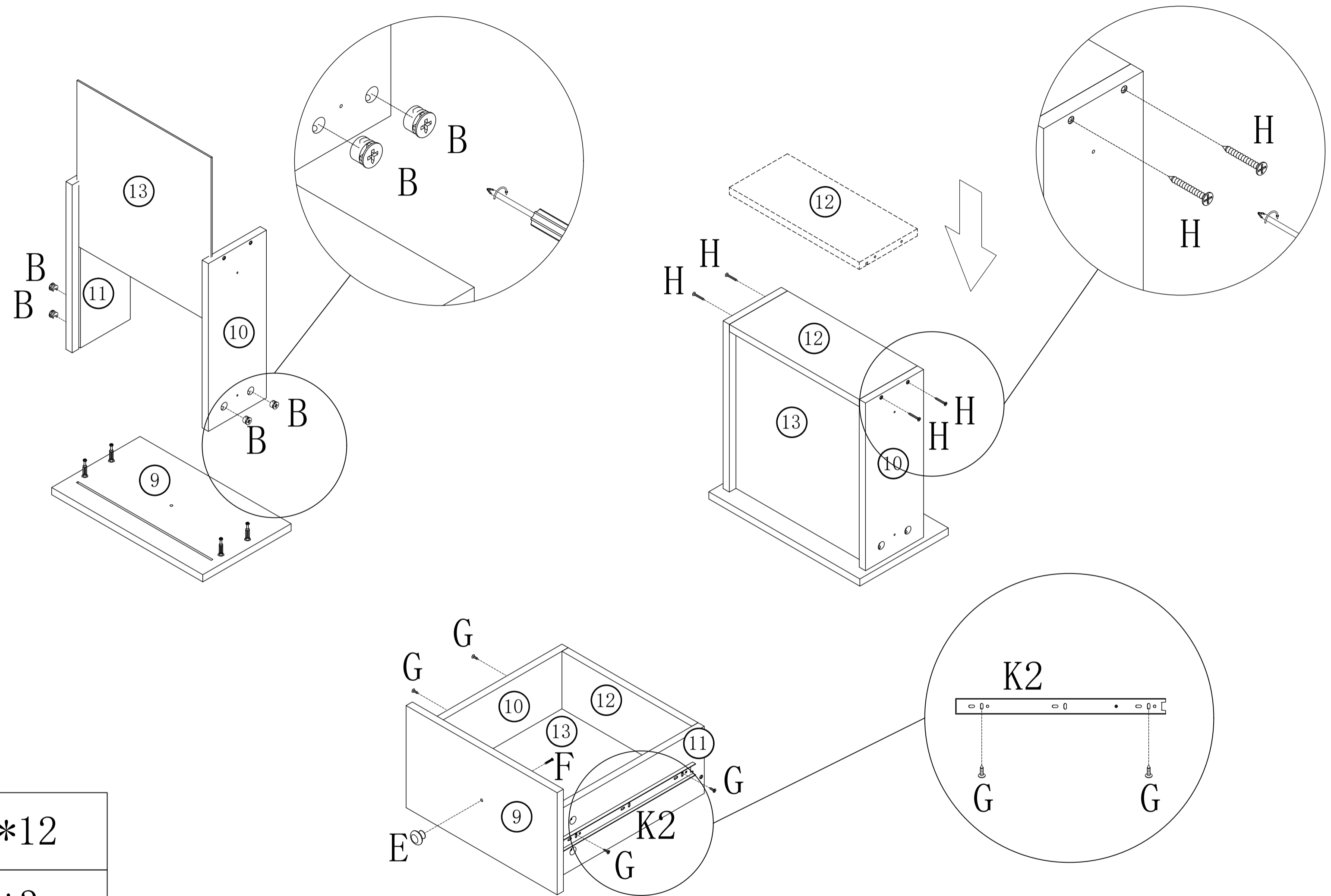
put B on board ① ②

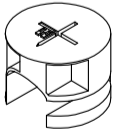

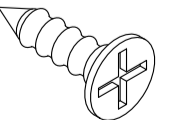
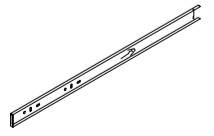
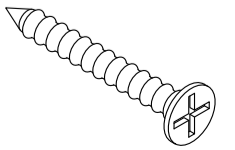
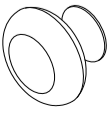


B\*4

9

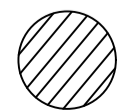
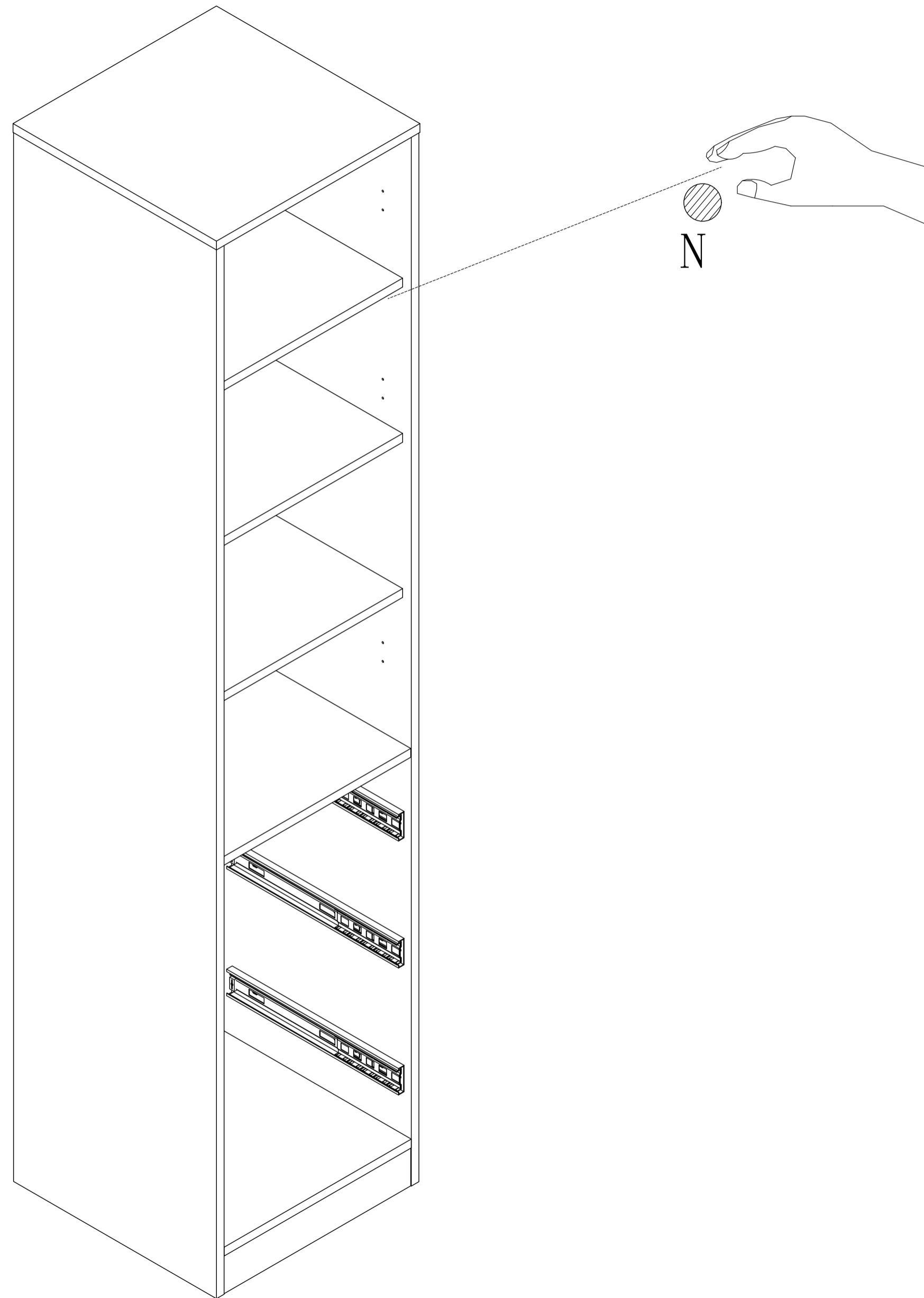
\*3



	B*12		
	F*3		
	G*12		K2*6
	H*12		E*3

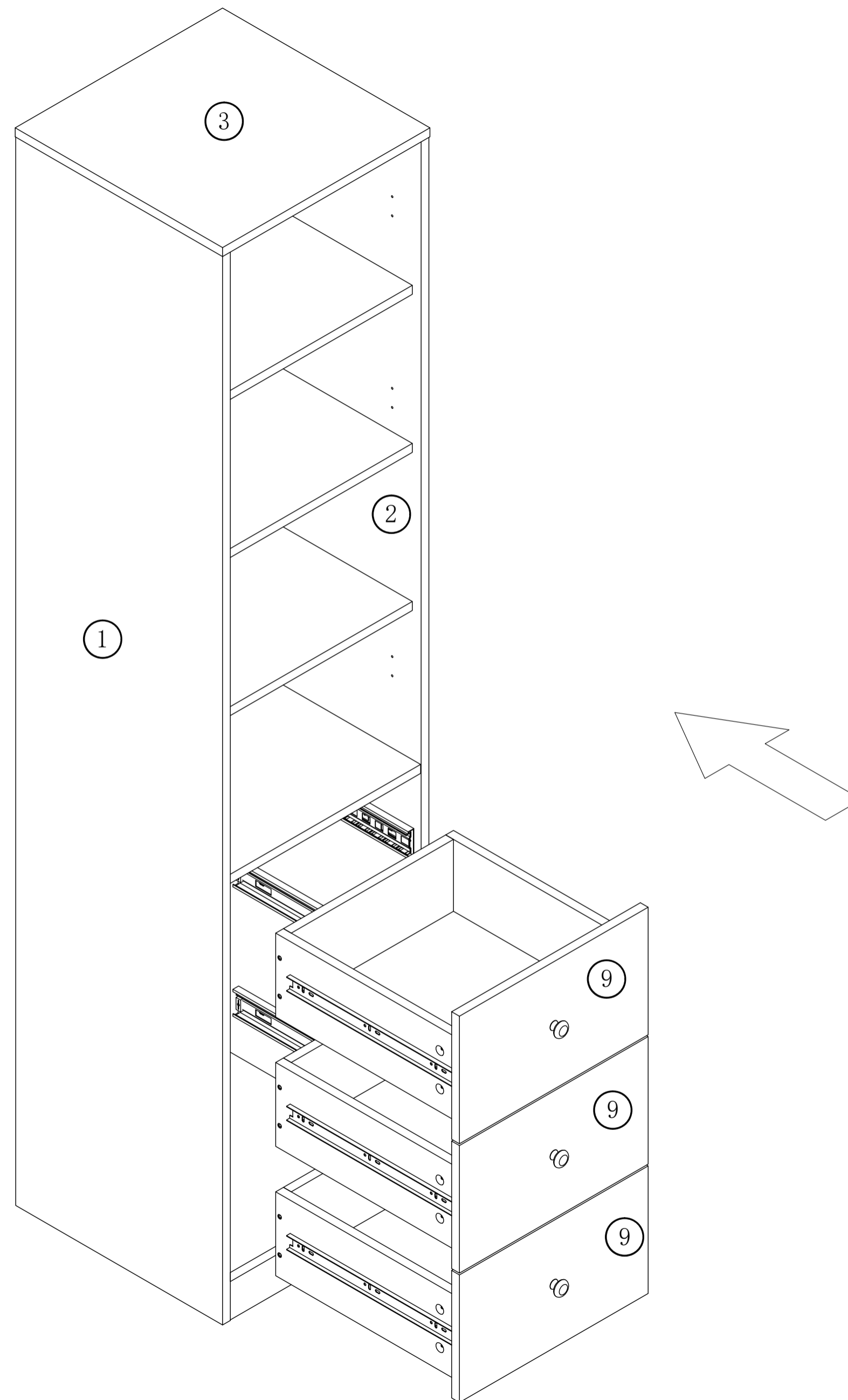
put B on board ⑩ ⑪  
 put K2 on board ⑩ ⑪

10

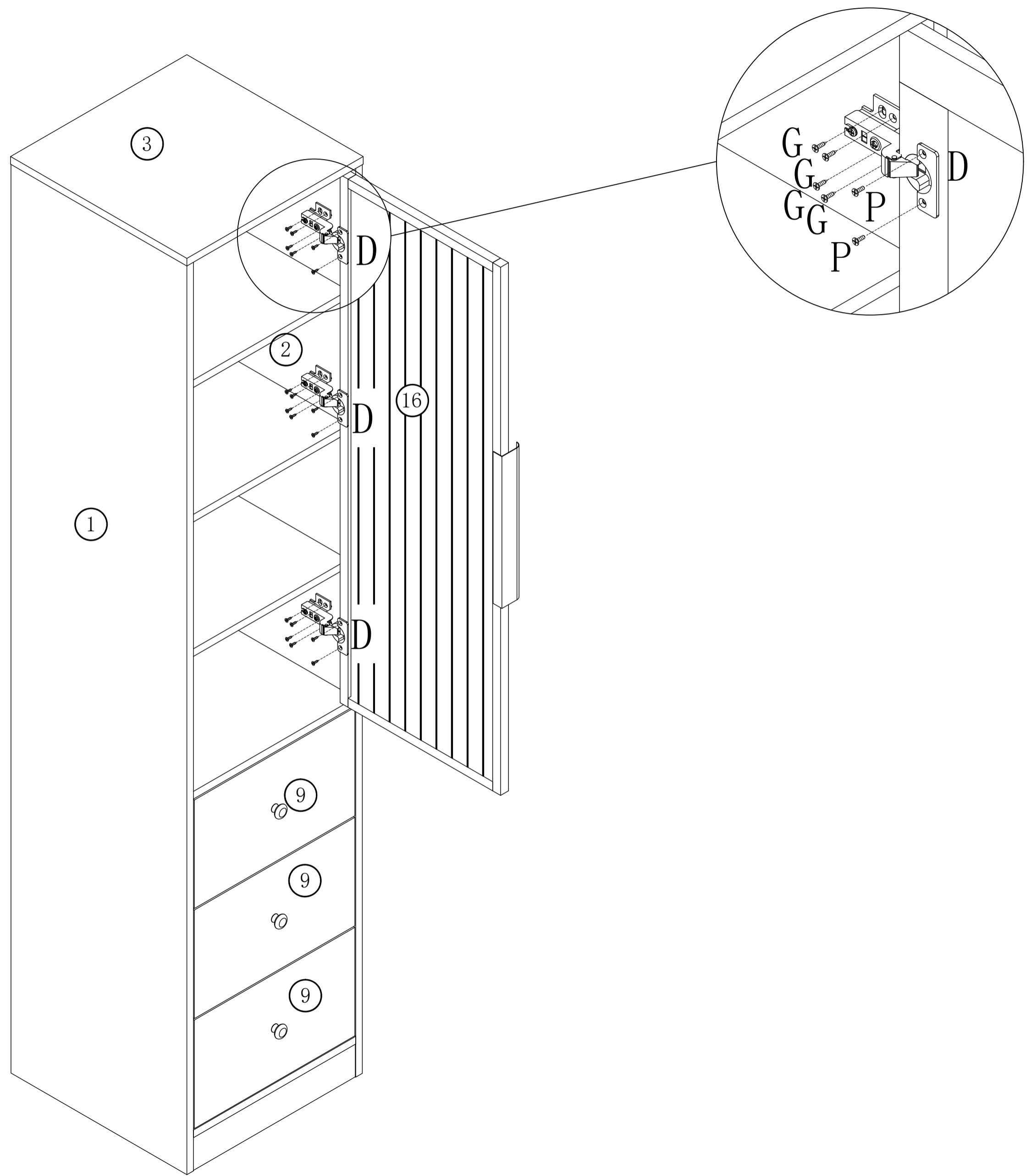


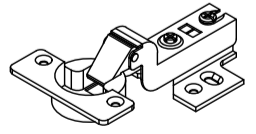
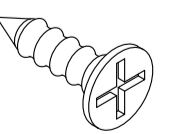
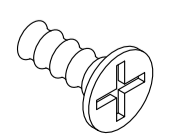
N\*24

11

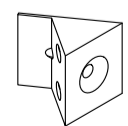
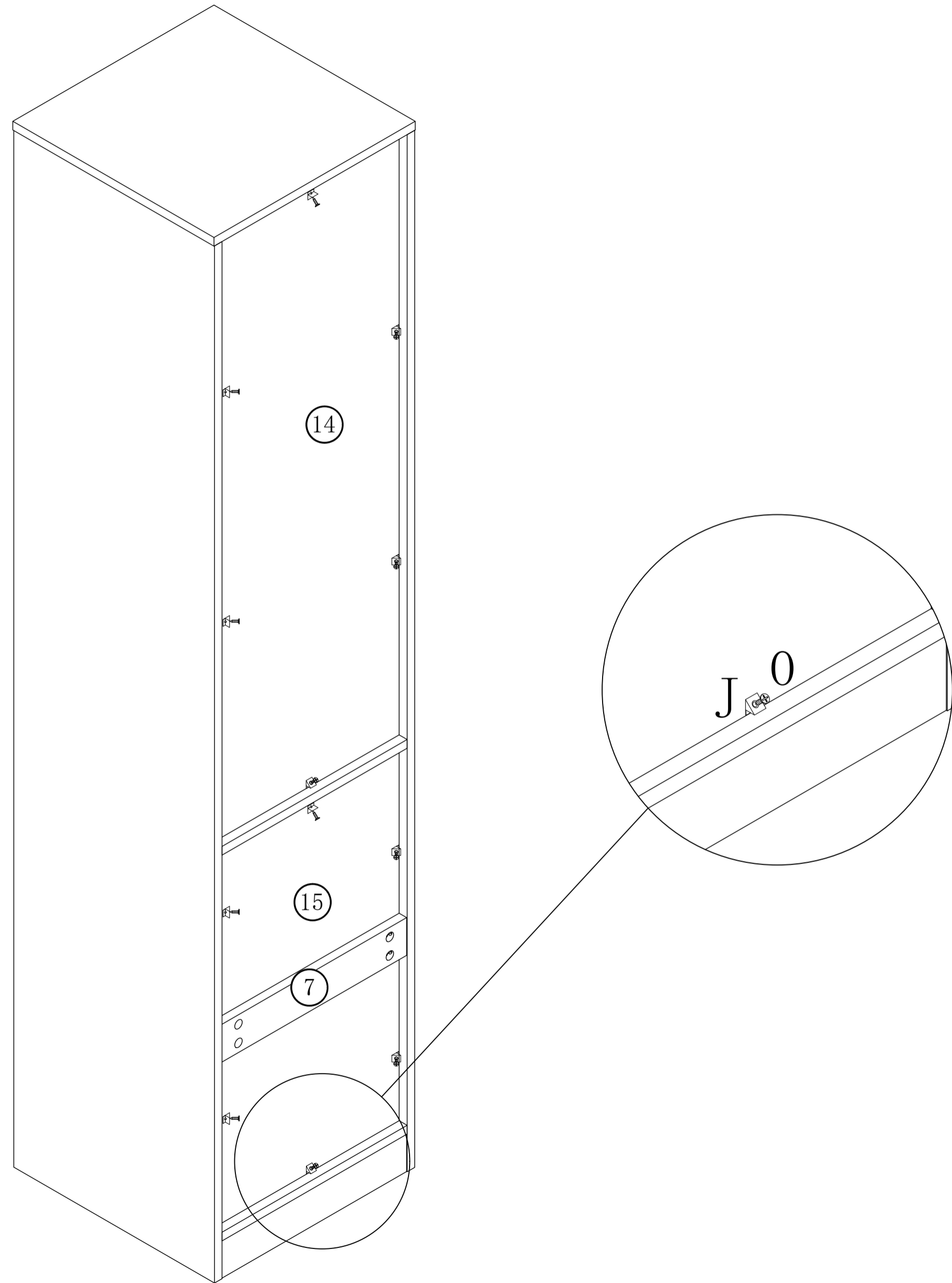


12

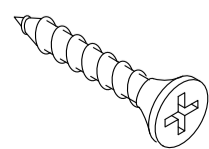


	D*3
	G*12
	P*6

13

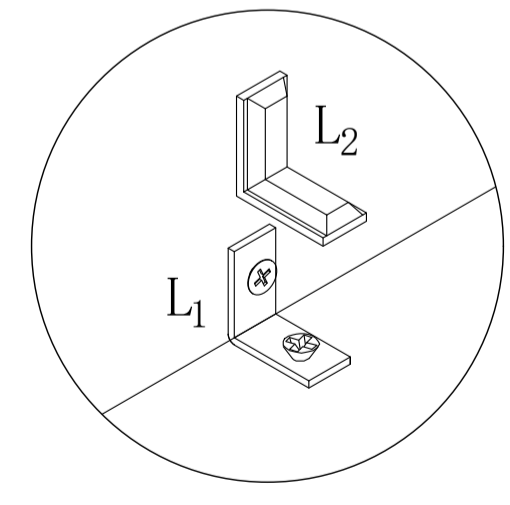
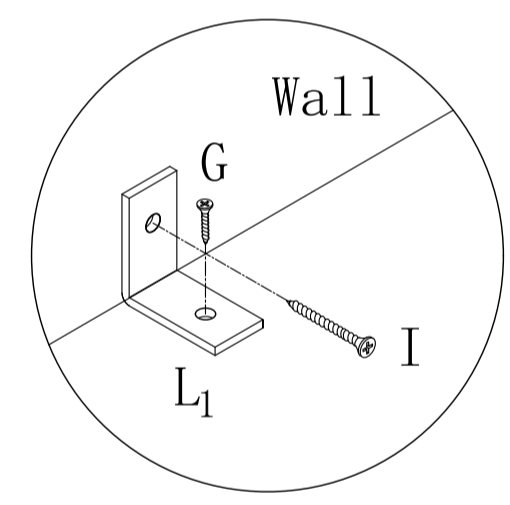
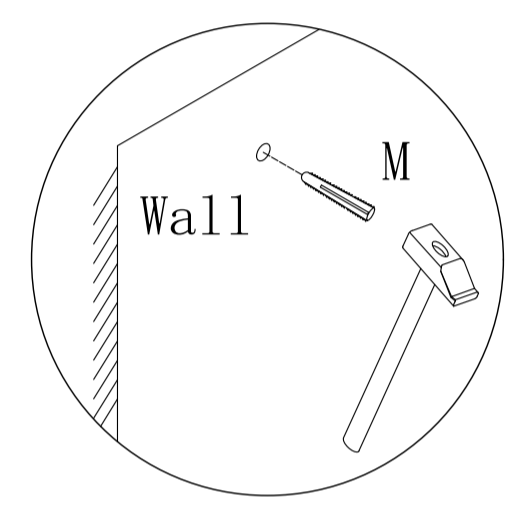
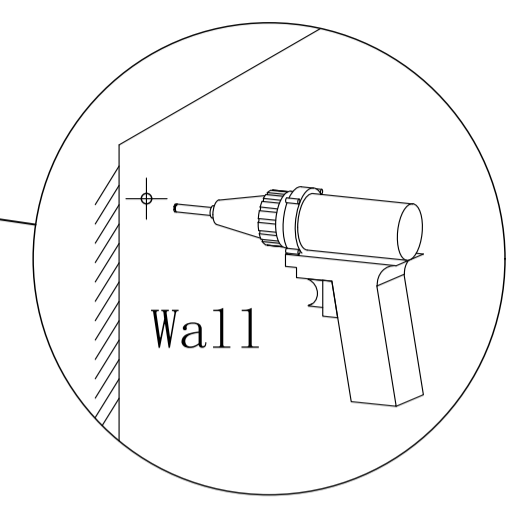
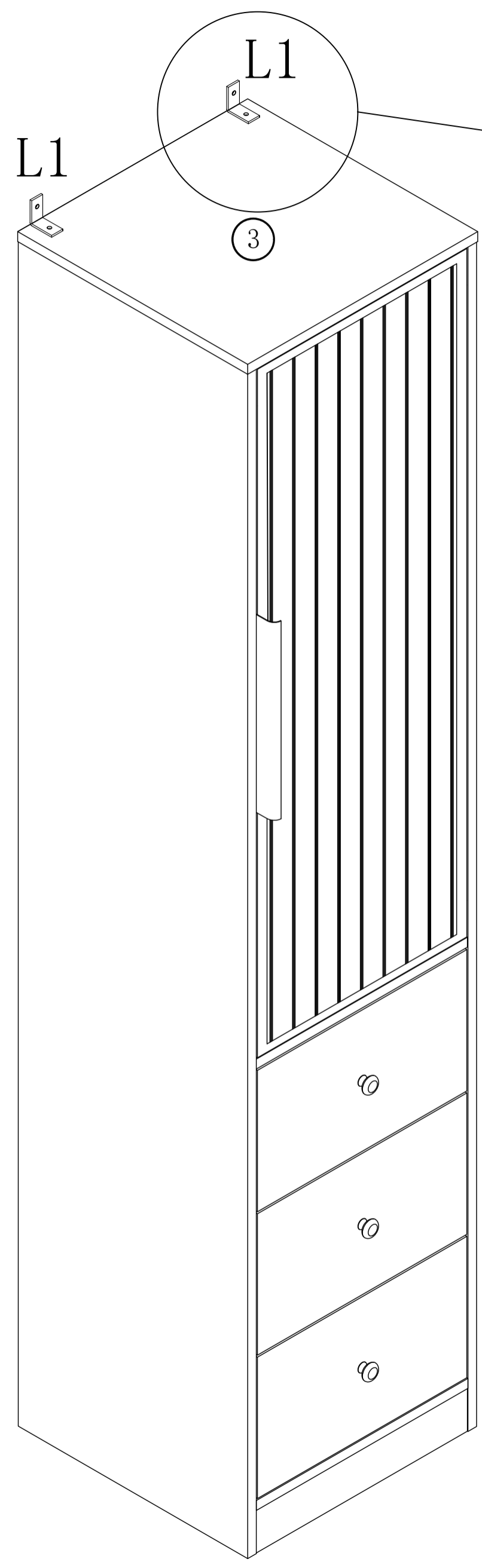


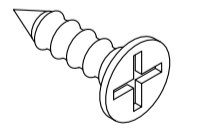
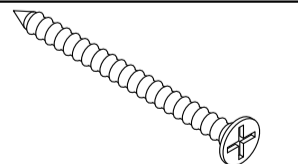
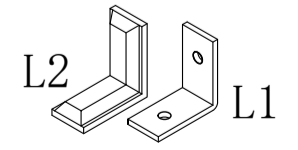
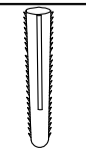
J\*12



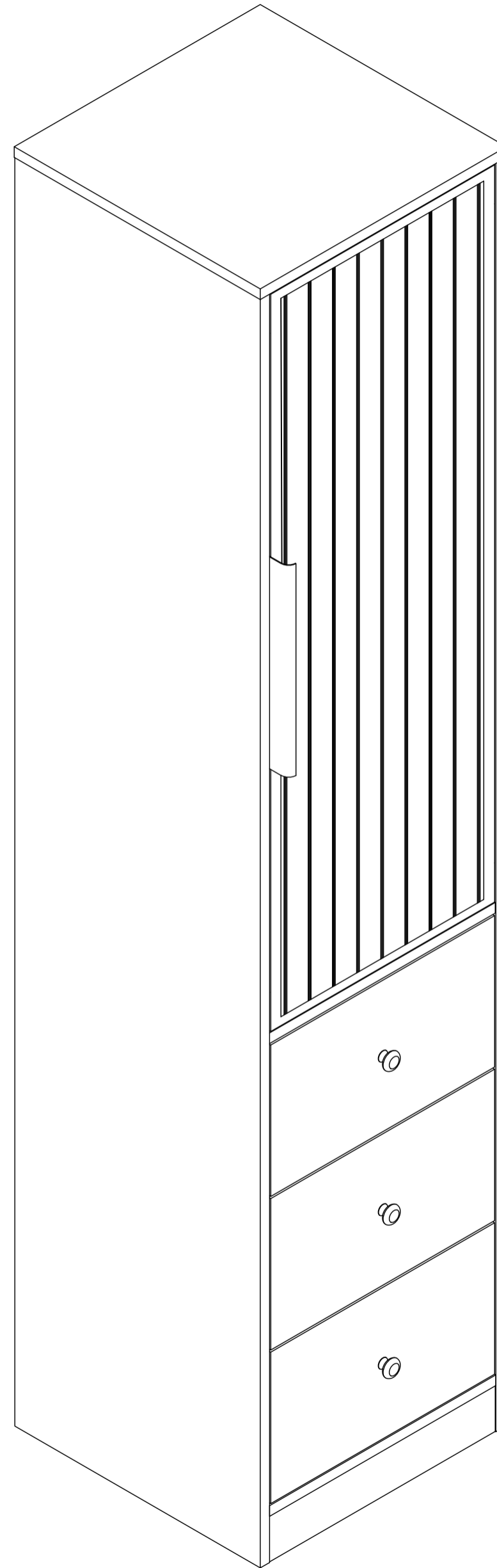
0\*12

14



	G*2
	I*2
	L*2
	M*2

15



END