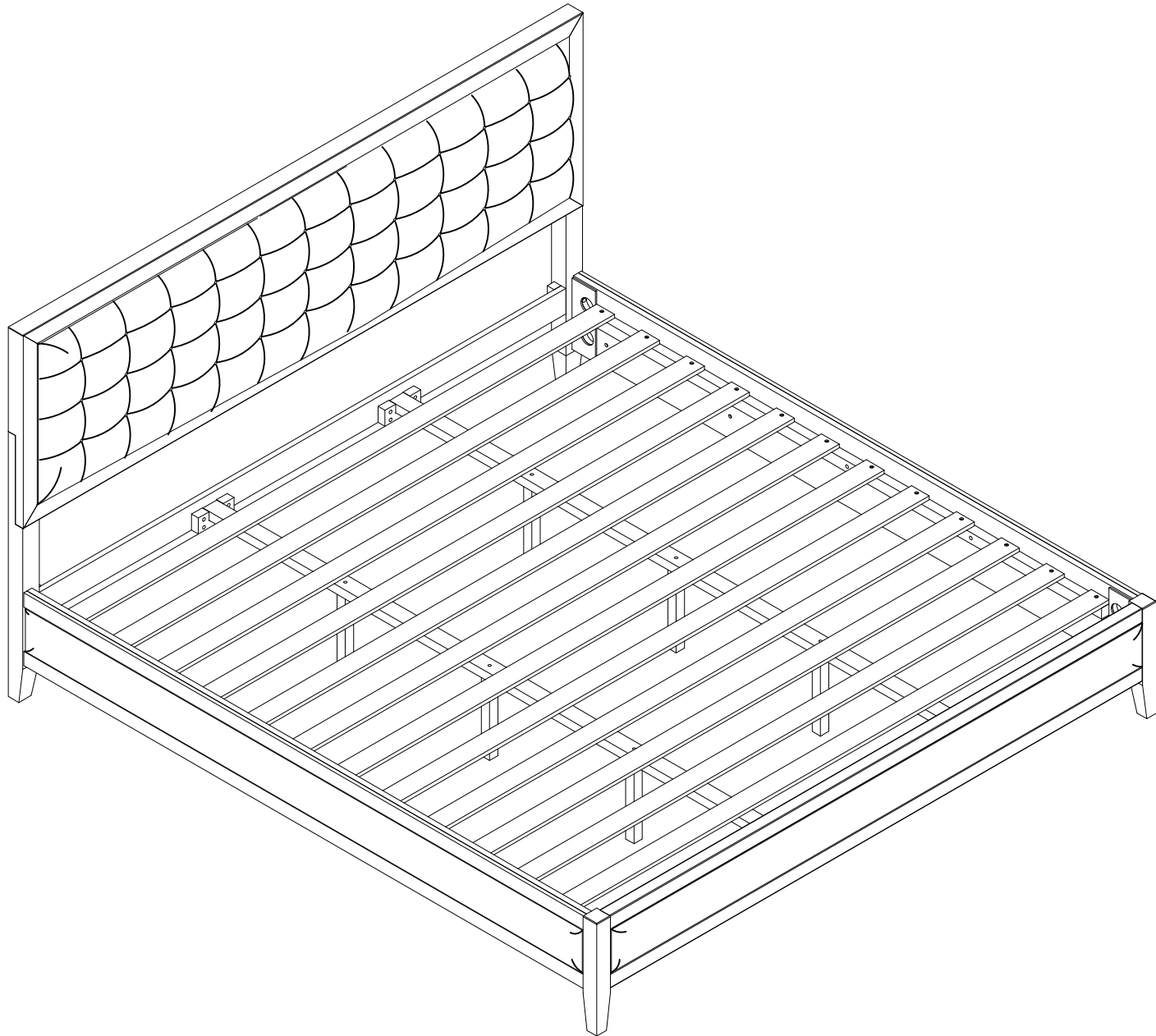


Owner Manual

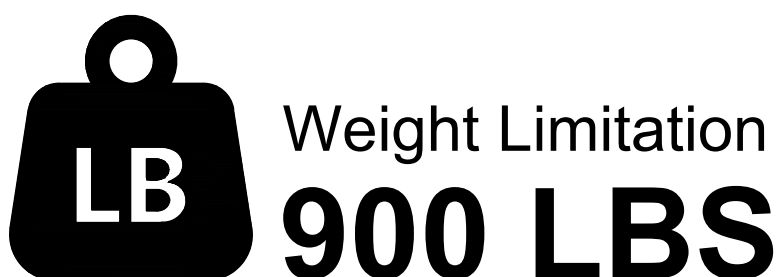


NOTE:

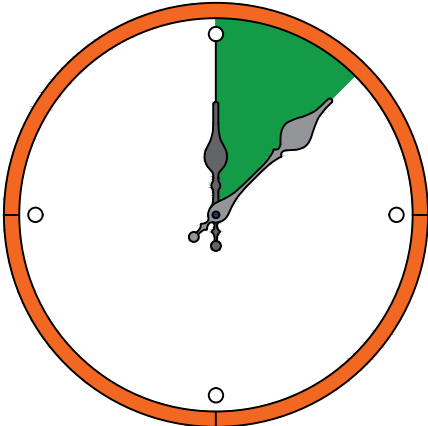
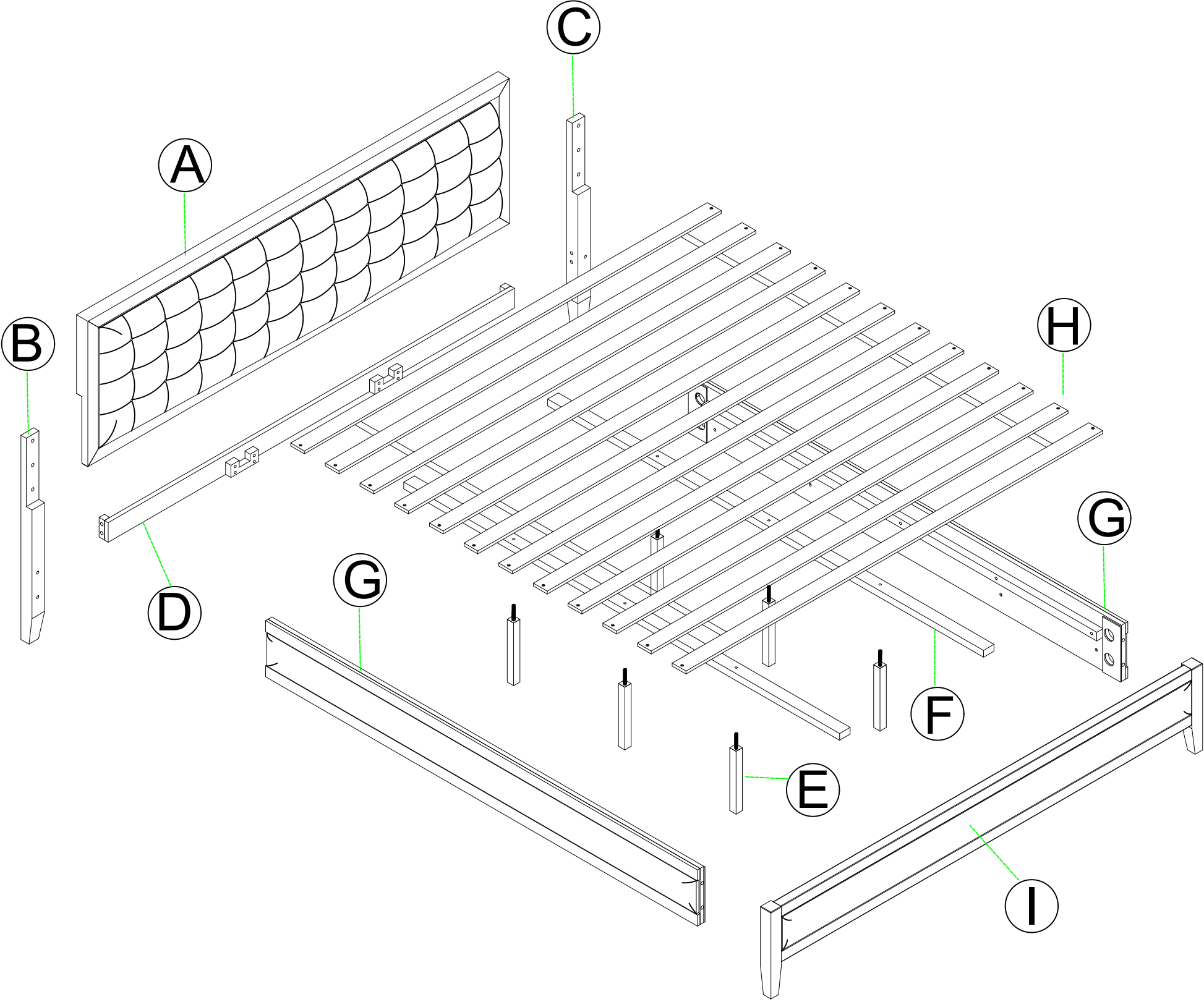
This brochure contains **IMPORTANT** safety info. Please read and keep for future reference.

MAINTENANCE AND WARNING

- .Keep furniture away from heat sources.
- .Do not clean furniture with harsh cleaner or polishes.Do not use detergents,solvents,abrasives,spray packs or leather cleaner. Use non-color mild soa with warm water to clean spills(Mix 1:10 soap to water).
- .Do not place furniture under direct sunlight,material will possibly fade over time.
- .Do not use on site dry cleaning machine.Children should not climb or jump on the furniture.
- .Do not write on furniture that is not protectedby a padded barrier.
- .Not for commercial use,only for residential use.

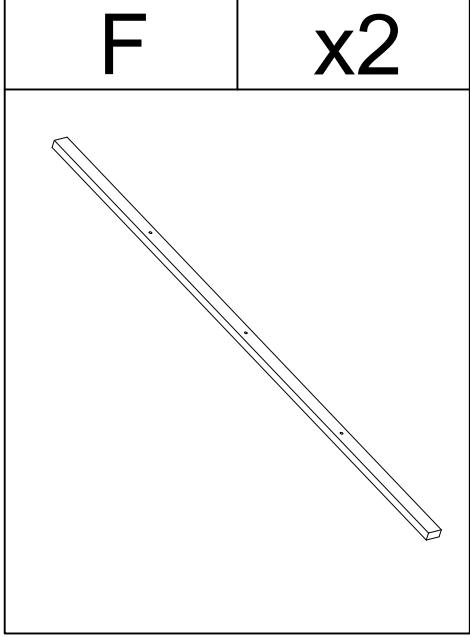
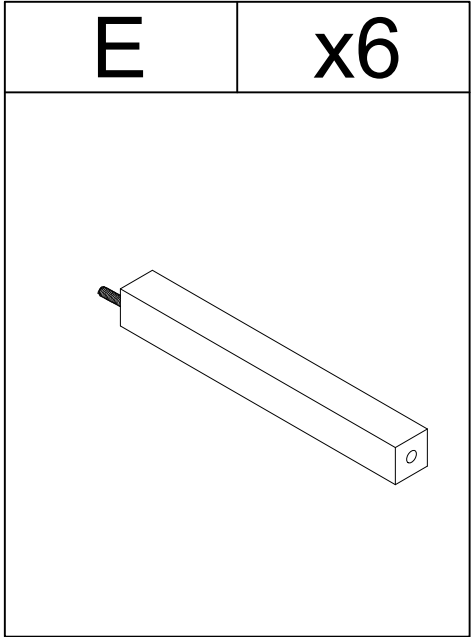
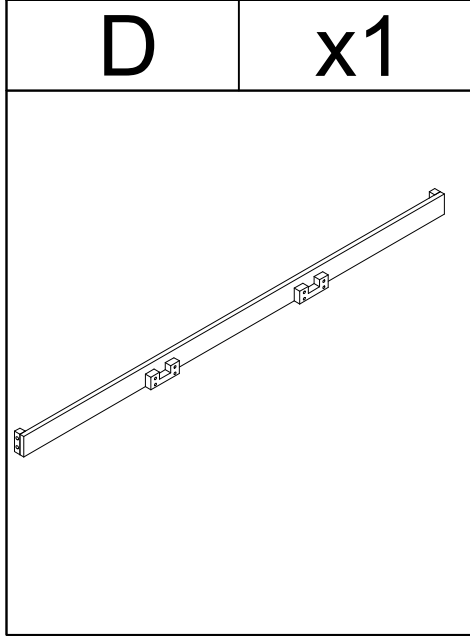
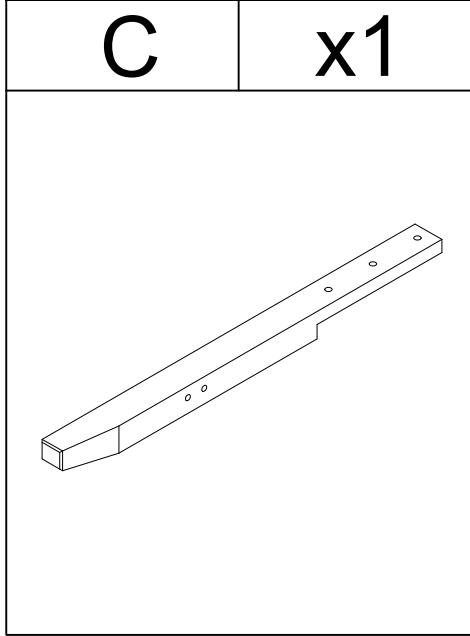
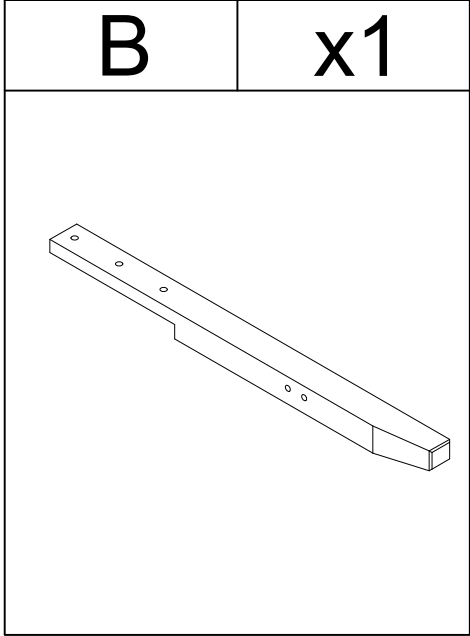
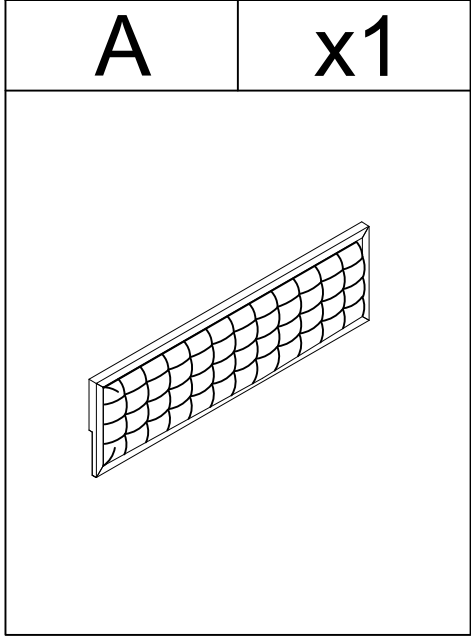


EXPLOSIVE VIEW

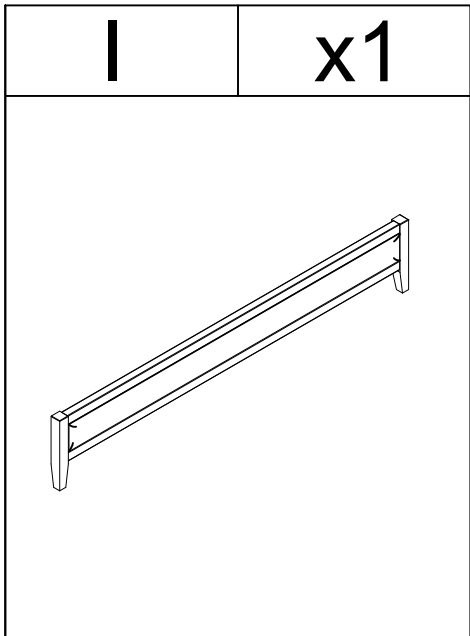
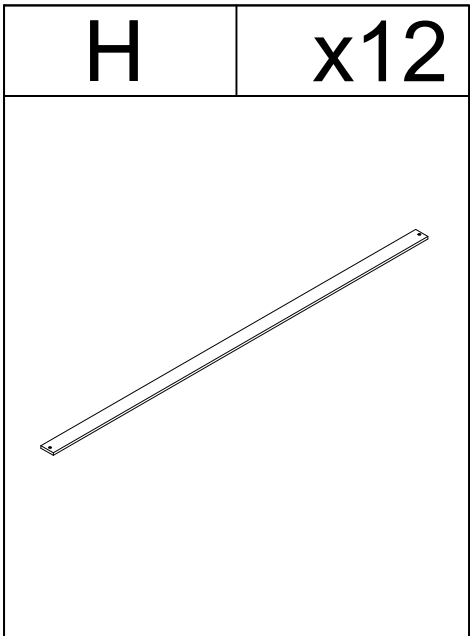
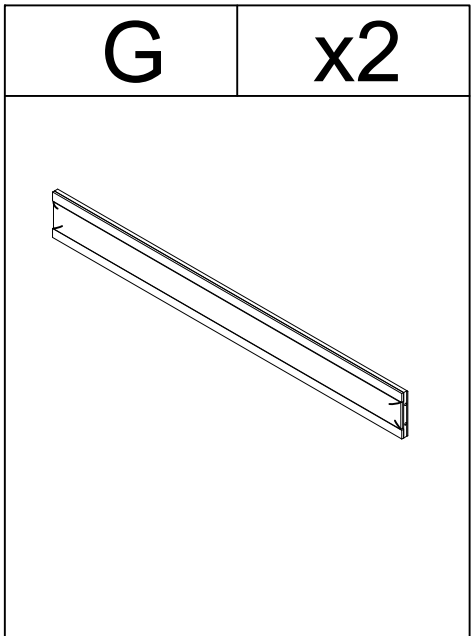


Around 45 min
03/12

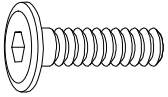
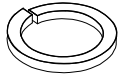
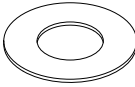

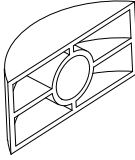
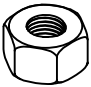
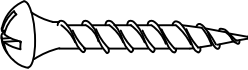
BDJE1095-KB-A PARTS LIST



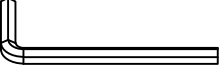
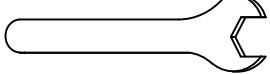
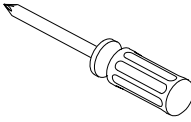
BDJE1095-KB-B PARTS LIST



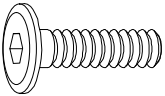
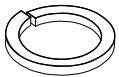
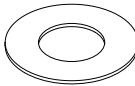

HARDWARE LIST (BDJE1095-KB-A)

#1	x10	#2	x10	#3	x10	#4	x8	#5	x8	#6	x8
											
φ5/16x1-1/2"		φ5/16		φ5/16		φ5/16x3-1/2"		φ5/16		φ5/16	
#7	x28										
											
#8x1"											

TOOL LIST (BDJE1095-KB-A)

#8	x1	#9	x1	#10	x1
					
M4		12			

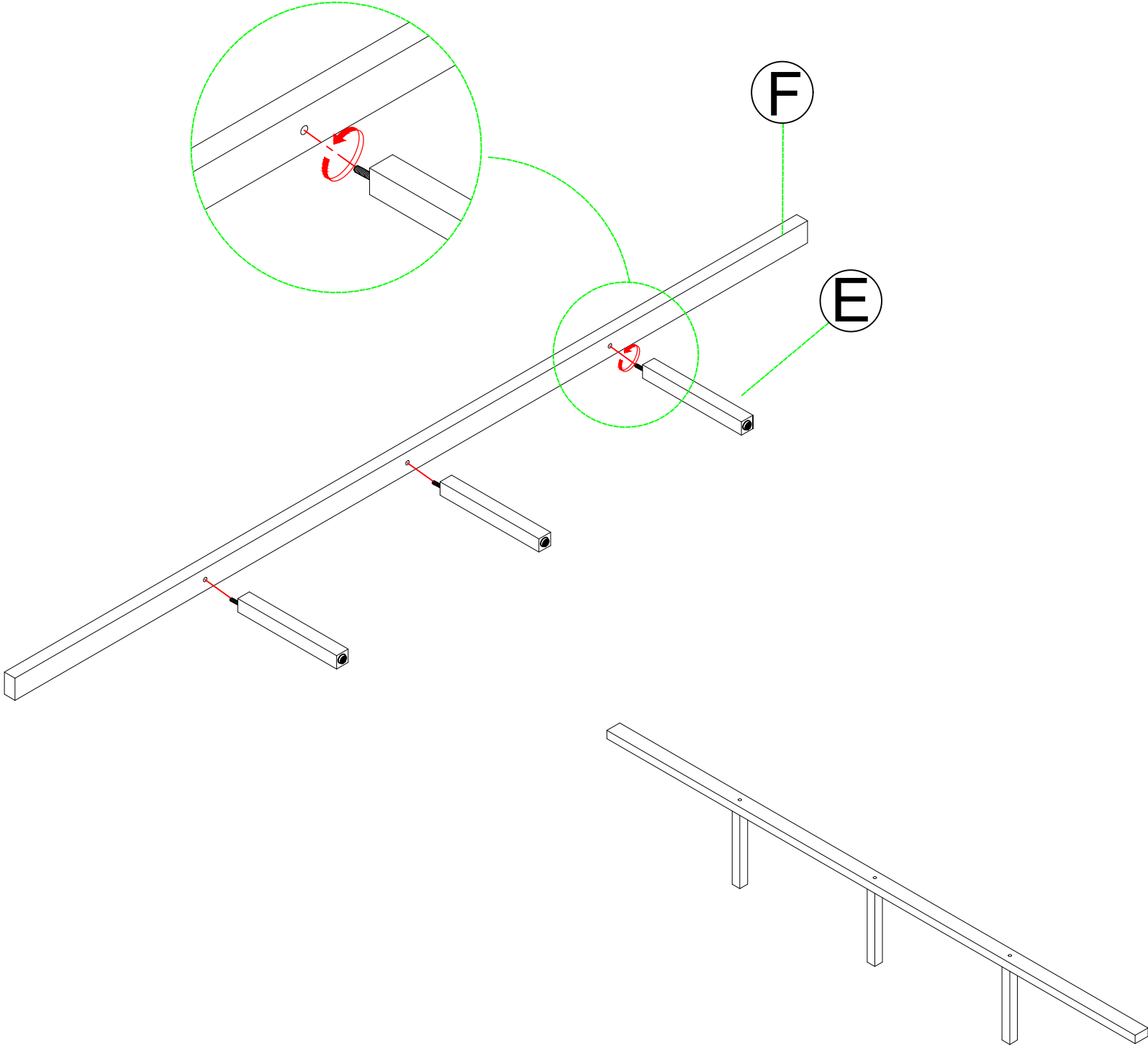
HARDWARE SPARE LIST (BDJE1095-KB-A)

#1	x1	#2	x1	#3	x1	#7	x3
							
φ5/16x1-1/2"		φ5/16		φ5/16		#8x1"	

ASSEMBLY INSTRUCTIONS

STEP-1

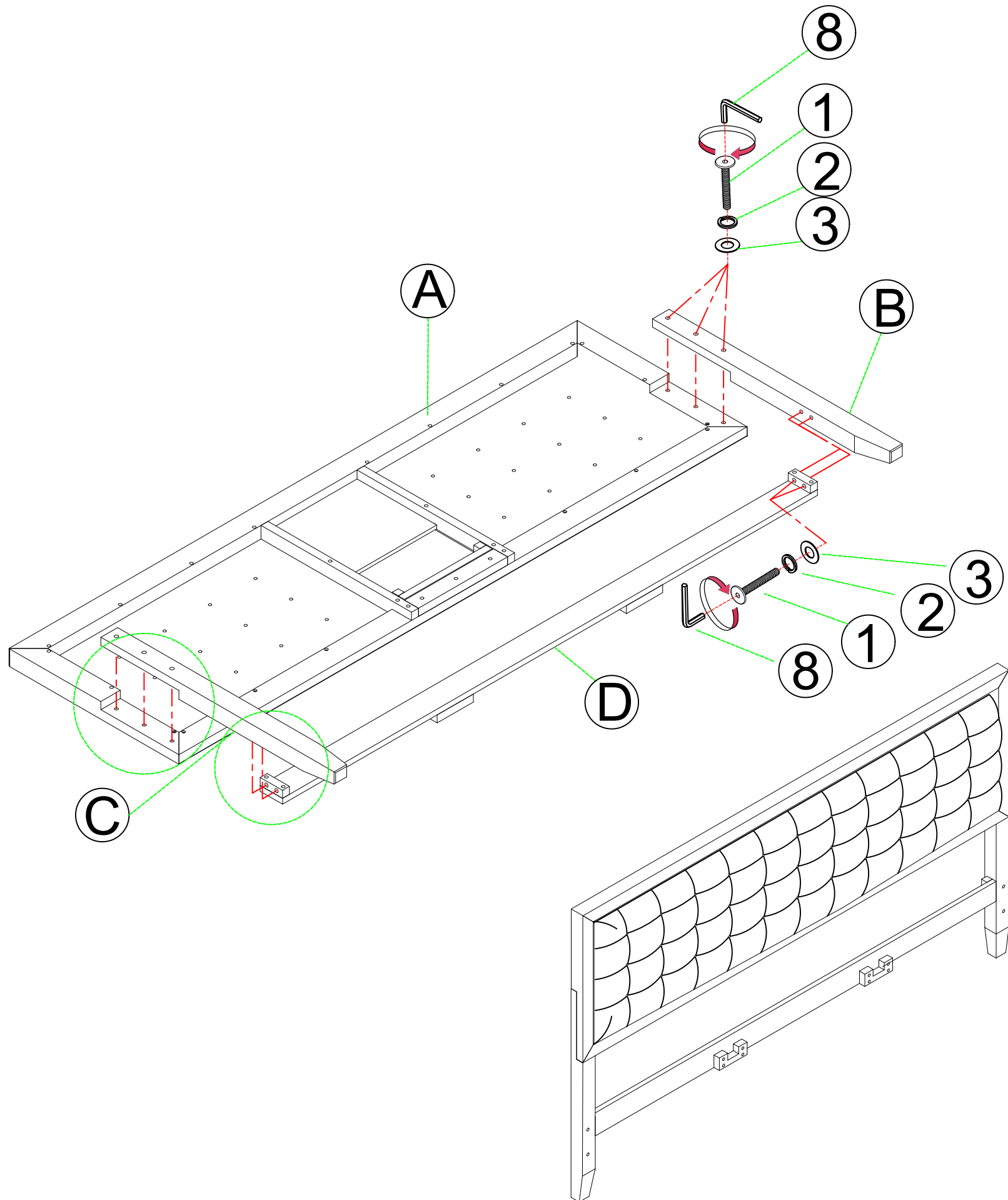
Align the Support leg (E) to the Support bar (F), then secure by screwing the Support leg (E).


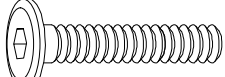
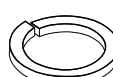
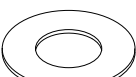


ASSEMBLY INSTRUCTIONS

STEP-2

Align Leg (B),(C) to the Back headboard (A), Connet lower bar (D) then secure by using Bolts (1) with Washers (2,3).

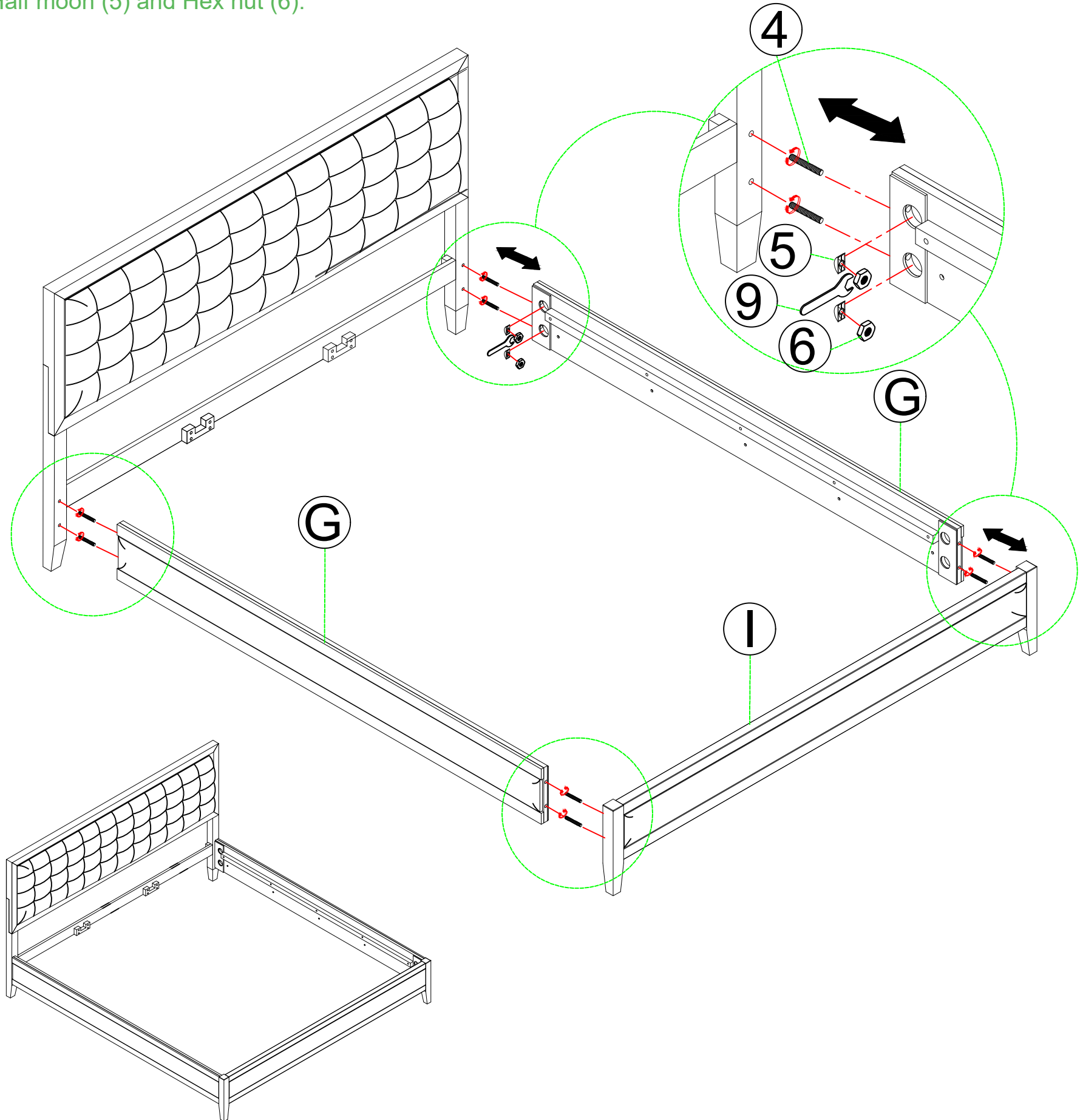


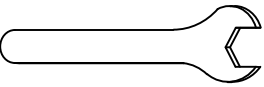

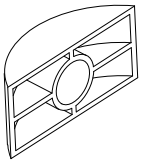
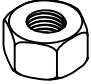
#8	x1	#1	x10	#2	x10	#3	x10
							
M4		φ5/16x1-1/2"		φ5/16		φ5/16	

ASSEMBLY INSTRUCTIONS

STEP-3

Align sideboard (G) to the headboard frame and footboard, Connet sideboard (G) then secure by using Bolts (4) with Half moon (5) and Hex nut (6).

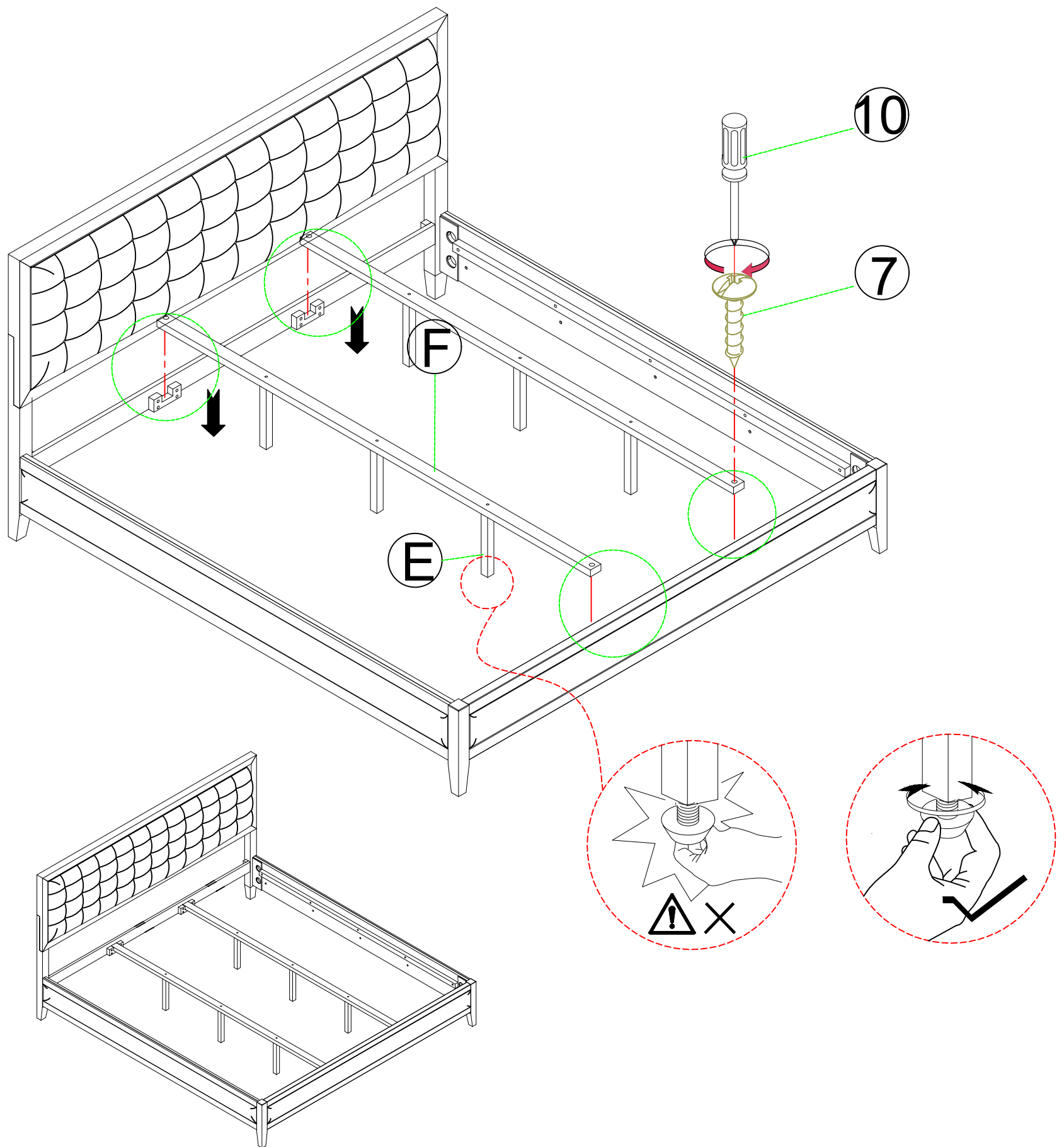


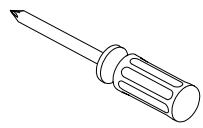
#9	x1	#4	x8	#5	x8	#6	x8
							
12		φ5/16x3-1/2"		φ5/16		φ5/16	

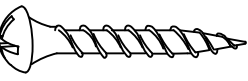
ASSEMBLY INSTRUCTIONS

STEP-4

Align the Support bar (F) to the Head of bed (A) and the Back of bed (I), then secure by using Screw (7).



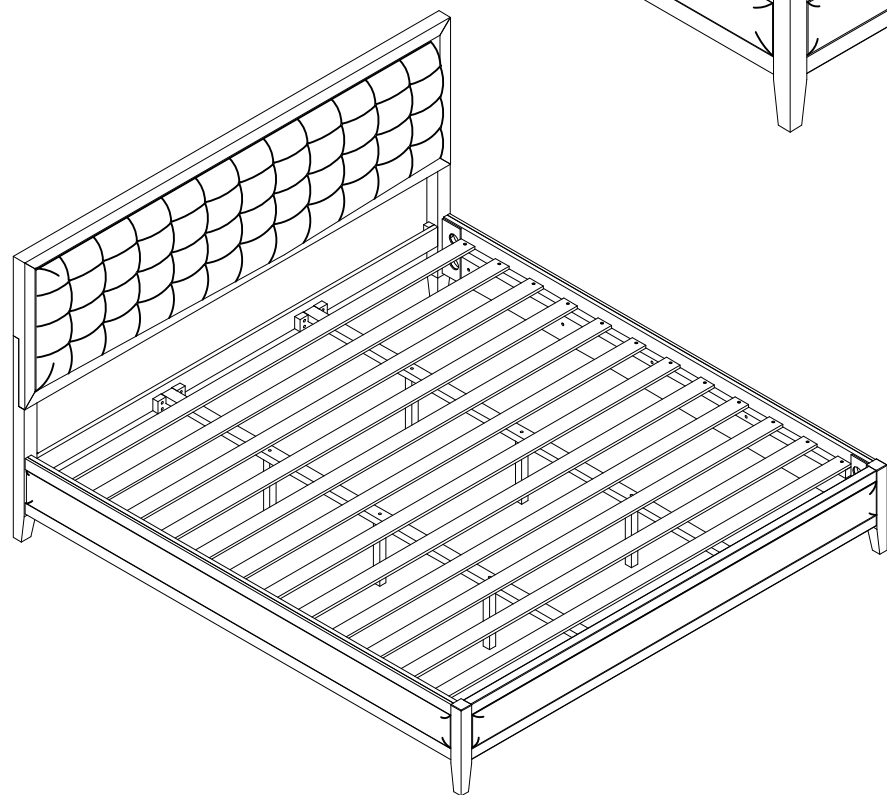
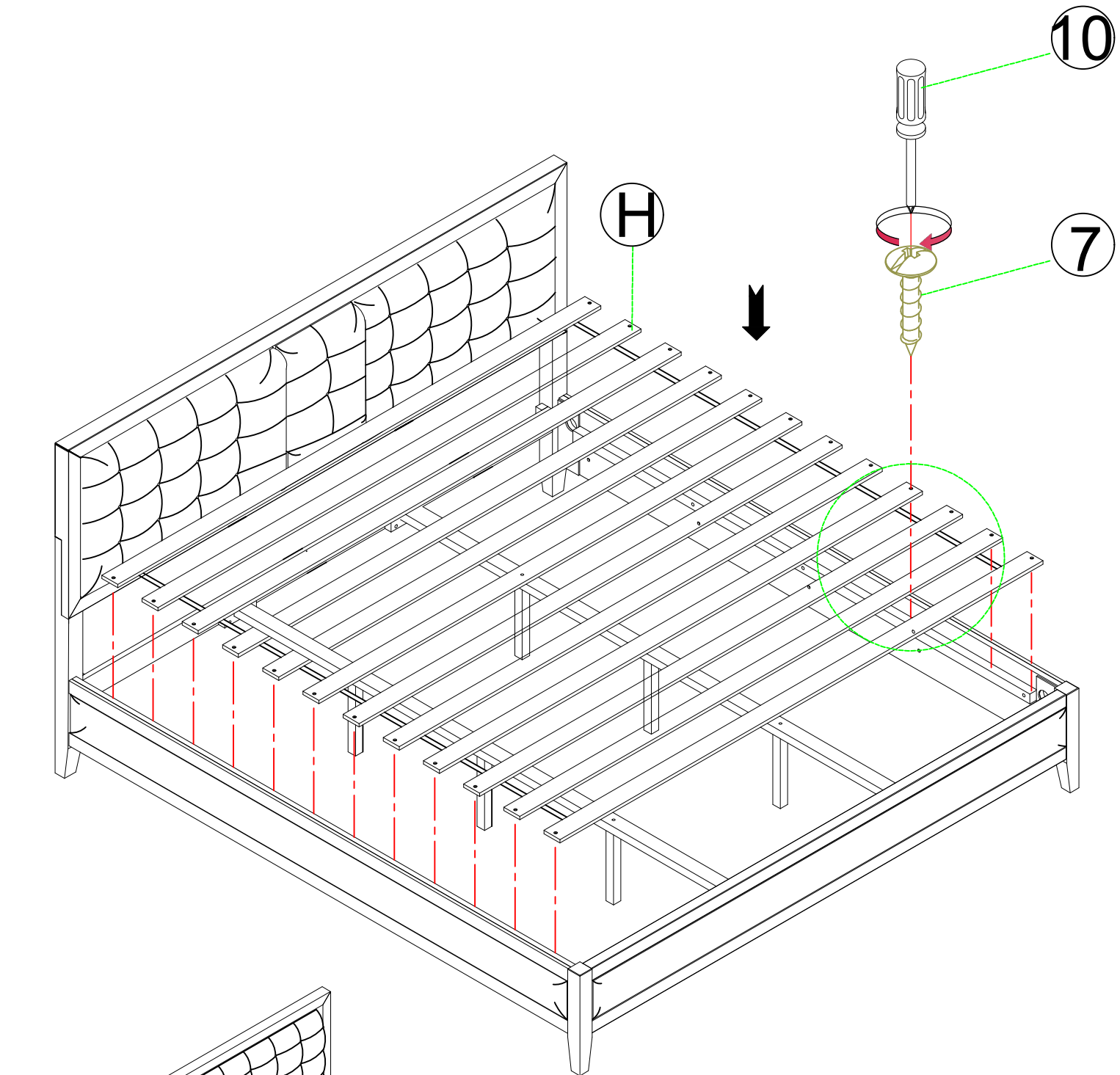
#10	x1
	

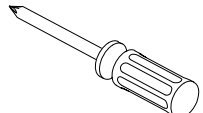
#7	x4
	
#8x1"	

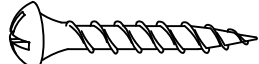
ASSEMBLY INSTRUCTIONS

STEP-5

Align the Bed slats (H) to the Side of bed (G) then secure by using Screw(7).



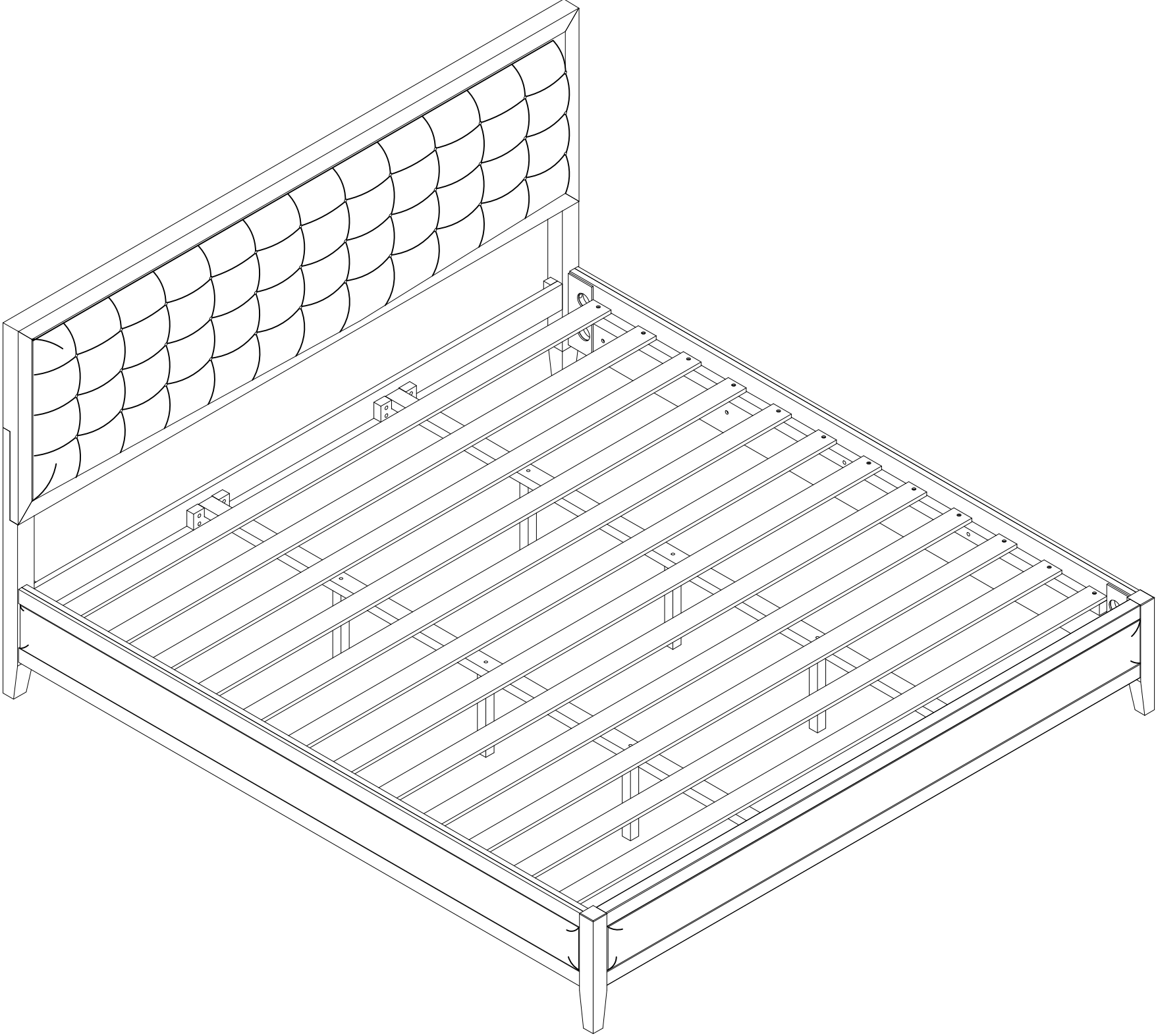
#10	x1
	

#7	x24
	
#8x1"	

ASSEMBLY INSTRUCTIONS

STEP-6

Complete.



WARRANTY

1. We strive to offer high-quality products, and we also try our best to satisfy each and every customer that orders from us with product or service as needed.
2. We provide 30 days warranty starting from the time you receive the item. Each customer must provide a record of their order such as the order number, or item receipt for any items that are out of the warranty period you may also still receive.
3. Replacement parts by purchasing them with our company if they are available.