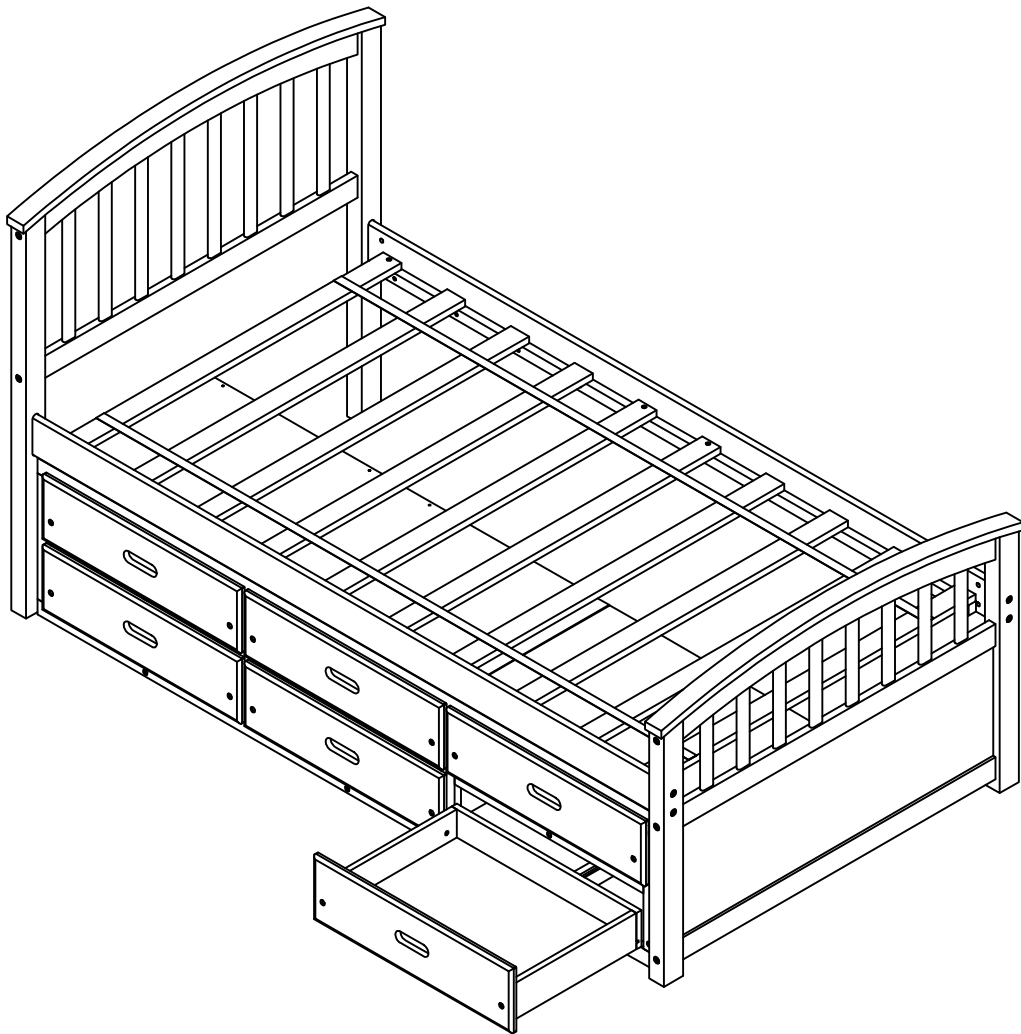
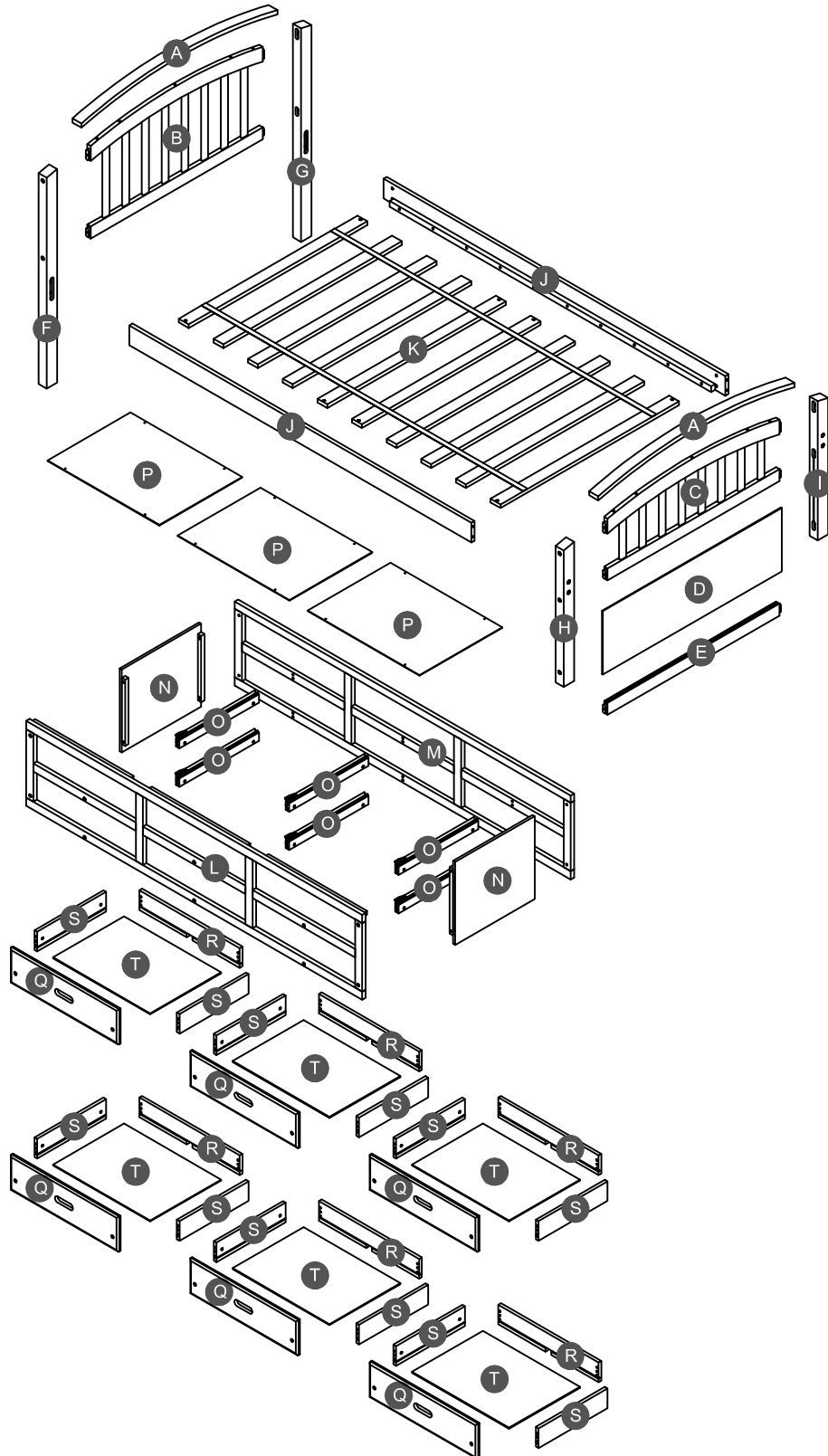


ASSEMBLY INSTRUCTIONS


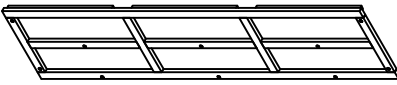
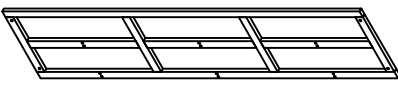
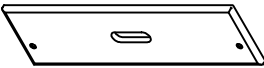

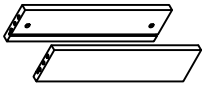


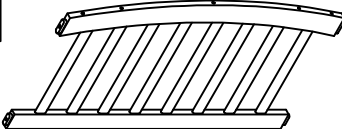
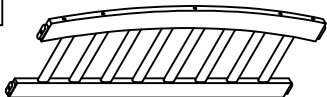
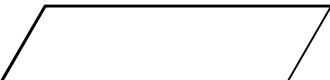
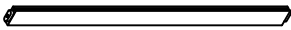


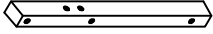
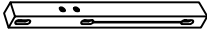
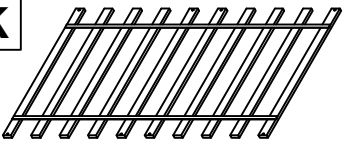
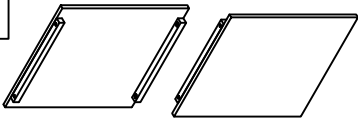
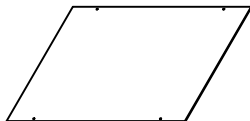

STORAGE BED



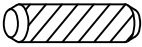
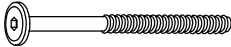

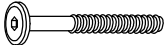


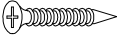




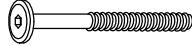
Detail View



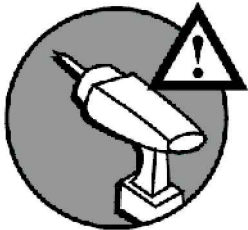
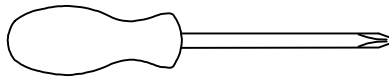
Part List

<p>J</p>  <p>Side rail(Back & Front)-2pcs</p>	<p>L</p>  <p>Front panel - 1pc</p>	<p>M</p>  <p>Back panel - 1pc</p>
<p>Q</p>  <p>Drawer front - 6pcs</p>	<p>R</p>  <p>Drawer back - 6pcs</p>	<p>S</p>  <p>Drawer (left & right) - 12pcs</p>
<p>O</p>  <p>Lower slider drawer (6pcs)</p>		
<p>A</p>  <p>Cap for HB & FB -2pcs</p>	<p>B</p>  <p>Headboard - 1pc</p>	<p>C</p>  <p>Footboard - 1pc</p>
<p>D</p>  <p>Side panel - 1pc</p>	<p>E</p>  <p>Horizontal bar - 1pc</p>	<p>F</p>  <p>Leg headboard (Left) - 1pc</p>
<p>G</p>  <p>Leg headboard (Right) - 1pc</p>	<p>H</p>  <p>Leg footboard (Left) - 1pc</p>	<p>I</p>  <p>Leg footboard (Right) - 1pc</p>
<p>K</p>  <p>Slats - 1set (10pcs)</p>	<p>N</p>  <p>Left & right side panel -2pcs</p>	<p>P</p>  <p>Top panel - 3pcs</p>
<p>T</p>  <p>Drawer bottom - 6pcs</p>		

Hardware List



1  Ø8*30mm	2  (Ø15)1/4"*100mm	3  (Ø12)1/4"*70mm
Wood dowel (54pcs)	Hex-Head bolts (10pcs)	Hex-Head bolts (4pcs)
4  (Ø12)1/4"*60mm	5  (Ø12)1/4"*35mm	6  1/4"*15 (9.5mm)
Hex-Head bolts (36pcs)	Hex-Head bolts (8pcs)	Horizontal-Hole bolts(54pcs)
7  Ø4*30mm	8  400*30mm	9  (1/4")4.5*58mm
Wood screws (8pcs)	Upper slider drawer (6pcs)	Allen key (1pc)
10  Ø3.5*12mm	11  Ø3.5*19mm	12  (Ø15)1/4"*80mm
Wood screws (18pcs)	Wood screws (12pcs)	Hex-Head bolts (8pcs)

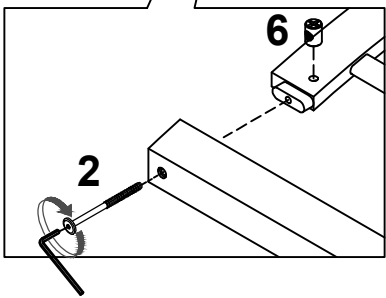
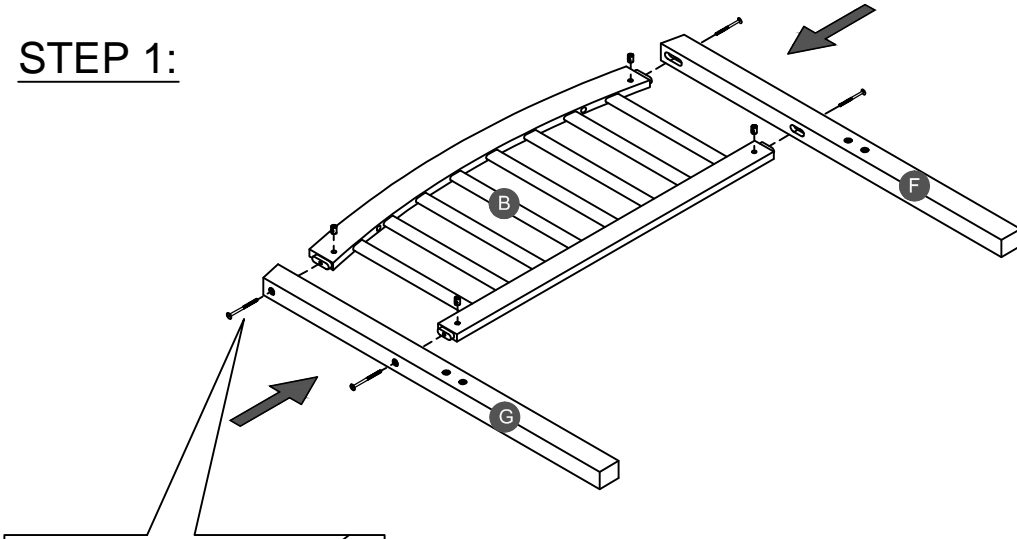
ASSEMBLY TOOLS REQUIRED (NOT INCLUDED)



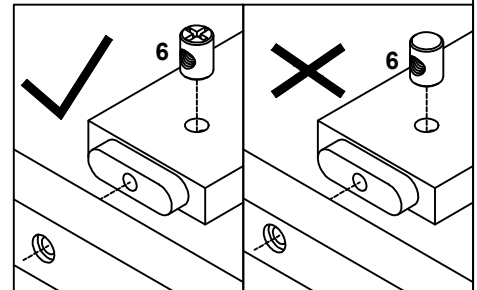
PLEASE BE CAREFUL DO NOT DAMAGE THE HOLE POSITION WHEN YOU USE POWER TOOLS !

STEP 1:



2		6	
4PCS		4PCS	

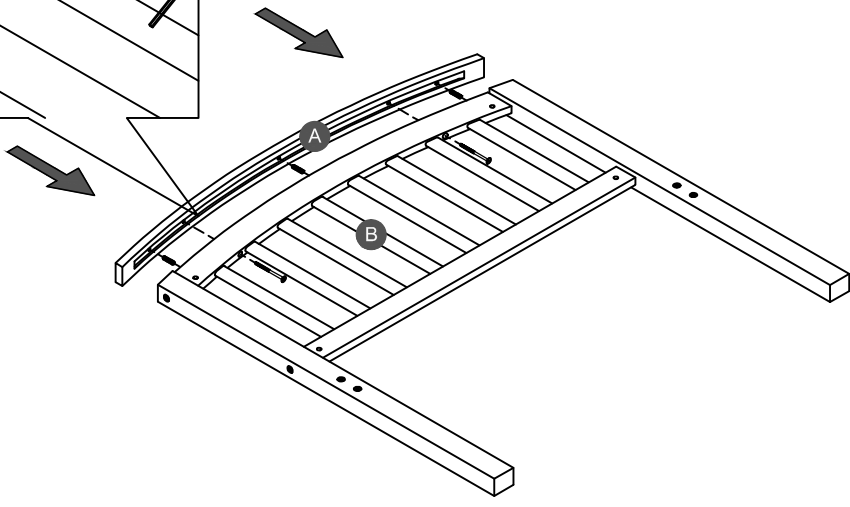
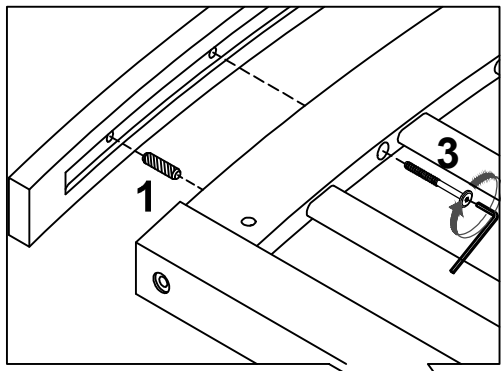


Note: Part 6 will face up with the "x" mark on it, otherwise it cannot be tightened

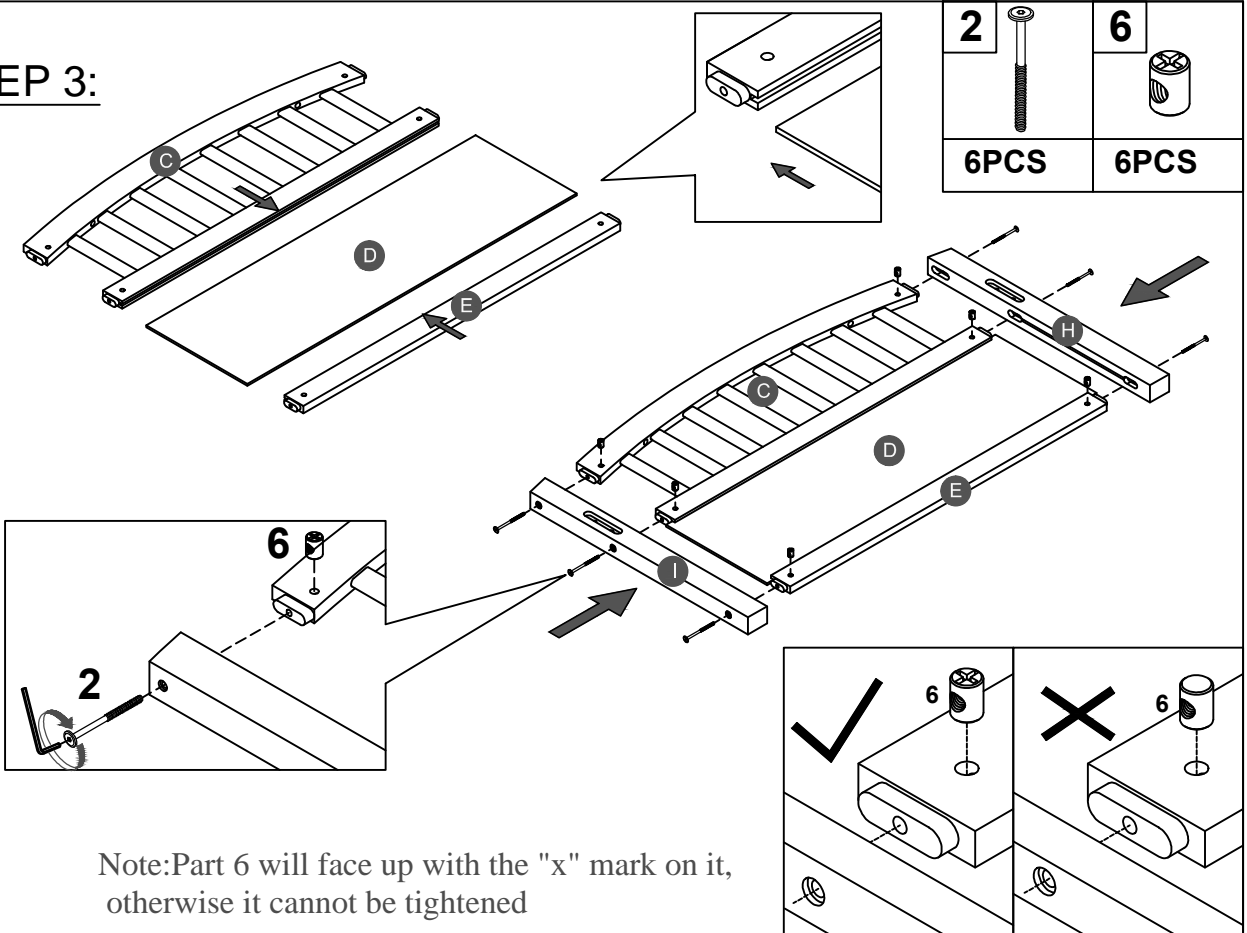


STEP 2:

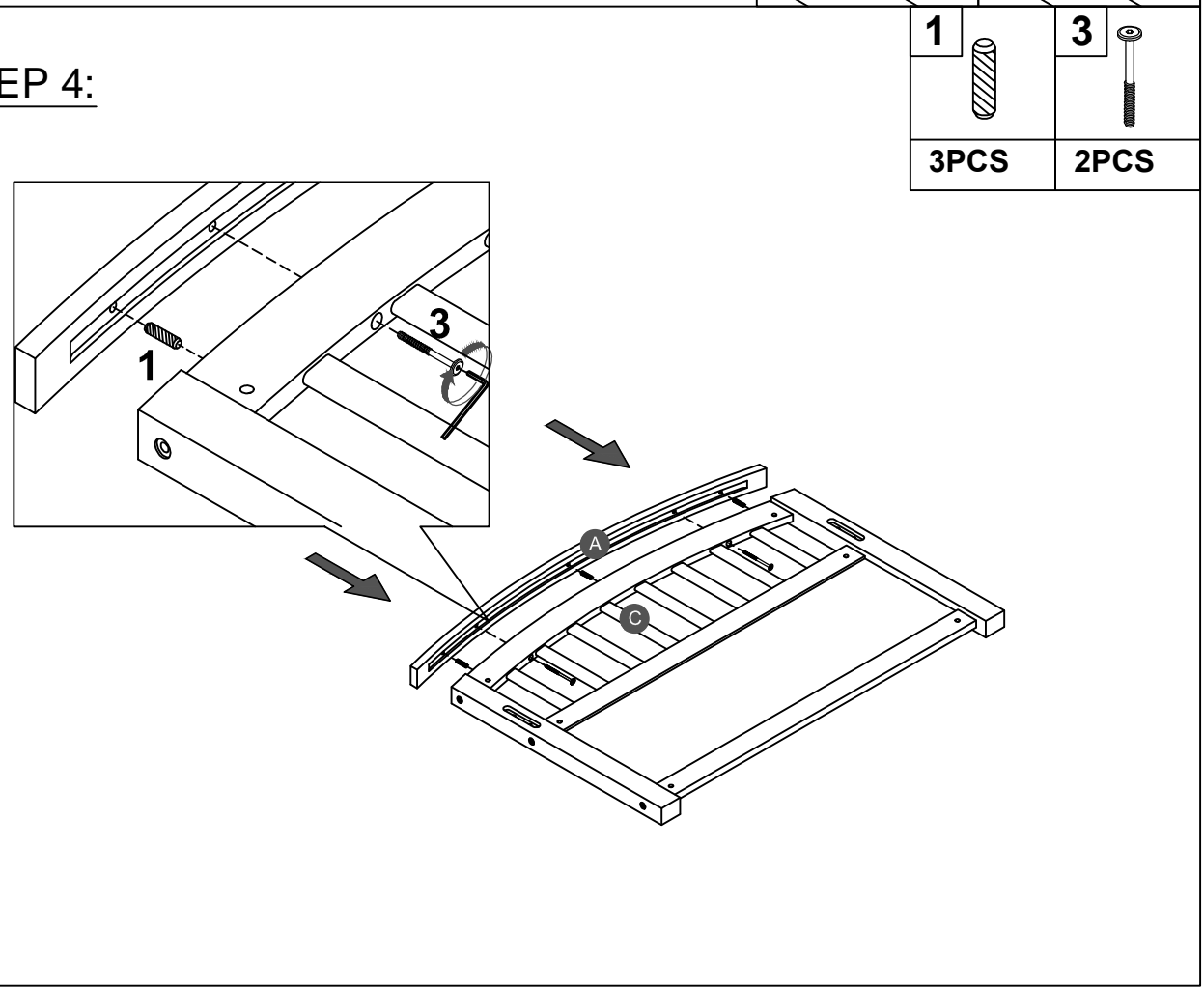
1		3	
3PCS		2PCS	



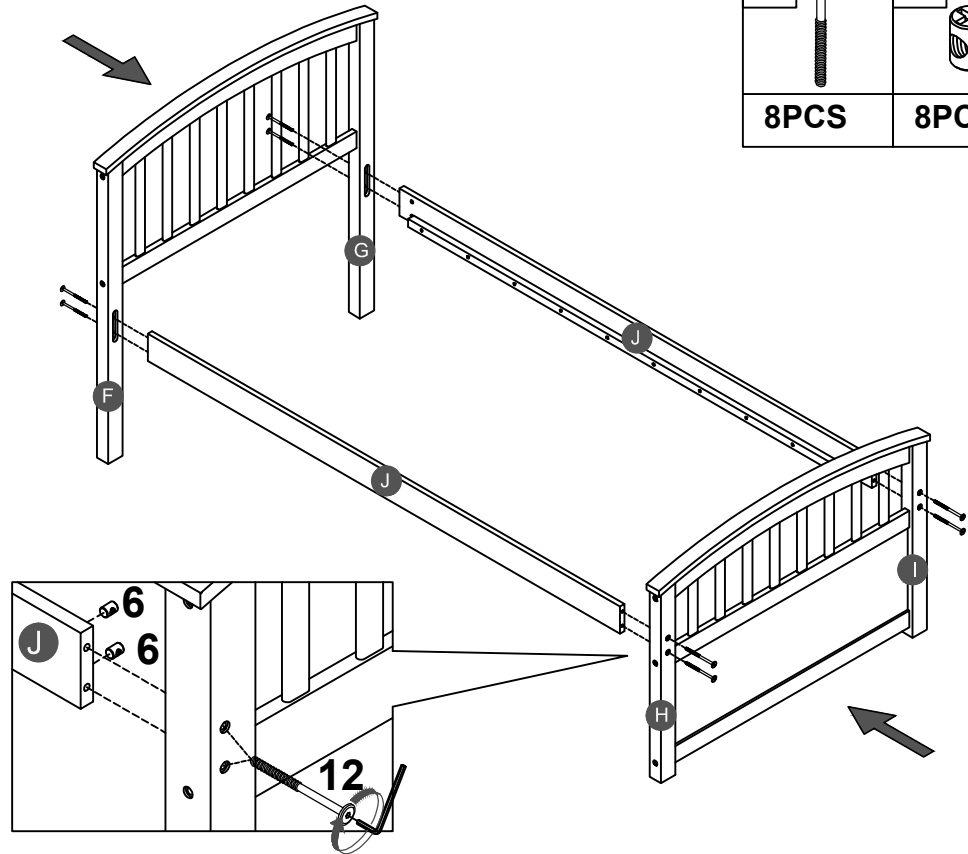
STEP 3:





STEP 4:

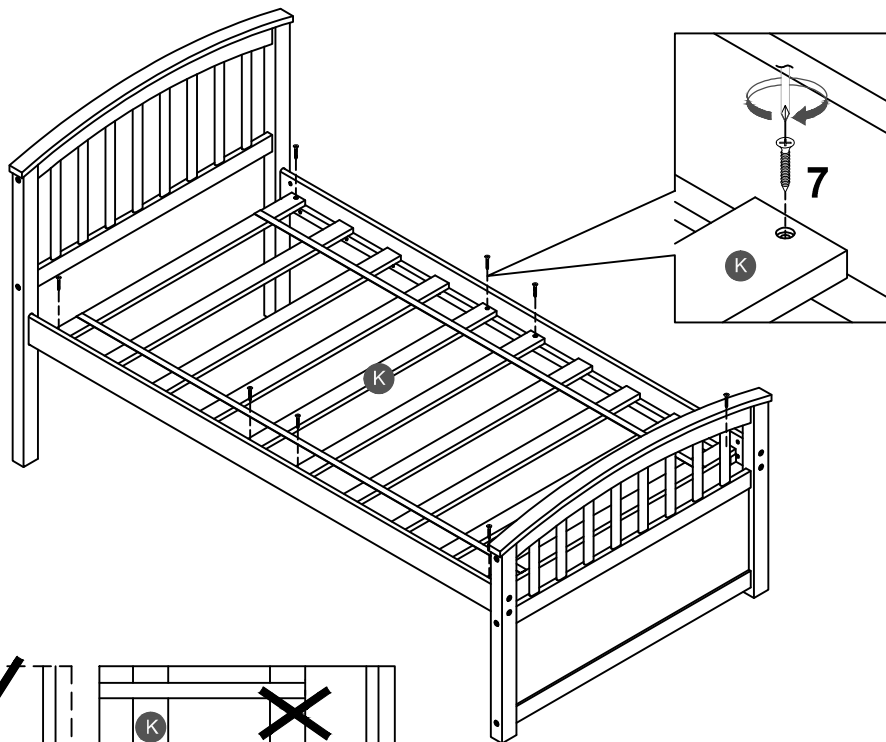



STEP 5:

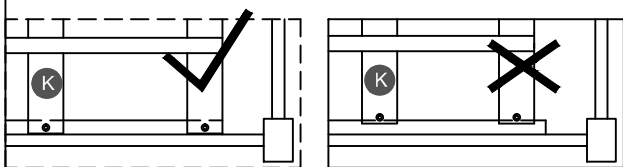


12		6	
8PCS		8PCS	

STEP 6:

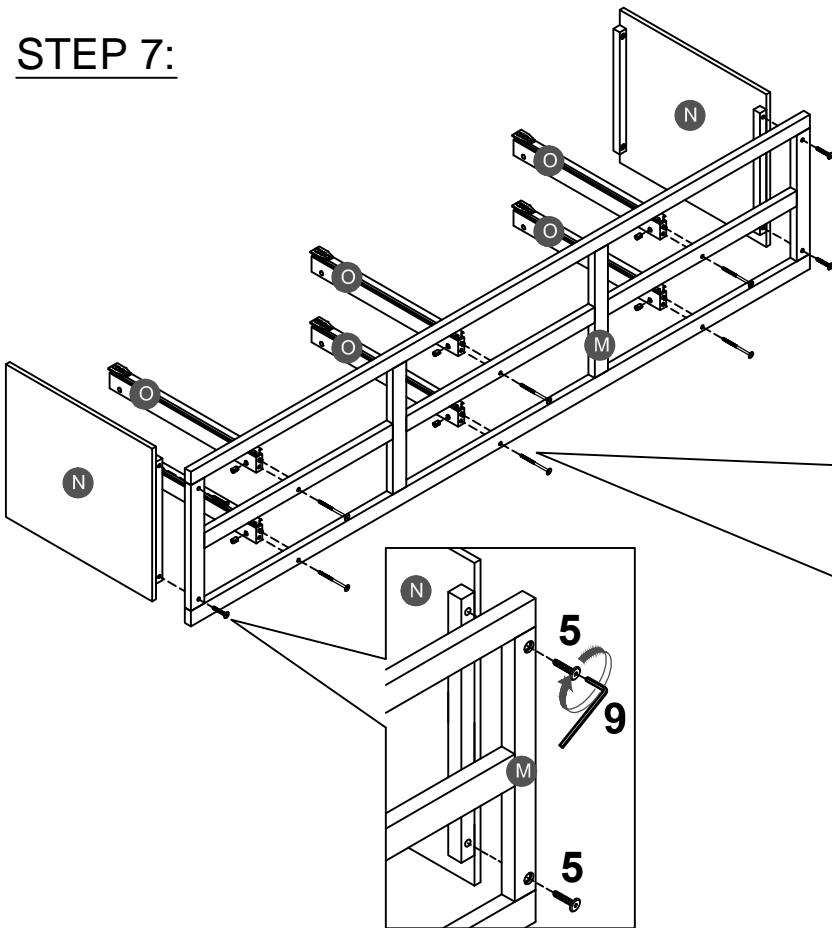





7	
8PCS	

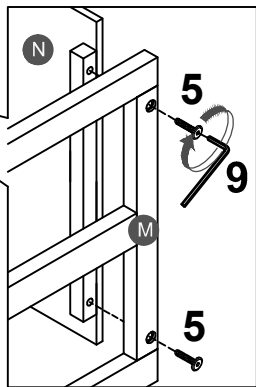
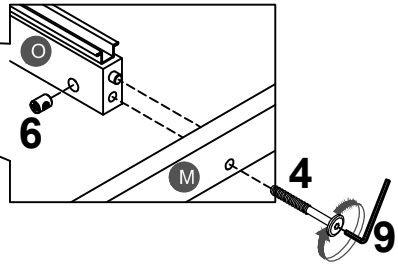


Note: Do not lock the screws of the bed slats to the outermost edge of the bed slats, you need to leave a certain space at the edges, otherwise it will cause the board to break

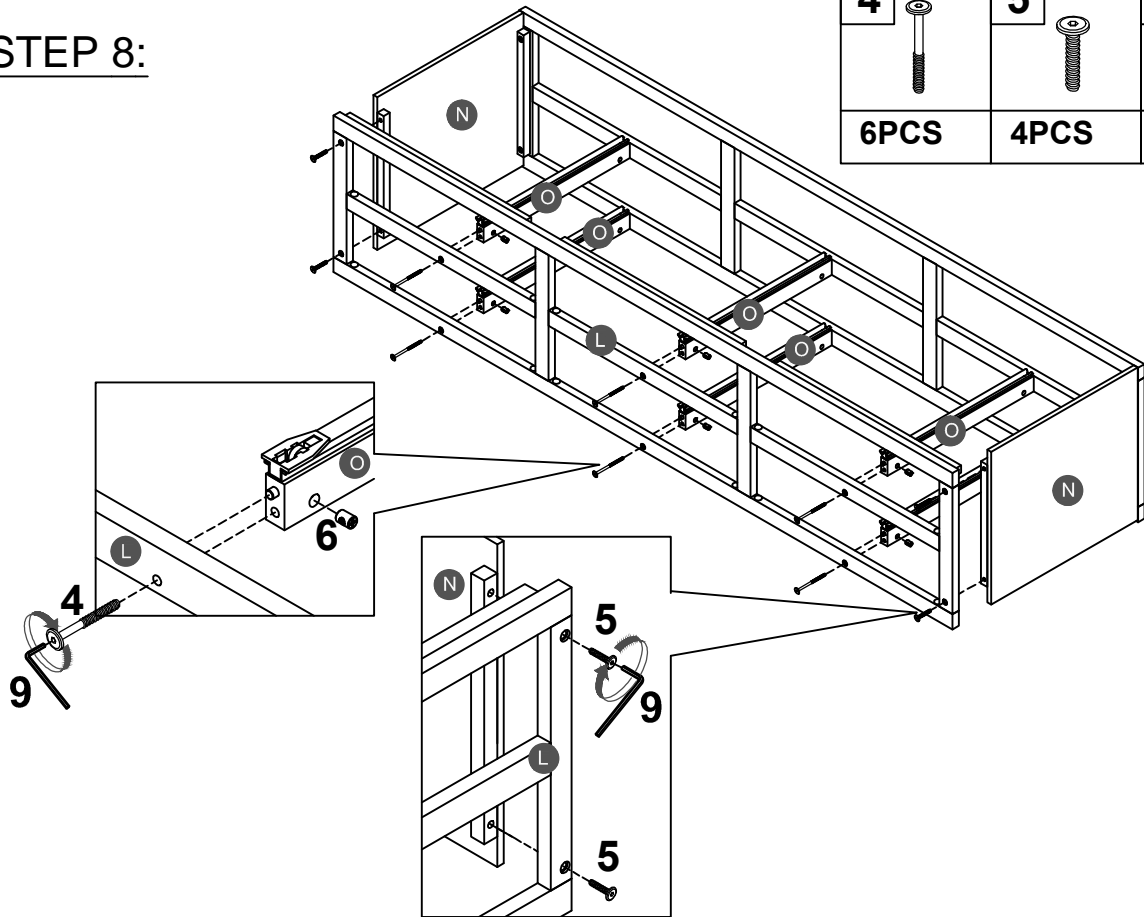
STEP 7:






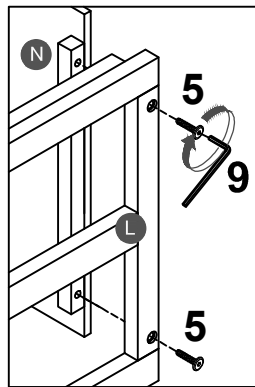
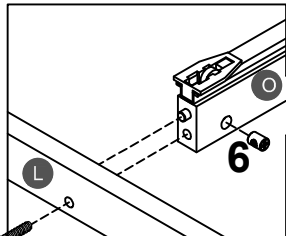
4 	5 	6 
6PCS	4PCS	6PCS



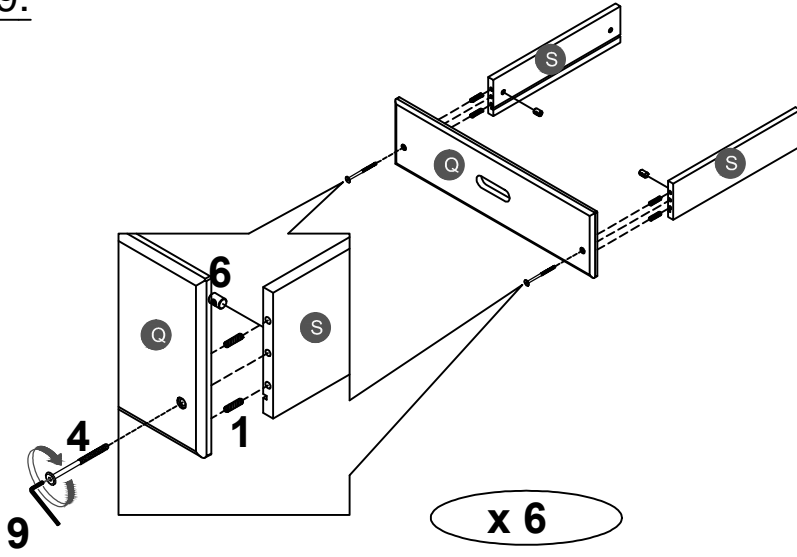
STEP 8:



4 	5 	6 
6PCS	4PCS	6PCS

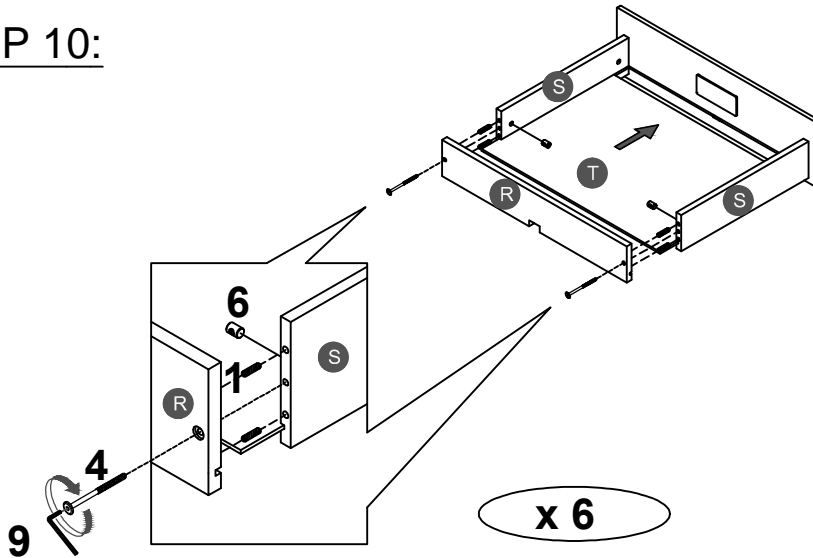


STEP 9:



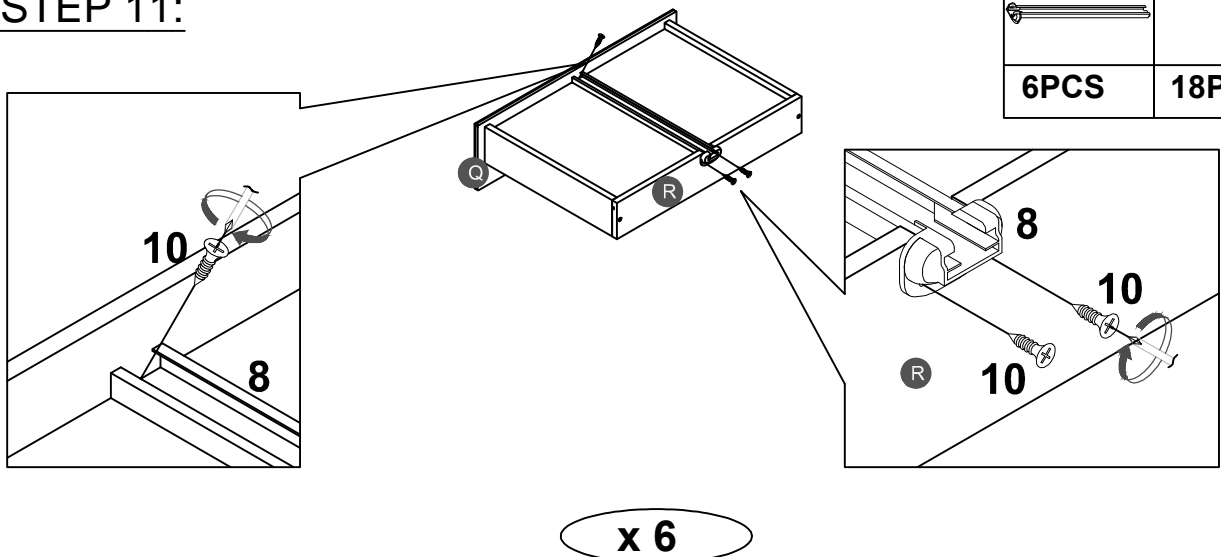
1		6	
24PCS		12PCS	
		4	
		12PCS	

STEP 10:



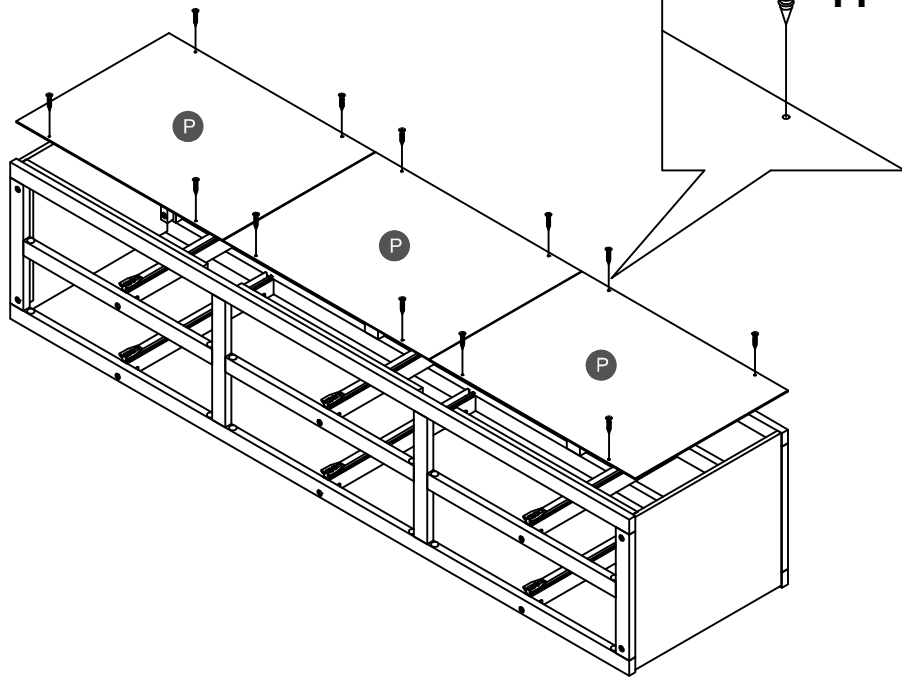
1		6	
24PCS		12PCS	
		4	
		12PCS	

STEP 11:



8		10	
6PCS		18PCS	

STEP 12:

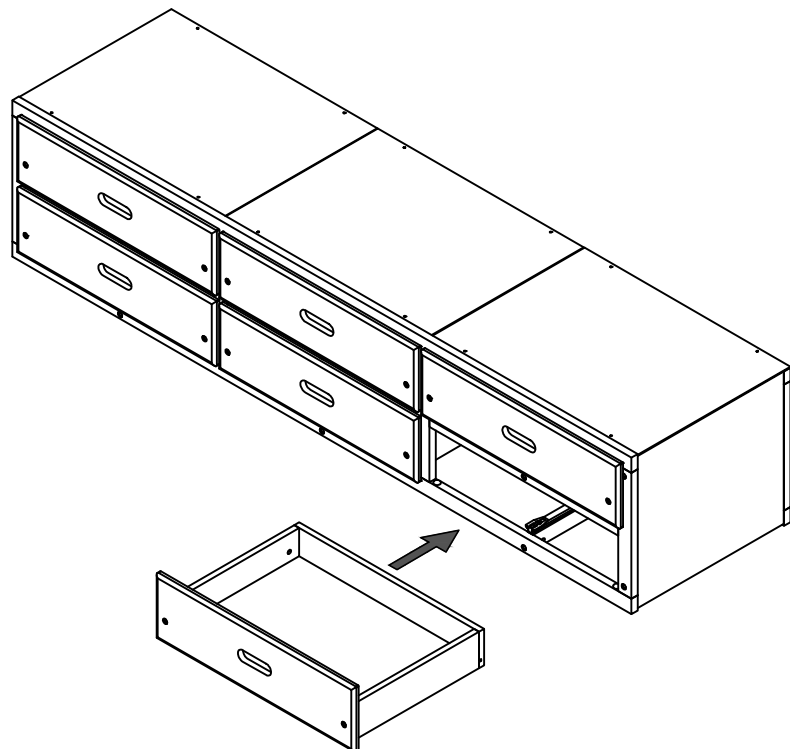


11



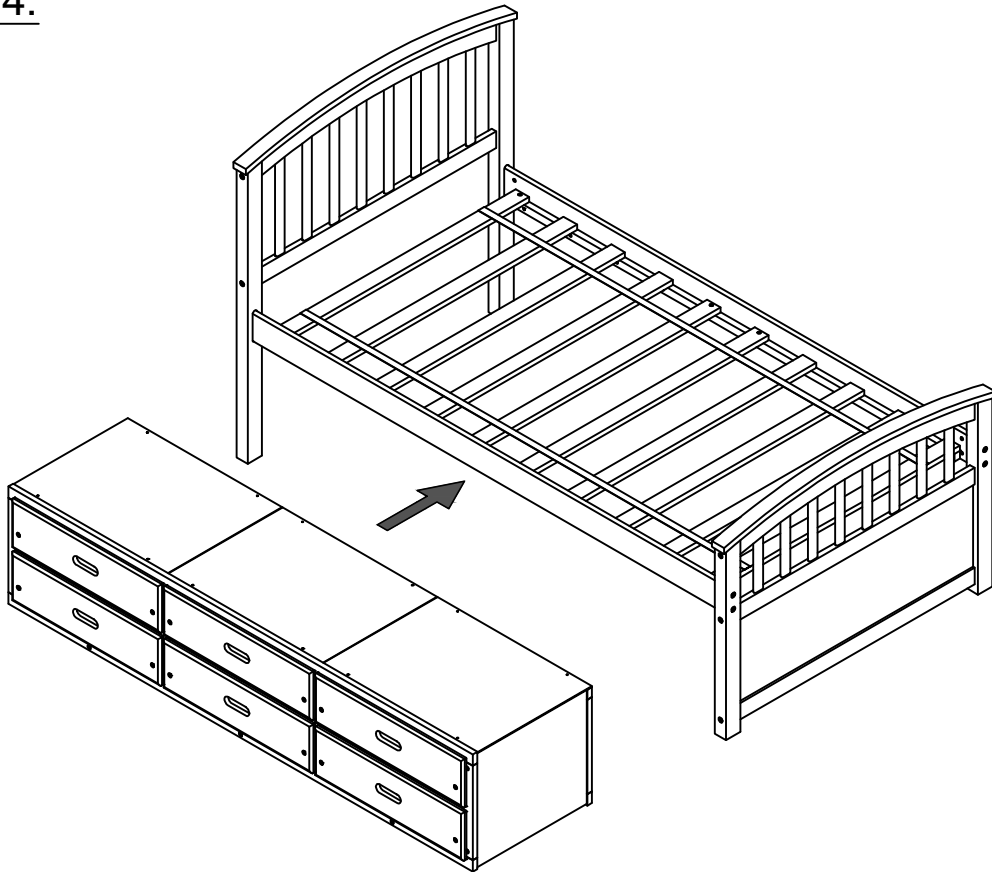
12PCS

STEP 13:



Push Drawer under the bottom of storage bed .

STEP 14:



Move storage under the bottom of Twin bed.

