

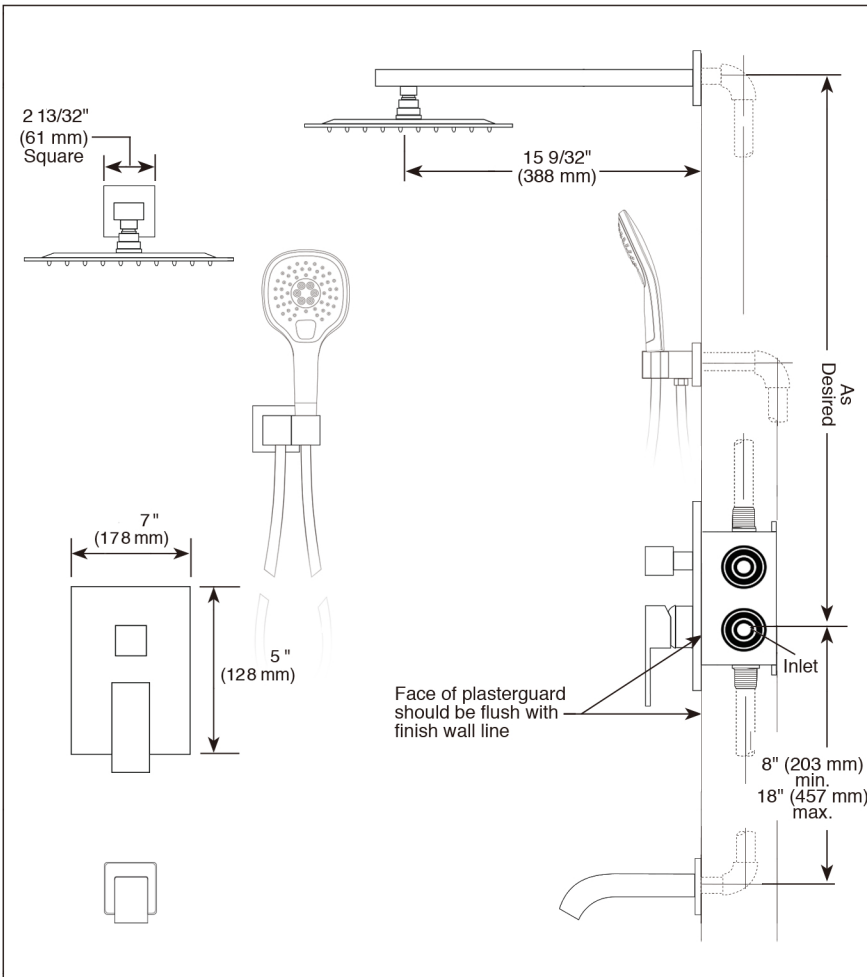
POP

SANITARYWARE

TUB AND SHOWER TRIM WITH ROUGH-IN VALVE

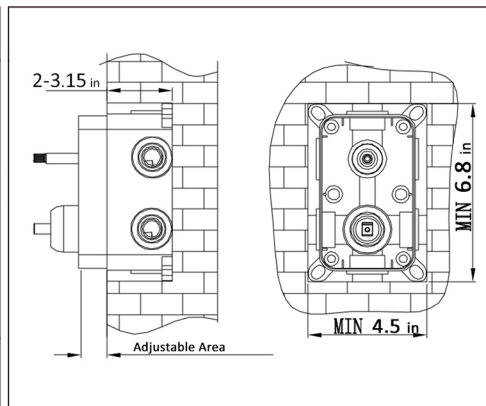
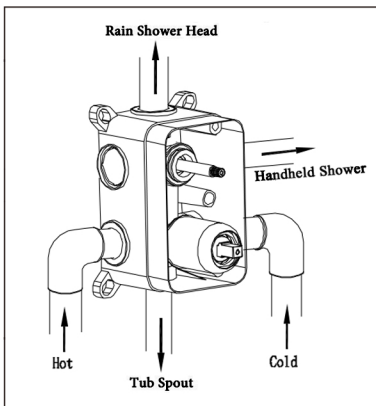
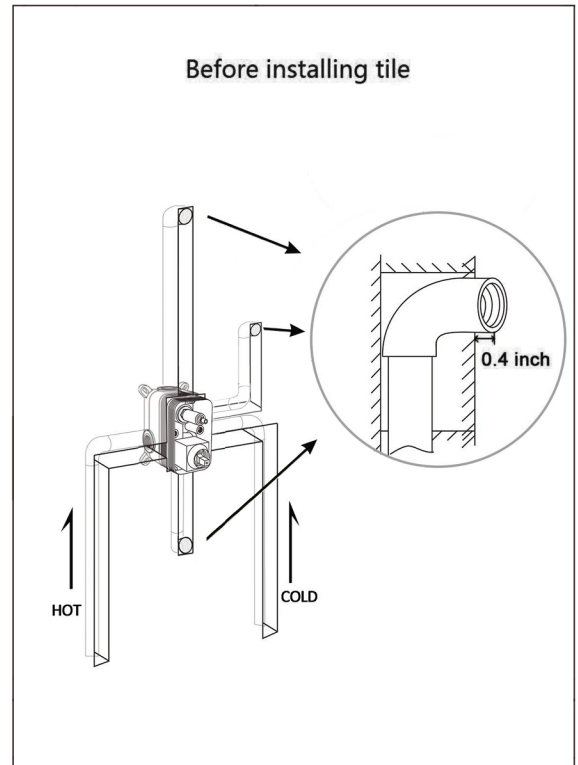
Submitted Model No.: _____

Specific Features: _____



STANDARD SPECIFICATIONS:

- Back-to-back installation capability.
- Lever volume control handle; temperature adjustment dial.
- Graphics indicate hot/cold temperature adjustment.
- All parts are replaceable from the front of the valve.
- Adjusts for up to 1" wall thickness.



WARRANTY

- Lifetime limited warranty on parts (other than electronic parts and batteries) and finishes; or, for commercial users, for 5 years from date of purchase.
- 5 year limited warranty on electronic parts (other than batteries); or, for commercial users, for 1 year from the date of purchase. No warranty is provided on batteries.