

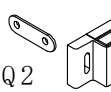

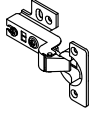

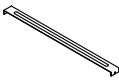


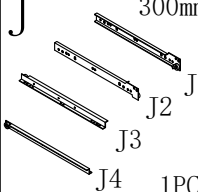
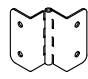
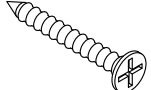
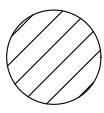
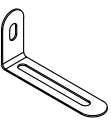
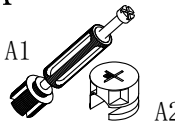
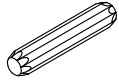
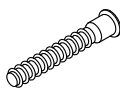
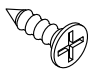
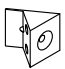


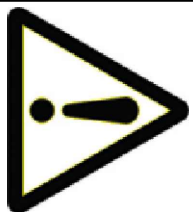


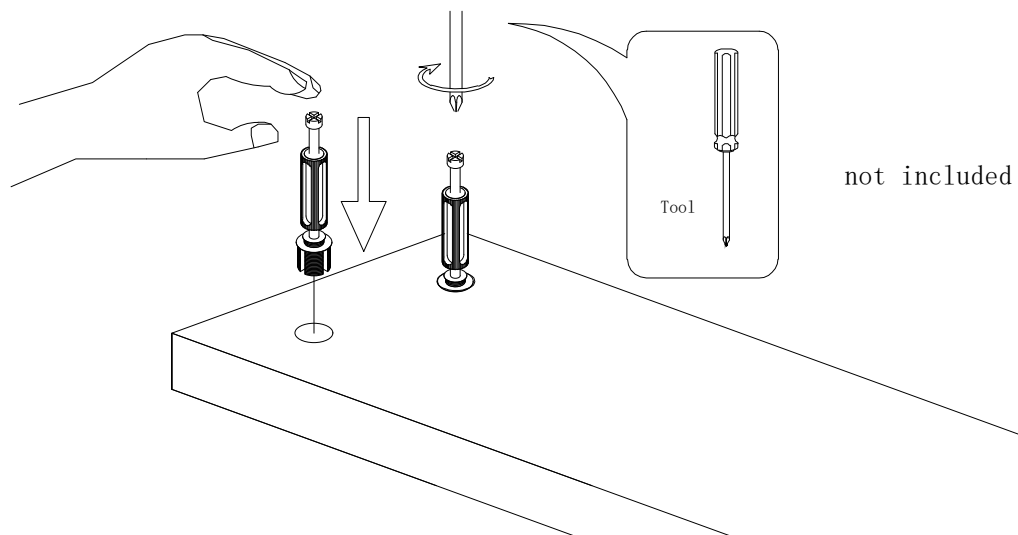
<p>O</p>  <p>2PCS</p>	<p>P</p>  <p>1PC</p>	<p>Q</p>  <p>Q 2 Q 1 2PCS</p>	<p>R</p>  <p>24PCS</p>	<p>S</p>  <p>4PCS</p>	<p>T</p>  <p>6PCS</p>	<p>U</p>  <p>1PC</p>
<p>H</p>  <p>4*18 4PCS</p>	<p>I</p>  <p>4*10 2PCS</p>	<p>J</p>  <p>300mm J1 J2 J3 J4 1PC</p>	<p>K</p>  <p>6PCS</p>	<p>L</p>  <p>3.5*35 4PCS</p>	<p>M</p>  <p>38PCS</p>	<p>N</p>  <p>2PCS</p>
<p>A</p>  <p>A1 A2 58PCS</p>	<p>B</p>  <p>8*40 38PCS</p>	<p>C</p>  <p>7*50 8PCS</p>	<p>D</p>  <p>3.5*14 62PCS</p>	<p>E</p>  <p>16PCS</p>	<p>F</p>  <p>3*12 22PCS</p>	<p>G</p>  <p>6PCS</p>



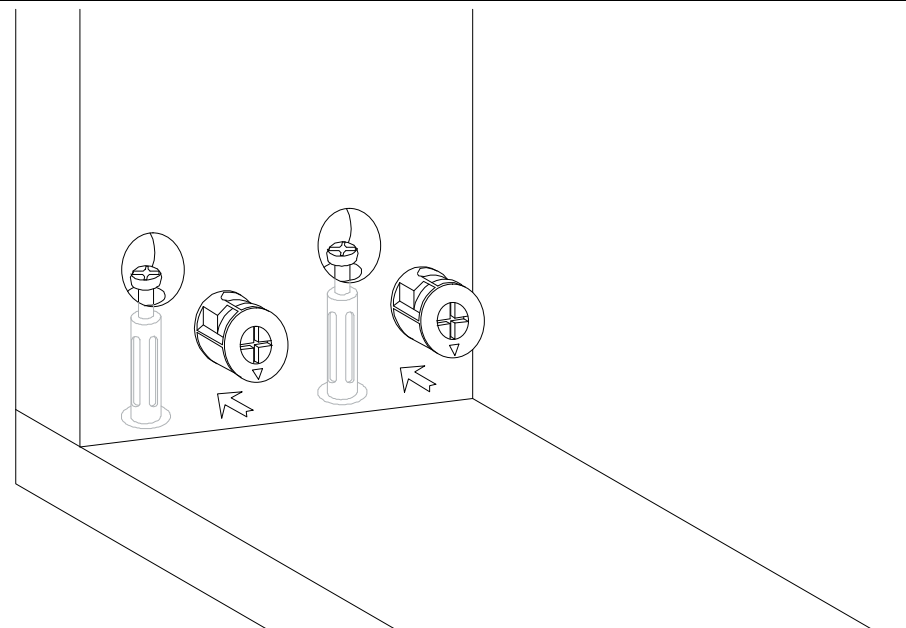
# Hardware installation demonstration

NOTE: Please make sure "A" hardware tightened and can't be pulled out!

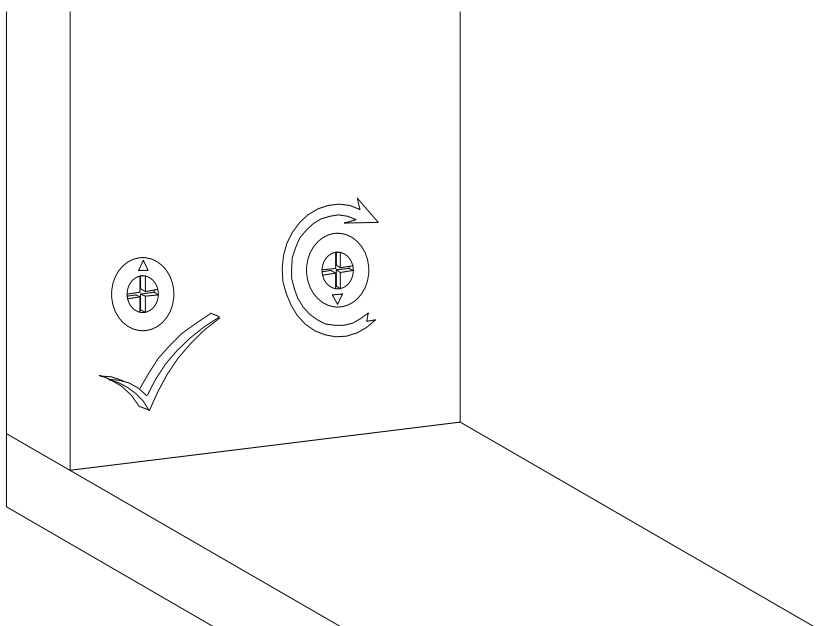
I

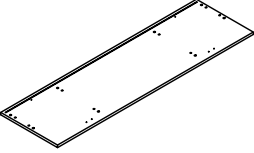
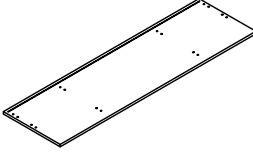


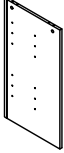

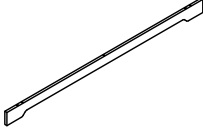
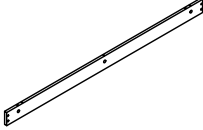
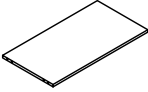
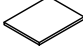




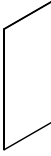







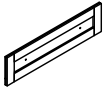







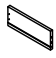
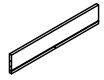
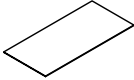
II



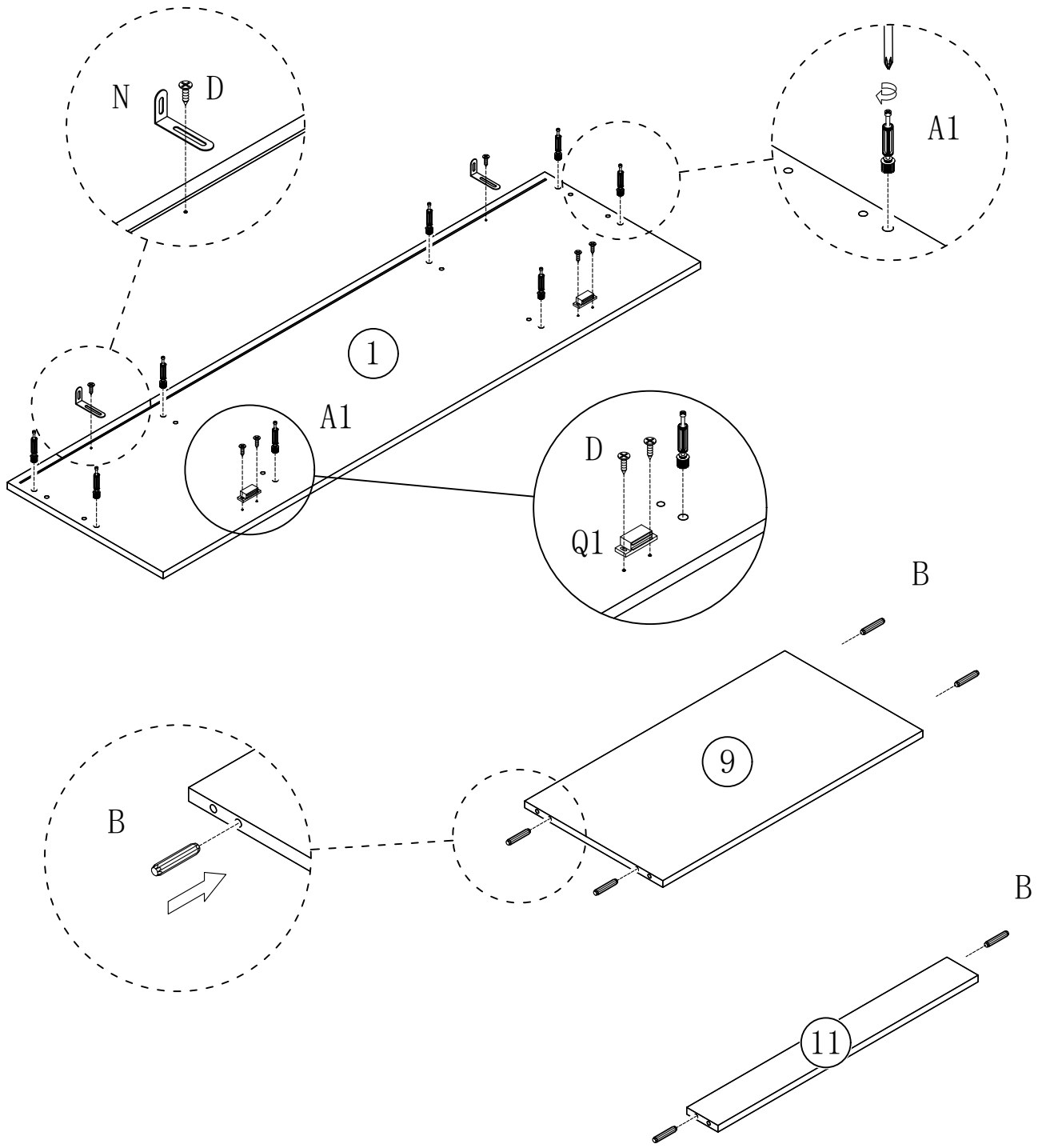
III

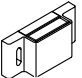
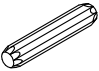
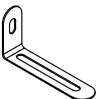

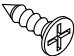


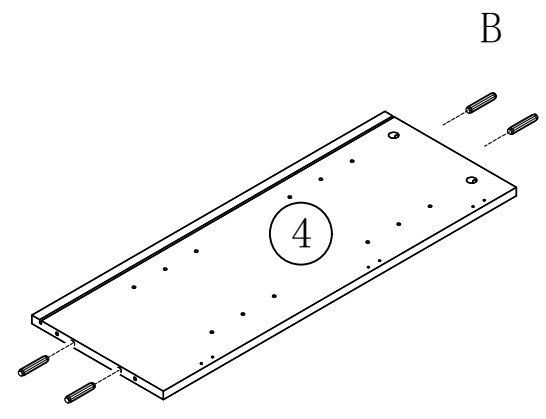
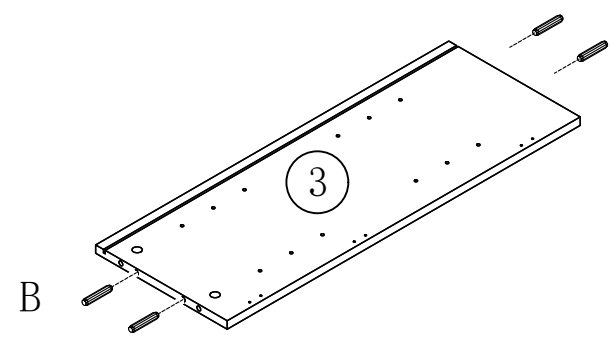
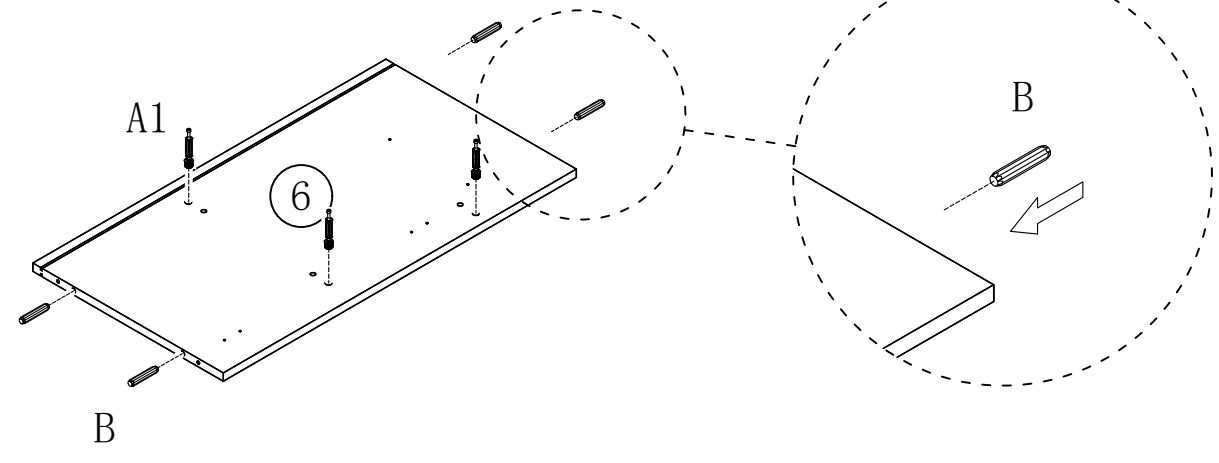
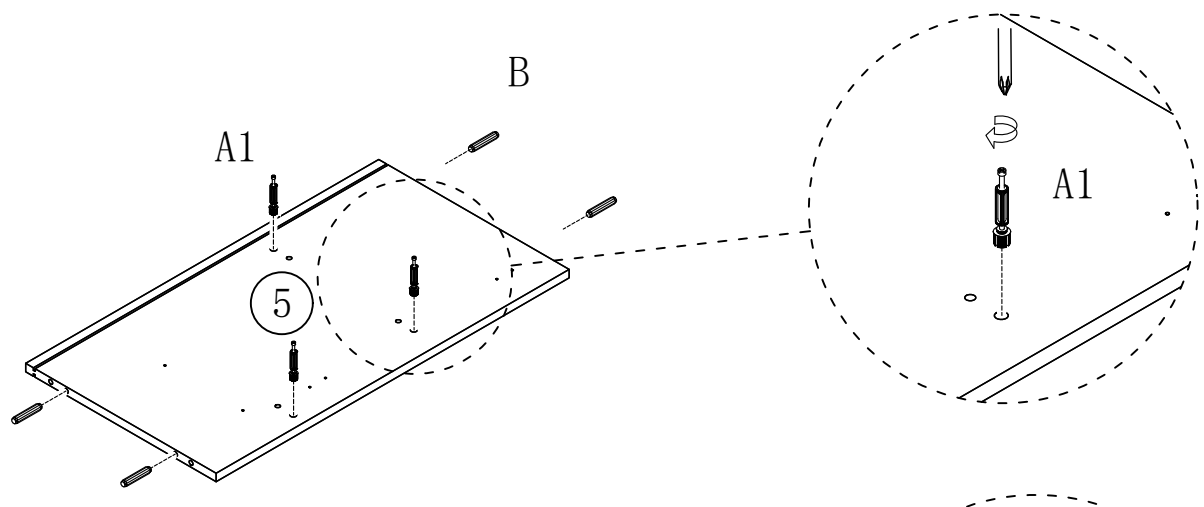
<p>1</p>  <p>1380*400 (mm) 54.33*15.75 (inch) 1PC</p>	<p>2</p>  <p>1380*400 (mm) 54.33*15.75 (inch) 1PC</p>	<p>3</p>  <p>725*270 (mm) 28.54*10.63 (inch) 1PC</p>	<p>4</p>  <p>725*270 (mm) 28.54*10.63 (inch) 1PC</p>
<p>5</p>  <p>725*391 (mm) 28.54*15.39 (inch) 1PC</p>	<p>6</p>  <p>725*391 (mm) 28.54*15.39 (inch) 1PC</p>	<p>7</p>  <p>1380*80 (mm) 54.33*3.15 (inch) 1PC</p>	<p>8</p>  <p>1380*80 (mm) 54.33*3.15 (inch) 1PC</p>
<p>9</p>  <p>668*354.5 (mm) 26.3*13.96 (inch) 1PC</p>	<p>10</p>  <p>314*248.5 (mm) 12.36*9.78 (inch) 4PCS</p>	<p>11</p>  <p>668*80 (mm) 26.3*3.15 (inch) 1PC</p>	<p>12</p>  <p>368*80 (mm) 14.49*3.15 (inch) 1PC</p>
<p>13</p>  <p>368*80 (mm) 14.49*3.15 (inch) 1PC</p>	<p>14</p>  <p>735*324.5 (mm) 28.94*12.78 (inch) 1PC</p>	<p>15</p>  <p>735*336.5 (mm) 28.94*13.25 (inch) 2PCS</p>	<p>16</p>  <p>735*324.5 (mm) 28.94*12.78 (inch) 1PC</p>
<p>17</p>  <p>720*330 (mm) 28.35*12.99 (inch) 1PC</p>	<p>18</p>  <p>720*330 (mm) 28.35*12.99 (inch) 1PC</p>	<p>19</p>  <p>531*331 (mm) 20.91*13.03 (inch) 1PC</p>	<p>20</p>  <p>531*331 (mm) 20.91*13.03 (inch) 1PC</p>

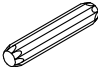

<p>21</p>  <p>664*171 (mm) 26.14*6.73 (inch) 1PC</p>	<p>22</p>  <p>718*100 (mm) 28.27*3.94 (inch) 1PC</p>	<p>23</p>  <p>718*100 (mm) 28.27*3.94 (inch) 1PC</p>	<p>24</p>  <p>718*100 (mm) 28.27*3.94 (inch) 1PC</p>
<p>25</p>  <p>718*100 (mm) 28.27*3.94 (inch) 1PC</p>	<p>26</p>  <p>298*100 (mm) 11.73*3.94 (inch) 4PCS</p>	<p>27</p>  <p>296*95 (mm) 11.65*3.74 (inch) 2PCS</p>	<p>28</p>  <p>300*115 (mm) 11.81*4.53 (inch) 1PC</p>
<p>29</p>  <p>300*115 (mm) 11.81*4.53 (inch) 1PC</p>	<p>30</p>  <p>613*115 (mm) 24.13*4.53 (inch) 1PC</p>	<p>31</p>  <p>623*294 (mm) 24.53*11.57 (inch) 1PC</p>	

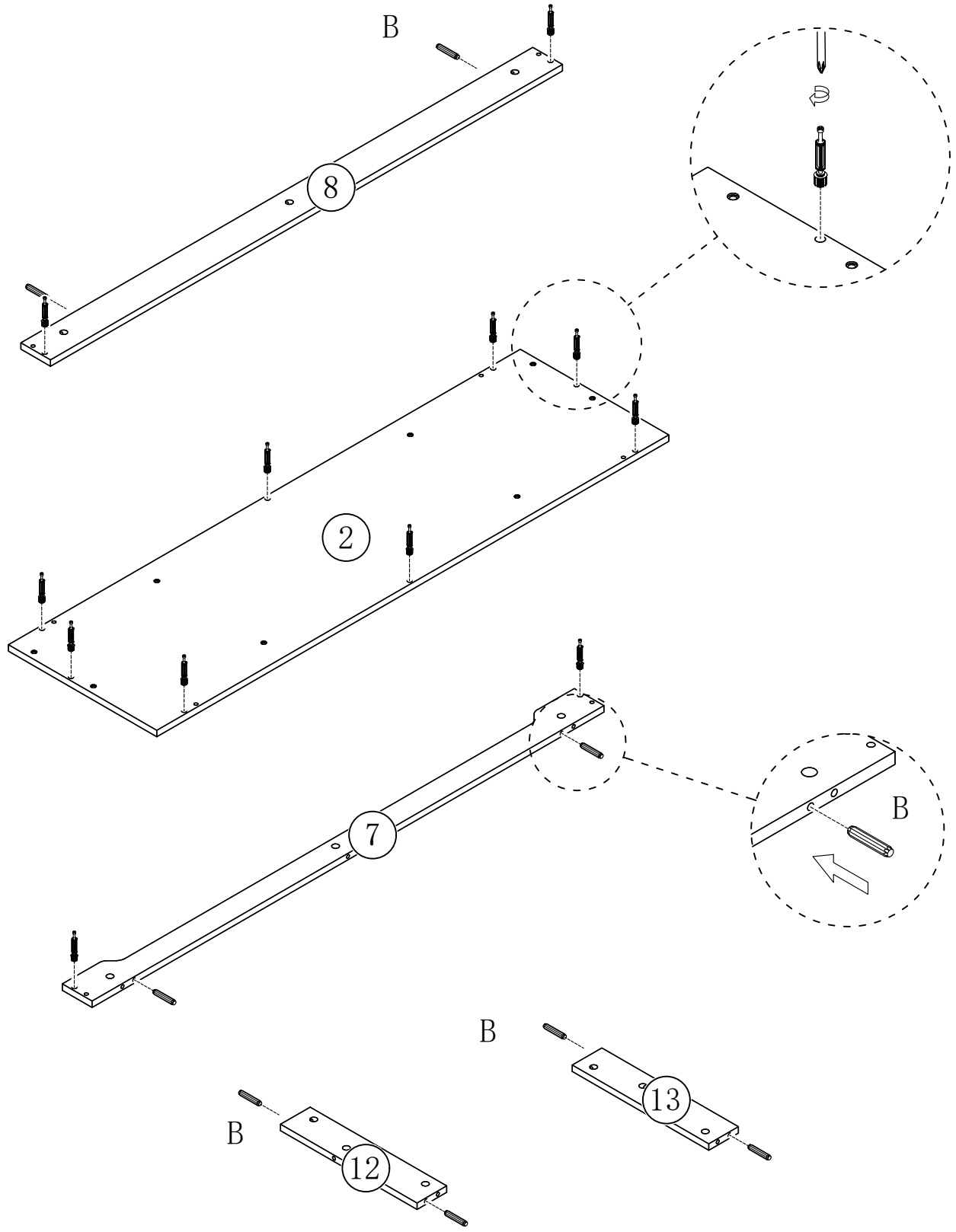
1


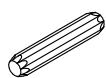


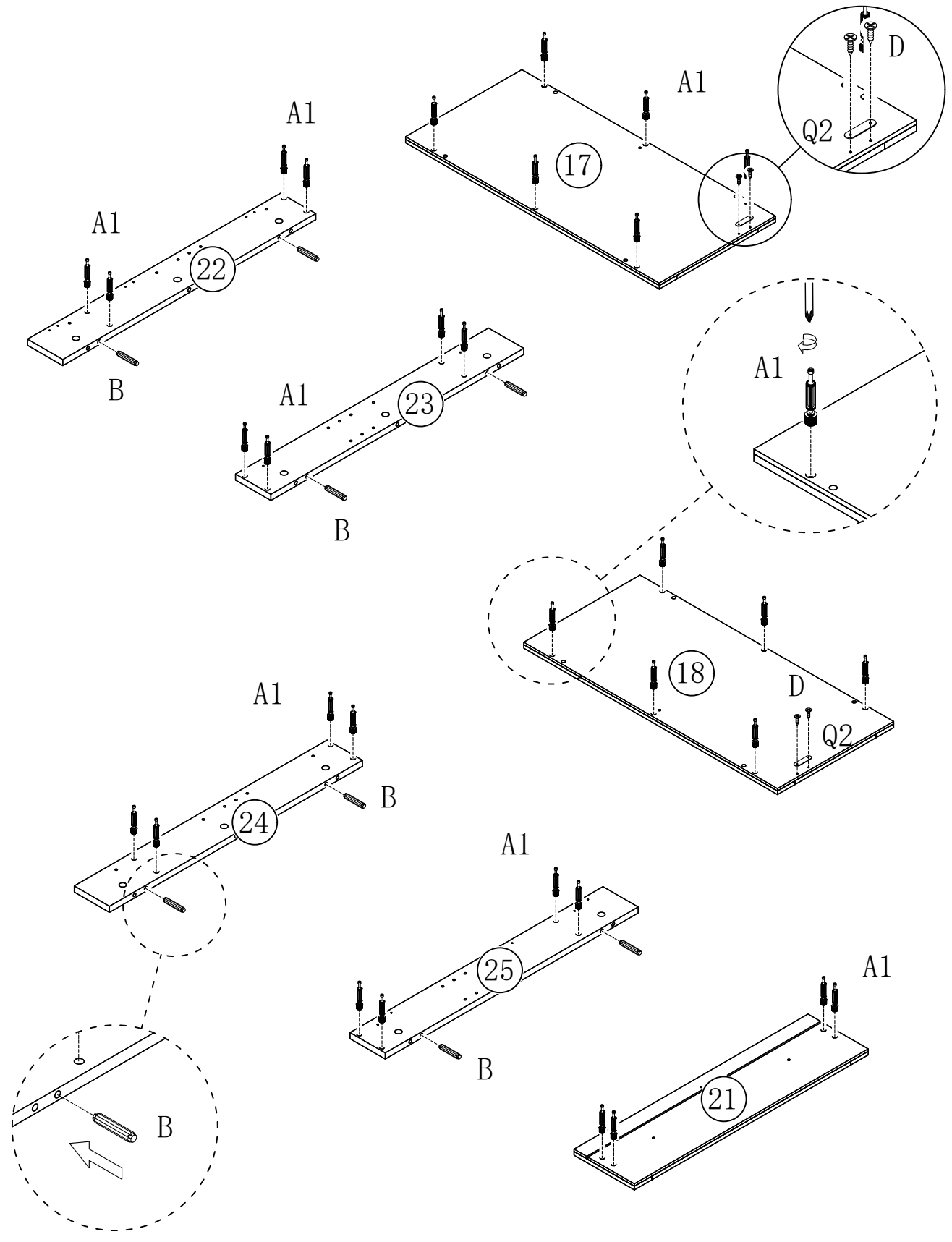
	Q1*2		
	B*6		N*2
	A1*8		D*6




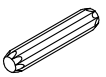


	B*16
	A1*6



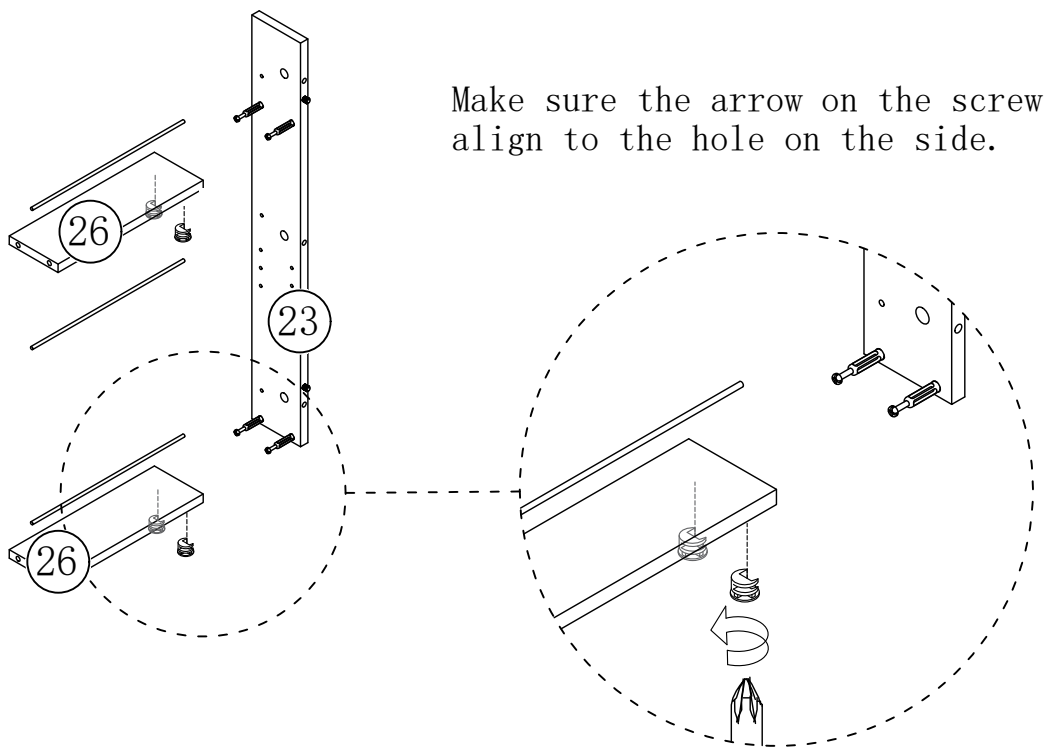
	A1*12		B*8
---	-------	---	-----



	Q2*2		D*4
	A1*32		B*8

5

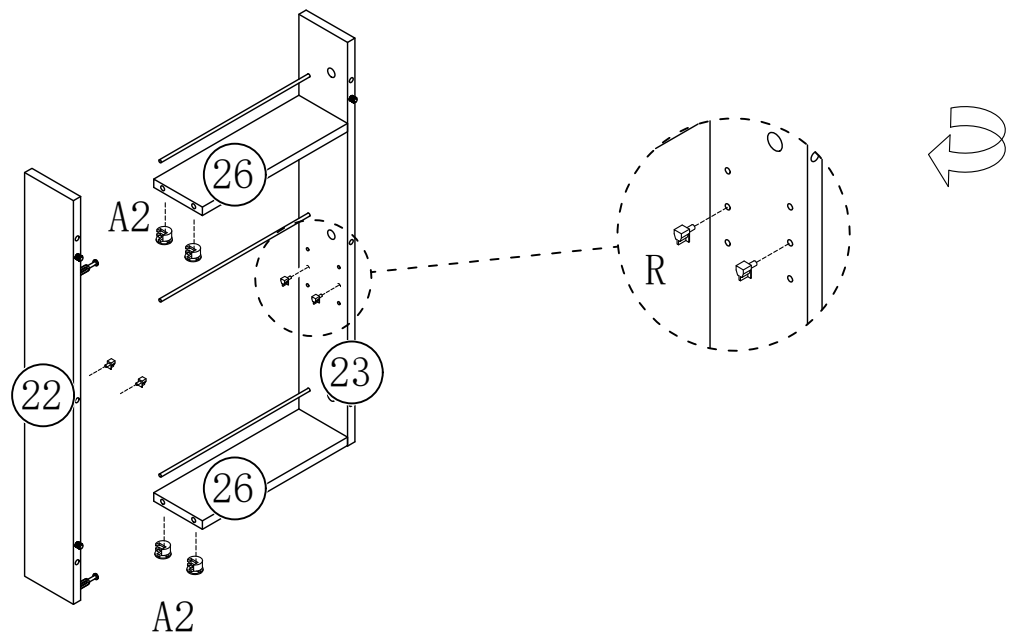
Put A2 on board (26)



Make sure the arrow on the screw align to the hole on the side.



	A2*4		T*3
---	------	---	-----

6

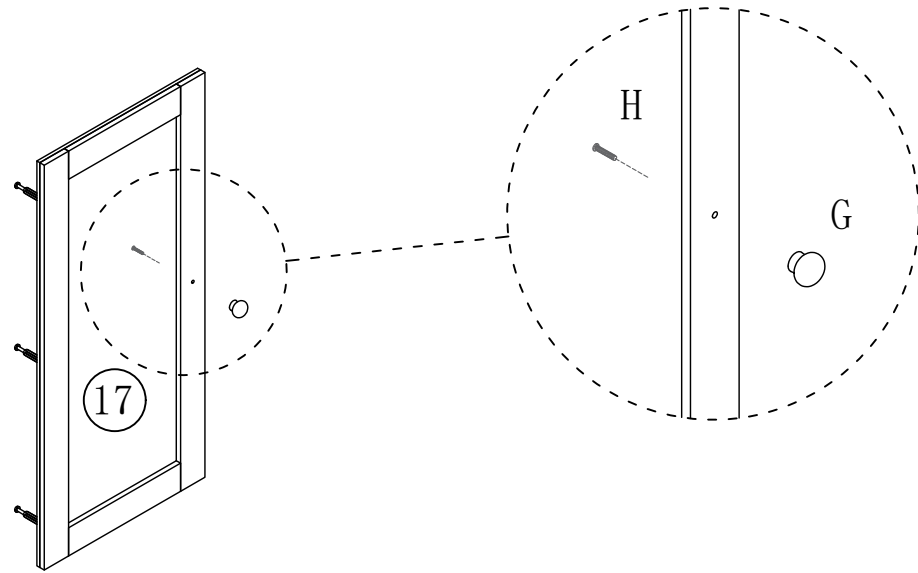


Put R on board (22) (23)

Put A2 on board (26)

	A2*4		R*4
---	------	---	-----

7



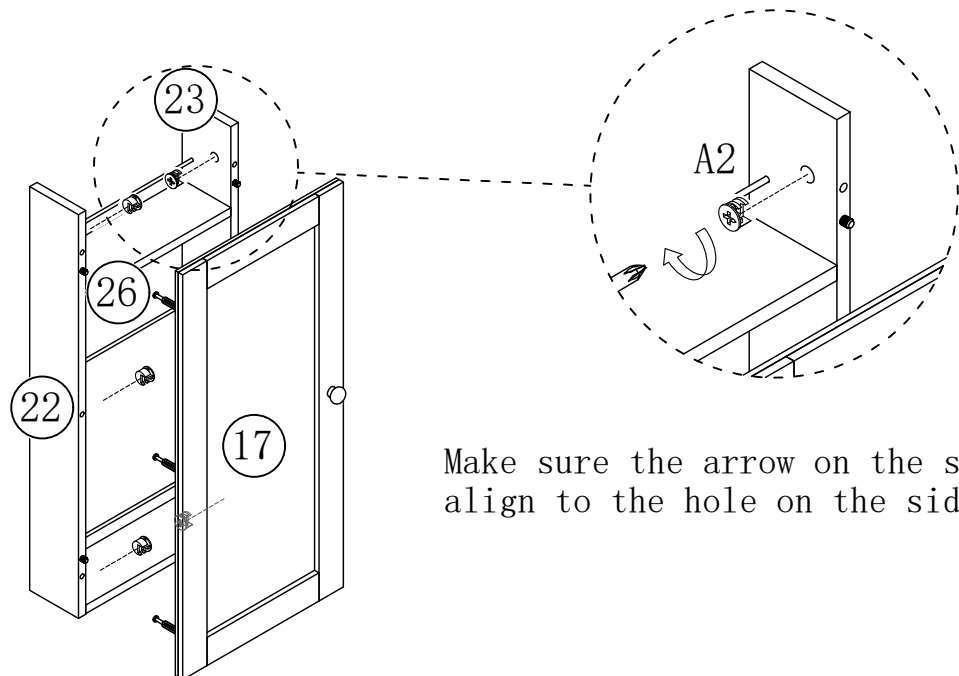
G\*1



H\*1

Put G and H on board 17

8



Make sure the arrow on the screw align to the hole on the side.

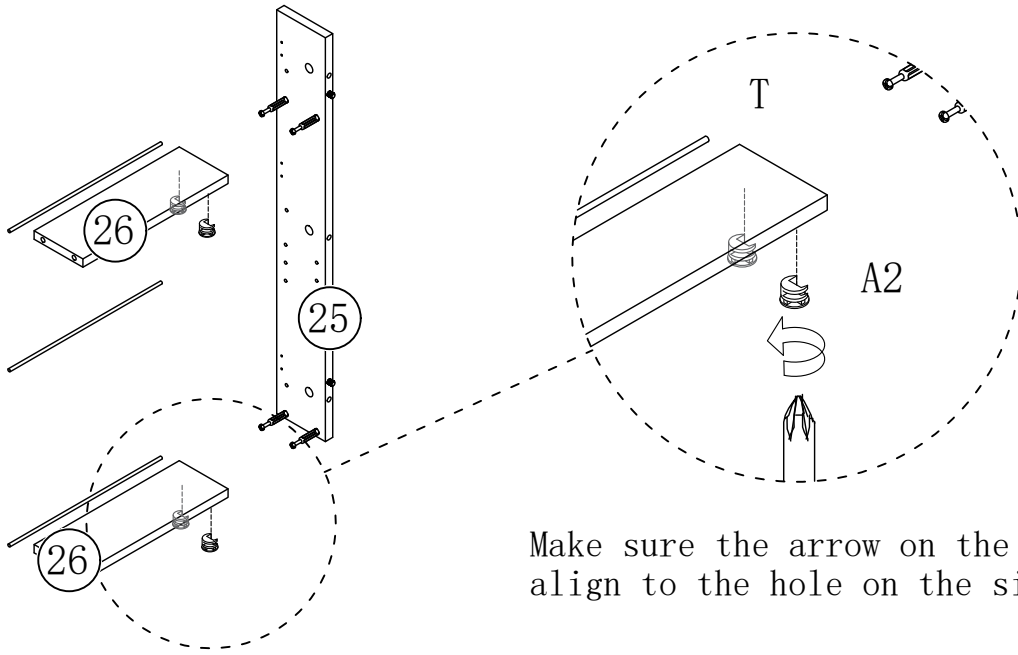


A2\*6



Put A2 on board

22 23

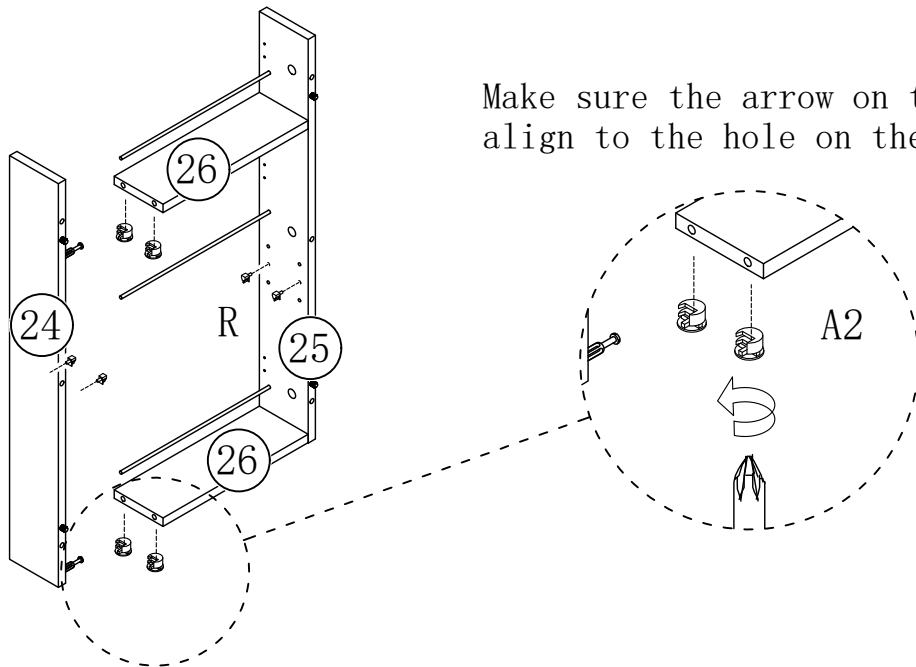
9





Make sure the arrow on the screw align to the hole on the side.

	A2*4		T*3	Put A2 on board 26
---	------	---	-----	--------------------

10

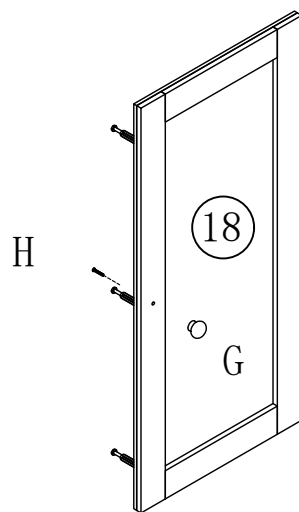


Make sure the arrow on the screw align to the hole on the side.

	A2*4		R*4	Put A2 on board 26
---	------	---	-----	--------------------

Put R on board 24 25

11



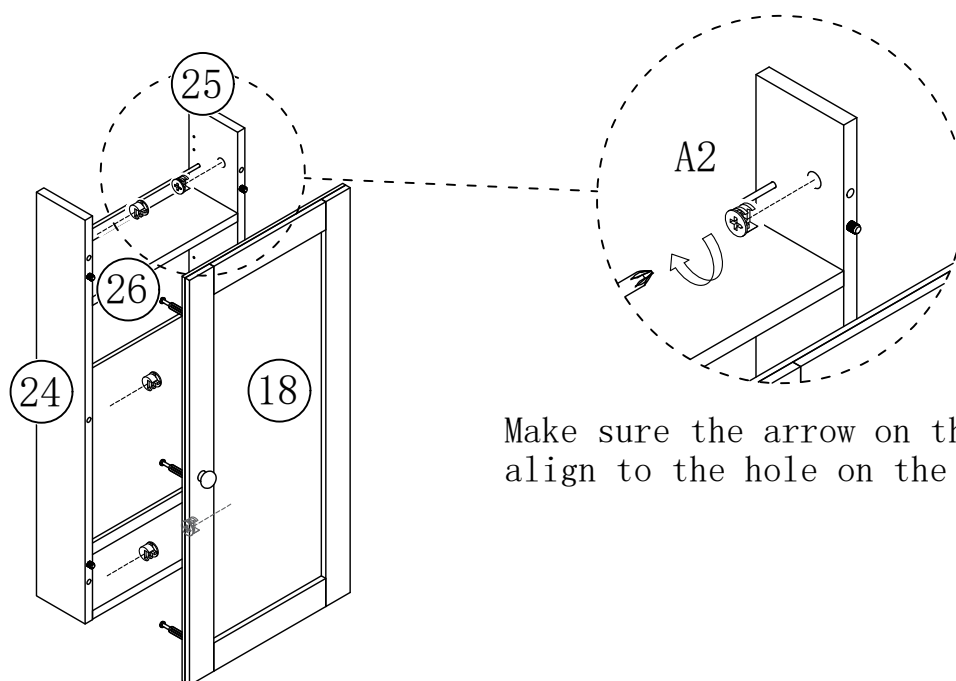
G\*1



H\*1

Put G and H on board 18

12



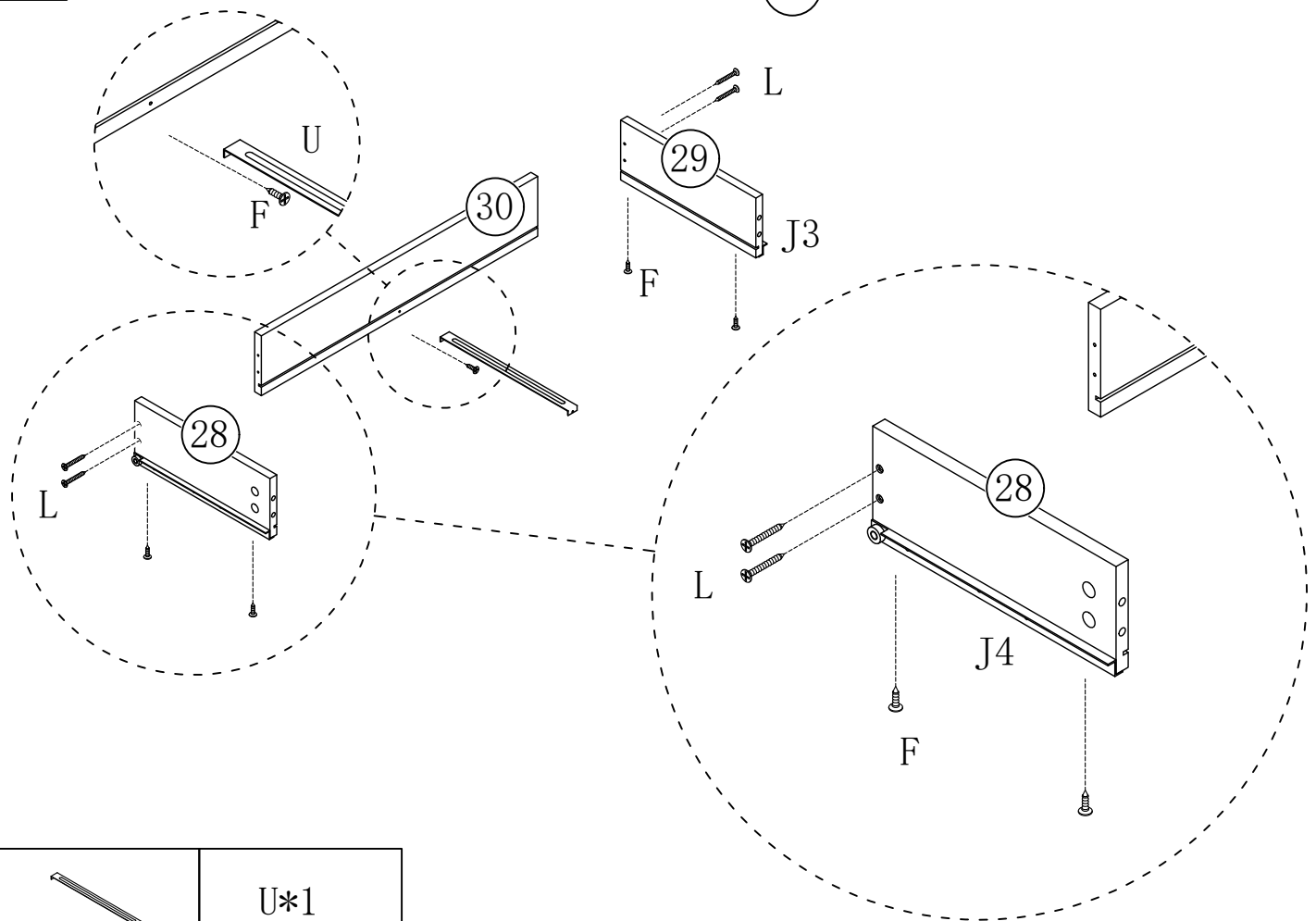
A2\*6

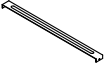


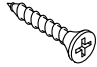
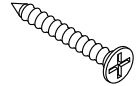
Put A2 on board 24 25

Make sure the arrow on the screw align to the hole on the side.

13

Put U, F on board (30)

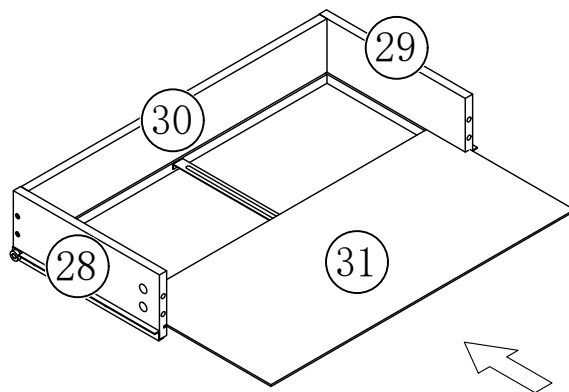


	U*1		J4*1
	J3*1		F*5
	L*4		

Put L, F, J4 on board (28)

Put L, F, J3 on board (29)

14

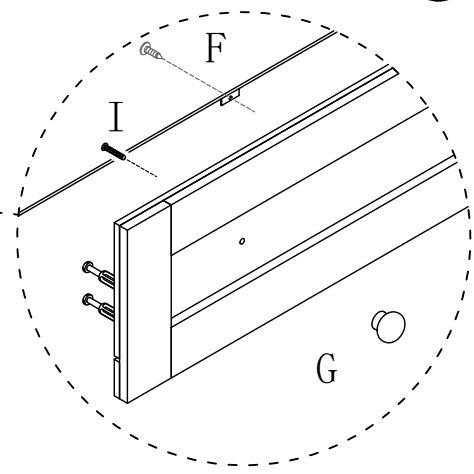
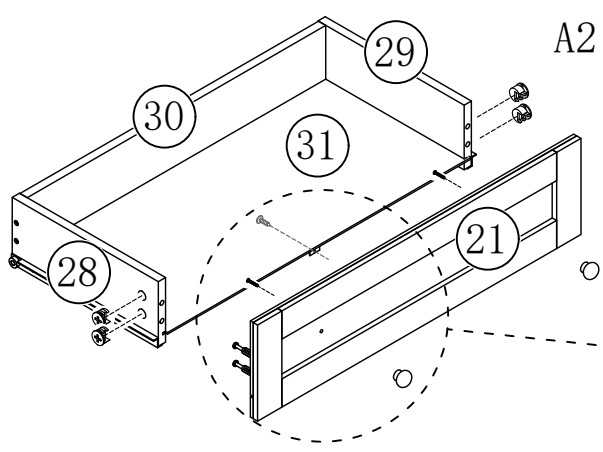



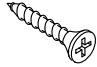


15

Put A2 on board (28) (29)

Put F on board (21)

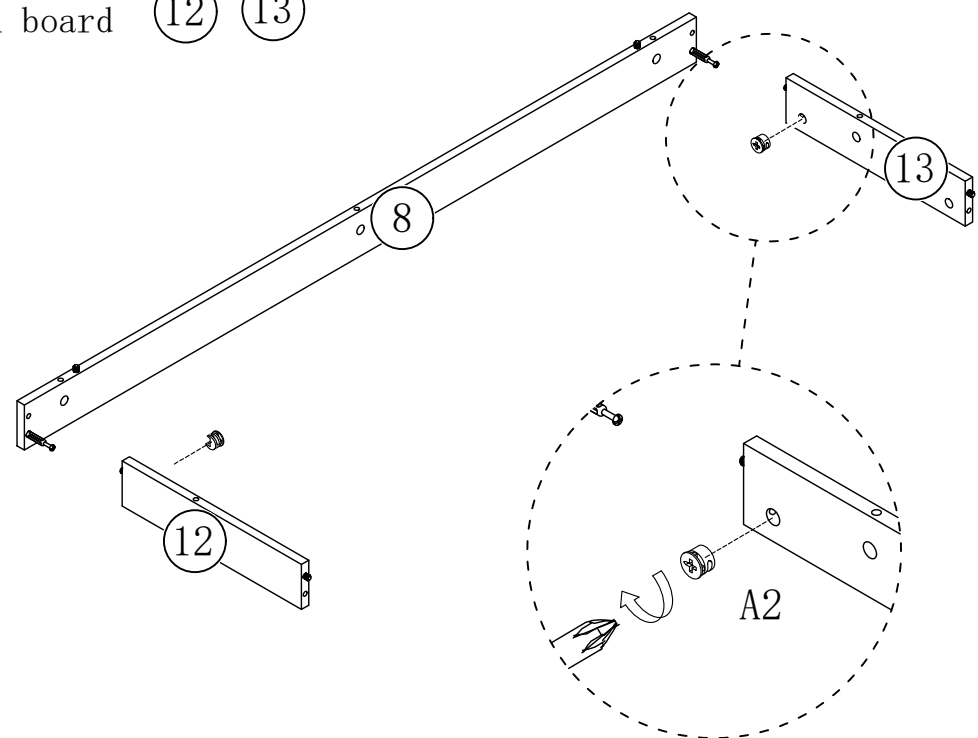
Put G, I on board (21)




	A2*4		F*1
	G*2		I*2

16

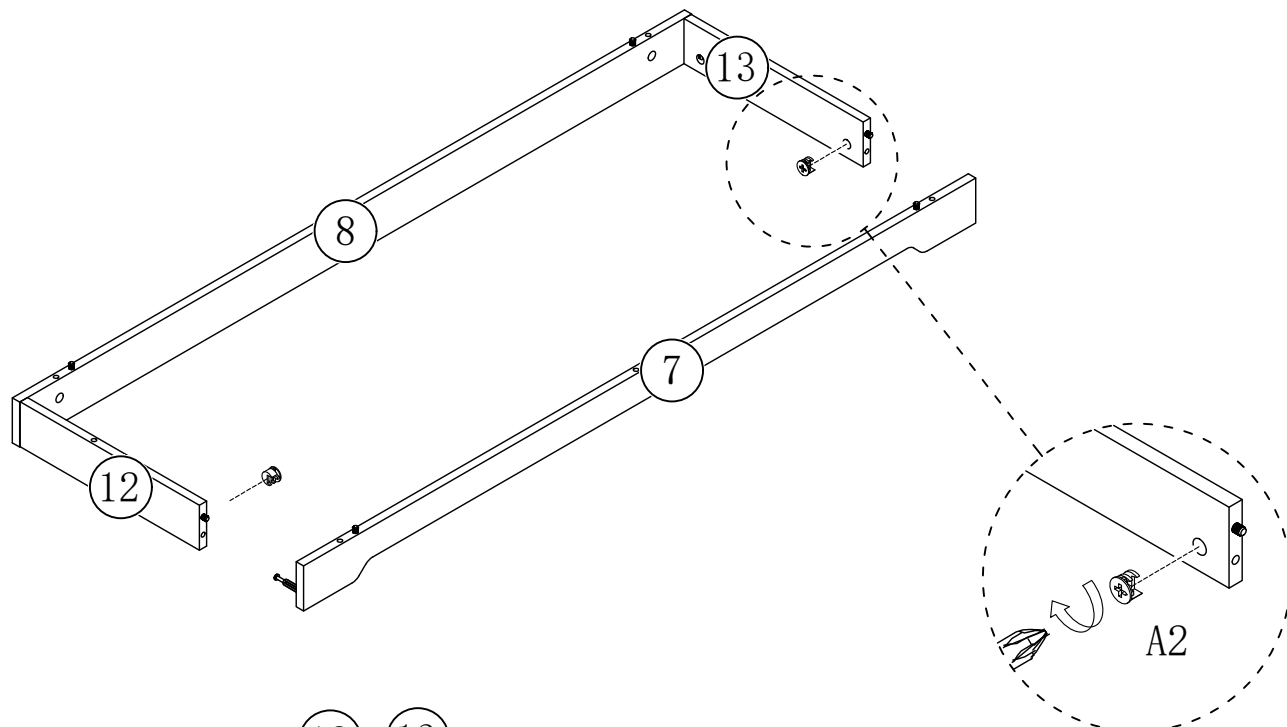
Put A2 on board (12) (13)



	A2*2
---	------

Make sure the arrow on the screw align to the hole on the side.

17



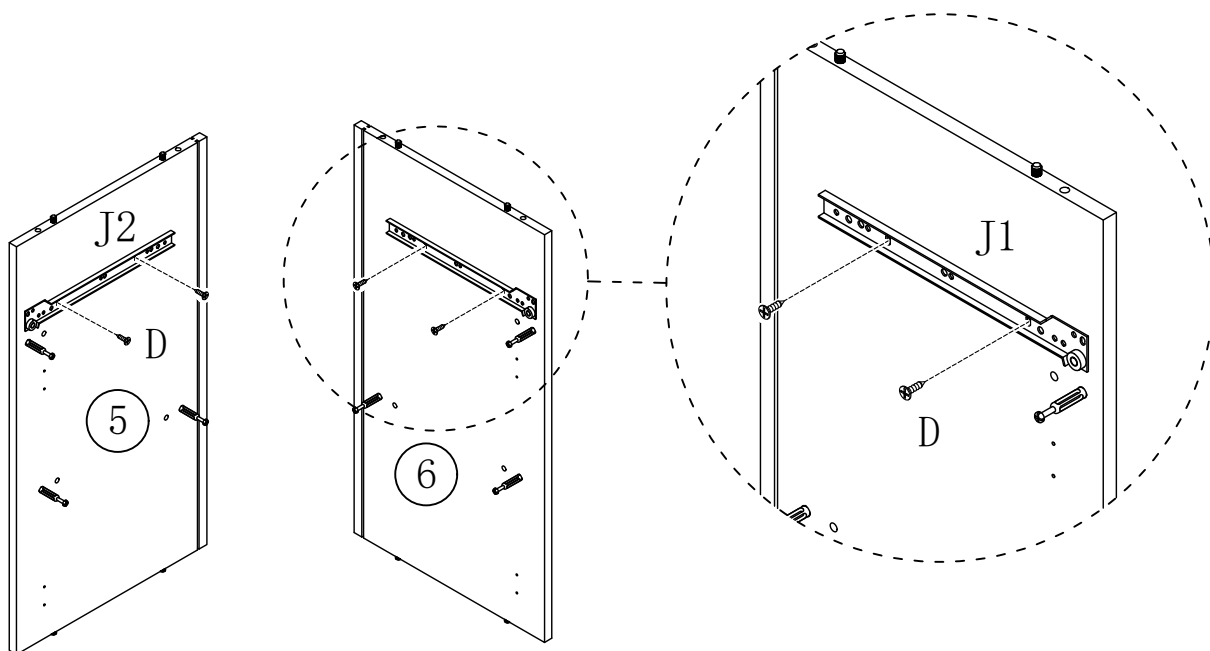
Put A2 on board (12) (13)

Make sure the arrow on the screw align to the hole on the side.



A2\*2

18



Put D, J2 on board (5)

Put D, J1 on board (6)



D\*4



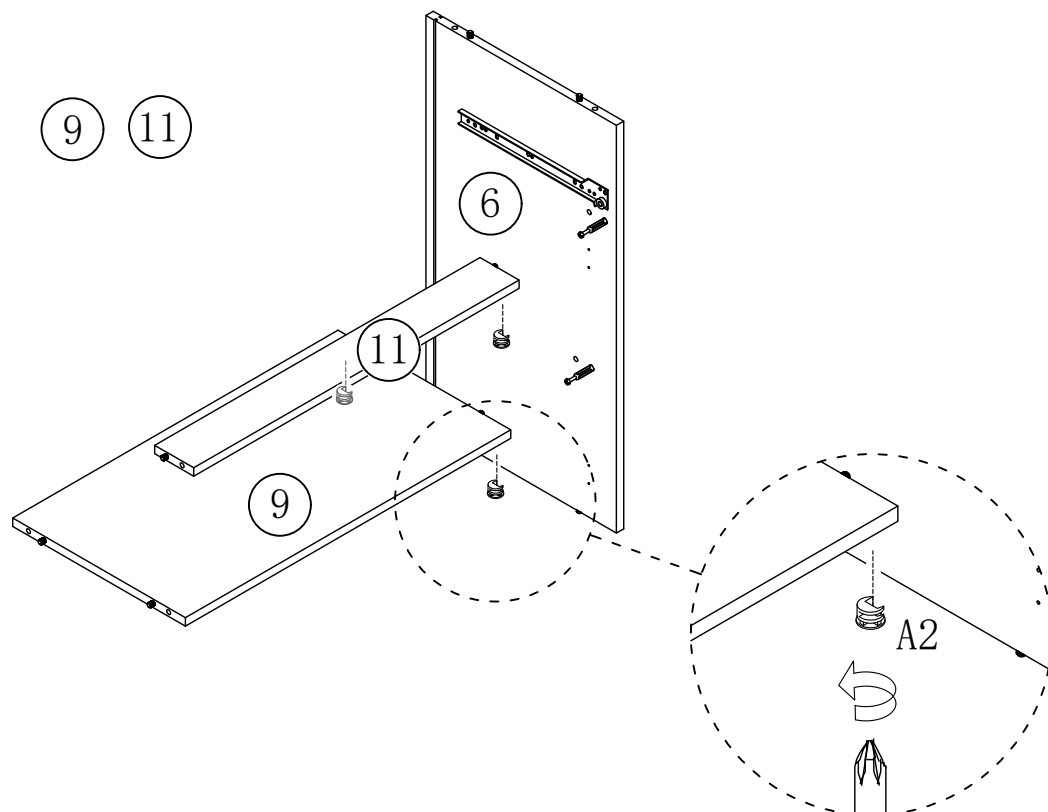
J1\*1



J2\*1

19

Put A2 on board (9) (11)

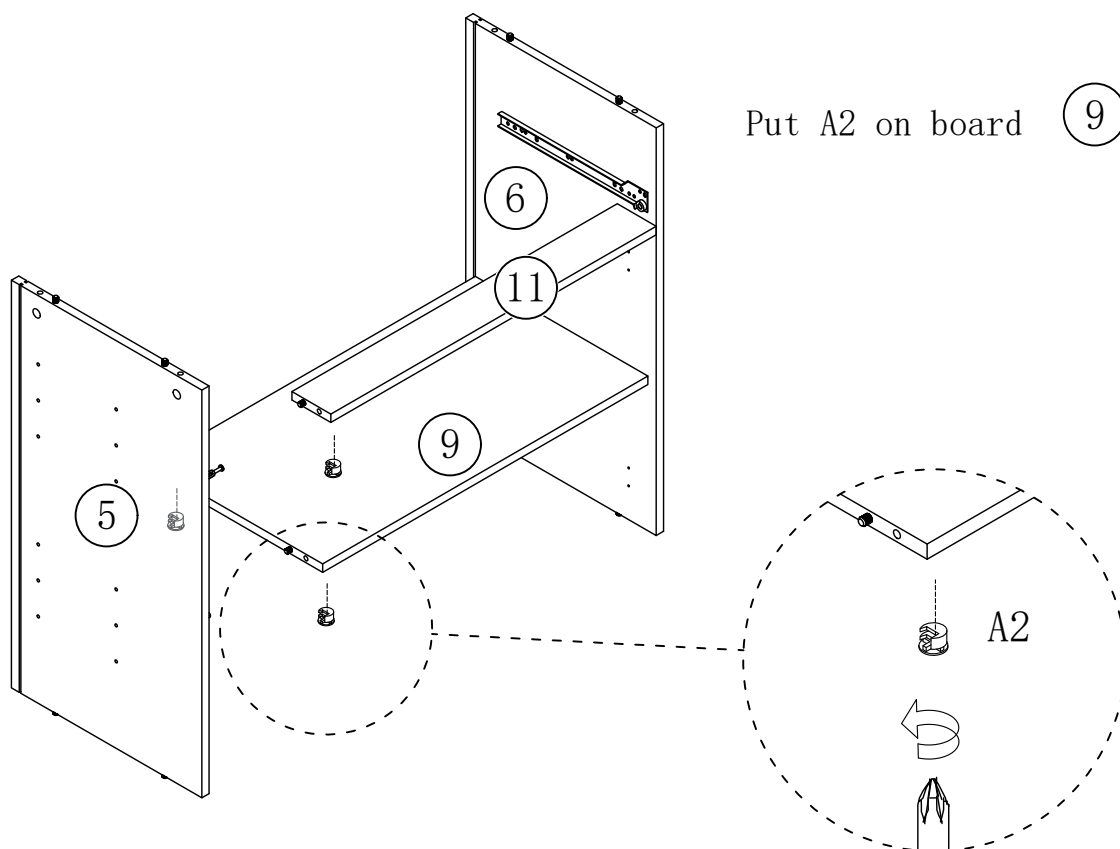


A2\*3

Make sure the arrow on the screw align to the hole on the side.

20

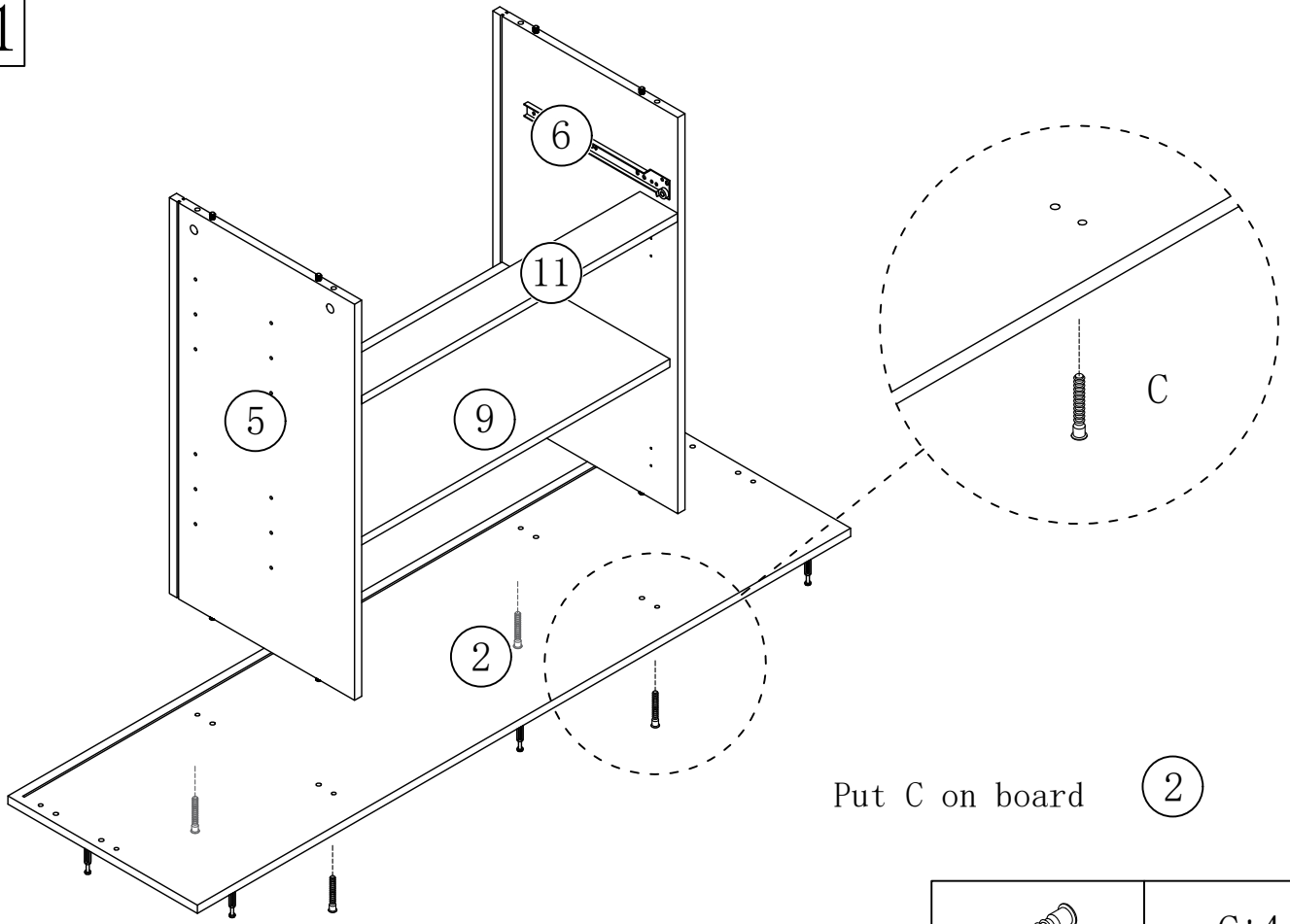
Put A2 on board (9) (11)




A2\*3

Make sure the arrow on the screw align to the hole on the side.

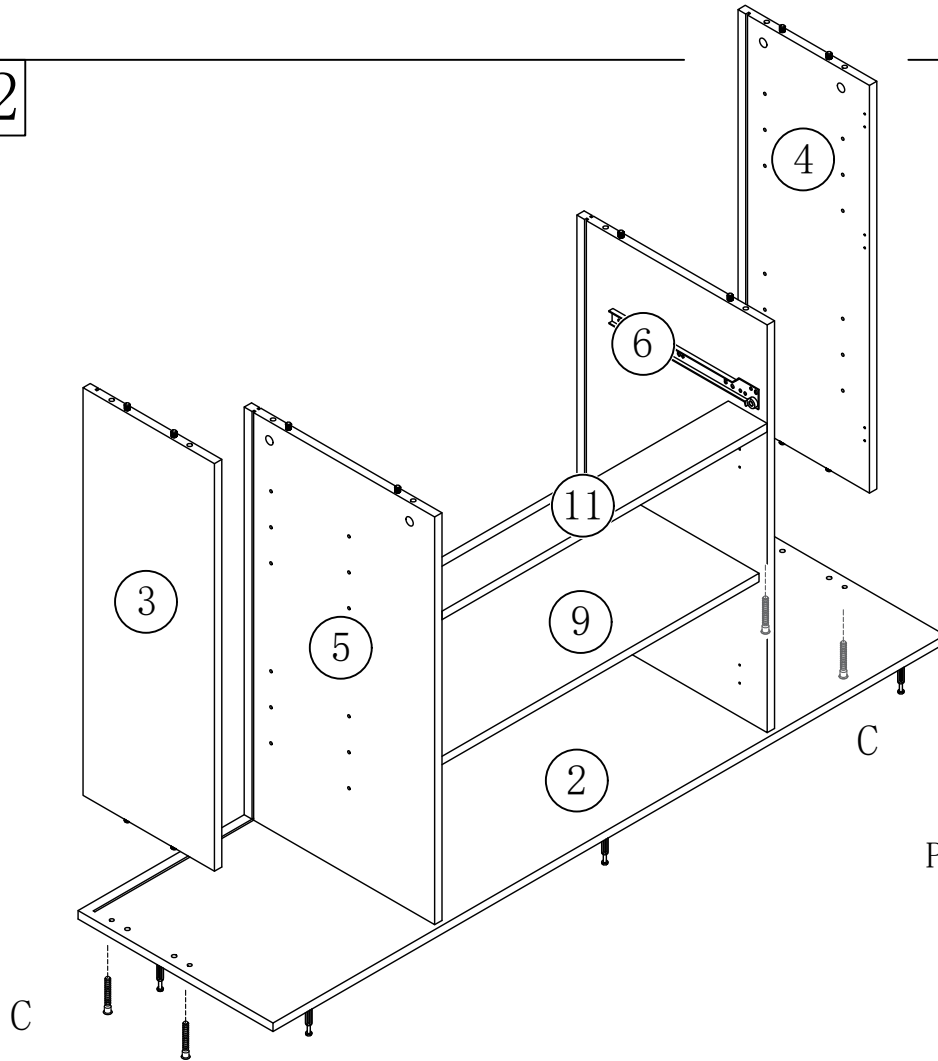
21




Put C on board (2)

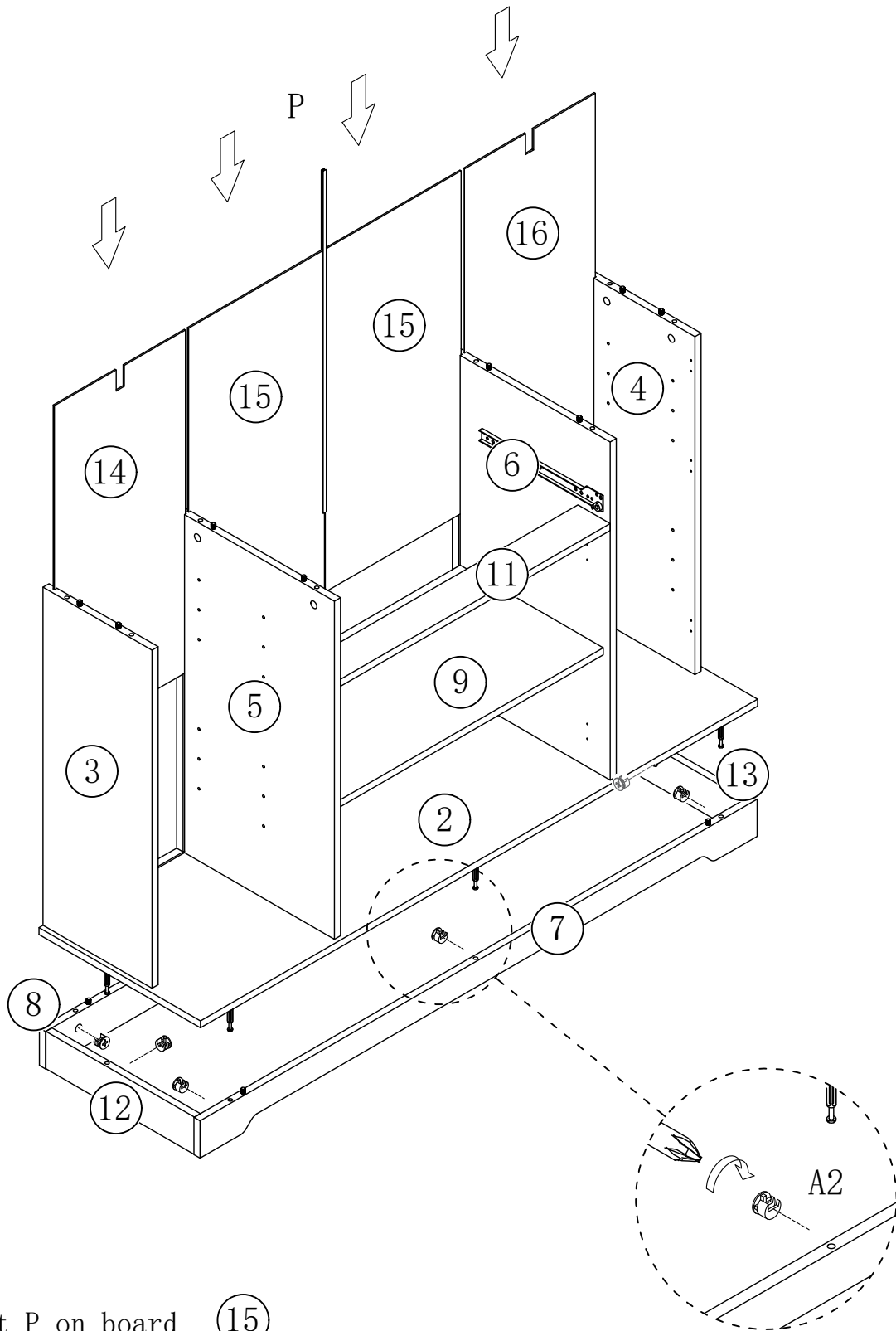
	C*4
---	-----

22



Put C on board (2)



	C*4
---	-----

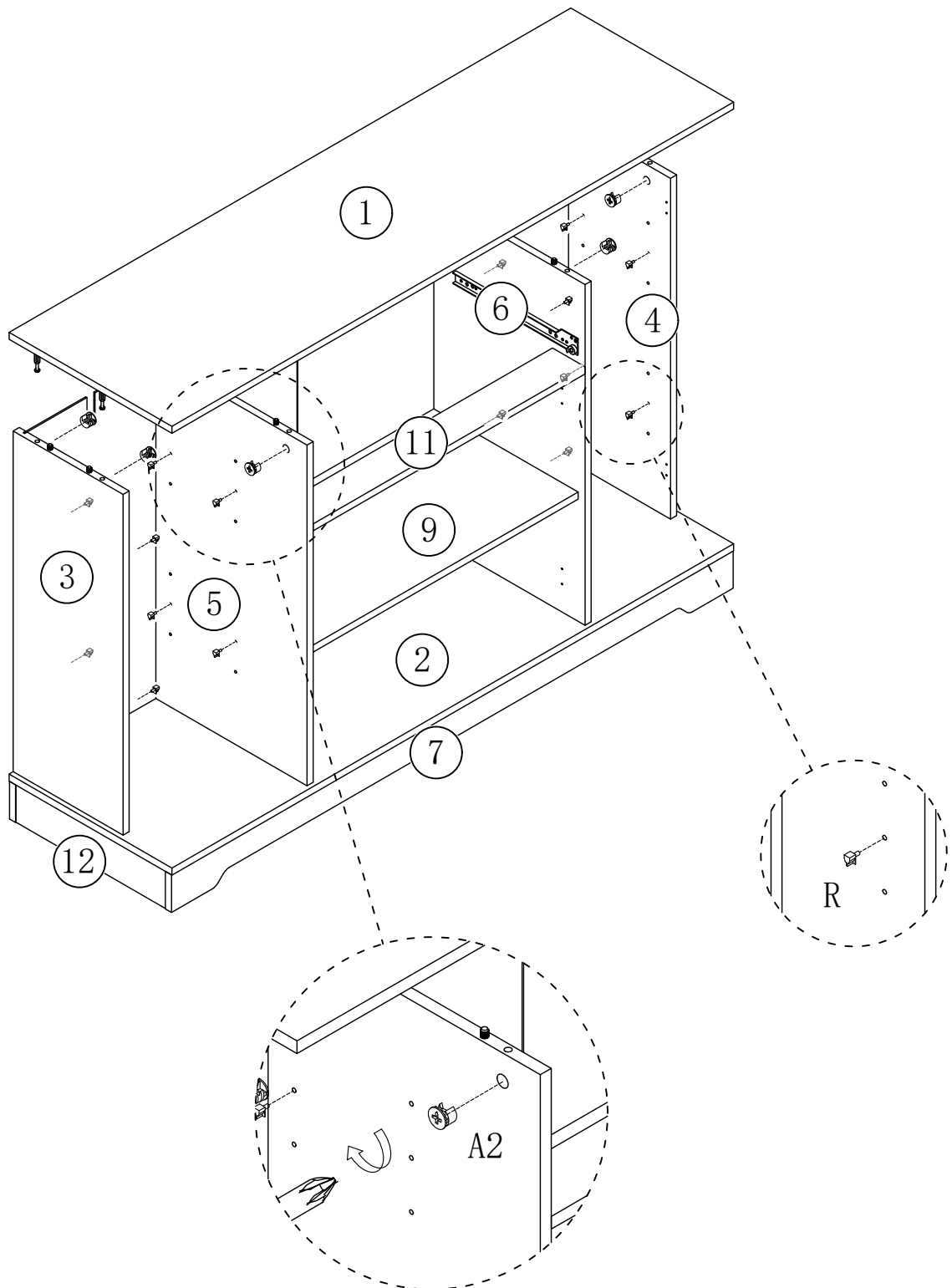


Put P on board (15)



Put A2 on board (7) (8) (12) (13)

Make sure the arrow on the screw align to the hole on the side.

	<p>P*1</p>
	<p>A2*8</p>

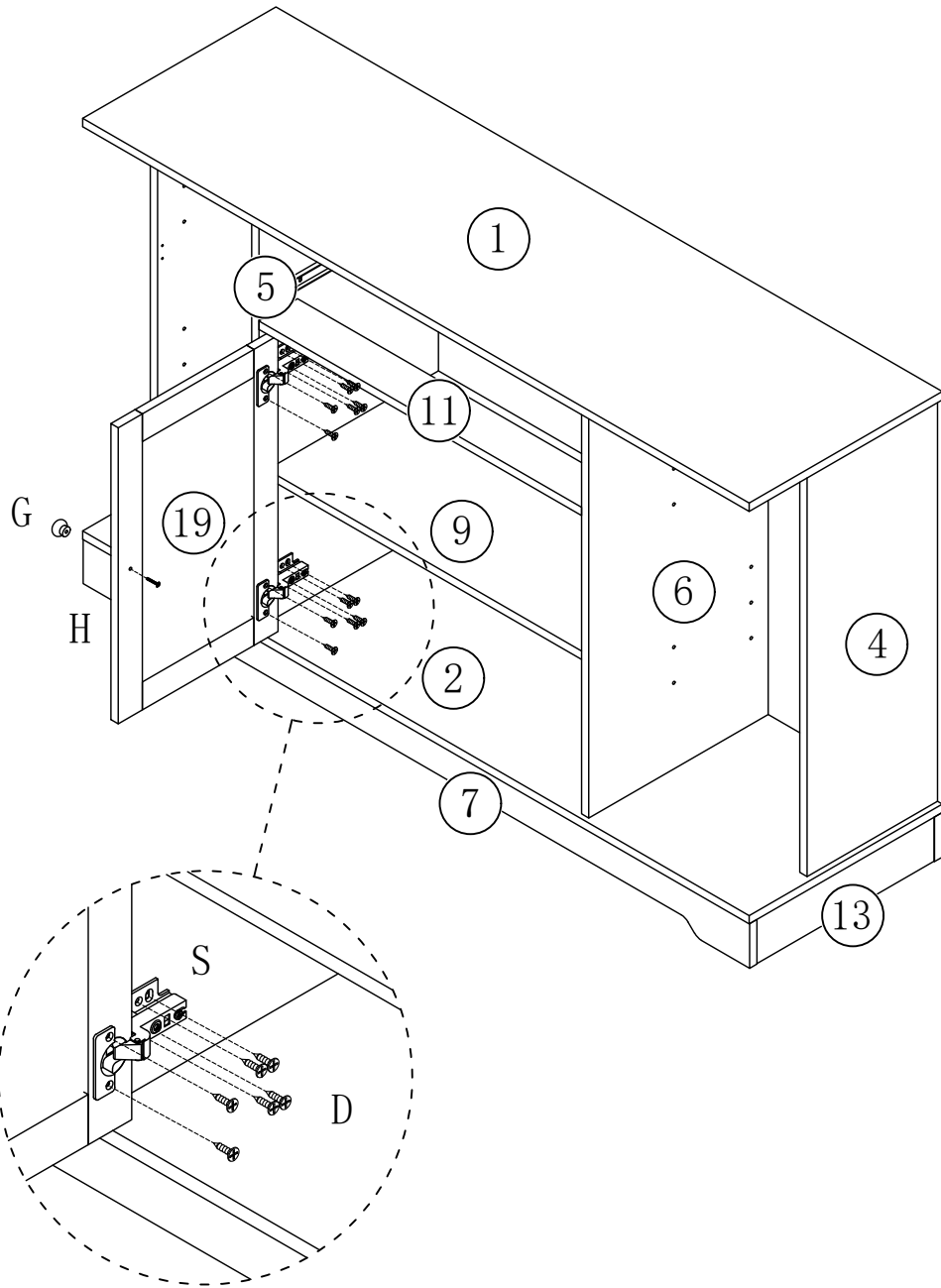


Make sure the arrow on the screw align to the hole on the side.

	<p>R*16</p>
	<p>A2*8</p>


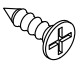


Put A2 on board (3) (4) (5) (6)

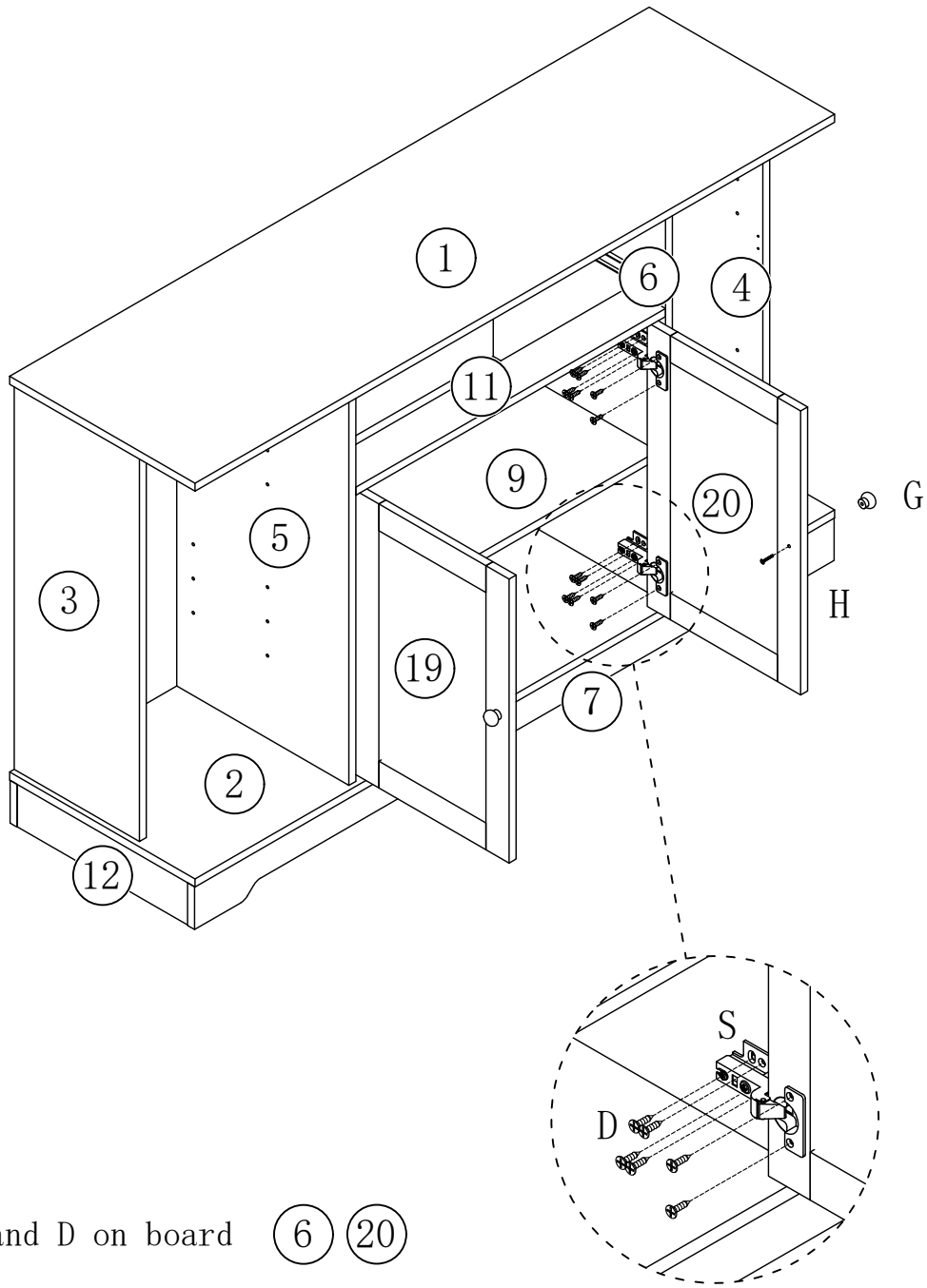
Put R on board (3) (4) (5) (6)



Put S and D on board (5) (19)


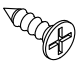


Put G and H on board (19)

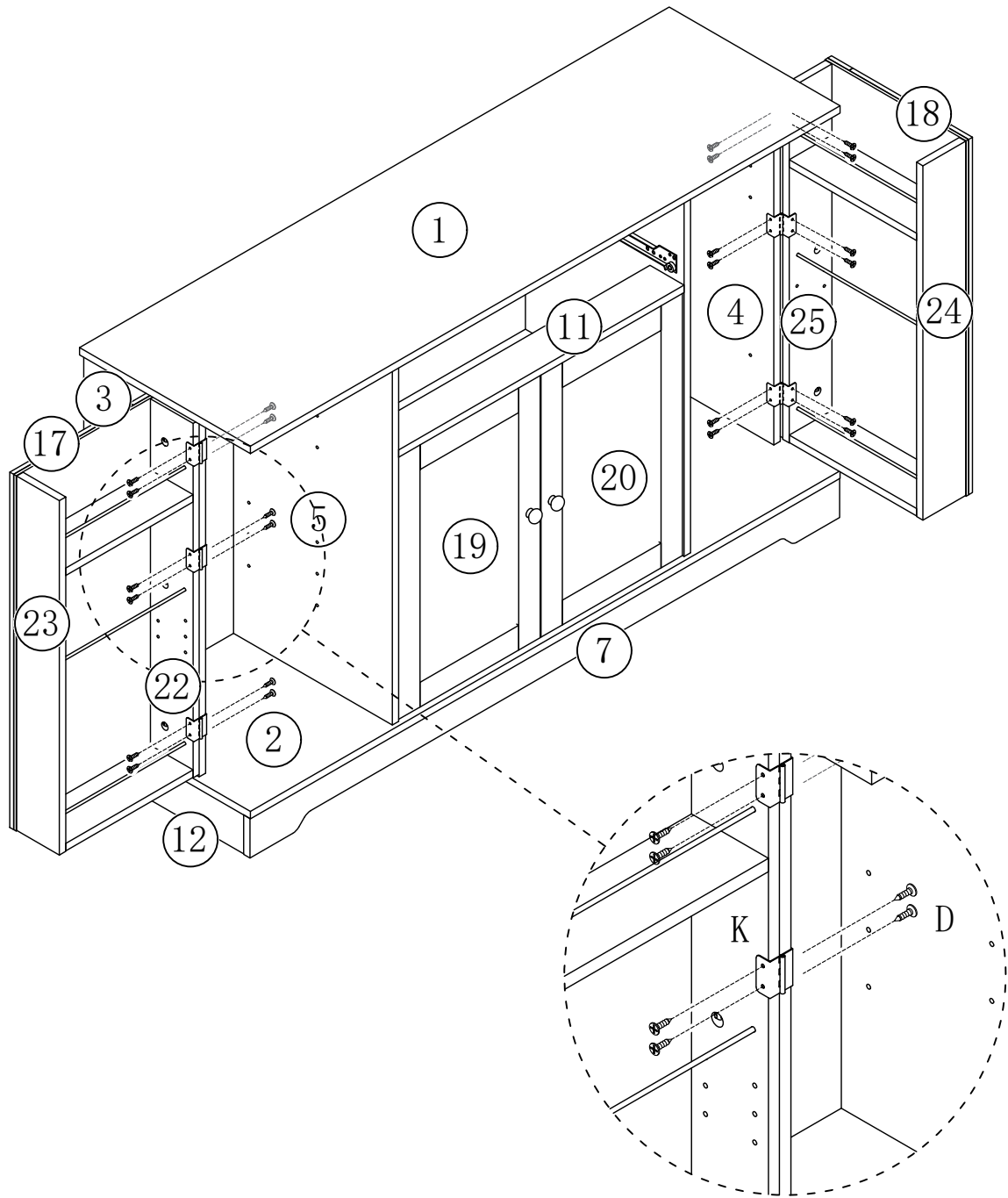
	S*2		D*12
	G*1		H*1



Put S and D on board (6) (20)

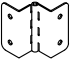

Put G and H on board (20)

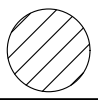
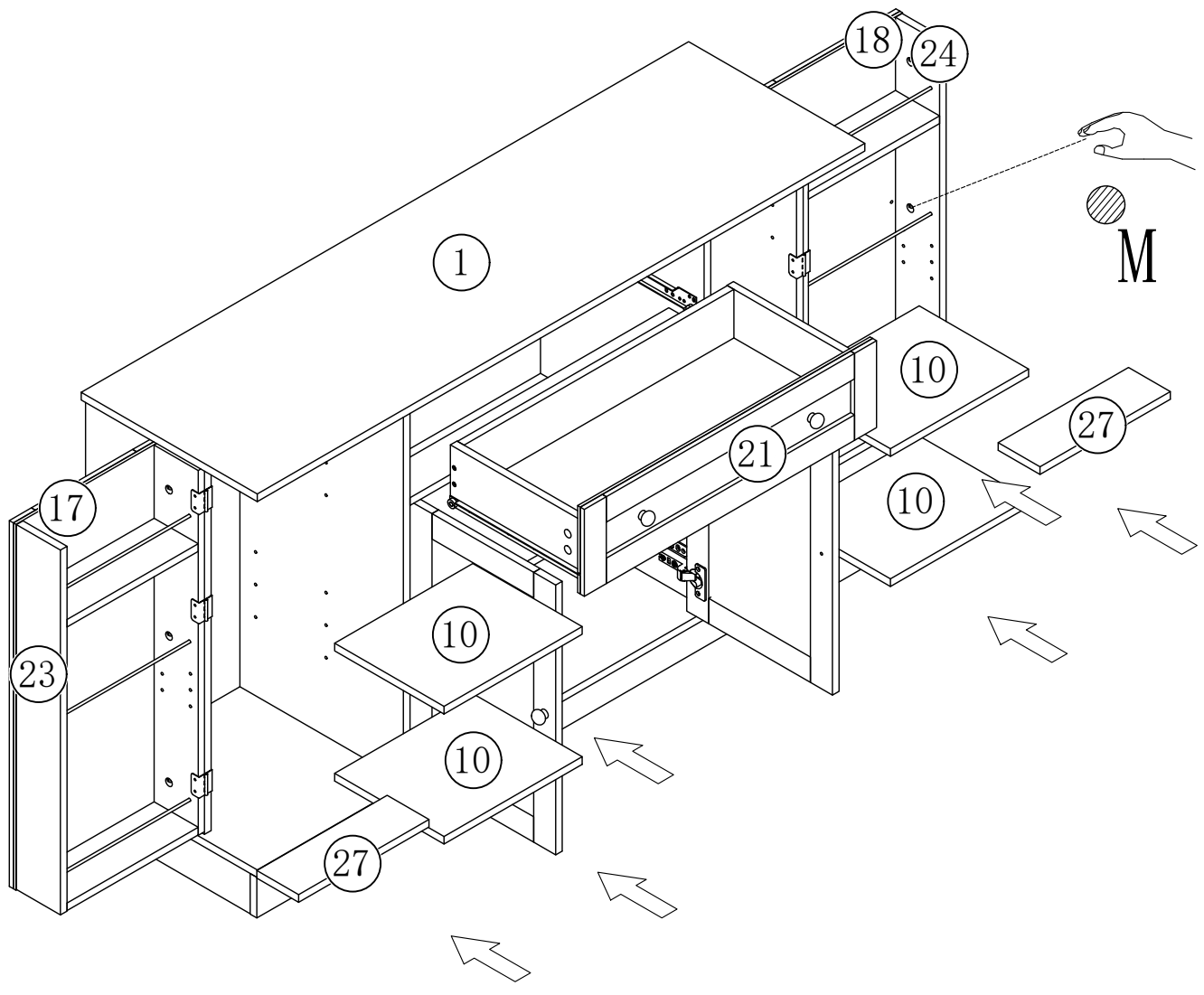
	S*2		D*12
	G*1		H*1



Put K and D on board

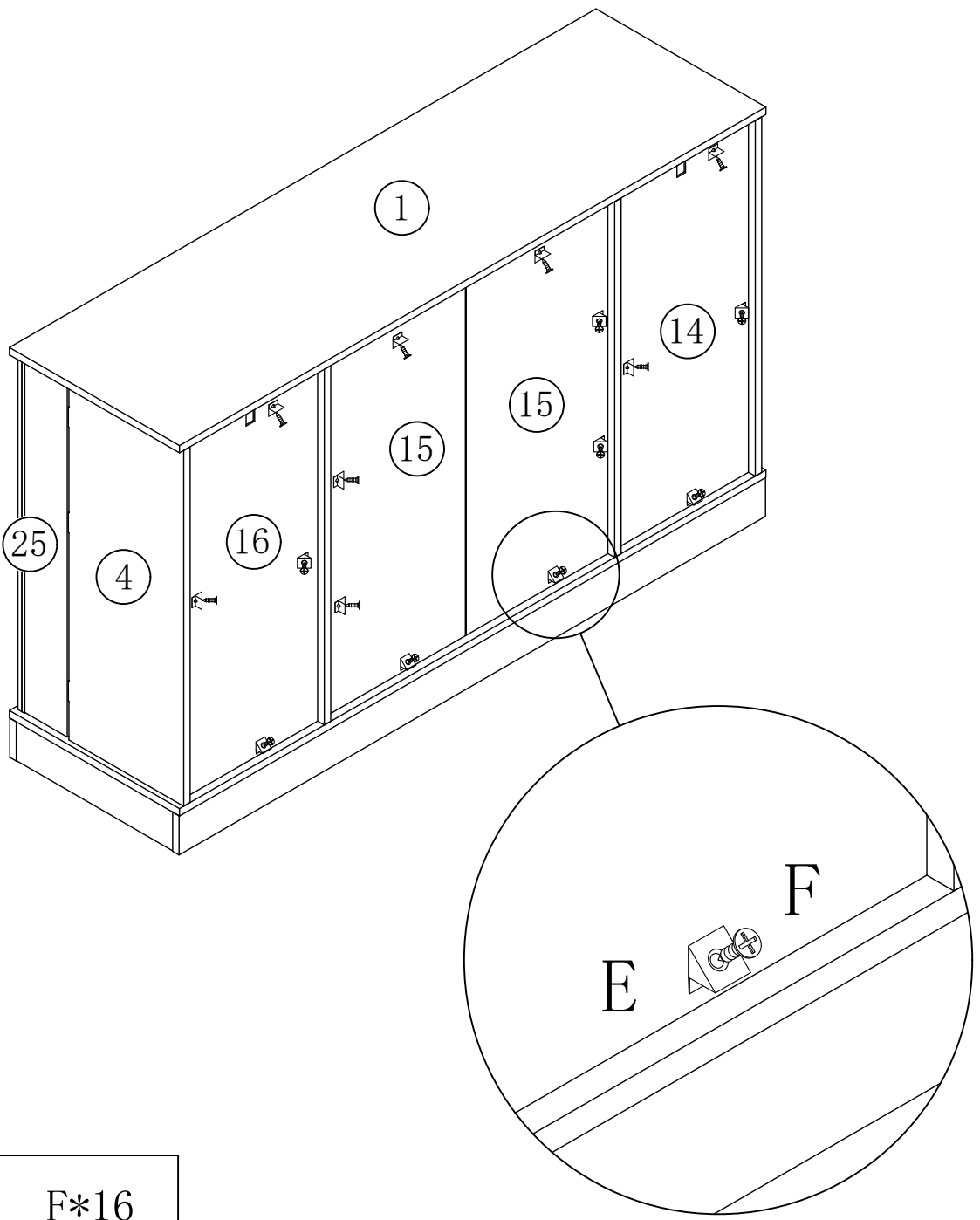
- (3) (22) (4) (25)



	<p>K*6</p>
	<p>D*24</p>

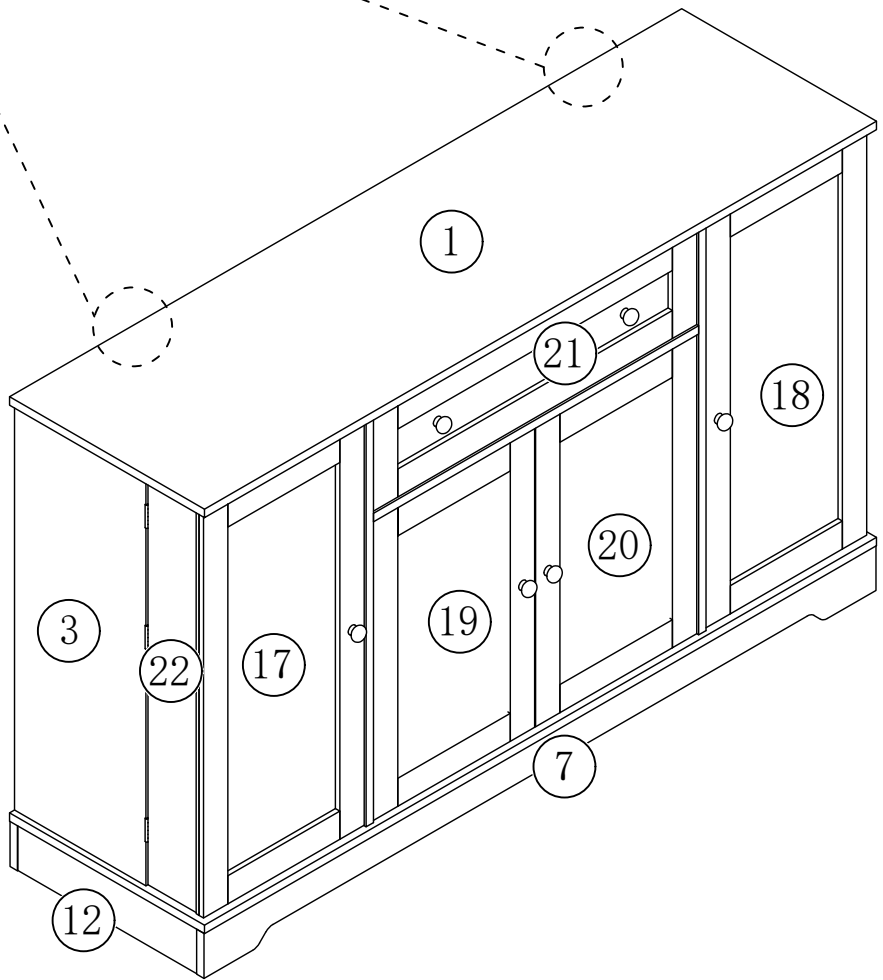
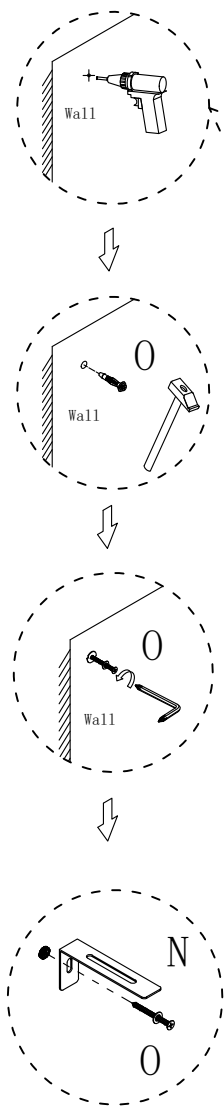


M\*38

Put E and F on board (1) (2) (3) (4) (5) (6) (14) (15) (16)



	F*16
	E*16



Put 0 on the wall.

END

	0*2
---	-----