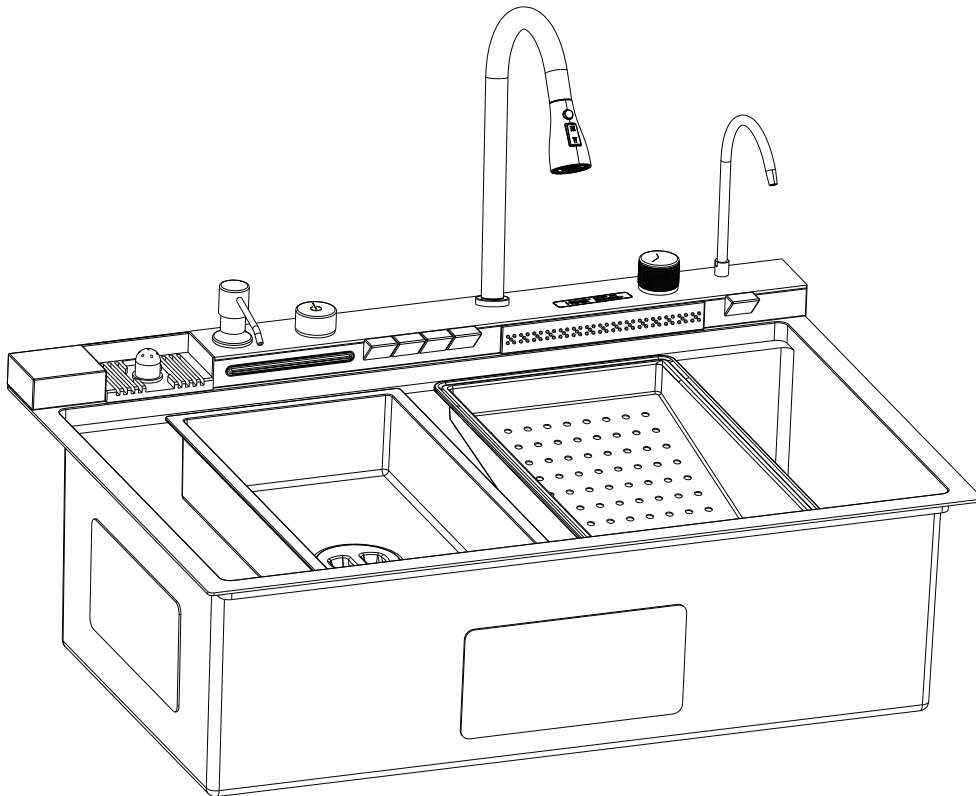
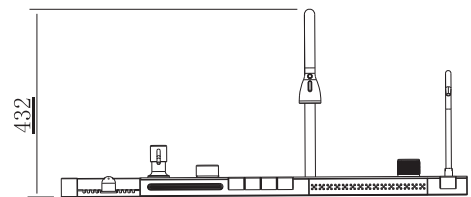
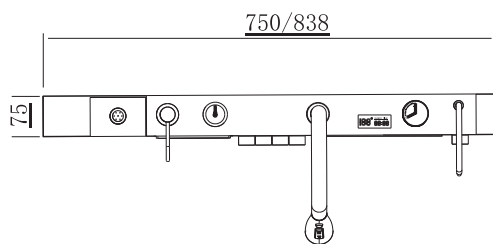
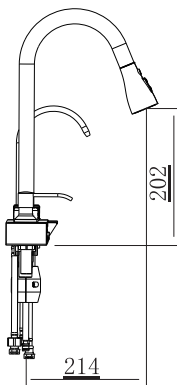


Multifunctional Pull-out Kitchen Faucet

Product Image



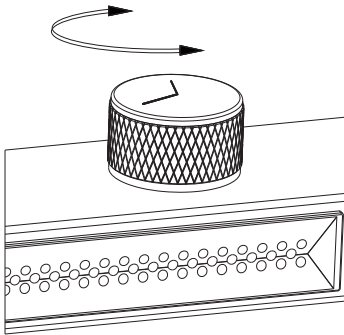
Dimension Diagram (Subject to Actual Product)



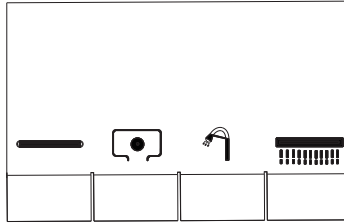
Unit: mm

Multifunctional Pull-out Kitchen Faucet

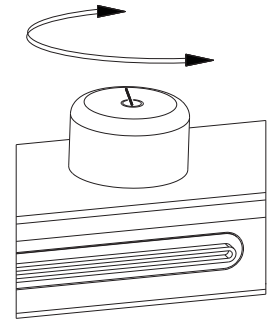
Function Overview



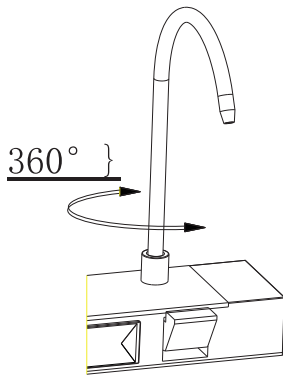
Hot/Cold Valve Handle



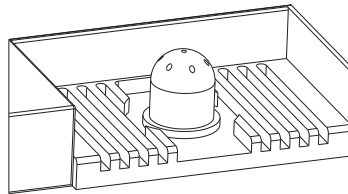
Button Switch



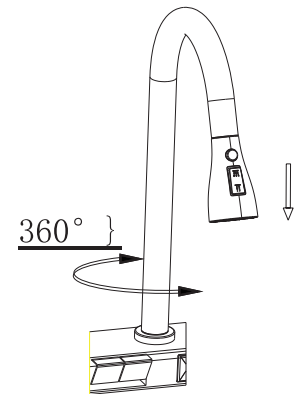
Sink Drain Switch



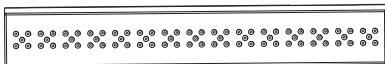
Water Purifier Faucet



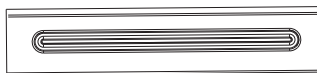
Cup Washer



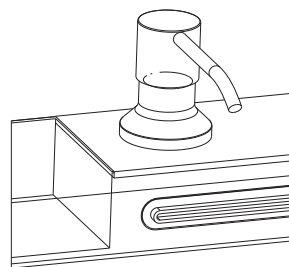
Pull-Out Faucet



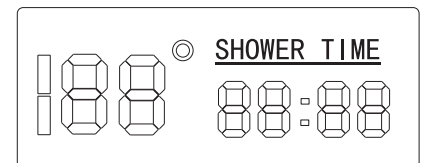
Rainfall Spout



Waterfall Spout



Soap Dispenser



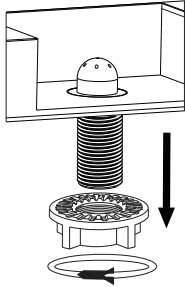
Temp. Display



Multifunctional Pull-out Kitchen Faucet

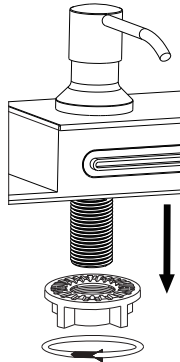
Assembly Instructions

1



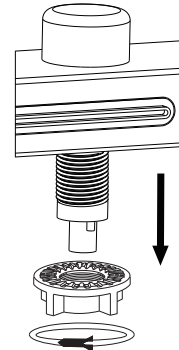
Unscrew the nut of the cup washer's threaded pipe.

2



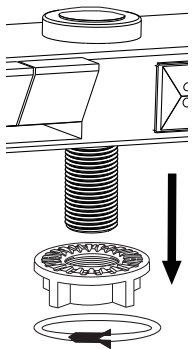
Unscrew the nut of the soap dispenser's threaded pipe.

3



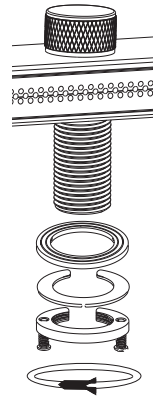
Unscrew the nut of the sink drain switch's threaded pipe.

4



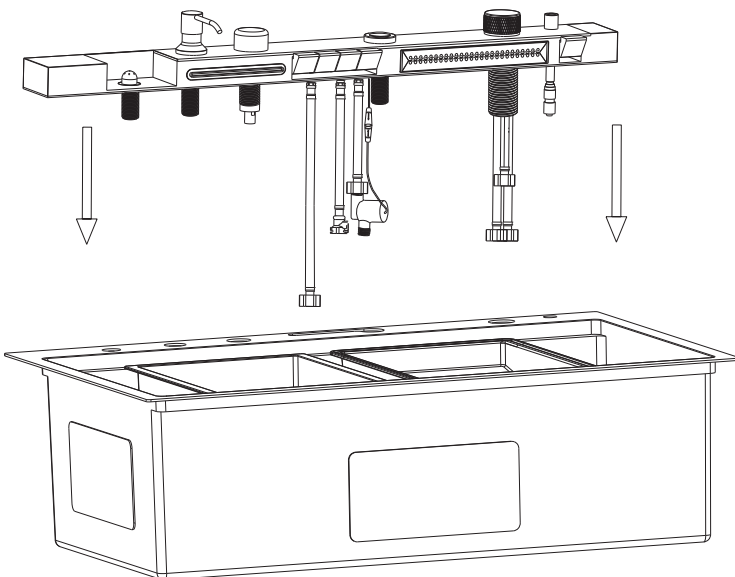
Unscrew the nut of the pull-out faucet's threaded pipe.

5



Unscrew the nut, then remove the round iron sheet and rubber gasket.

6

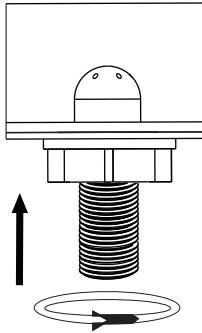


Then align the faucet main body pipe with the sink's installation hole and place it down.

Multifunctional Pull-out Kitchen Faucet

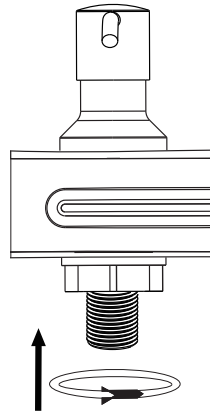
Assembly Instructions

7



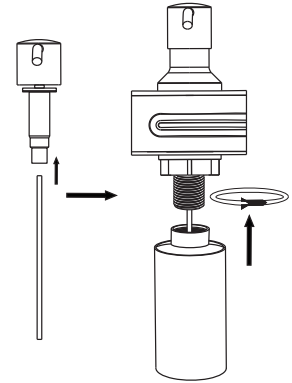
Tighten the nut of the cup washer's threaded pipe.

8



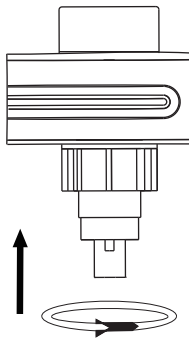
Tighten the nut of the soap dispenser's threaded pipe.

9



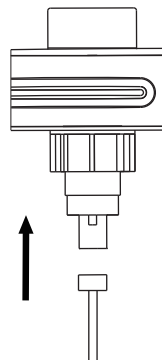
Insert the transparent pipe into the push head and install it, then screw on the soap liquid bottle.

10



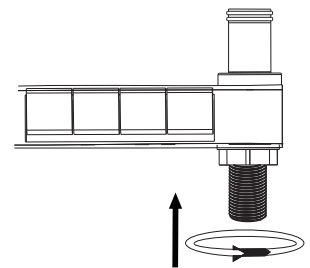
Tighten the nut of the sink drain switch's threaded pipe.

11



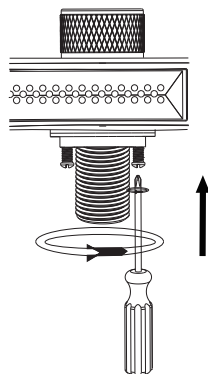
Connect the sink drain switch properly.

12



Tighten the nut of the pull-out faucet's threaded pipe.

13



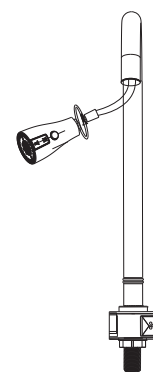
Tighten the nut of the main valve switch's threaded pipe, and lock the screw on the nut with a screwdriver.

14



Insert the faucet elbow of the pull-out faucet.

15

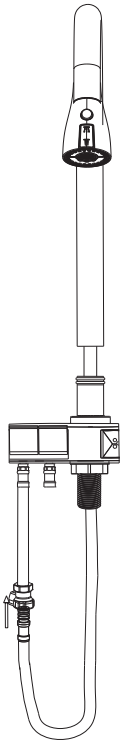


Pass the pull-out pipe through the faucet elbow, and screw on the shower head

Multifunctional Pull-out Kitchen Faucet

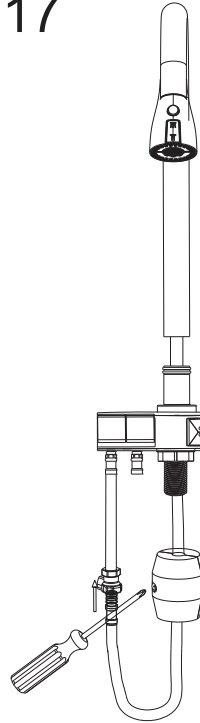
Assembly Instructions

16



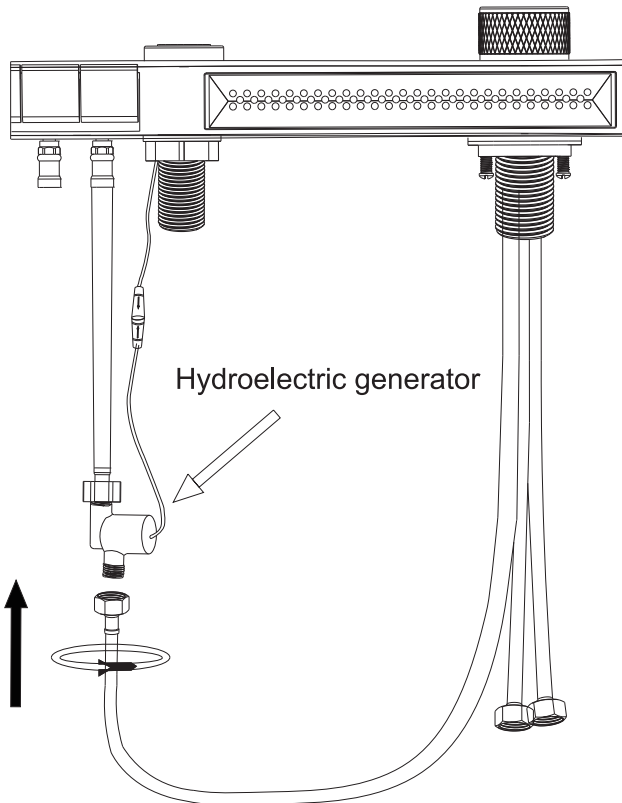
Connect the pull-out pipe to the water inlet pipe.

17



Then install the gravity ball.

18



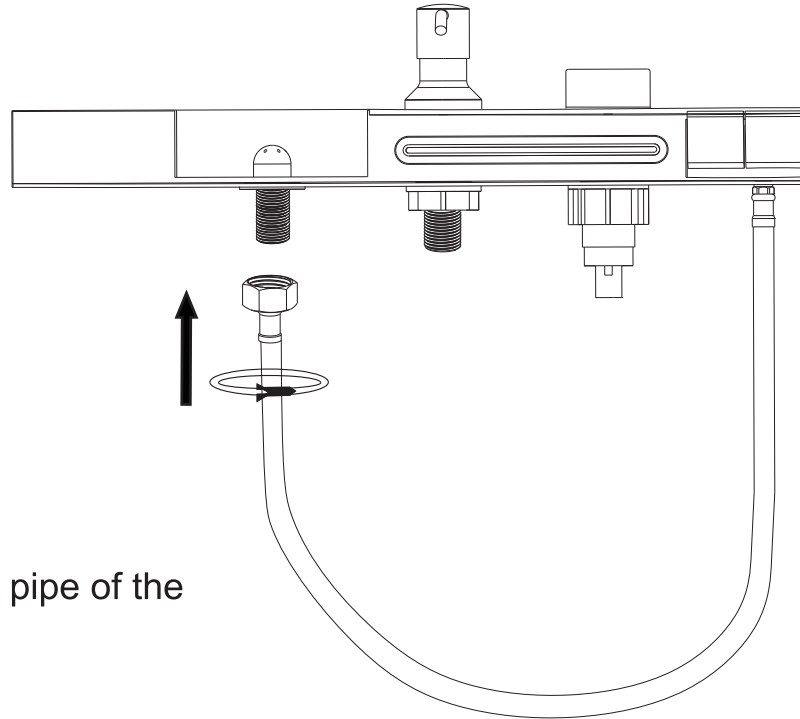
Hydroelectric generator

Connect the mixing pipe to the water inlet pipe.

Multifunctional Pull-out Kitchen Faucet

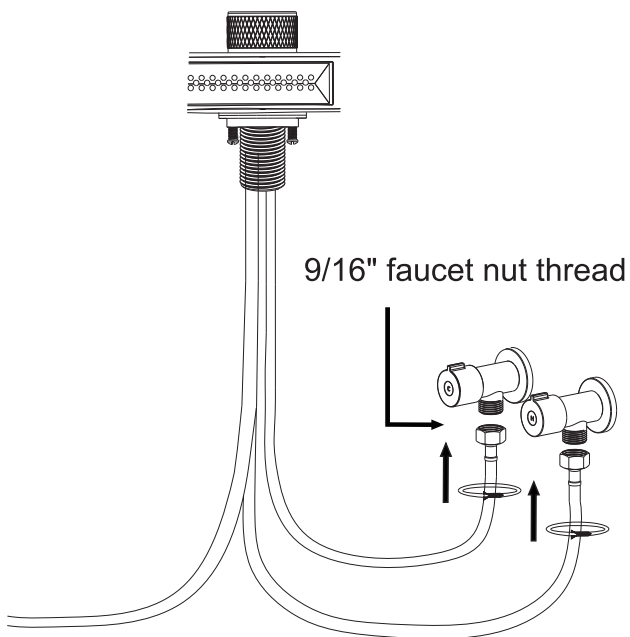
Assembly Instructions

19



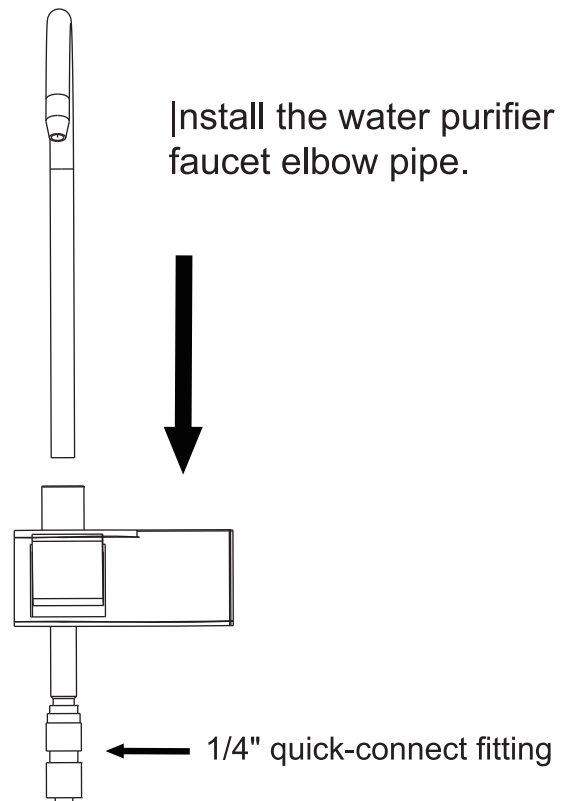
Connect the water inlet pipe of the cup washer properly.

20



Connect the red(hot) and blue(cold) water inlet pipes to the angle valve.

21

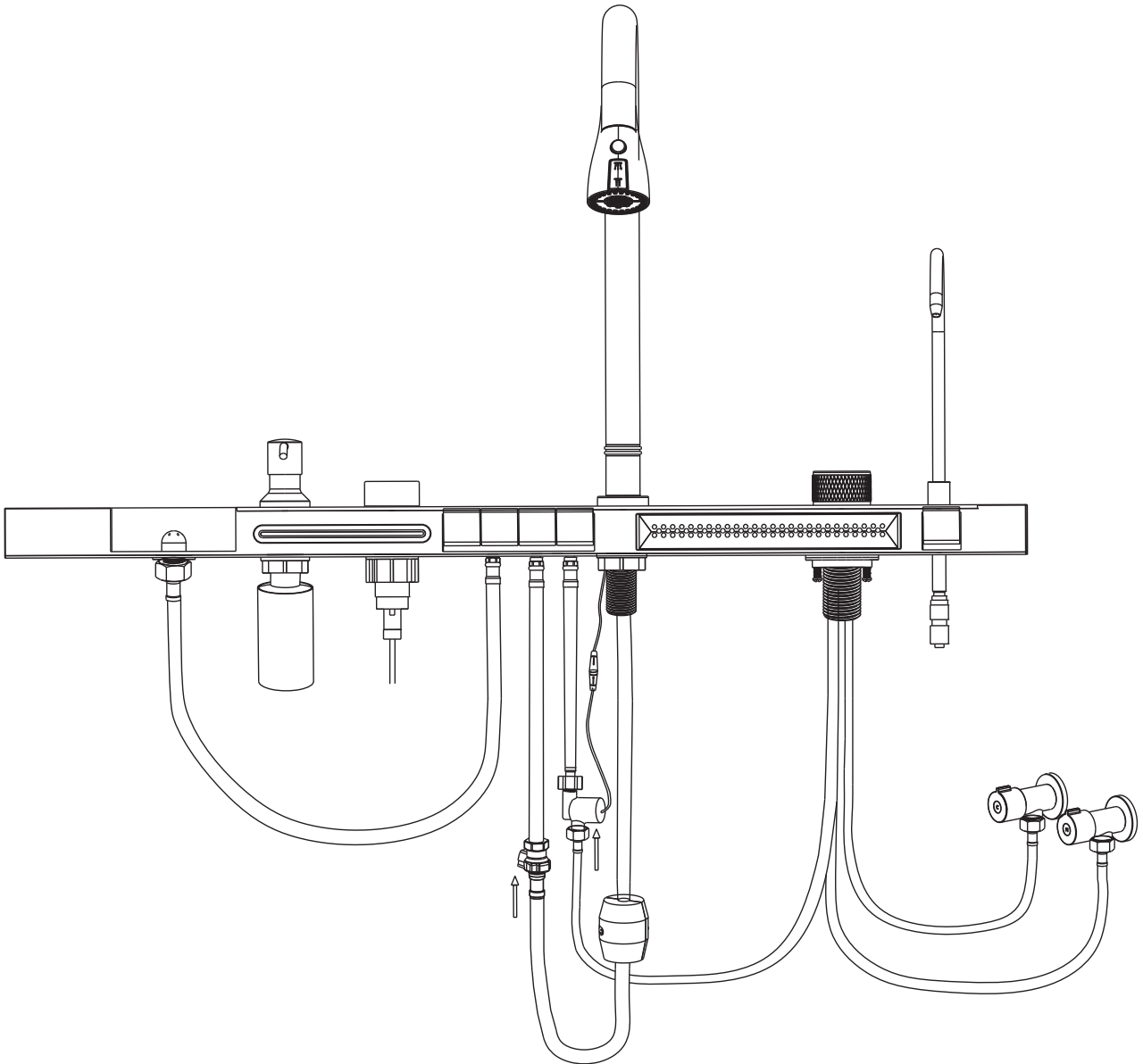


Install the water purifier faucet elbow pipe.

Multifunctional Pull-out Kitchen Faucet

Assembly Instructions

22



Installation Completed

Multifunctional Pull-out Kitchen Faucet

User Guide

1: Turn on the main valve handle and adjust to the appropriate temperature, then press the button switch to release water.

2: When using the cup washer function, place the cup under the water outlet first before turning on the switch button.

3: To add soap liquid to the soap dispenser, simply pull-out the dispense push button head and add soap liquid from the top.

Important Notes

1: When turning off the faucet, the main valve handle must be closed.

2: Applicable water pressure: 0.05MPa-1.0MPa. Do not use it under high pressure for a long time.

3: Applicable temperature: 33.8°F-176°F. Do not use it under high temperature for a long time.