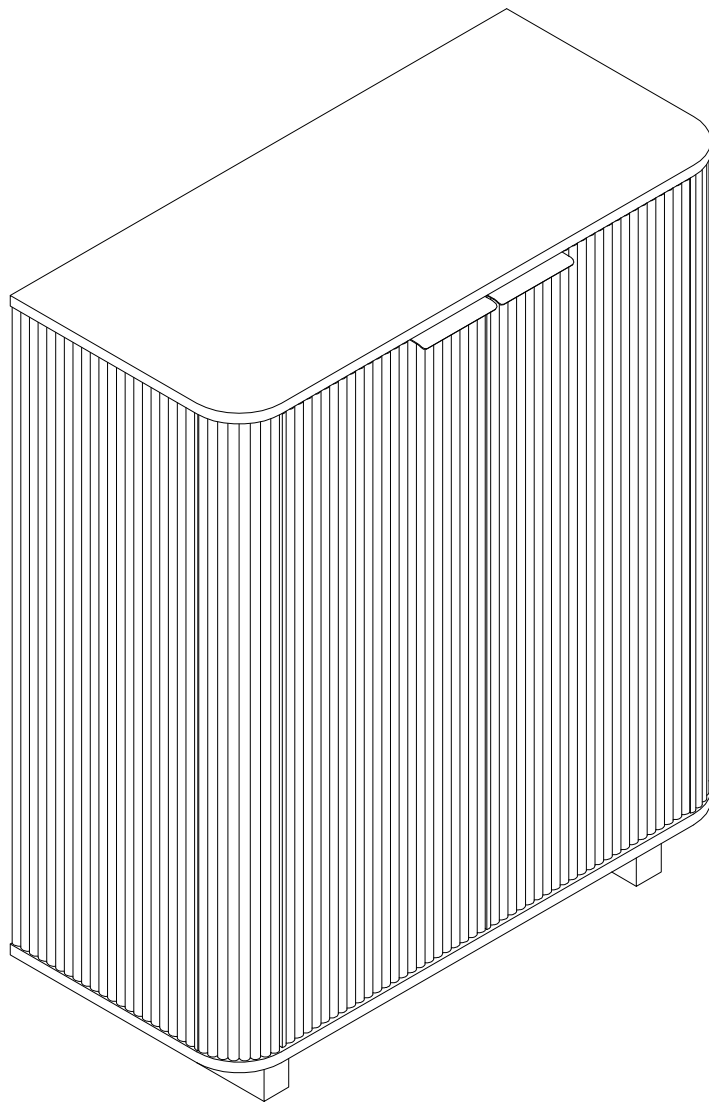


# Assembly Instructions

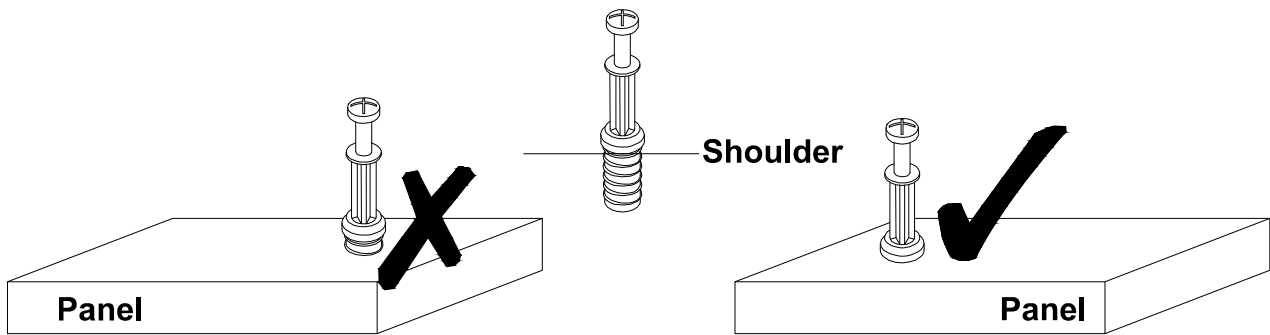


# Before Assembly

## Tips Before Your Start:

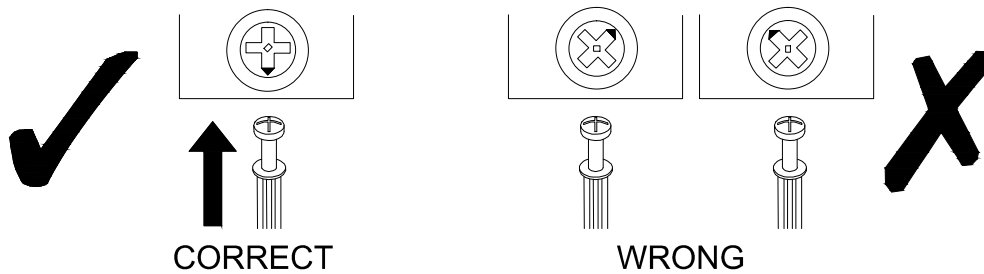
- Remove all wrapping material, including staples & packing straps before you start to assemble.
- DO NOT tighten all screws and bolts until the assembly is completely assembled.
- Keep all hardware parts out of reach of children.

## QUICKFIT



Tighten quickfit until shoulder is flush with panel. Do not overtighten or undertighten.

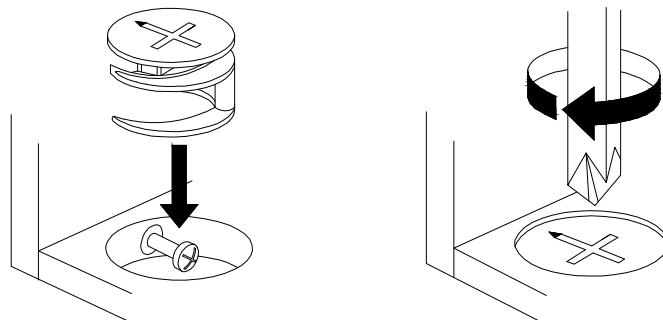
## CAM LOCK



When fitting a cam lock, ensure the starting position is correct before inserting the connecting QUI CKFIT




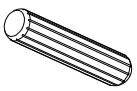
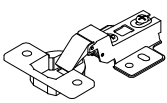
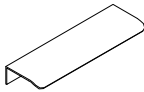
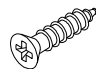
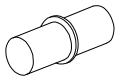

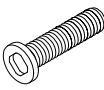


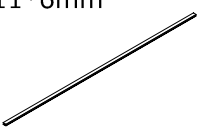
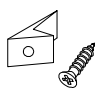
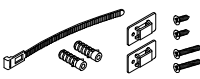
Quickfit head should be in the centre of the cam lock when the two panels are joined.

Cam lock should be inserted before quickfit.

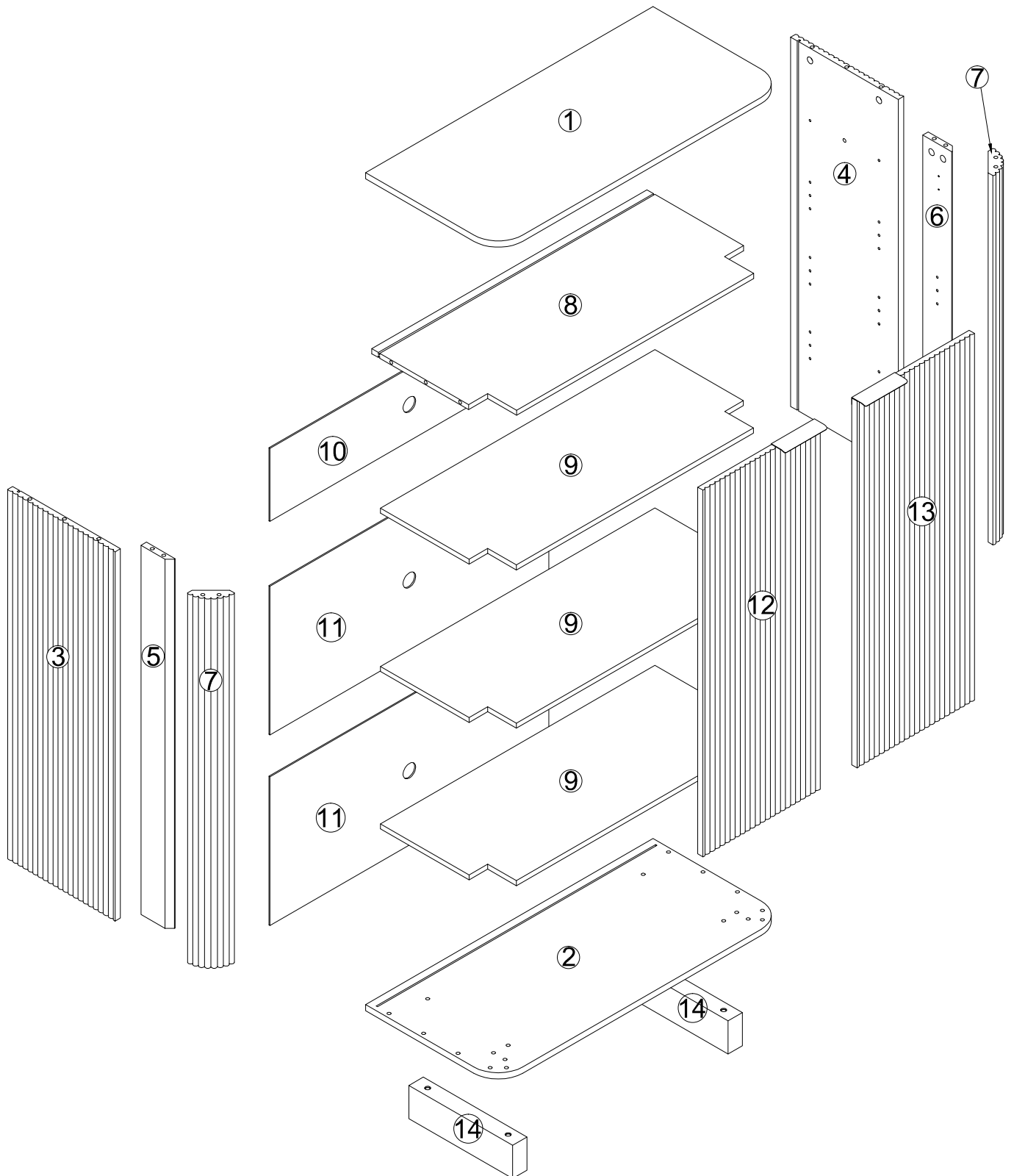


Turn cam lock clockwise to tighten.

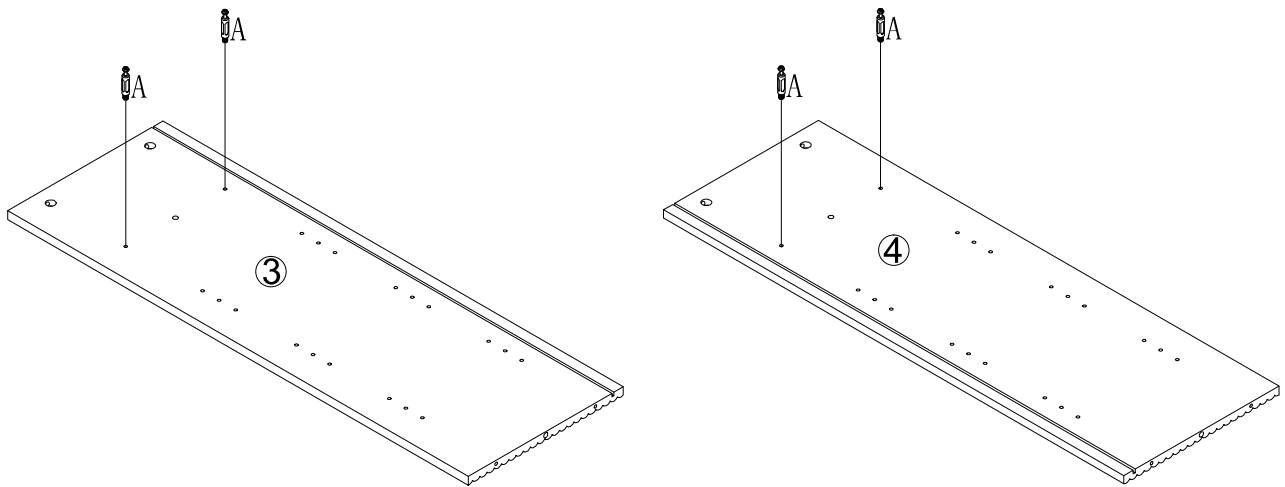
# Part List

<p><b>No. A</b> Quantity:12 Pcs Cam Lock Dowel 8*28mm</p> 	<p><b>No. B</b> Quantity:12 Pcs Cam φ15</p> 	<p><b>No. C</b> Quantity:12 Pcs Sticker Ø20</p> 	<p><b>No. D</b> Quantity:10 Pcs Dowel 8*30mm</p> 
<p><b>No. E</b> Quantity:4 Pcs Hinge</p> 	<p><b>No. F</b> Quantity:2 Pcs Handle</p> 	<p><b>No. G</b> Quantity:28 Pcs Screw M3.5*14mm</p> 	<p><b>No. H</b> Quantity:18 Pcs Shelf Support M5*15mm</p> 
<p><b>No. I</b> Quantity:4 Pcs Foot Pad Ø15</p> 	<p><b>No. J</b> Quantity:4 Pcs Screw M6*35mm</p> 	<p><b>No. K</b> Quantity:12 Pcs Screw M6*40mm</p> 	<p><b>No. L</b> Quantity:1 Pc Allen Key 4#</p> 
<p><b>No. M</b> Quantity:1 Pc Backboard spline 760*11*6mm</p> 	<p><b>No. N</b> Quantity:12 Sets Plastic Wedge</p> 	<p><b>No. O</b> Quantity:1 Sets Anti-falling Parts</p> 	

# Product structure



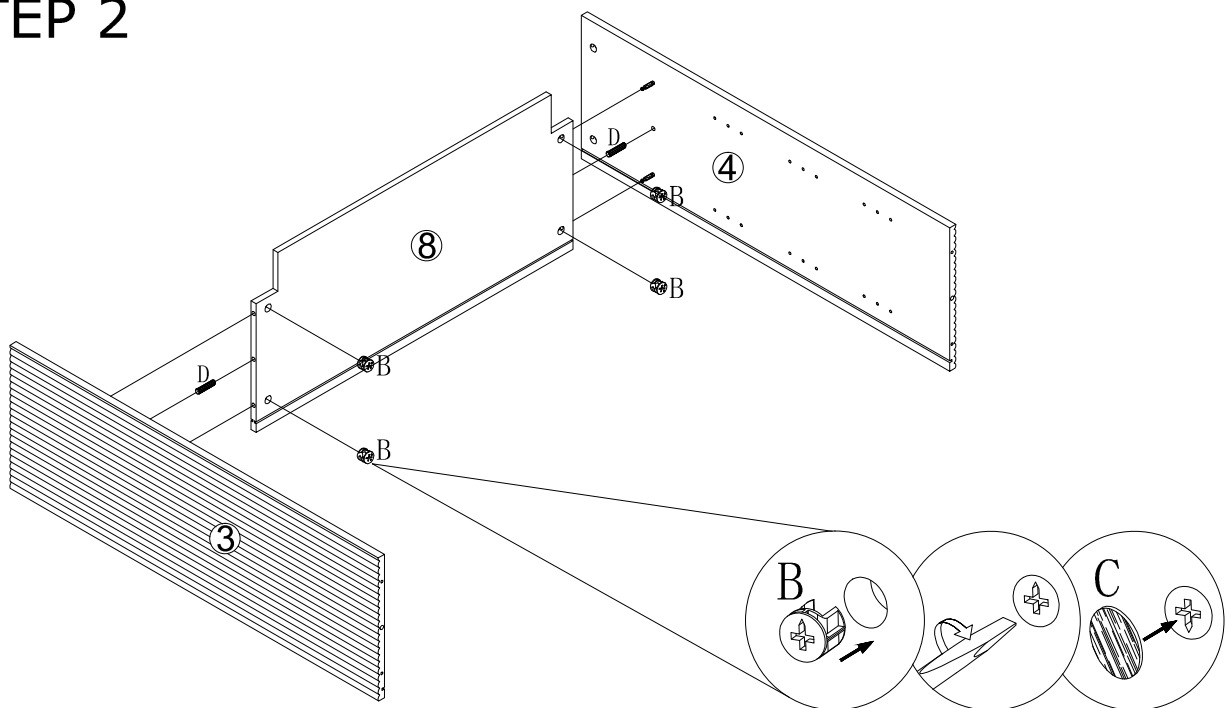
# STEP 1



No. A  
Quantity: 4 Pcs  
8\*28 mm



# STEP 2



No. B  
Quantity: 4 Pcs  
Ø15



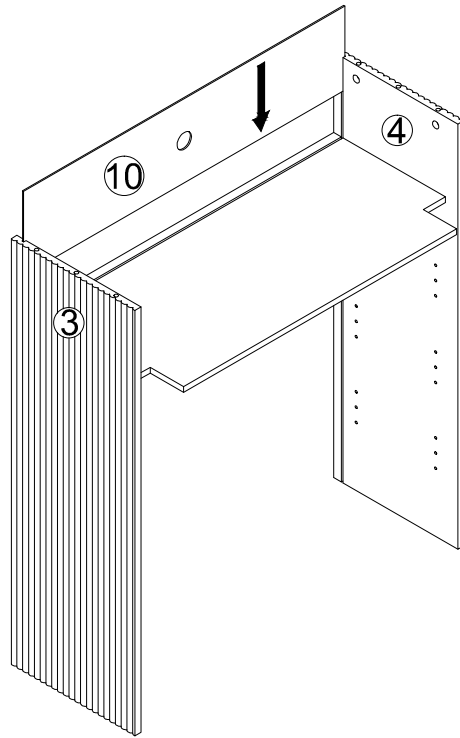
No. C  
Quantity: 4 Pcs  
Ø20



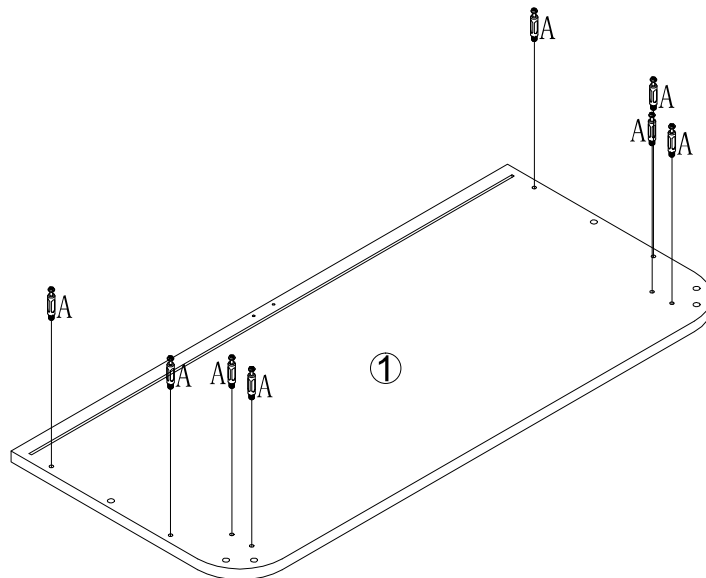
No. D  
Quantity: 2 Pcs  
8\*30mm



# STEP 3



# STEP 4



No. A  
Quantity: 8 Pcs  
8\*28 mm



# STEP 5

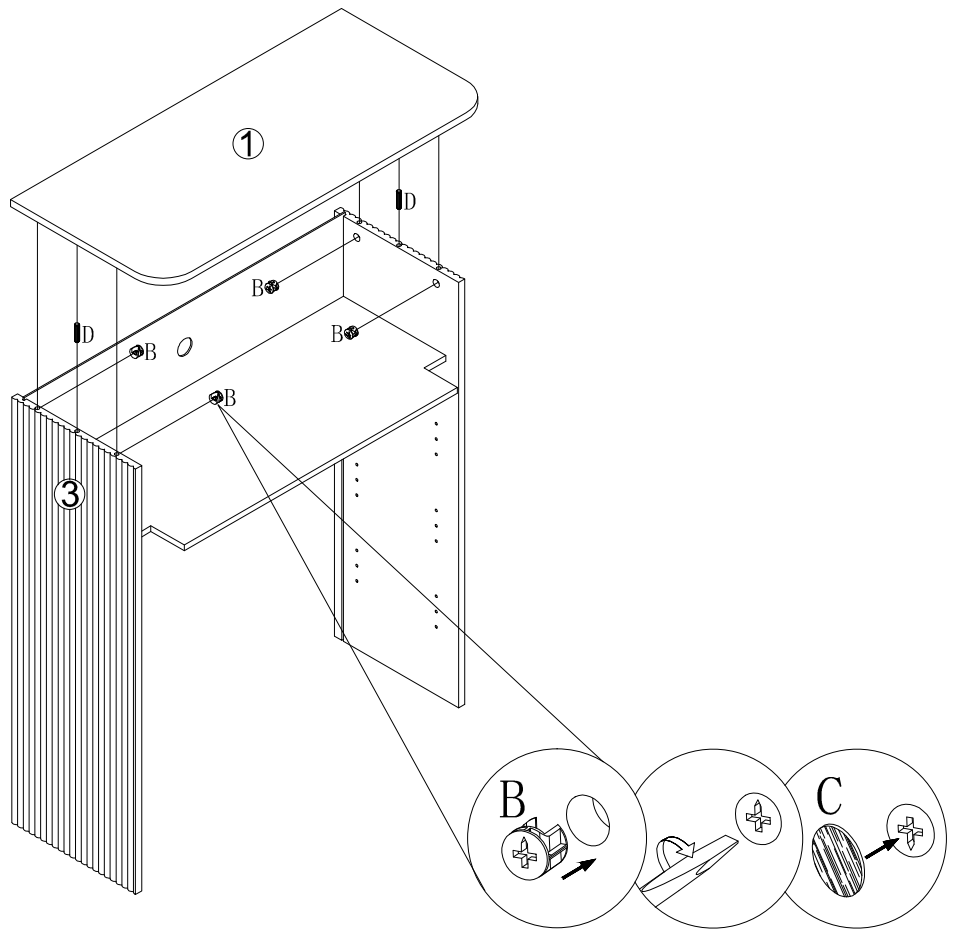
No. B  
Quantity: 4 Pcs  
Ø15



No. C  
Quantity: 4 Pcs  
Ø15



No. D  
Quantity: 2 Pcs  
8\*30mm



# STEP 6

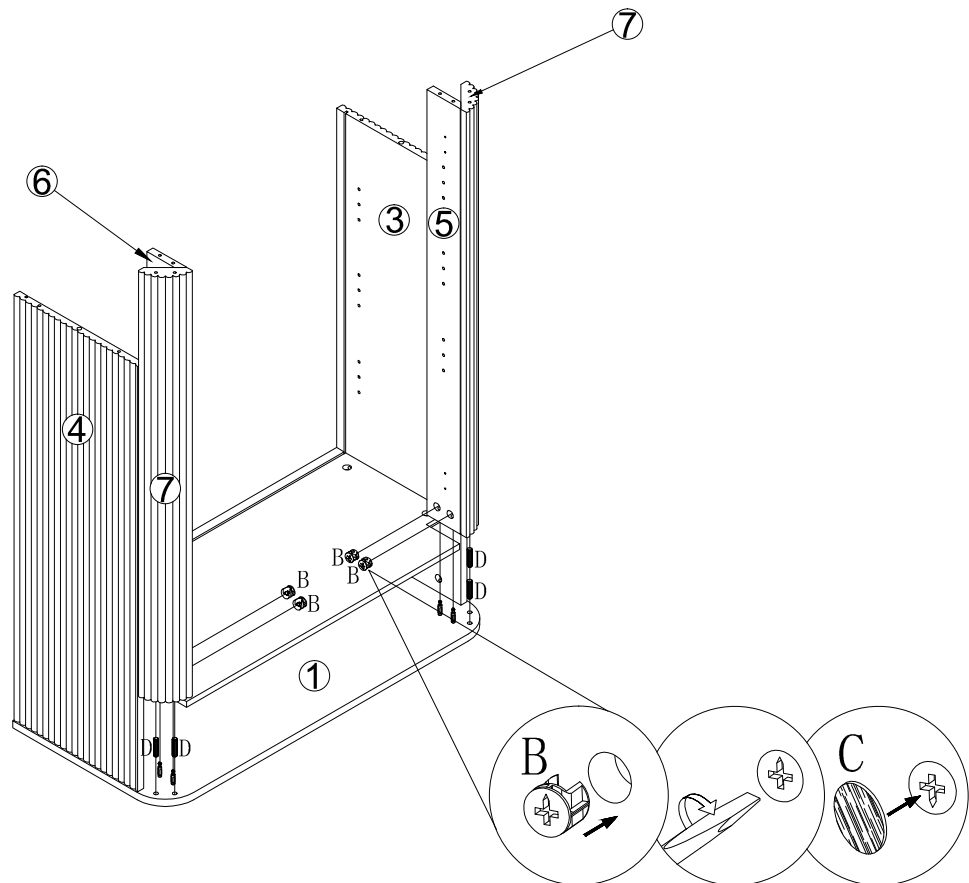
No. B  
Quantity: 4 Pcs  
Ø15



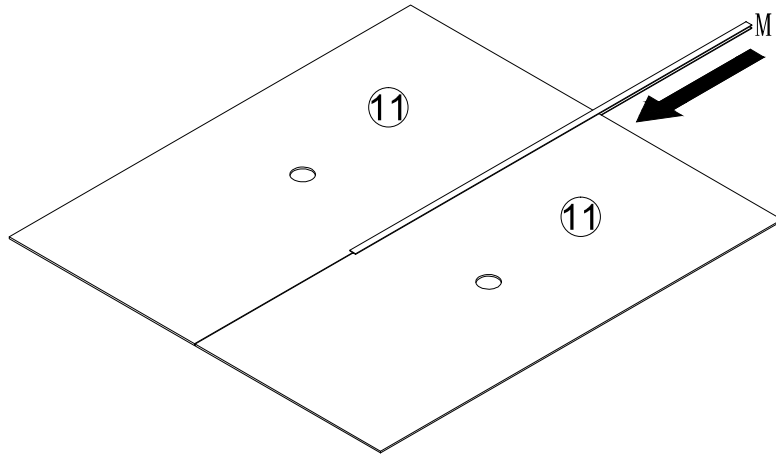
No. C  
Quantity: 4 Pcs  
Ø15



No. D  
Quantity: 4 Pcs  
8\*30mm



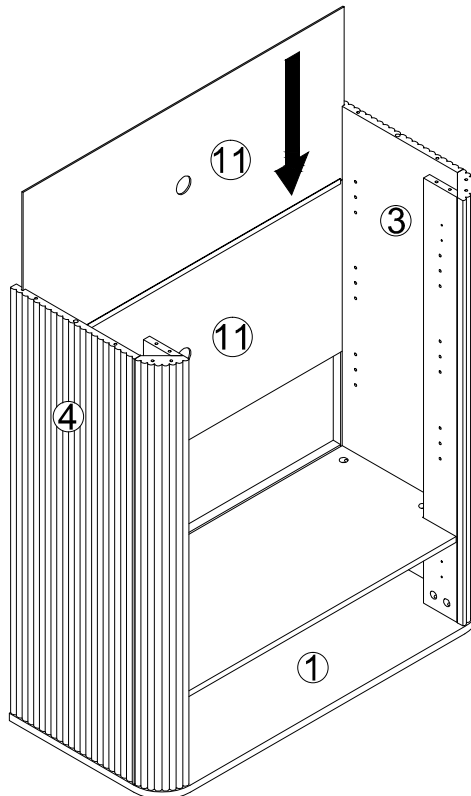
# STEP 7



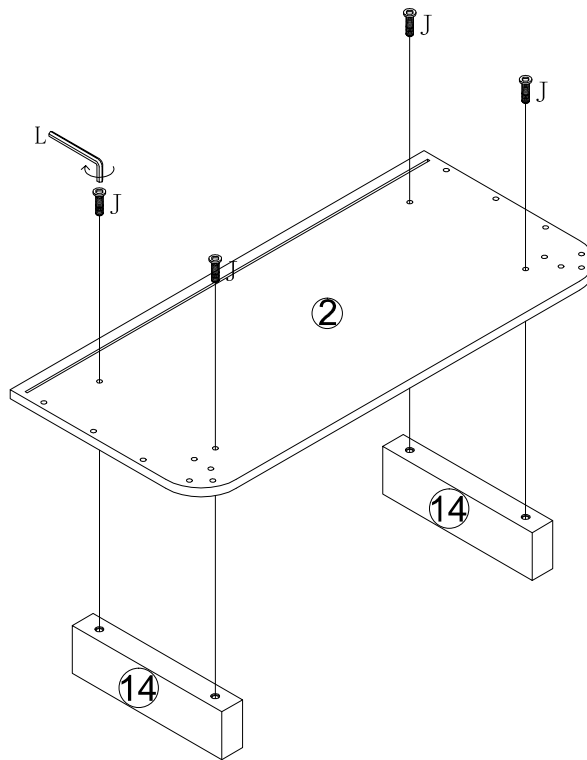
No. M  
Quantity: 1 Pc  
760\*11\*6mm



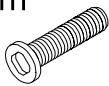
# STEP 8



# STEP 9



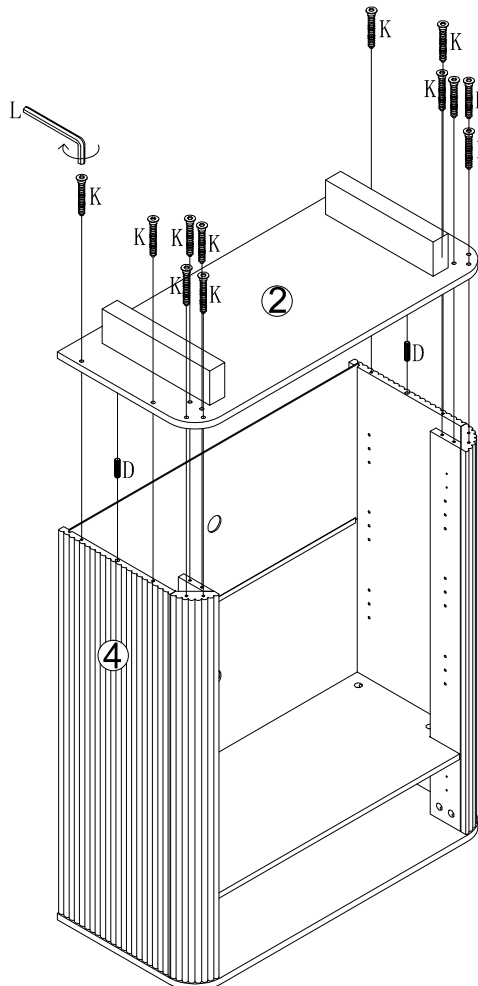
No. J  
Quantity: 4 Pcs  
M6\*35mm



No. L  
Quantity: 1 Pc  
4#



# STEP 10



No. D  
Quantity: 2 Pcs  
8\*30mm



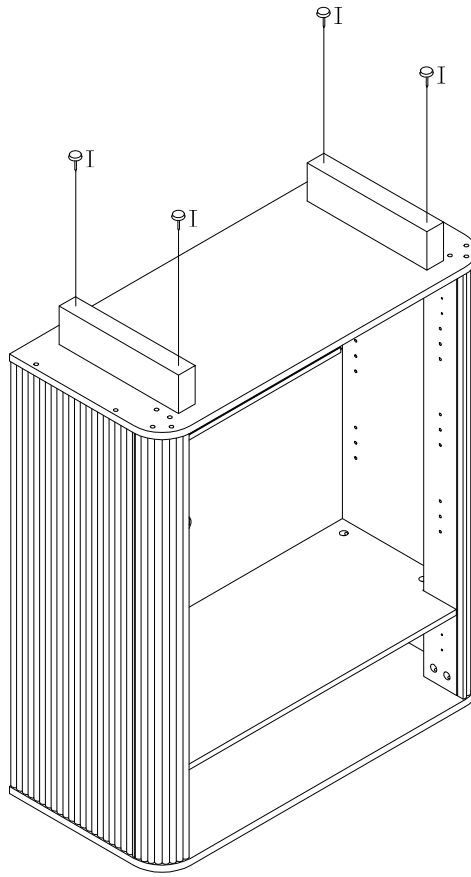
No. K  
Quantity: 12 Pcs  
M6\*40mm



No. L  
Quantity: 1 Pc  
4#



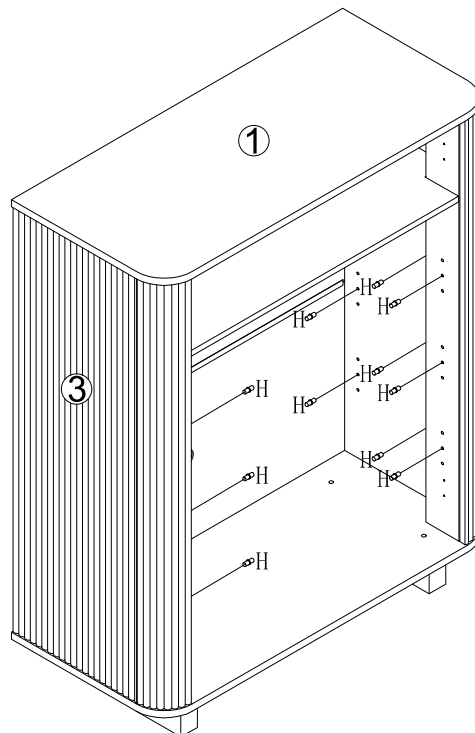
# STEP 11



No. I  
Quantity: 4 Pcs  
Ø15



# STEP 12

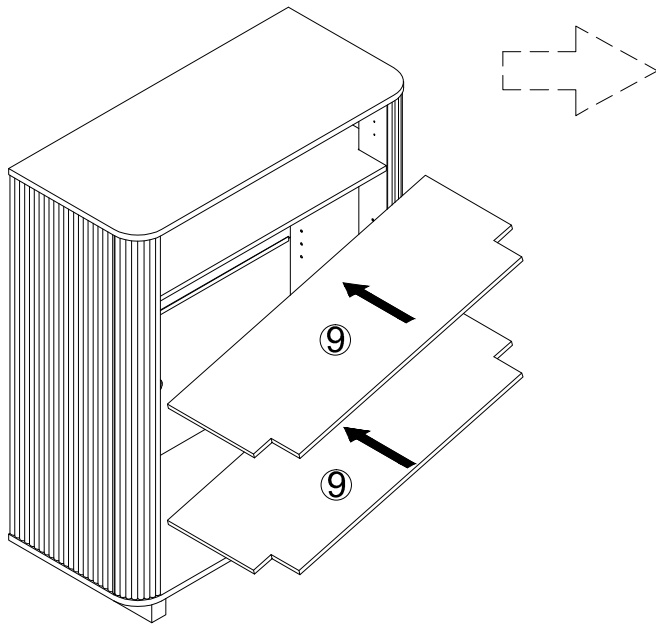


No. H  
Quantity: 18 Pcs  
M5\*15mm

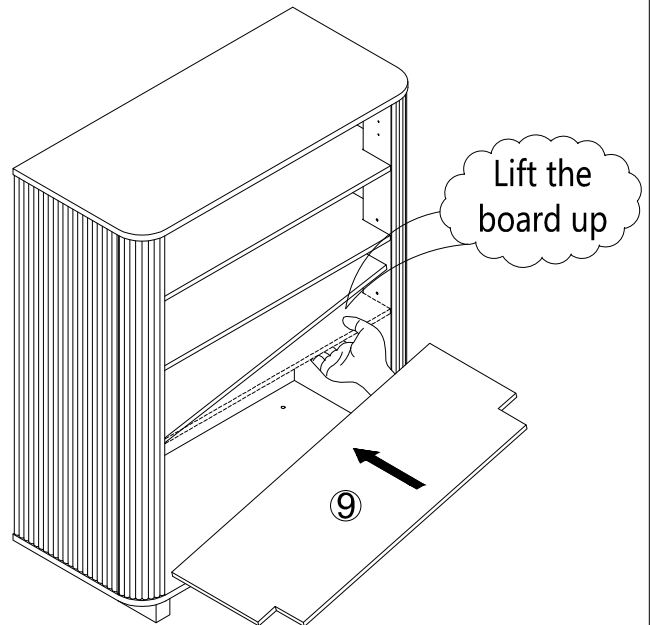


# STEP 13

① When installing here, place three parts numbered 9, first place two of them on the upper level.

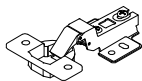


② When it comes to the last plank, lift the middle one slightly, it will be easier to place.

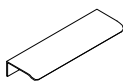


# STEP 14

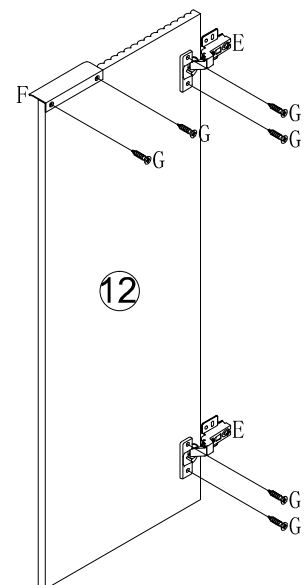
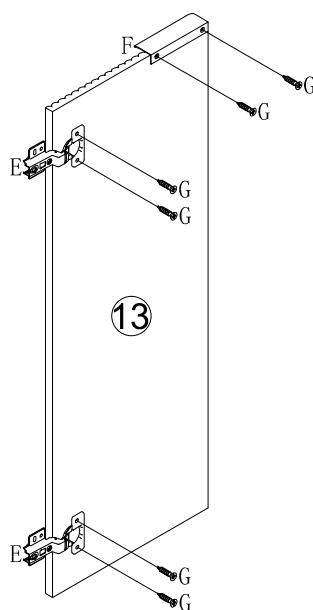
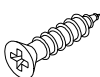
No. E  
Quantity: 4 Pcs



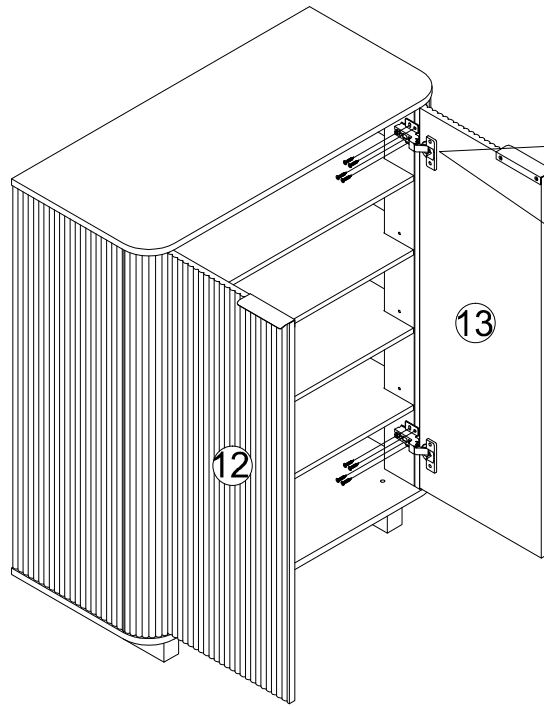
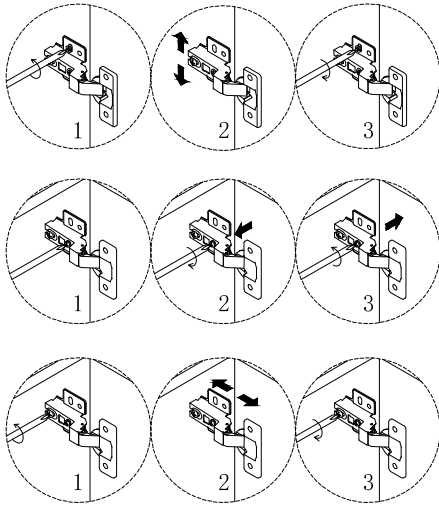
No. F  
Quantity: 2 Pcs



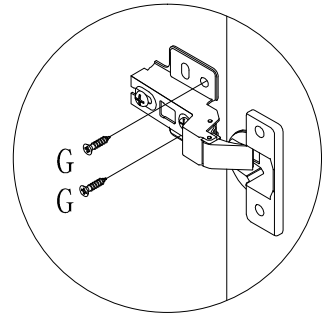
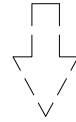
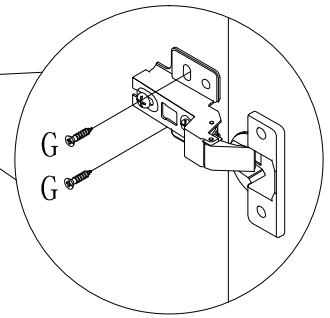
No. G  
Quantity: 12 Pcs  
M3.5\*14mm



## STEP 15

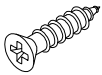


First align the pilot holes and tighten the two screws inside.

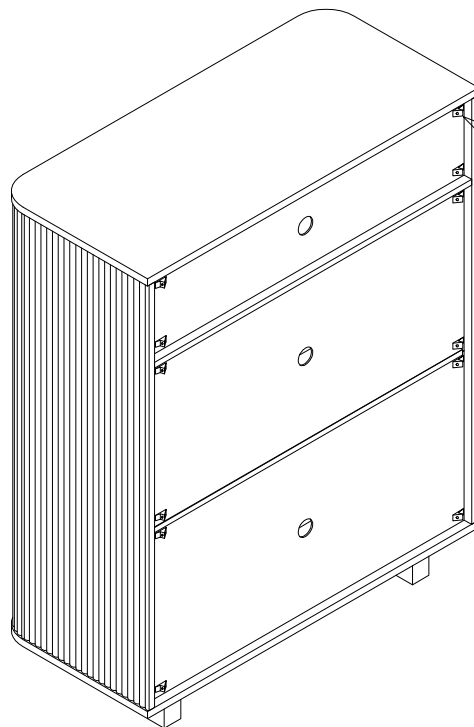


After adjusting the gap of the cabinet door evenly, then fix the two screws on the front side.

No. G  
Quantity: 16 Pcs  
M3.5\*14mm



## STEP 16



Description: Insert the thinner end of the reinforcement into the gap in this back panel, then tighten the screws. This will make the cabinet more stable.

No. N  
Quantity: 12 Sets

