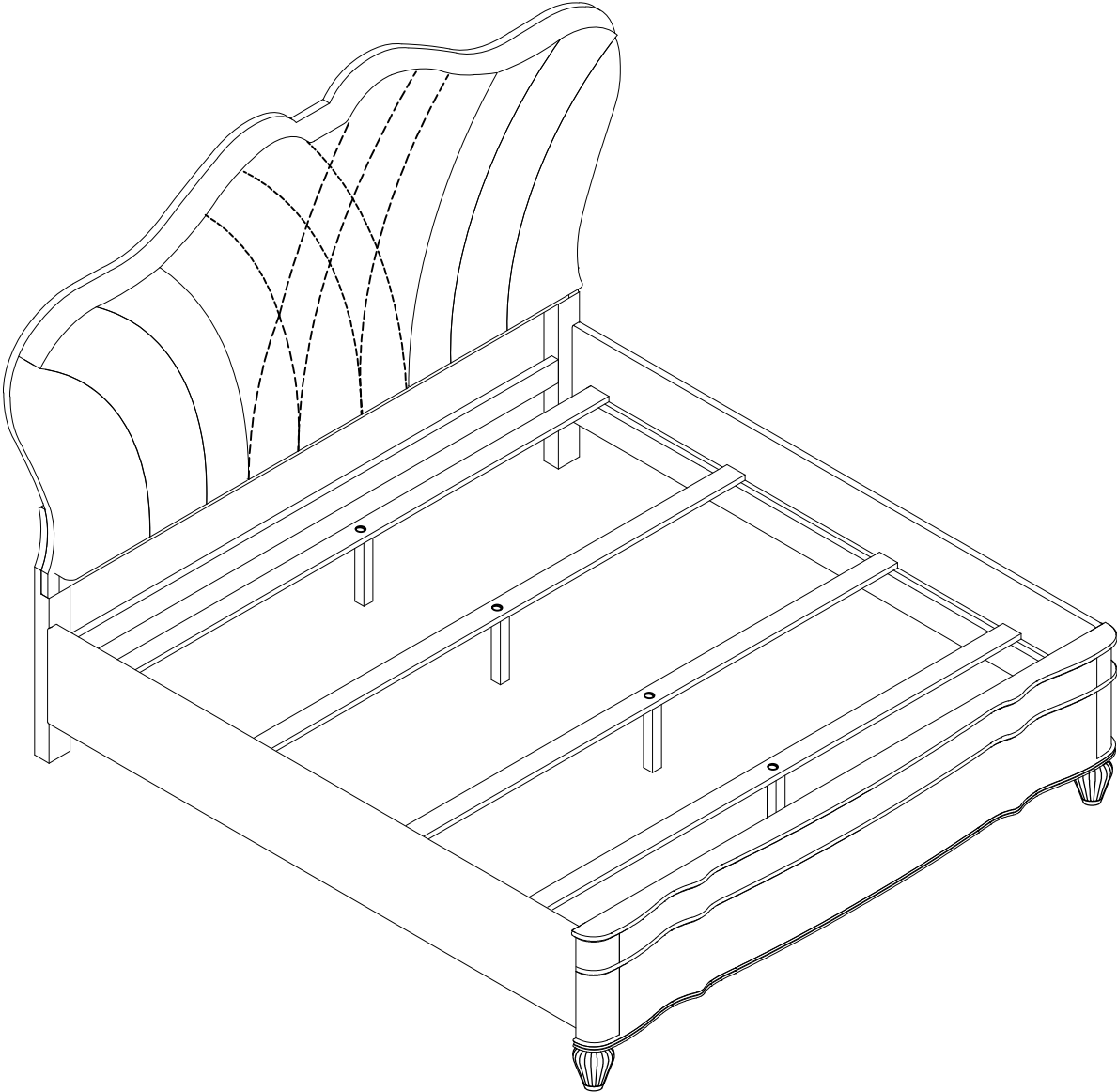


QUEEN BED



ASSEMBLY TIPS:

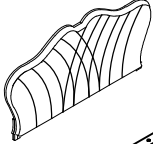
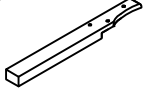



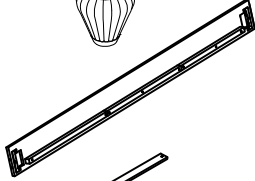
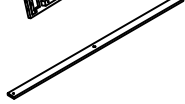

- 1.Remove hardware from box and sort by size.
- 2.Please check to see that all hardware and parts are present prior to start of assembly.
- 3.Please follow attached instructions in the same sequence as numbered to assure fast & easy assembly.

Warning!







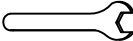
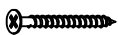


1. Don't attempt to repair or modify parts that are broken or defective. Please contact the store immediately.
2. This product is for home use only and not intended for commercial establishment.

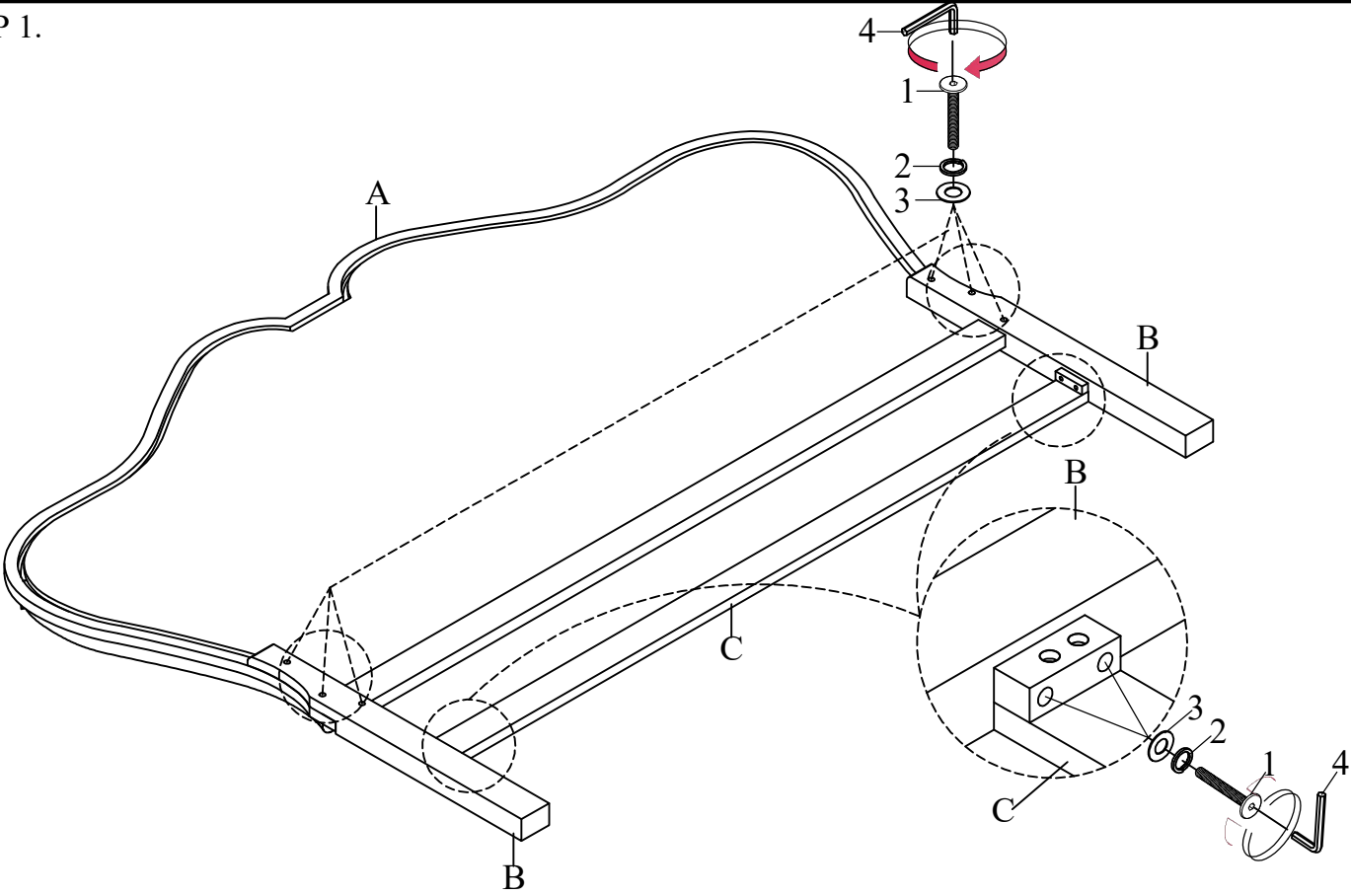
PARTS IDENTIFICATION

A		Headboard	1PC
B		H/Board leg (R/ L)	2PCS
C		Bottom Rail	1PC
D		Footboard	1PC
E		Footboard Leg	2PCS
F		Bed rail	2PCS
G		Bed slat	4PCS
H		Bed slat support with leveler	4PCS

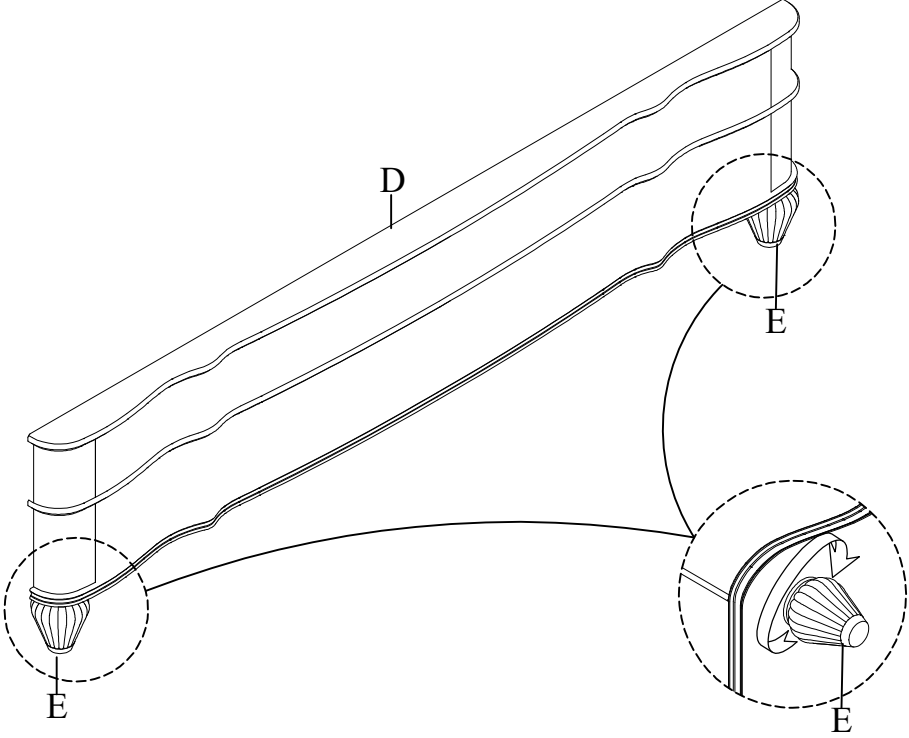
HARDWARE IDENTIFICATION

1		Bolt	Ø5/16"*50(Ø13)	10PCS
2		Lock washer	Ø5/16"*Ø12*1.5	10PCS
3		Flat washer	Ø5/16"*Ø18*1.5	10PCS
4		Allen wrench	5MM	1PC
5		Threaded Stud	Ø5/16"*90mm	8PCS
6		Hex Nut	Ø5/16"*Ø12*H8	8PCS
7		Wrench	Ø12mm	1PC
8		Screw	#4*30mm	8PCS

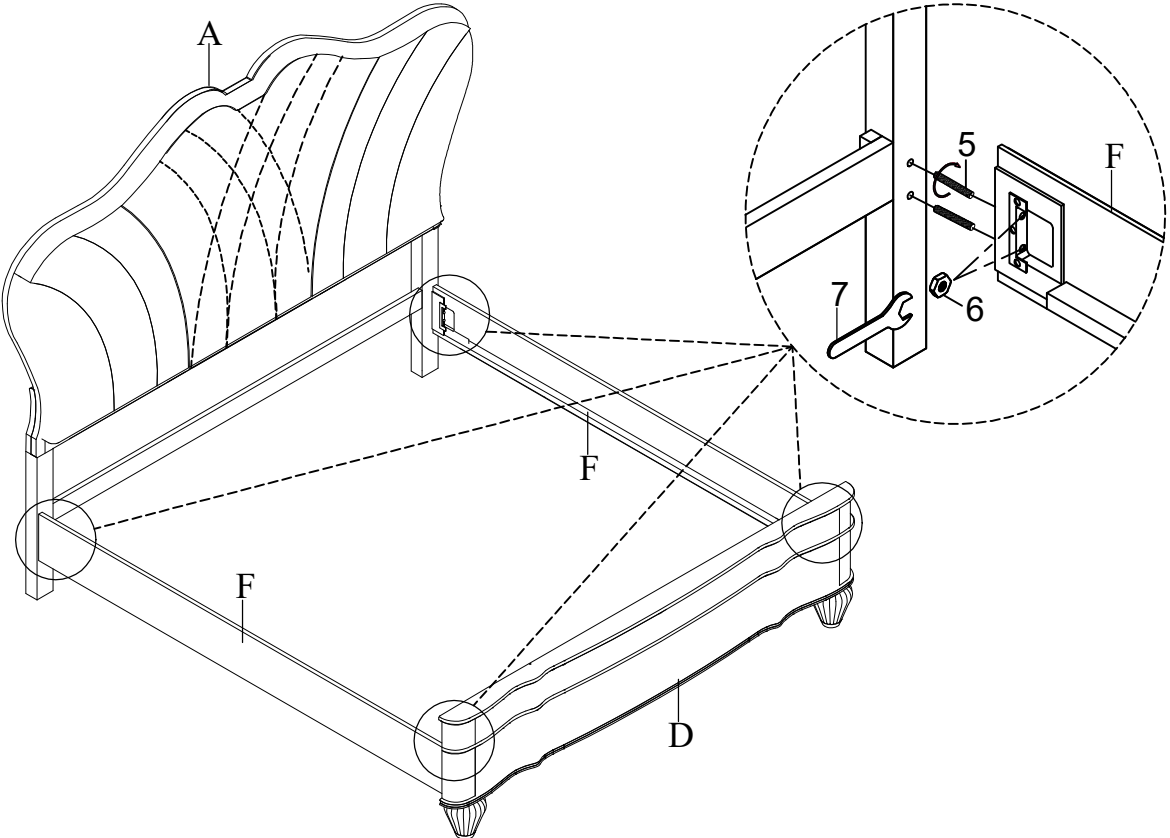
STEP 1.



STEP 2.



STEP 3.



STEP 4.

