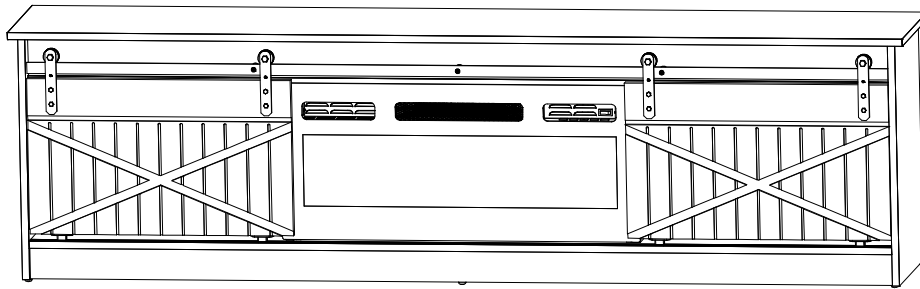
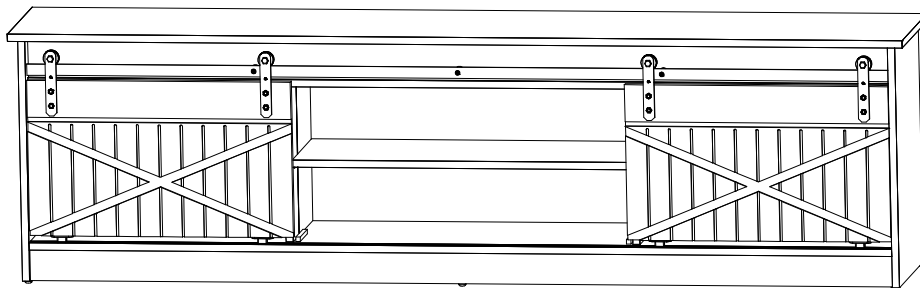


OP-138/139



VARIANT 1



VARIANT 2

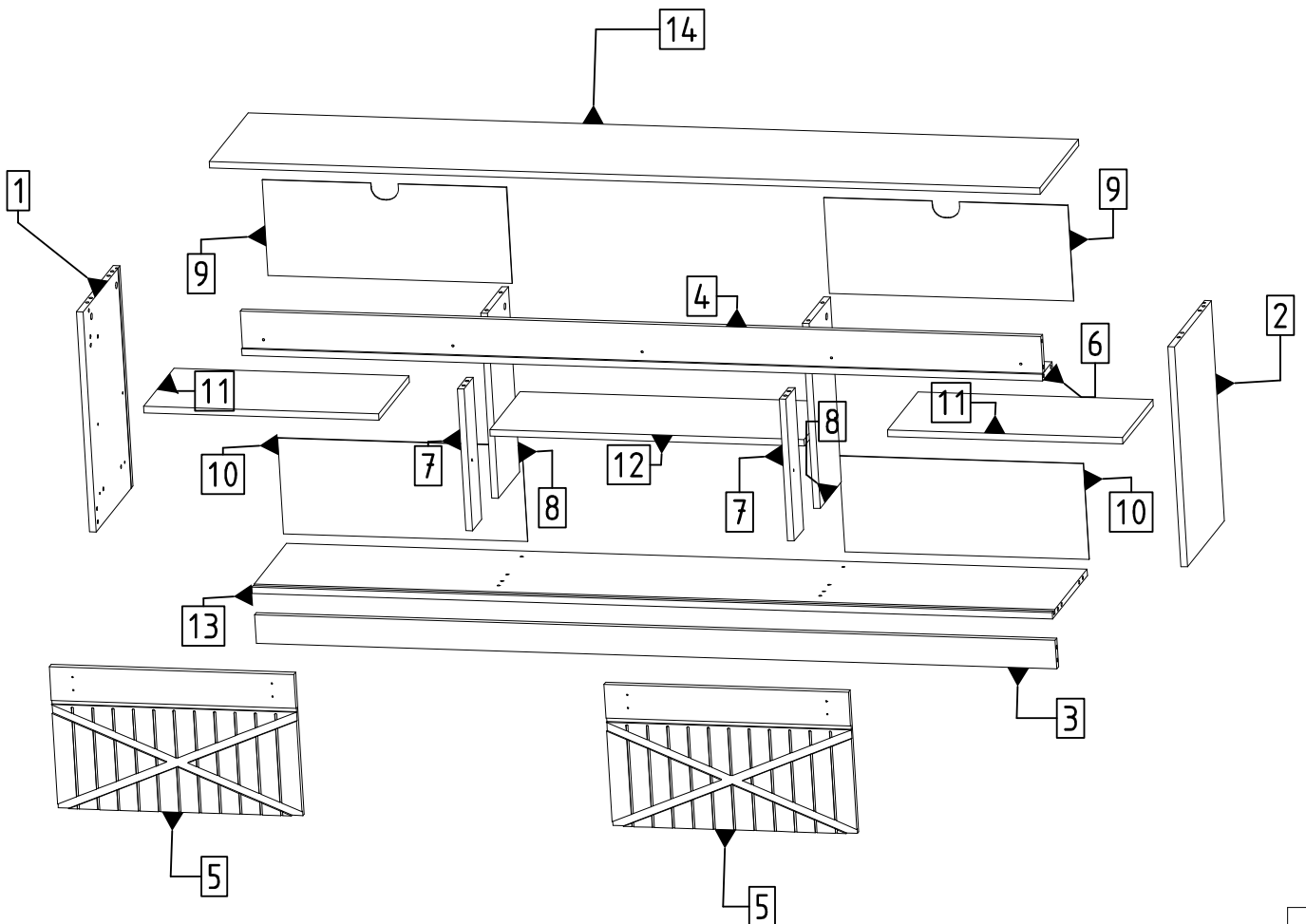
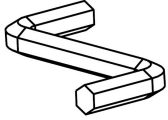
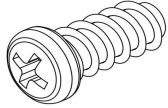

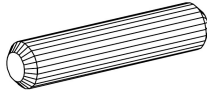
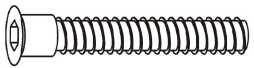
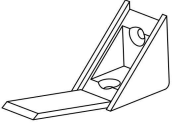


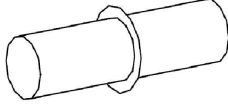
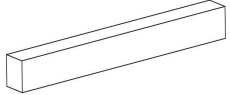
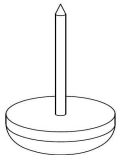
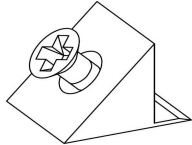
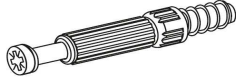
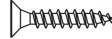
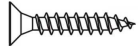
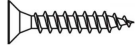
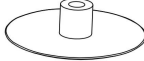
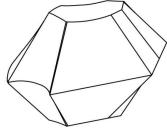
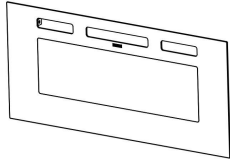
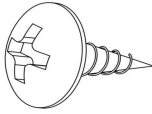
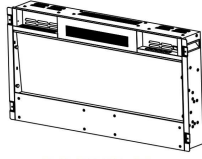

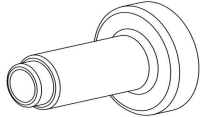

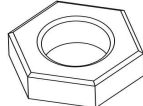

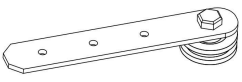


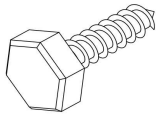
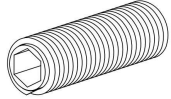
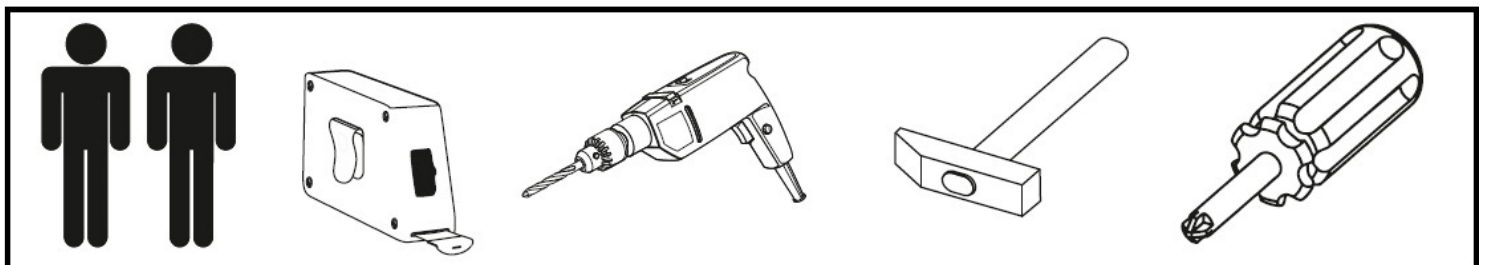
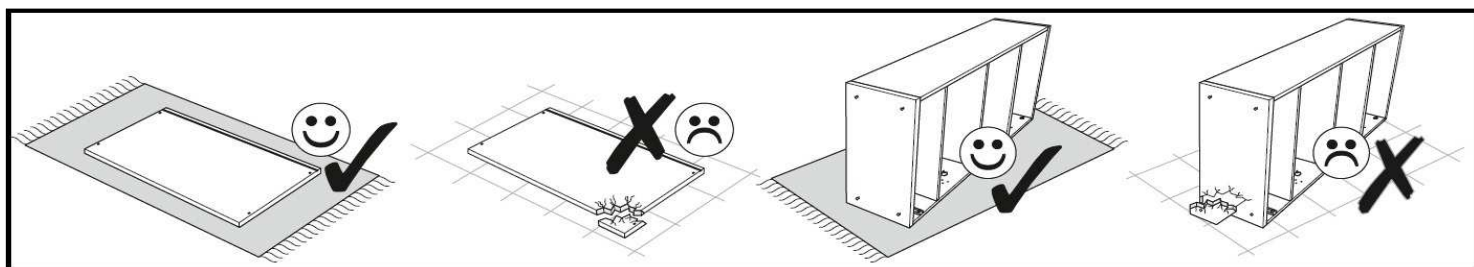


Table accessories

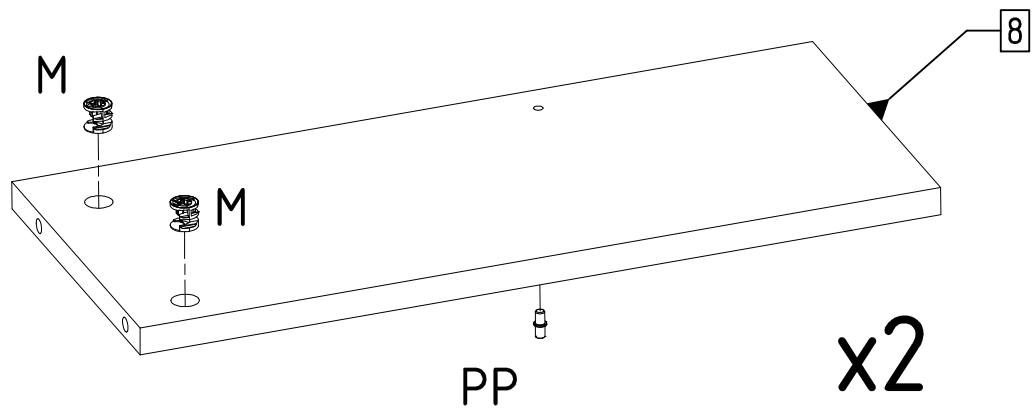
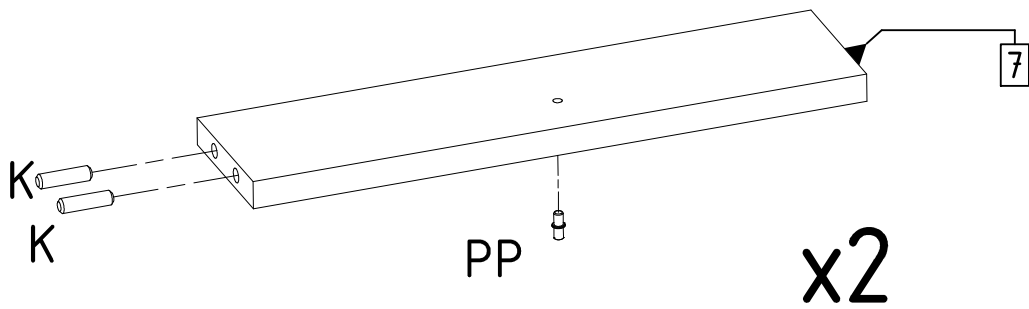
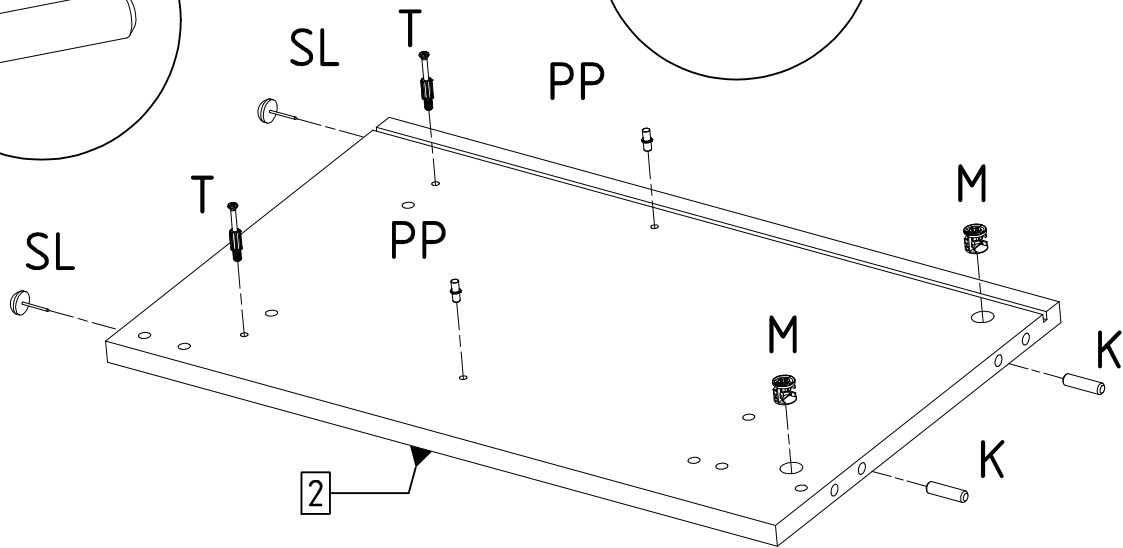
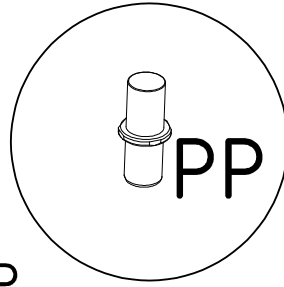
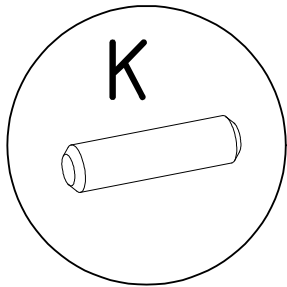
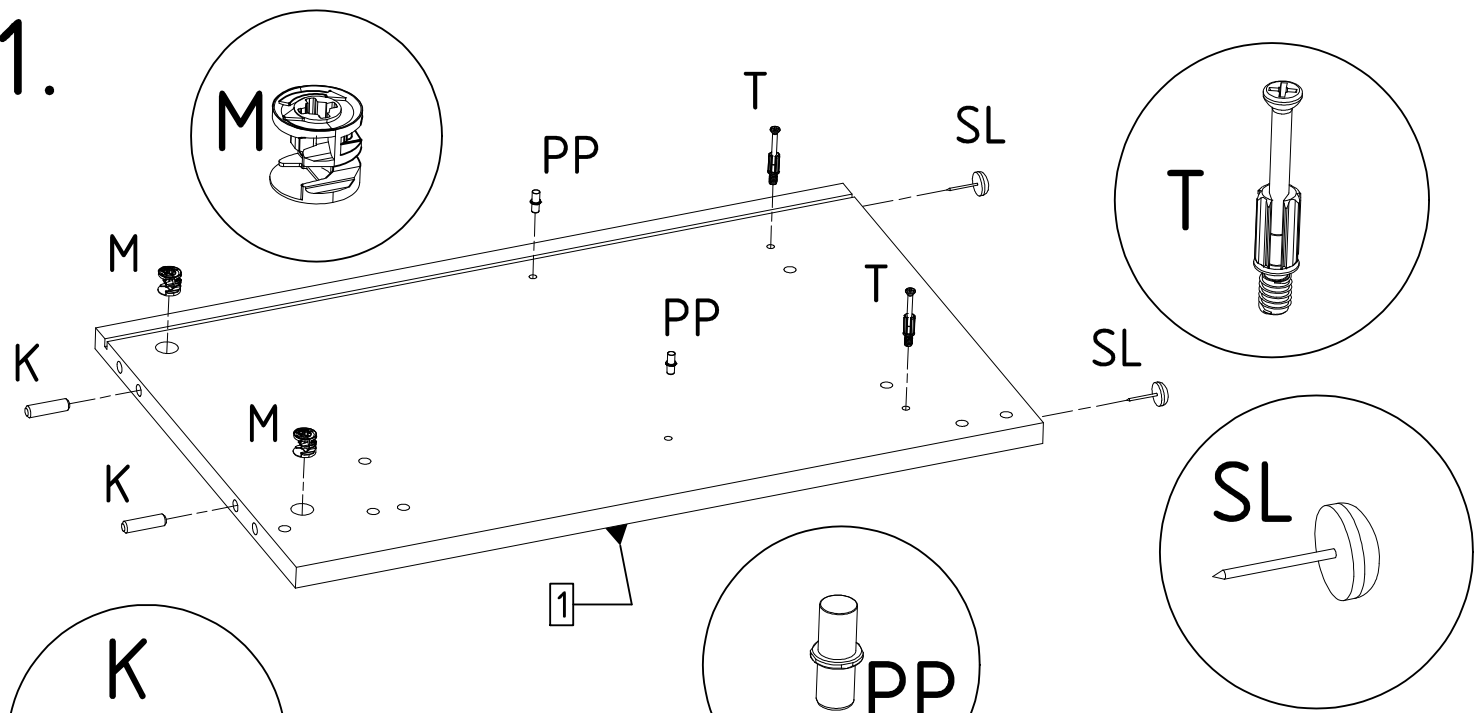
 A1	6,3 X 13  E13	 G	8 x 30  K	6,3 X 50  KN
 KP	15 x 12  M	H:76mm  N8	 PP	 PPK
 SL	 ST	6 x 34 mm  T	4 x 16  W16	3 x 16mm  W3
4 X 25mm  W4	 Z			
 KRD	 SK2	 WK	 WKL2	
L=1926mm  BZ	 DS	 E50	 NK4	 PDK
 PF	 PFD	L=1926mm  PRF	 WF16	 ZB



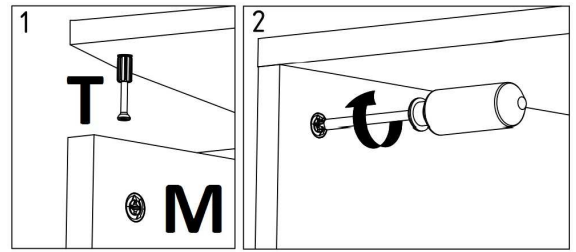
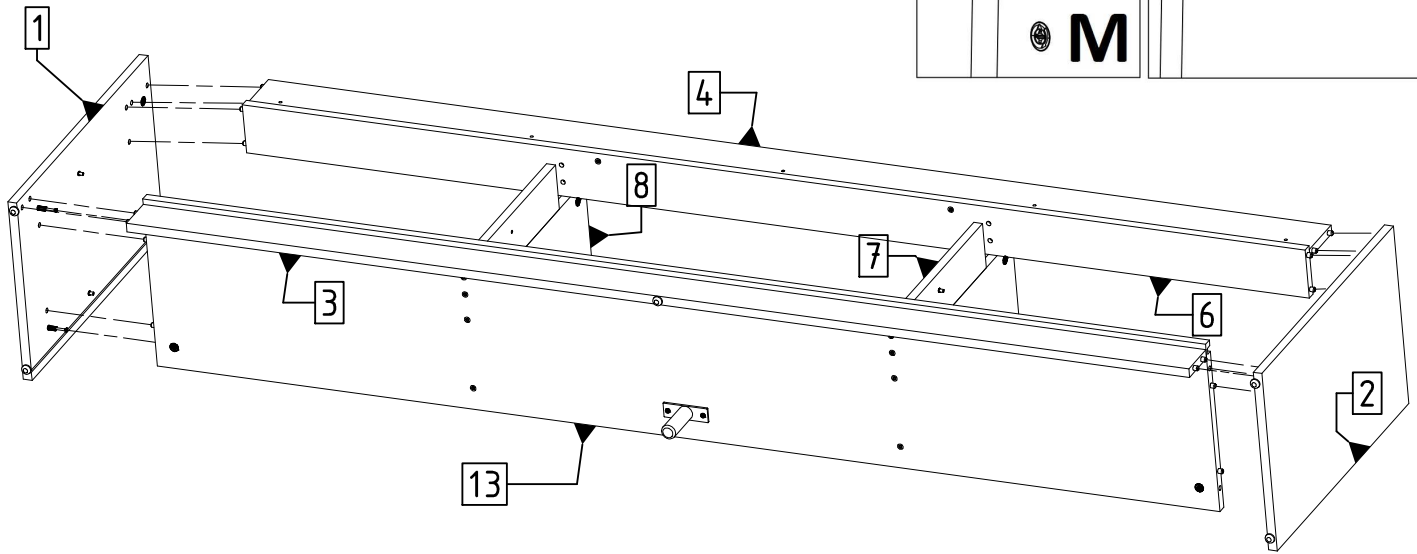
Elements				Accessories	
SYMBOL	LENGTH	WIDTH	QUANTITY	SYMBOL	QUANTITY
BL [1]	21.26	13.07	1	A1	1
BP [2]	21.26	13.07	1	BZ [L=1926mm]	1
CD [3]	75.91	2.76	1	DS	5
CG [4]	75.91	3.54	1	E13	2
FT [5]	23.19	13.7	2	E50	5
LT [6]	75.91	3.54	1	G	22
P1 [7]	13.7	3.27	2	K	24
P2 [8]	17.87	7.48	2	KN	10
PC1 [9]	23.15	9.25	2	KP	2
PC2 [10]	23.15	9.25	2	KRD (attached to the electric fireplace)	62
PK1 [11]	22.28	10.75	2	M	12
PK2 [12]	29.8	10.75	1	N8	1
WD [13]	75.91	12.32	1	NK4	5
WG [14]	78.74	13.78	1	PDK	10
				PF	4
				PFD	4
				PP	12
				PPK	2
				PRF [L=1926mm]	1
				SK2 (attached to the electric fireplace)	1
				SL	5
				ST	12
				T	12
				W16	4
				W3	8
				W4	4
				WF16	8
				WK (attached to the electric fireplace)	6
				WKL2 (attached to the electric fireplace)	1
				Z	12
				ZB	4



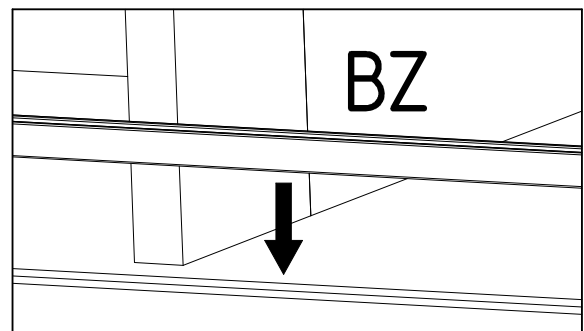
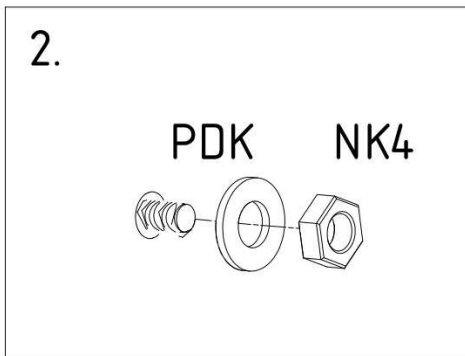
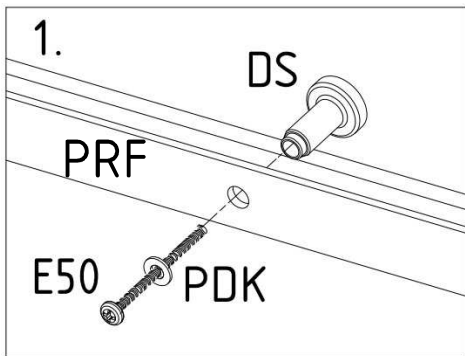
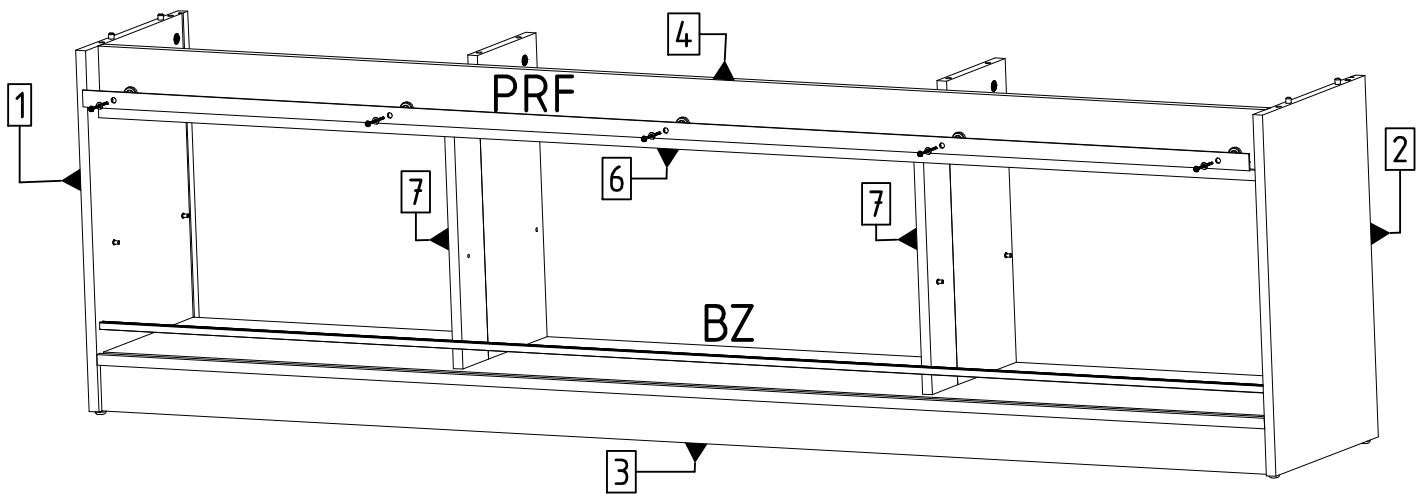
1.

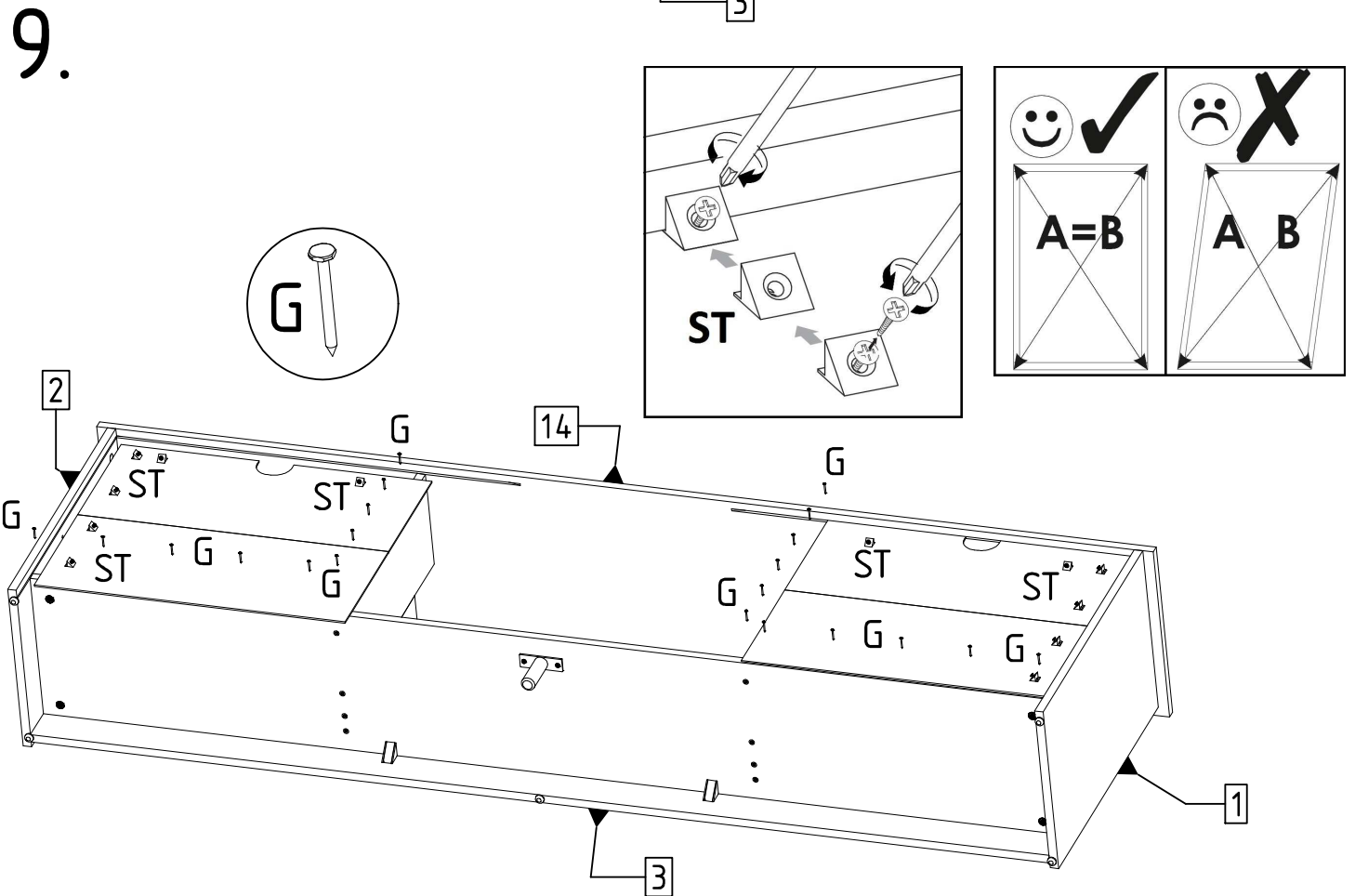
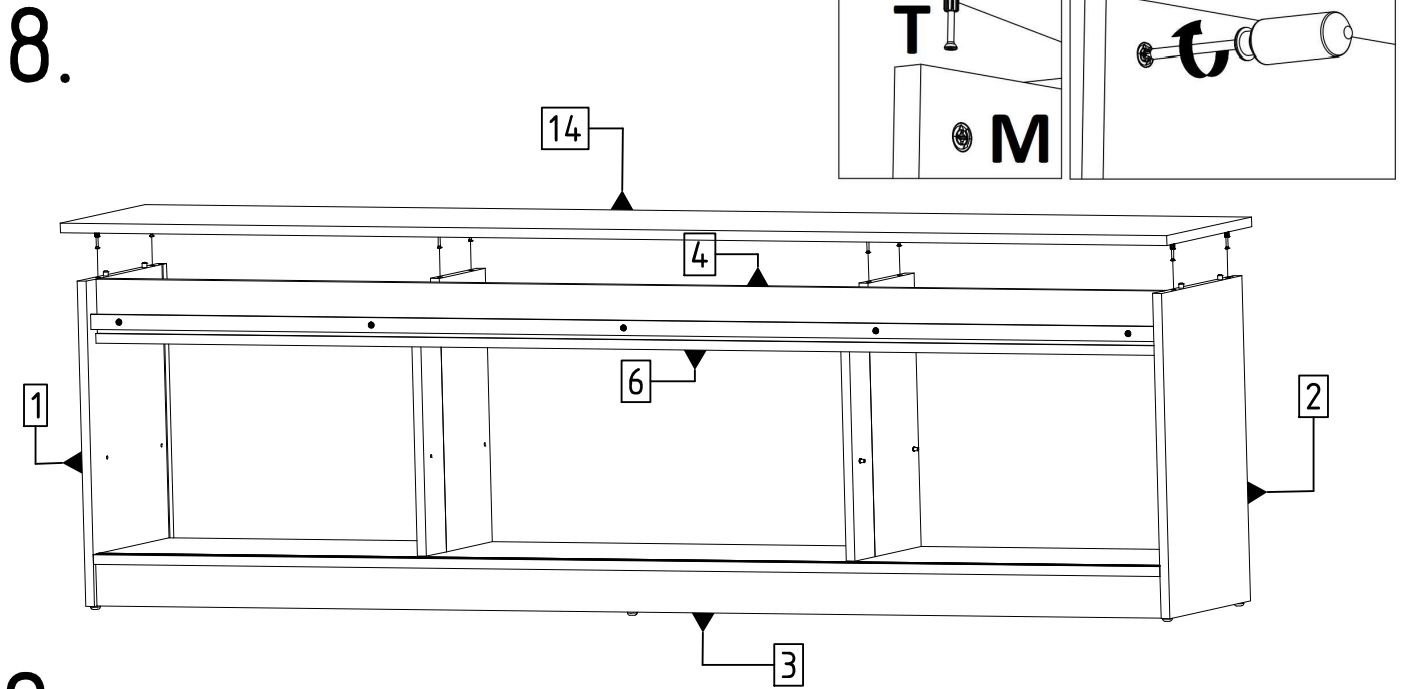
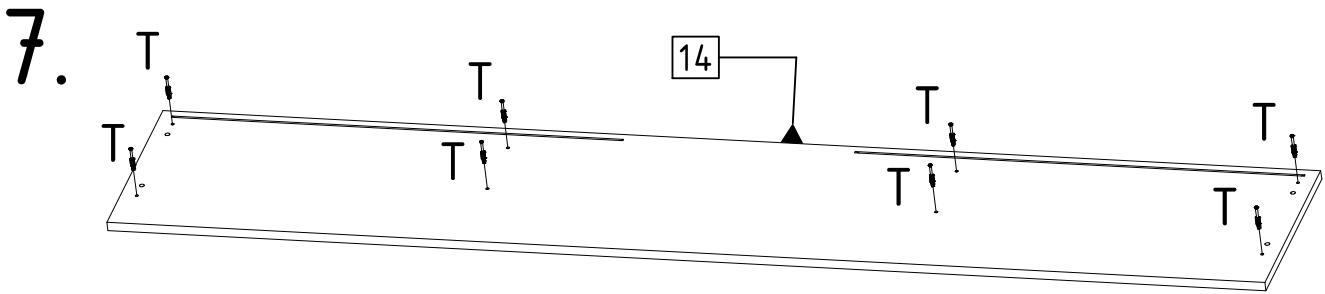


5.

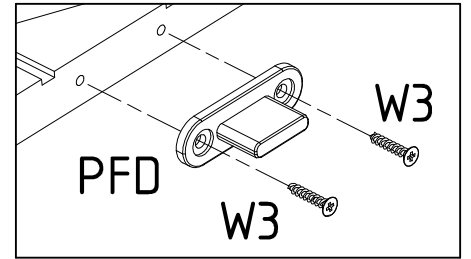
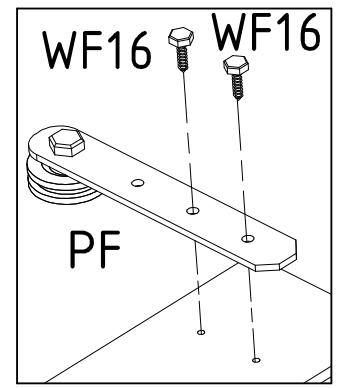
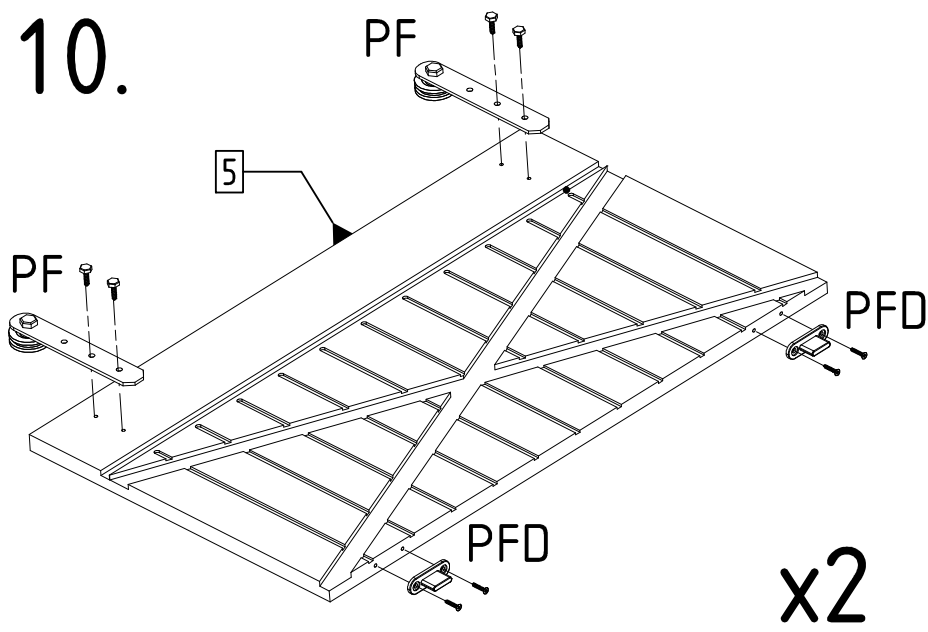


6.



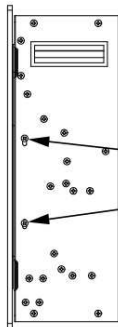
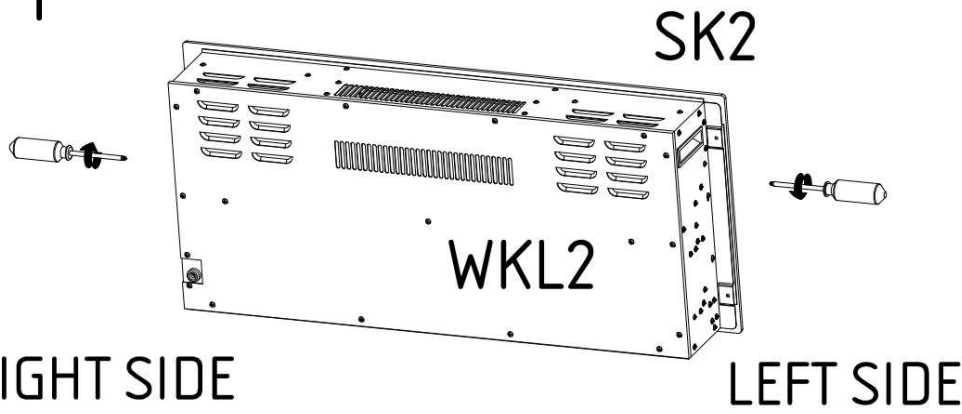


10.

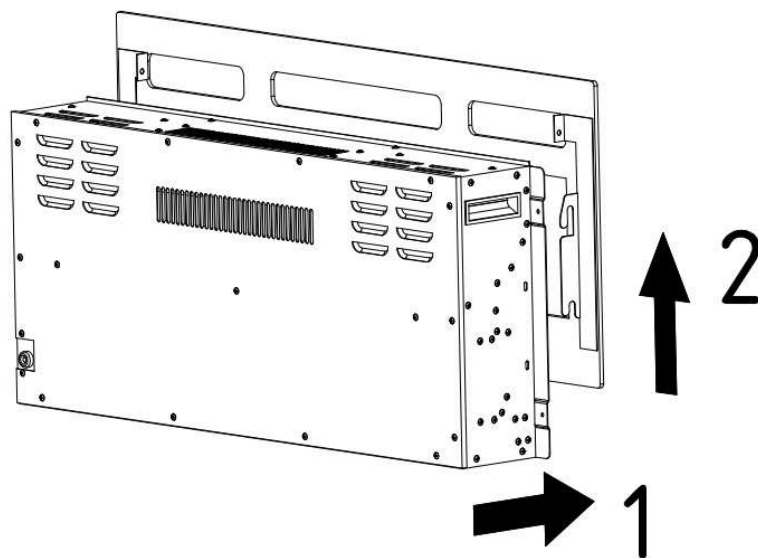
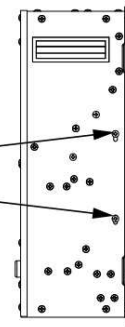


VARIANT 1

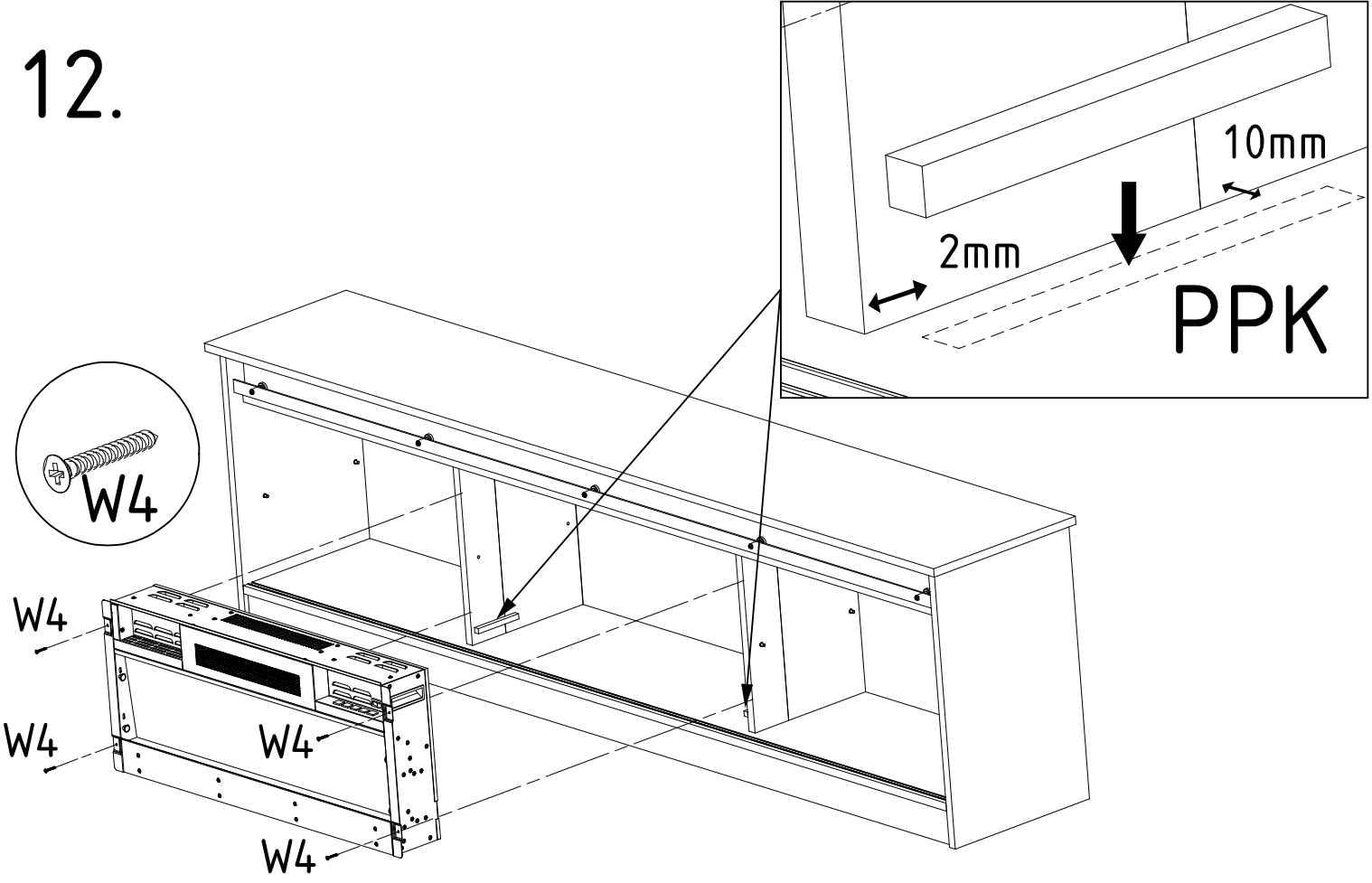
11.



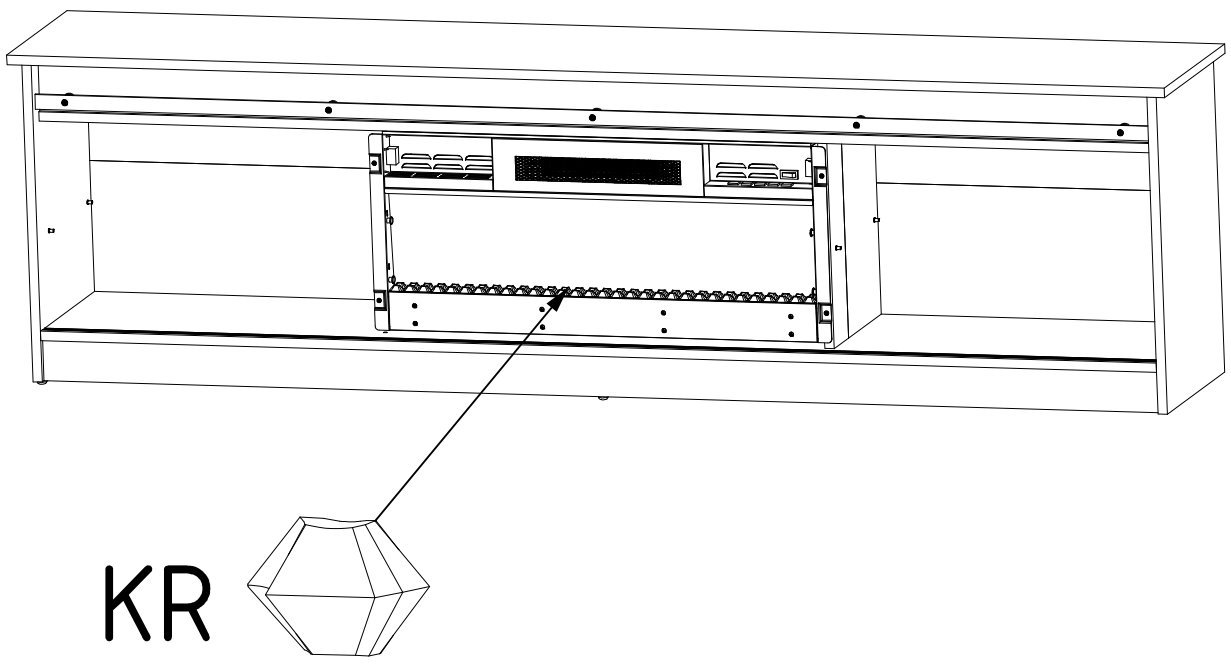
WK



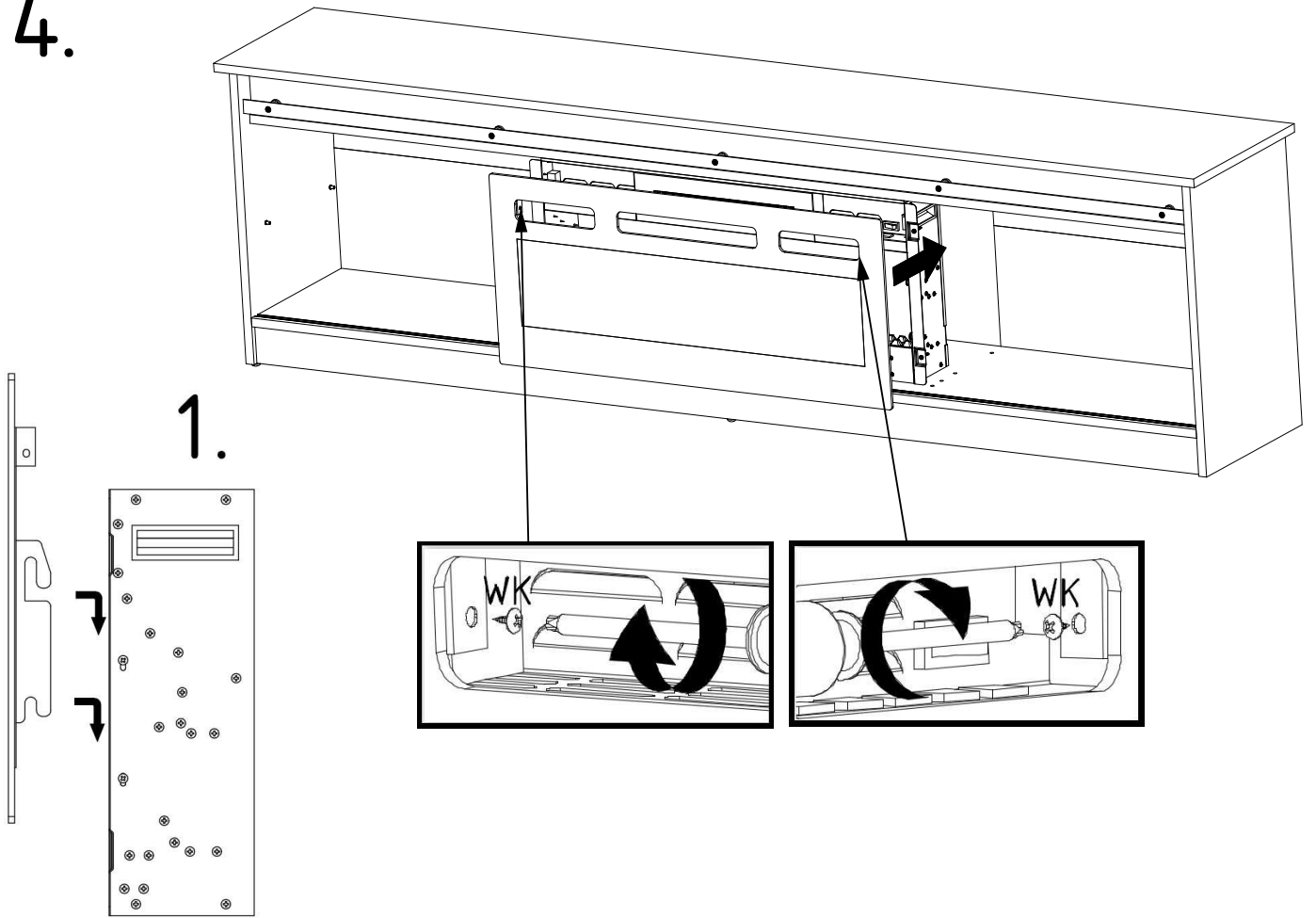
12.



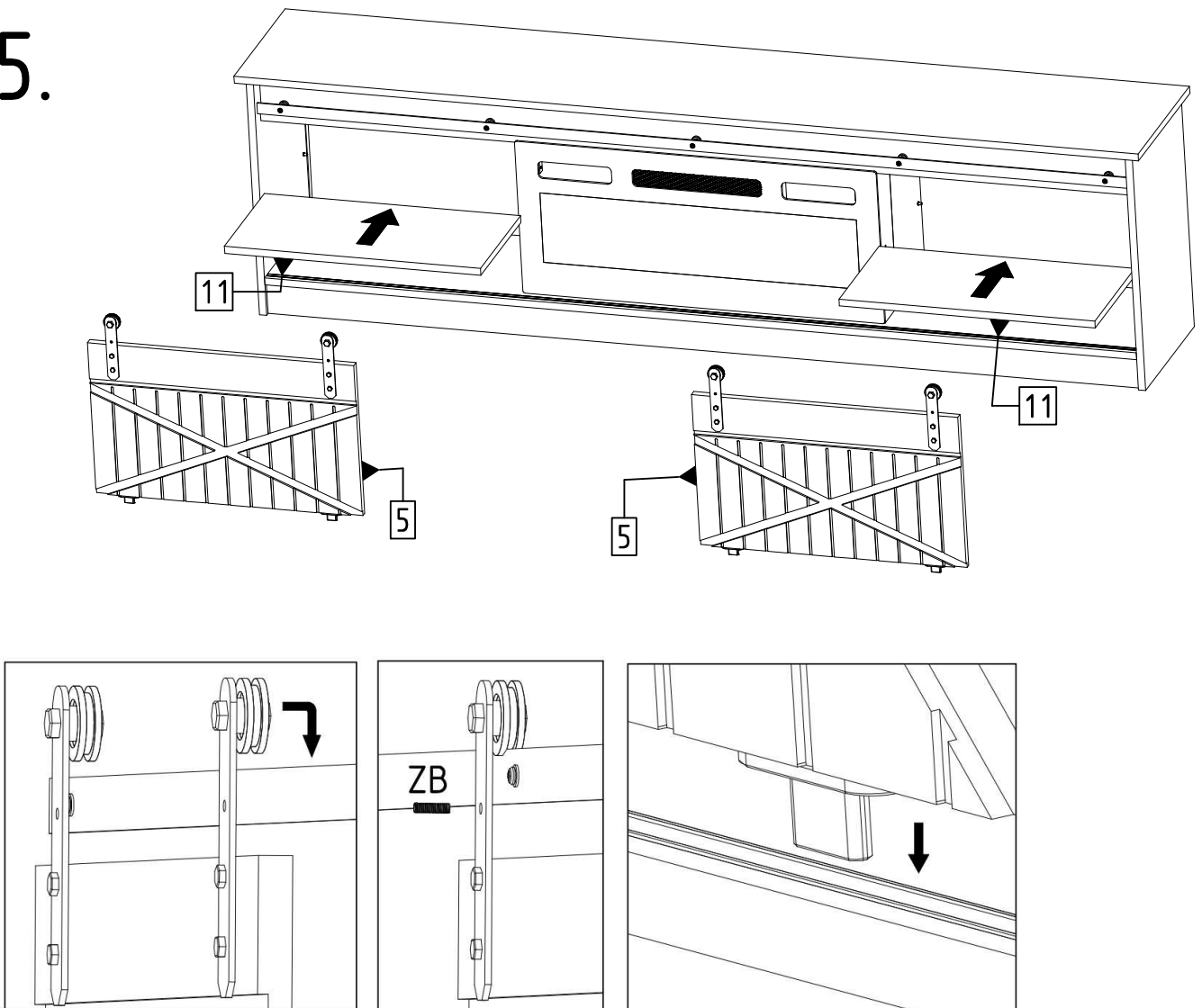
13.

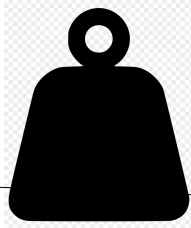


14.

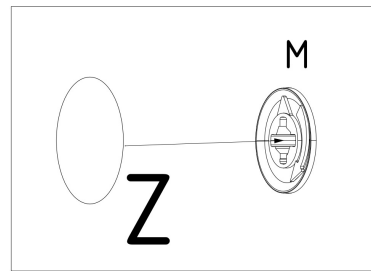
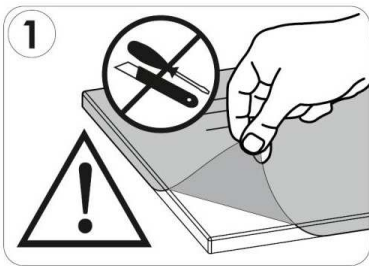
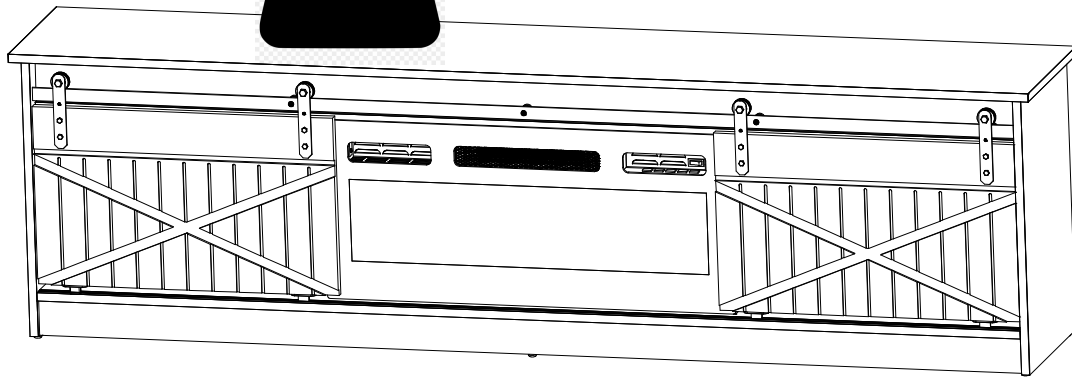


15.



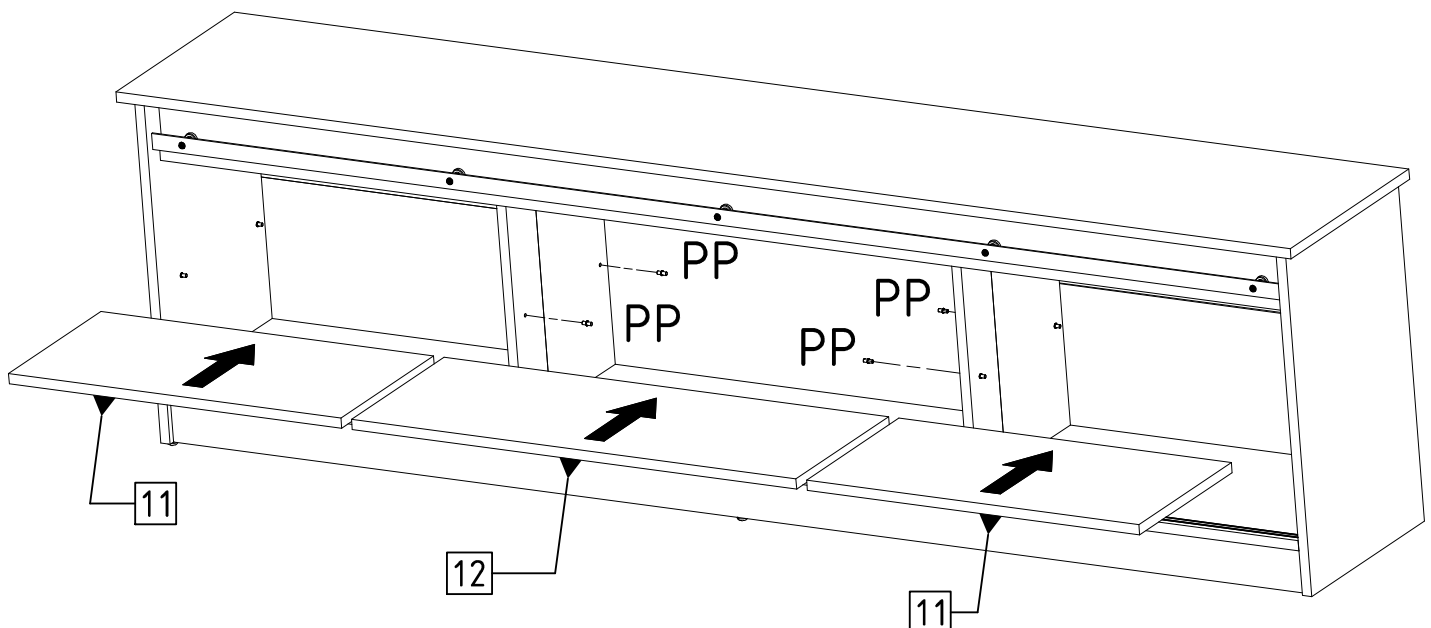
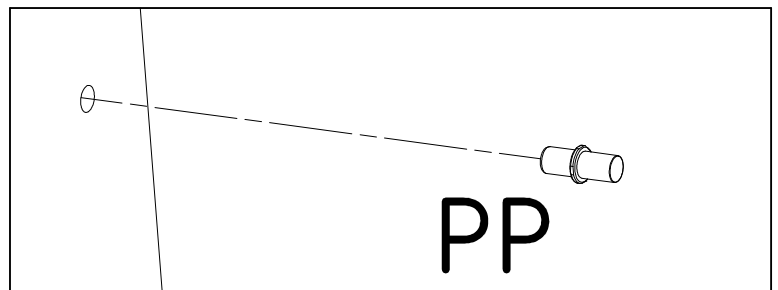


max.
15 kg

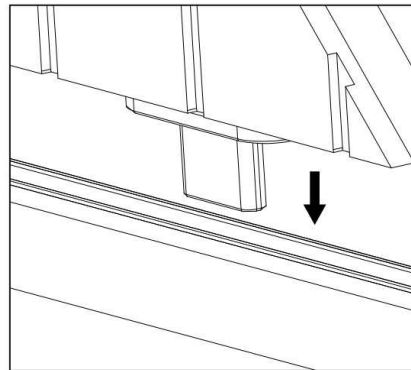
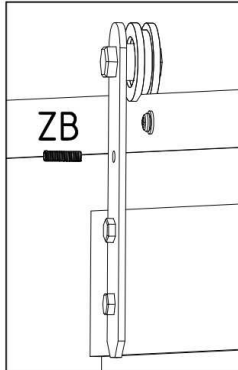
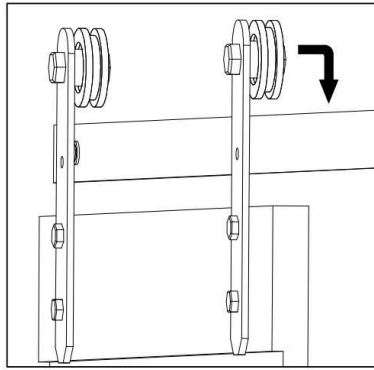
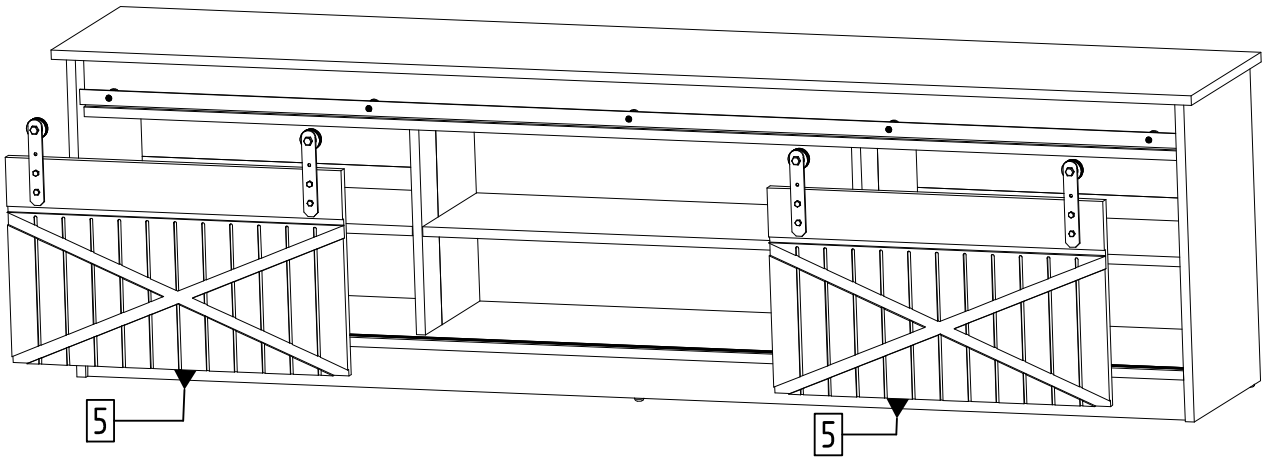


VARIANT 2

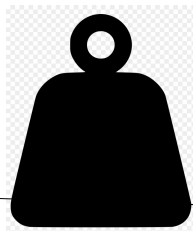
16.



17.



18.



max.
15 kg

