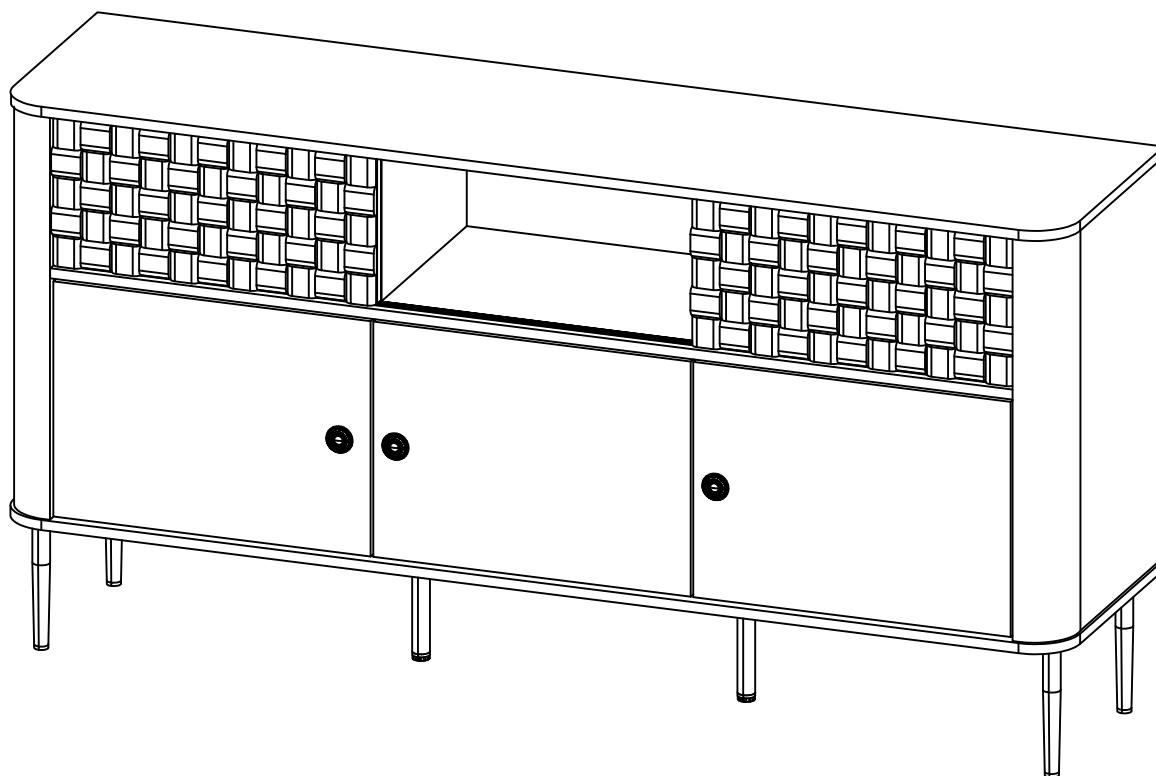


SIDEBOARD CABINET



ASSEMBLY INSTRUCTIONS



90 min. assembly
2 person

*The estimated assembly time may vary depending on the individual.

Hey, there

Now is assembly time!

Deeeeeeep breathe.... and again....
Tools ready,
Easy peasy!

Estimated



90 min. assembly
2 person

Tools Required

- Allen Key (included)
- Screw Driver (not included)
- Hammer (not included)
- Drill (not included)

important: Cautious when you use power tools

Thank you for purchasing this product. This product has been manufactured with the highest standards of safety and quality.

PLEASE READ ALL INSTRUCTIONS CAREFULLY BEFORE ASSEMBLY.

Unpack all parts from the packaging inside the carton to ensure there are no missing or damaged parts. Lay out all the product parts on a clean, flat, and soft surface to prevent scratches. Refer to the steps provided as assembling guide.

Do not attempt to assemble or use the product if any parts are missing or damaged.

REMINDERS

SAFE USAGE IS KEY

Your self-being is our top priority when you use our product. Please prioritize your safety by diligently following the assembly guidelines and inspecting the product carefully both when it arrives and before each use.

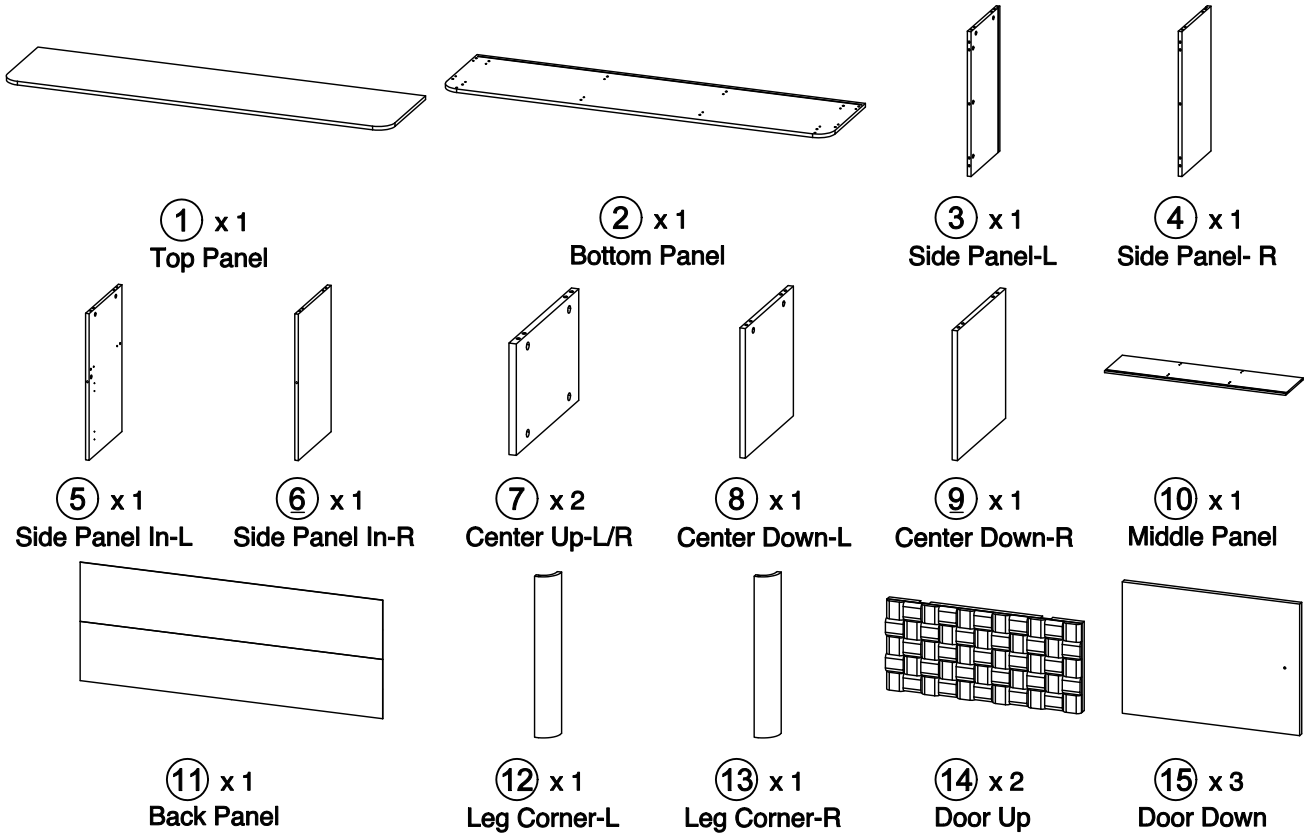
Please be aware that we cannot be held liable for any injuries or fatalities that occur due to not adhering to the provided instruction or misuse of the product.

DO NOT MODIFY

Our products undergo rigorous testing to ensure they meet established safety standards before being released for sale. Altering the product in any way can lead to serious safety concerns, for which we cannot assume responsibility.

What's in the box

Parts

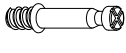


What's in the box

Hardware & accessory



(A1)

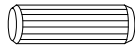


(A2)



(A3)

(A) x 28 SETS + 2



(B) x 44 + 2
M8 x 30mm



(C) x 12 + 2
M6 x 50MM



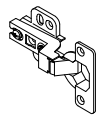
(D) x 1



(E) x 16 + 2
M3 x 12mm



(F) x 66 + 2
M3.5 x 16mm



(G) x 6

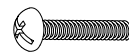


(H1)



(H2)

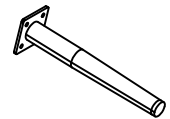
(H) x 4 SETS



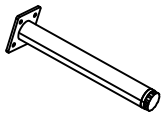
(I1) x 3
M4 x 25mm



(I2) x 3



(J) x 4



(K) x 2



(L1)



(L2)

(L) x 6 SETS



(M1)



(M2)



(M3)

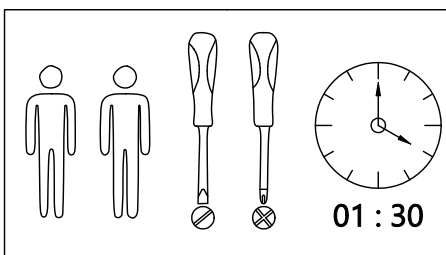


(M4)

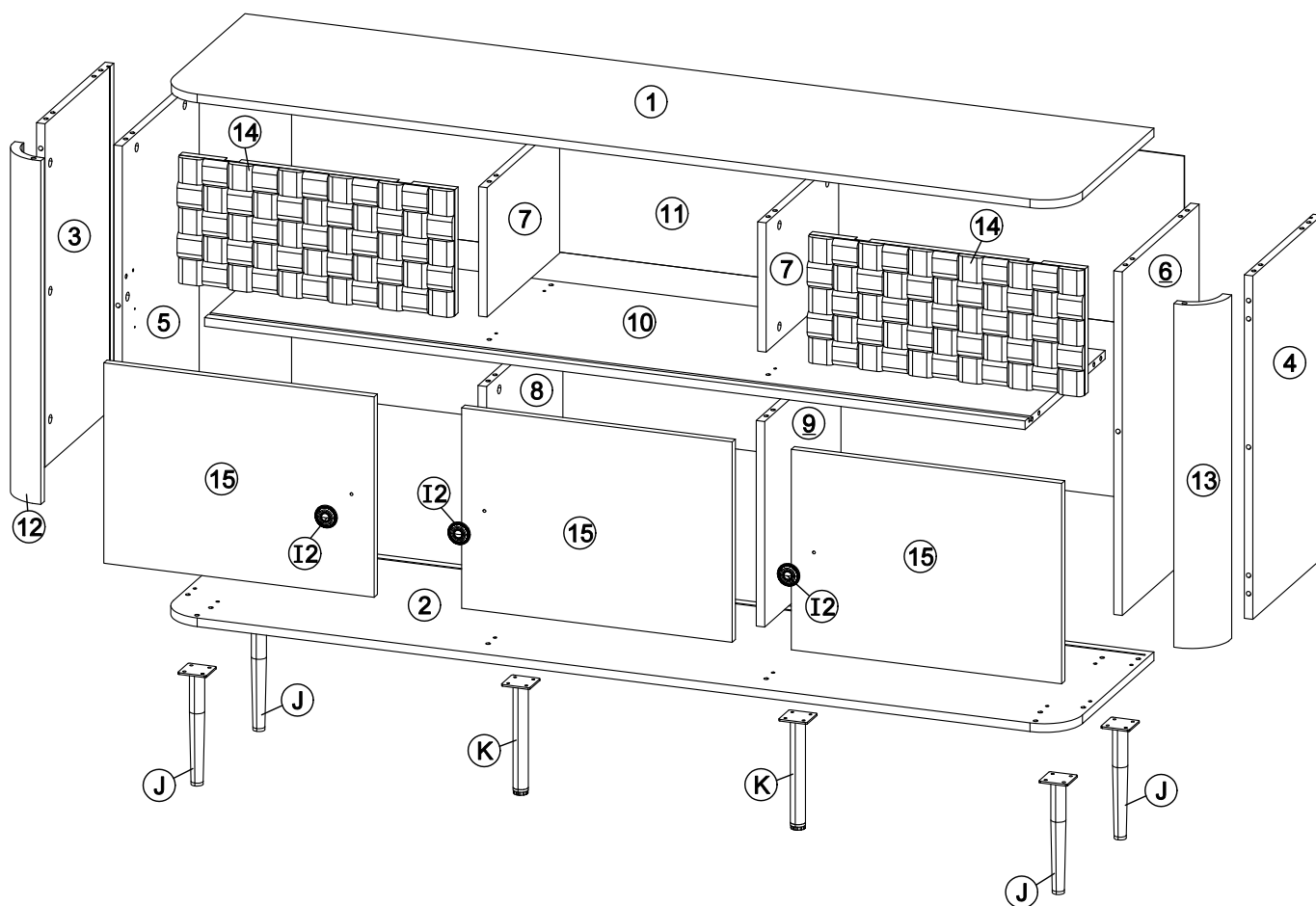


(M5)

(M) x 2 Sets

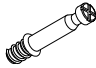
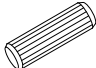


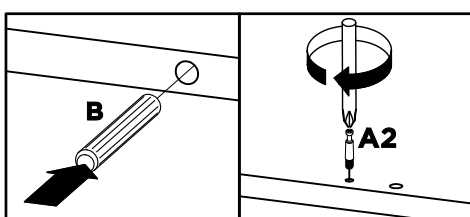
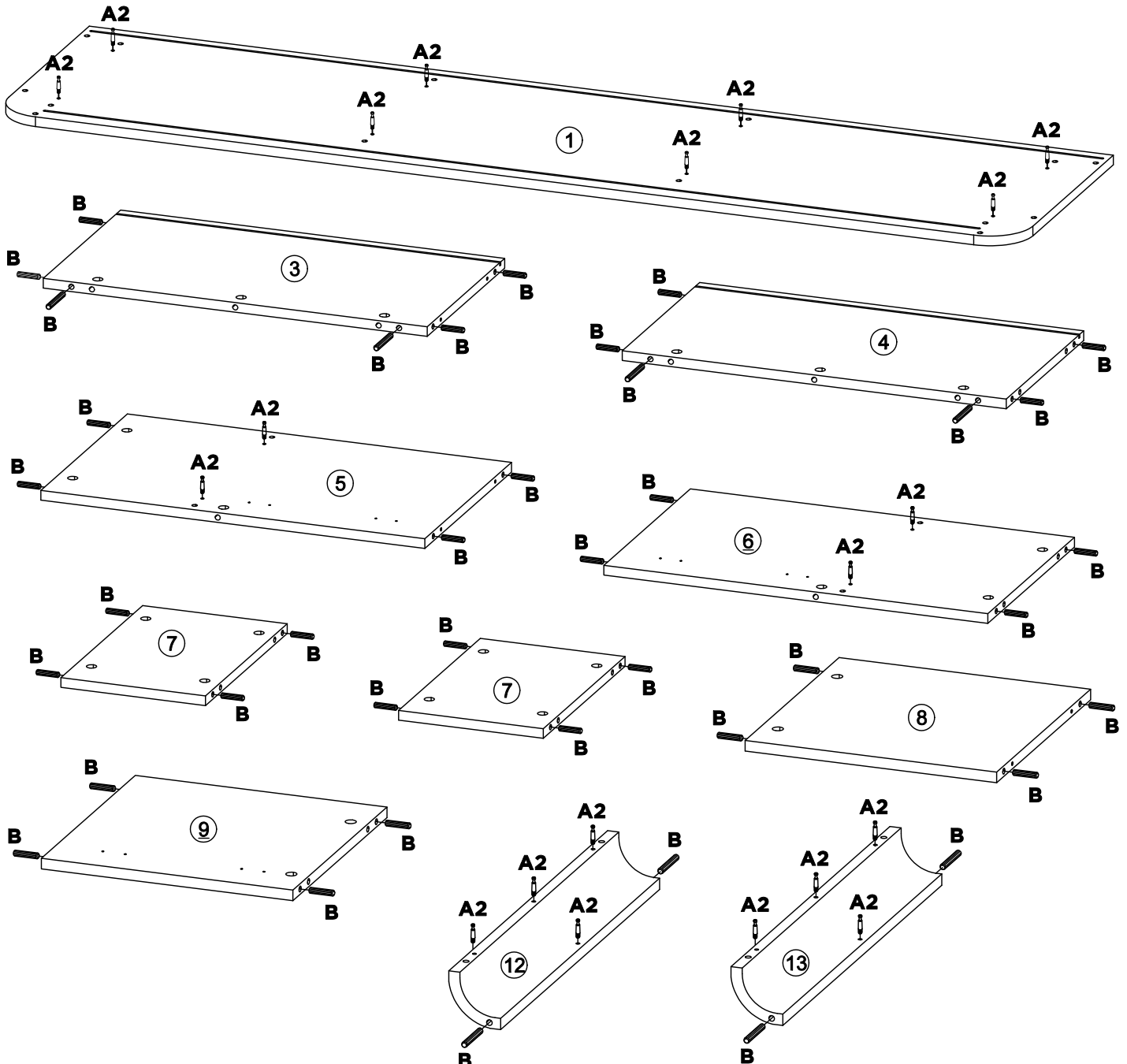
Assembly



Step 1

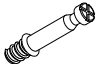
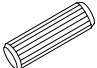
- Install and tighten hardware A2 until the shoulder is flush with panel 1, 5, 6, 12 and 13.
(Repeat 28 times.)
- Insert hardware B to panels 3, 4, 5, 6, 7, 8, 9, 12 and 13.
(Repeat 24 times.)

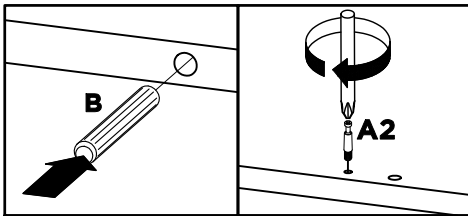
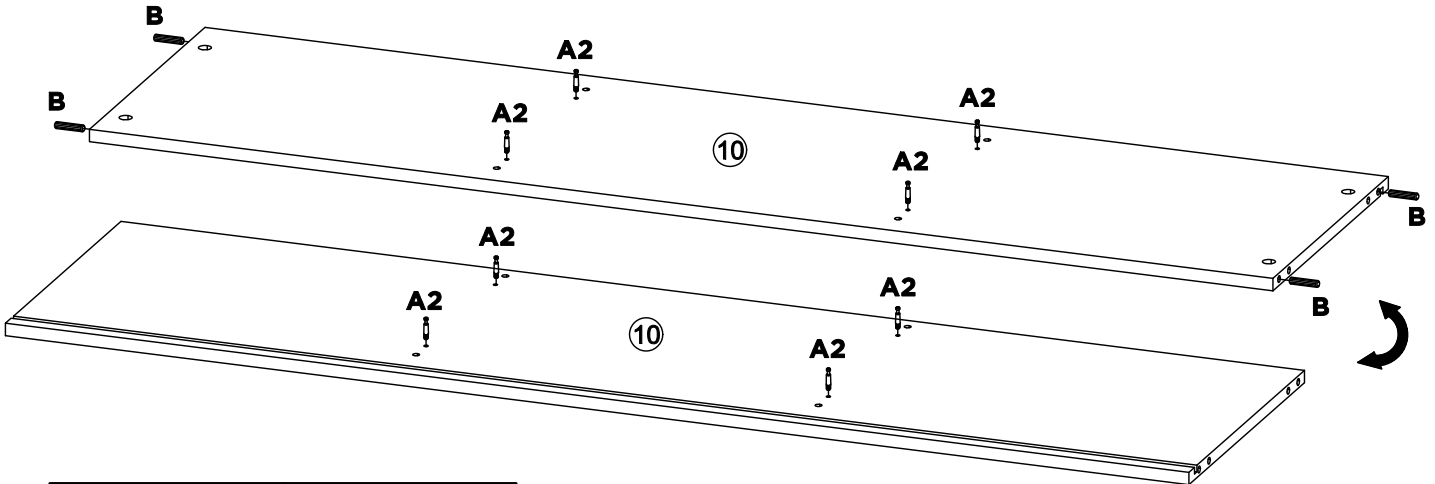
A2 x 20	B x 40
	
	M8 x 30mm



Step 2



- Insert hardware A2 onto panel 10.
(Repeat 8 times.)
- Insert hardware B to panels (10).
(Repeat 4 times.)

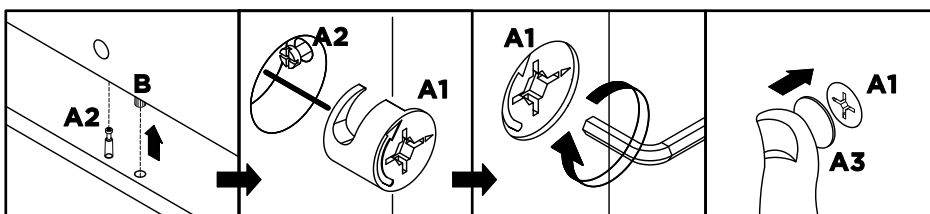
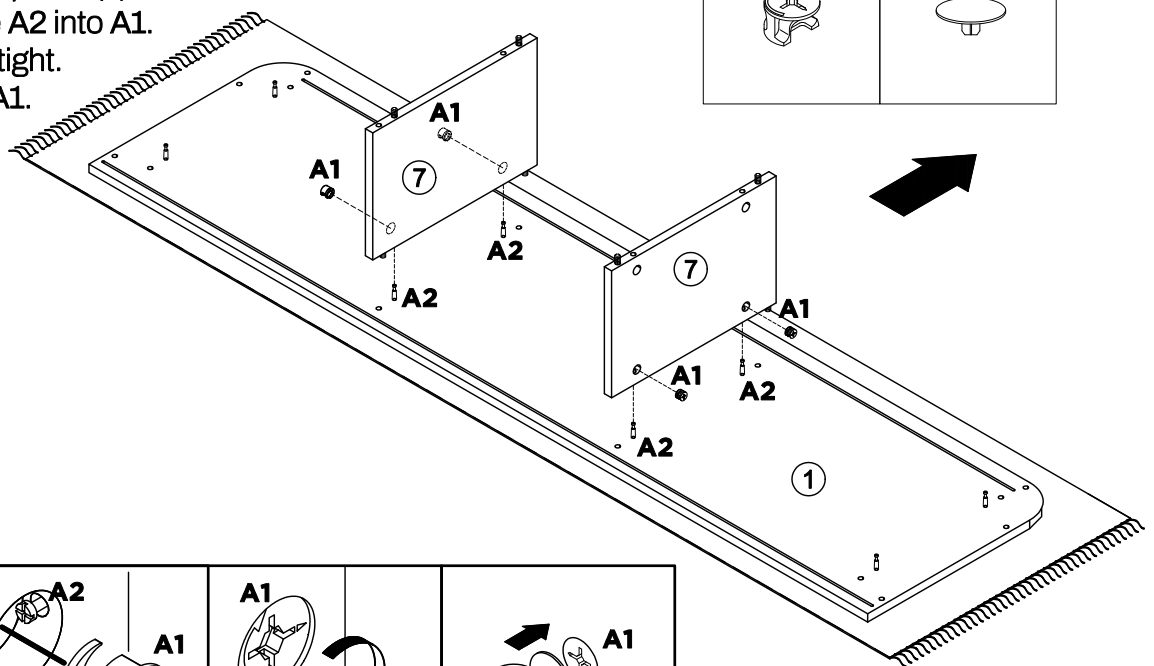
A2 x 8	B x 4
	
	M8 x 30mm



Step 3

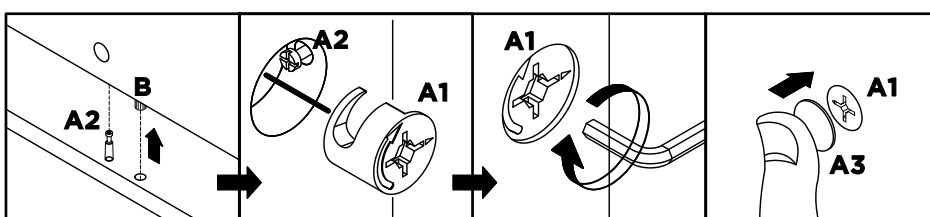
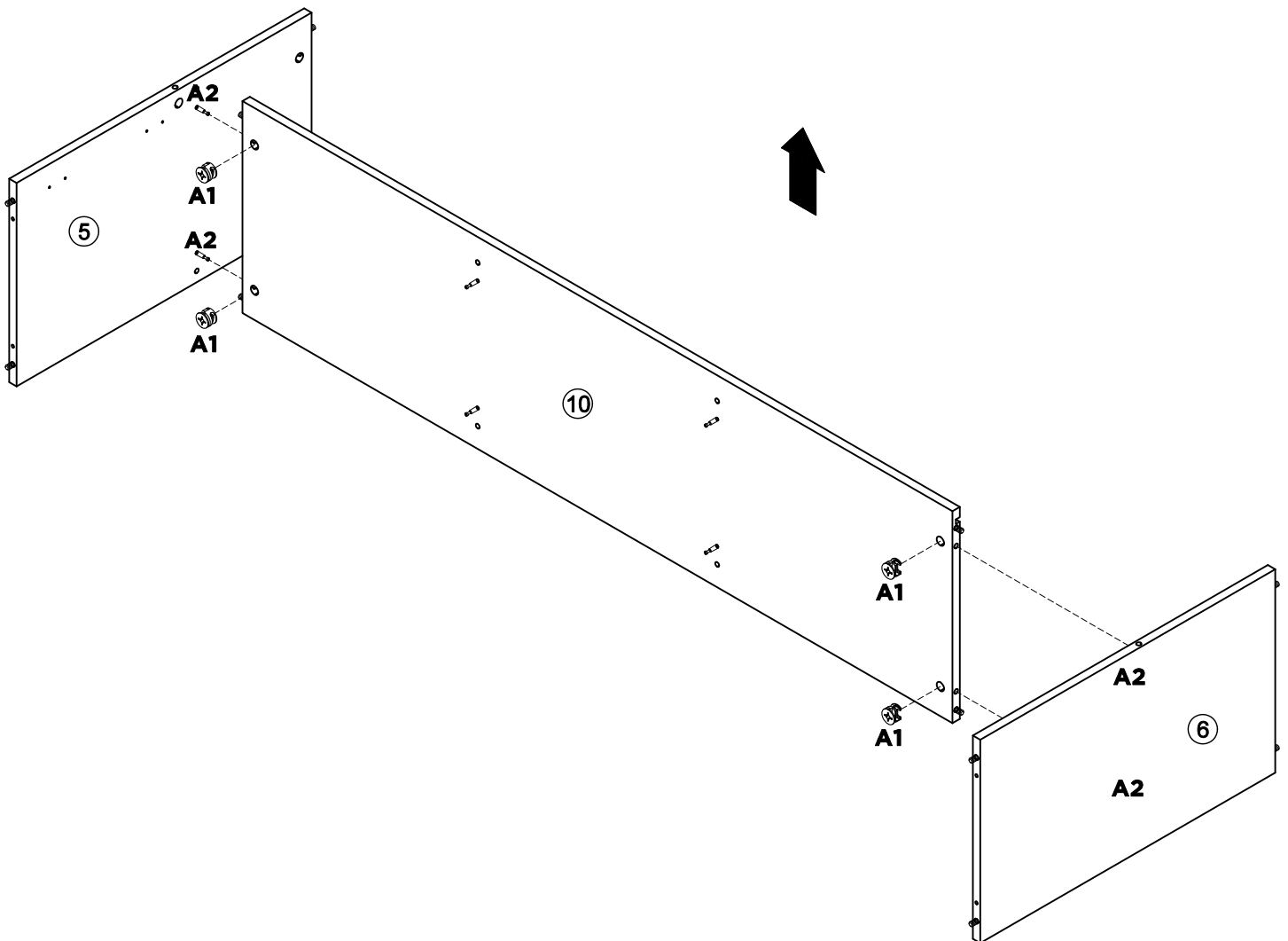
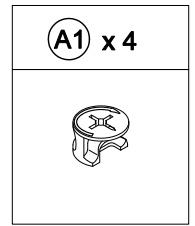
- Attach panel (7) to panel (1).
- Insert all hardware A2 into A1.
- Rotate all A1 until tight.
- Apply A3 onto all A1.
(Repeat 4 times.)

A1 x 4	A3 x 4
	



Step 4

- Attach panel (5) and (6) to panel (10).
- Insert all hardware A2 into A1.
- Rotate all A1 until tight.
- Apply A3 onto all A1.
- (Repeat 4 times.)

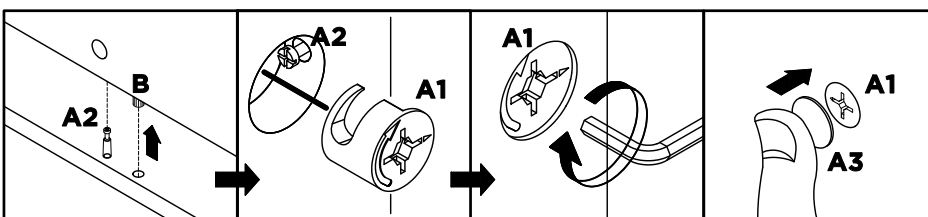
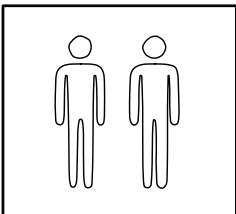
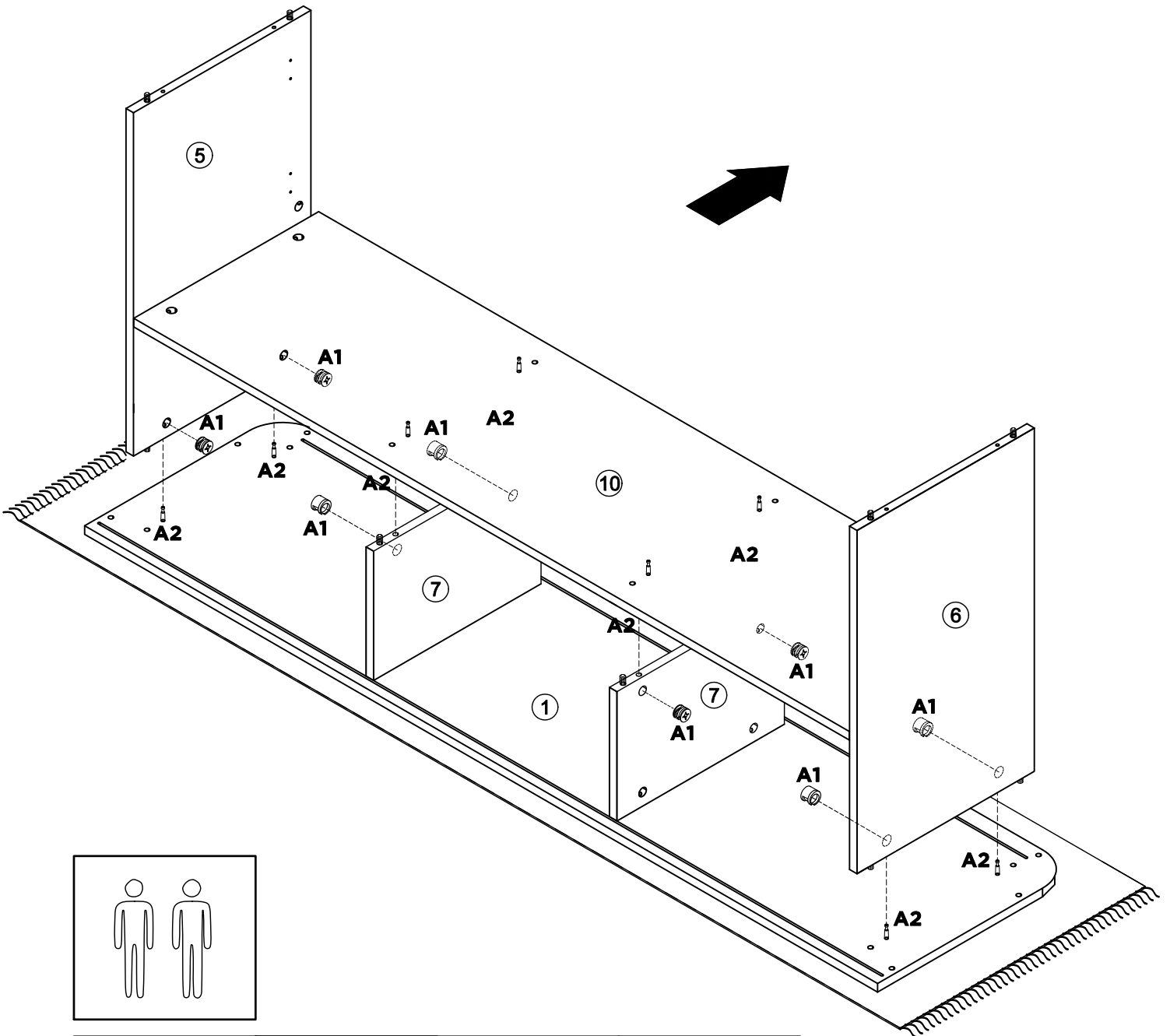


Step 5

A1 x 8



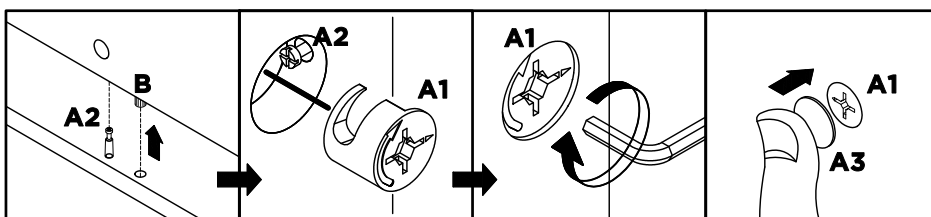
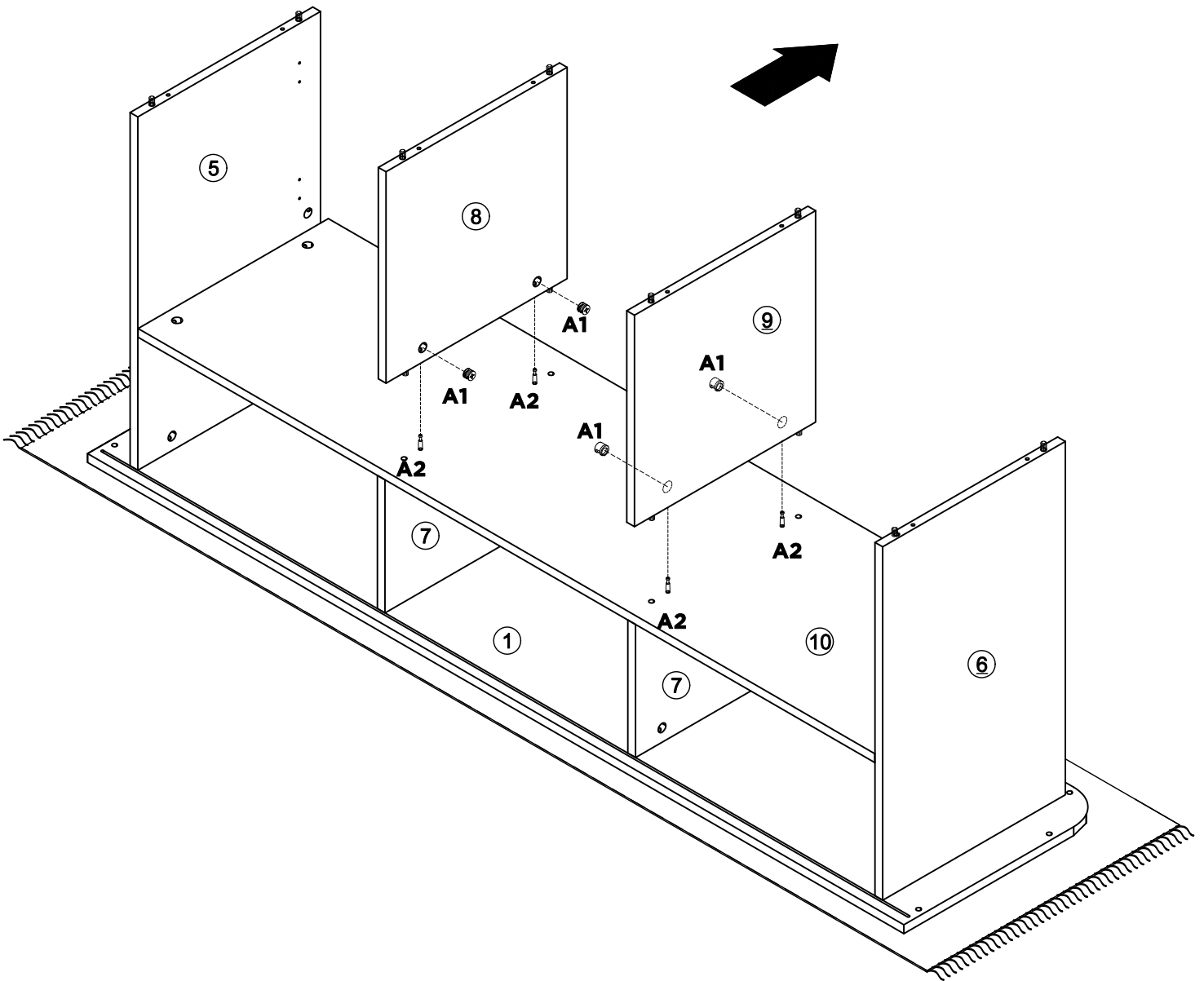
- Attach panel (5) and (6) to panel (1).
- Attach panel (10) to panel (7).
- Insert all hardware A2 into A1.
- Rotate all A1 until tight.
- Apply A3 onto all A1.
- (Repeat 8 times.)



Step 6



- Attach panel (8) and (9) to panel (10).
- Insert all hardware A2 into A1.
- Rotate all A1 until tight.
- Apply A3 onto all A1.
- (Repeat 4 times.)

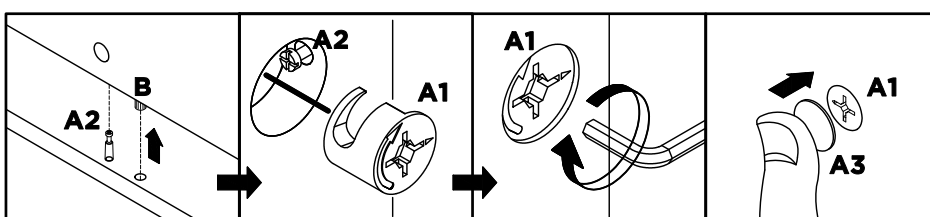
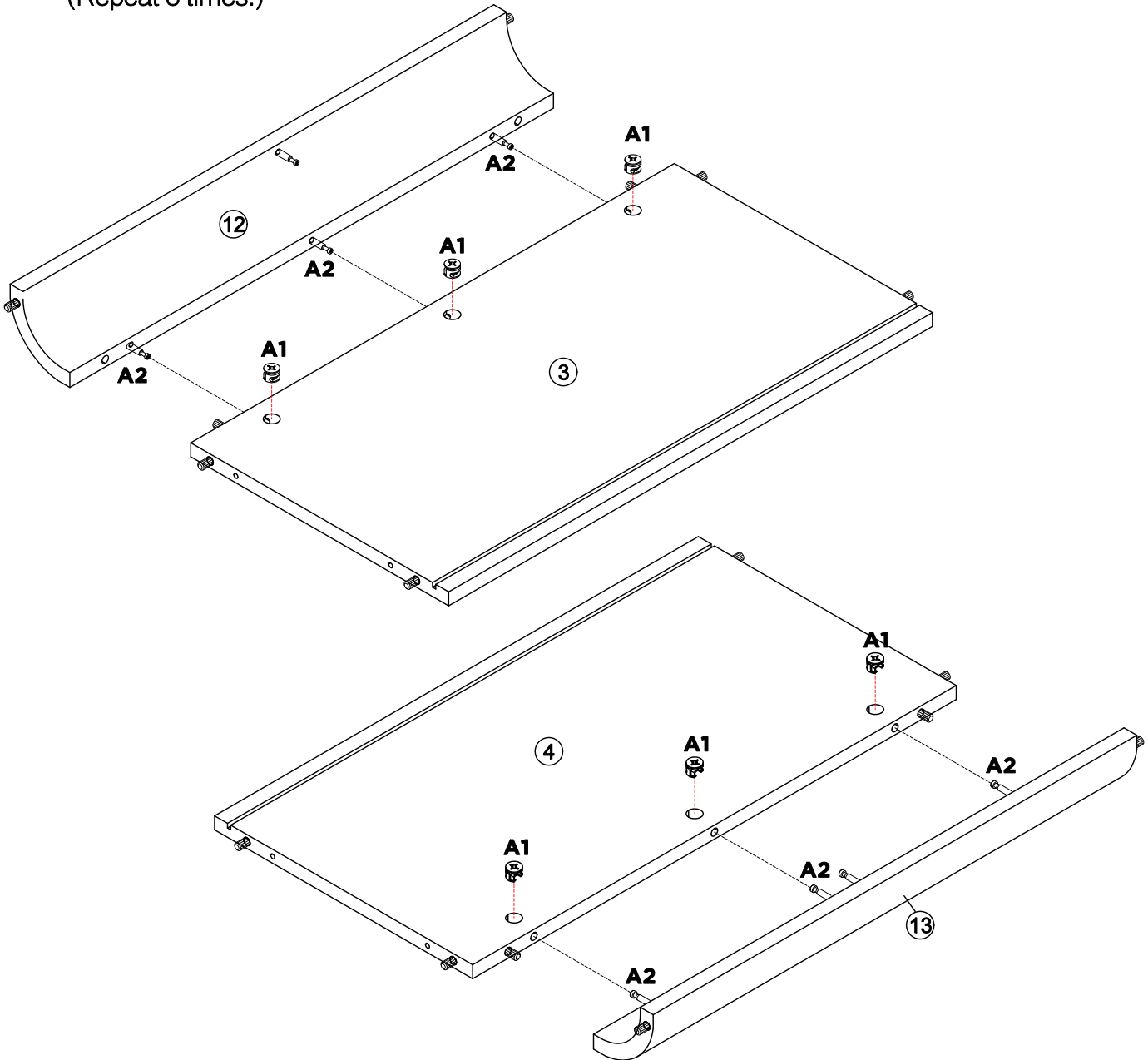
A1 x 4	A3 x 4



Step 7



- Attach panel (3) and (4) to panel (12) and (13).
- Insert all hardware A2 into A1.
- Rotate all A1 until tight.
- Apply A3 onto all A1.
- (Repeat 6 times.)

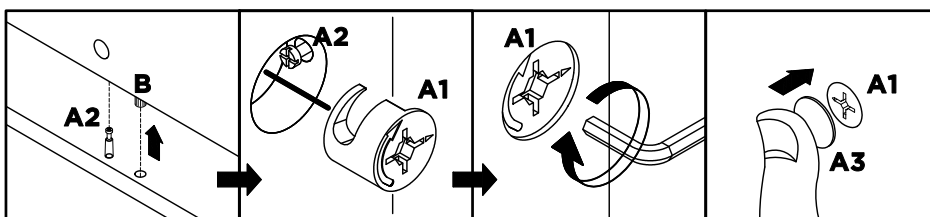
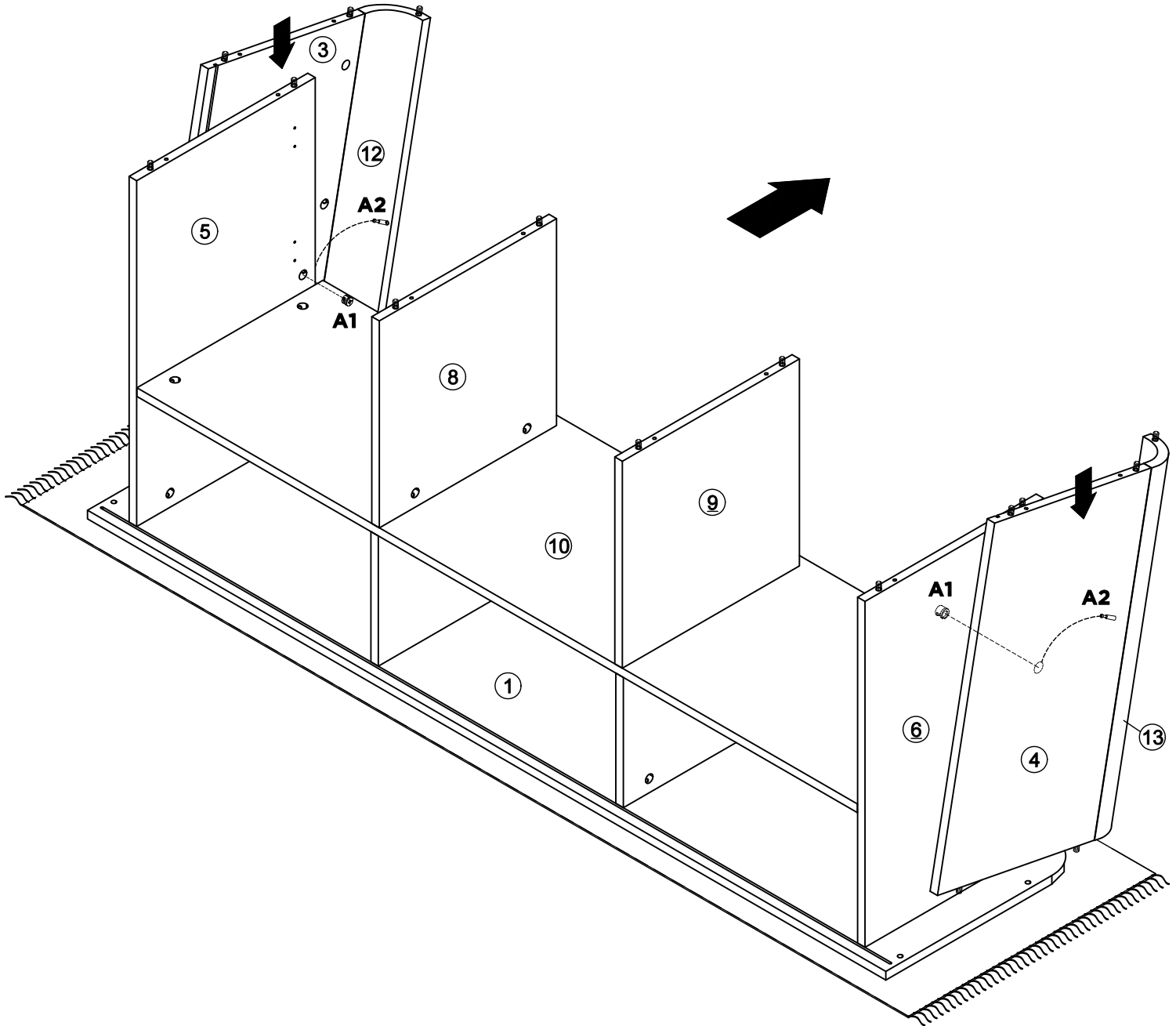
(A1) x 6	(A3) x 6
	



Step 8

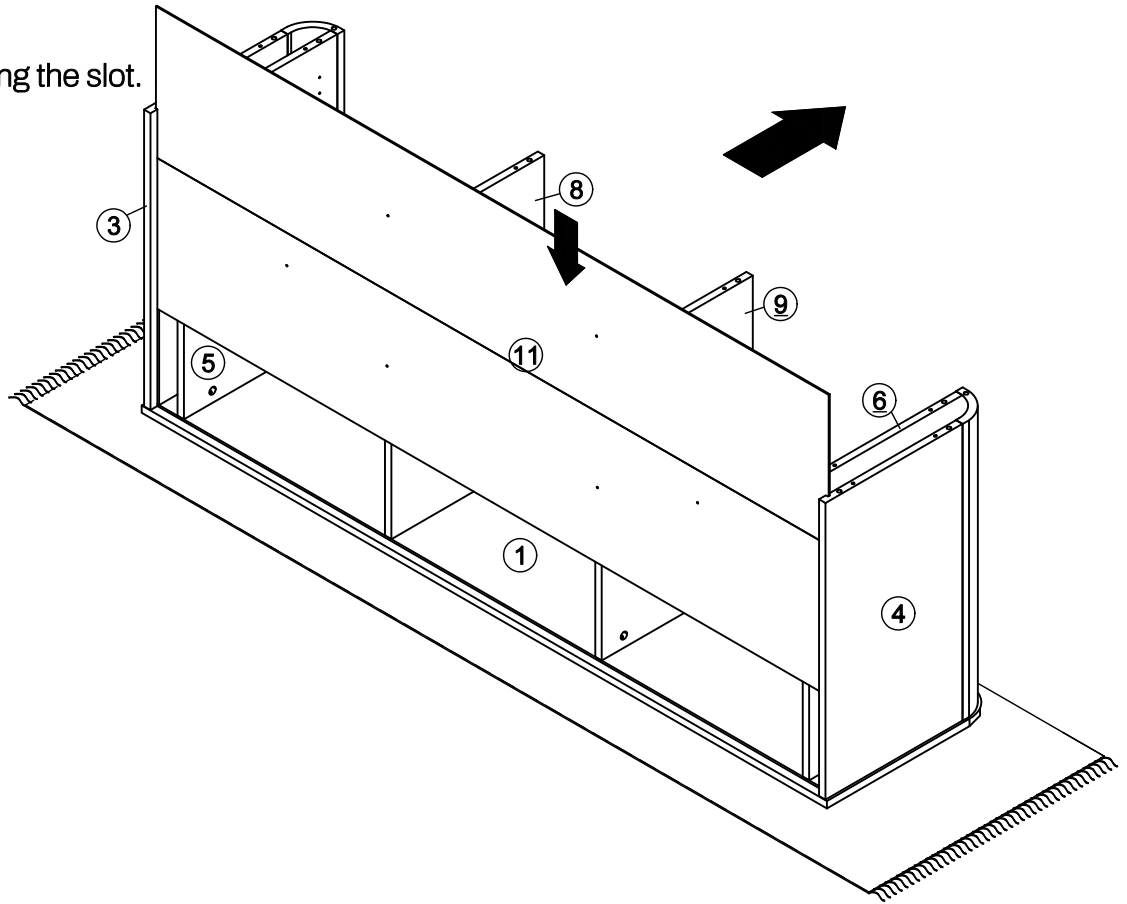
- Attach panel (12) to panel (5).
- Attach panel (13) to panel (6).
- Insert all hardware A2 into A1.
- Rotate all A1 until tight.
- Apply A3 onto all A1.
- (Repeat 2 times.)

(A1) x 2	(A3) x 2
	





Step 9

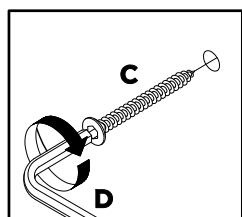
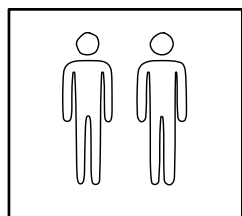
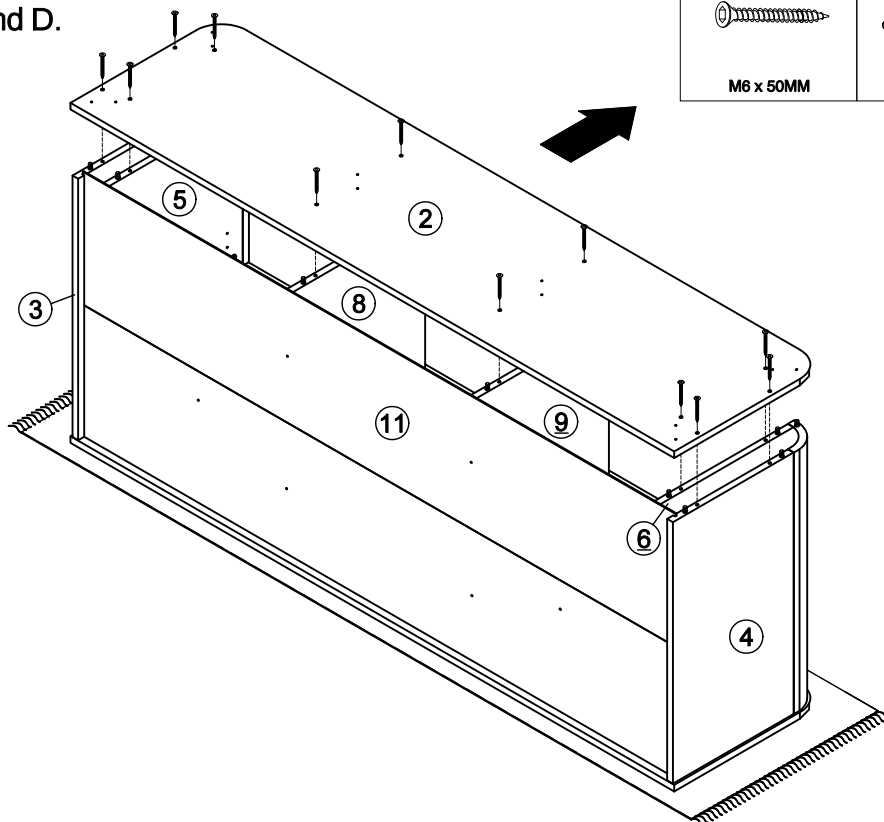
-Insert panel (11) along the slot.



Step 10

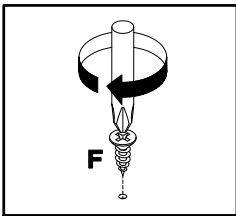
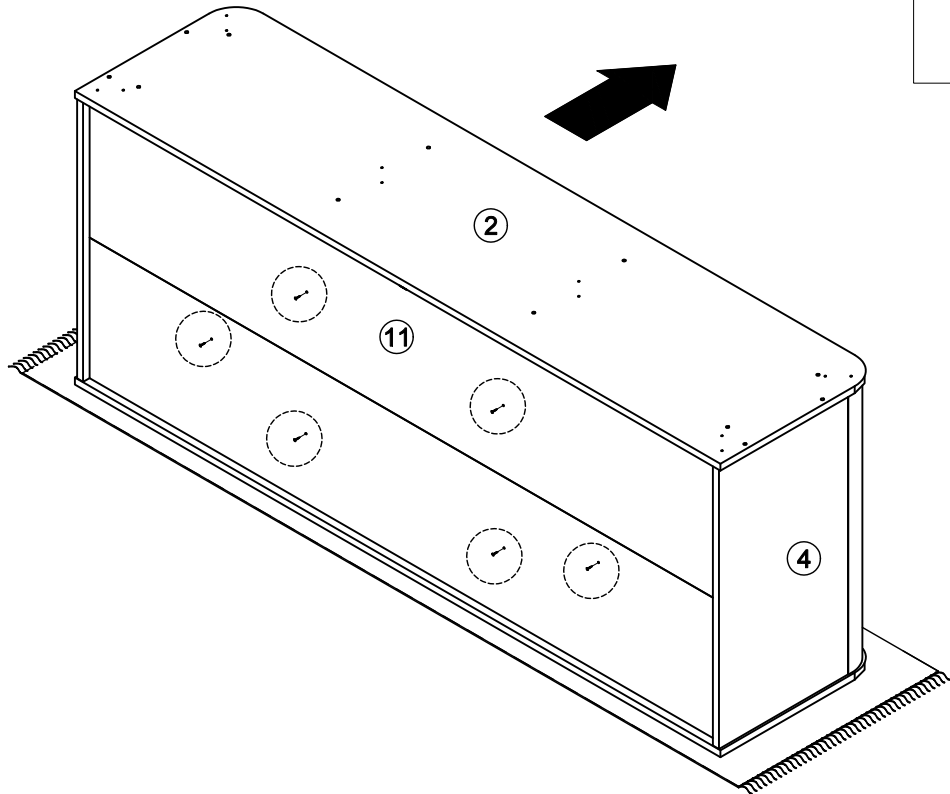
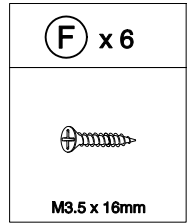
-Connect panel (2) to panel (3), (4), (5), (6), (8) and (9) by using hardware C and D. (Repeat 12 times.)

C x 12	D x 1
	
M6 x 50MM	



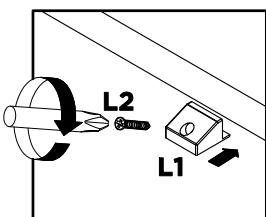
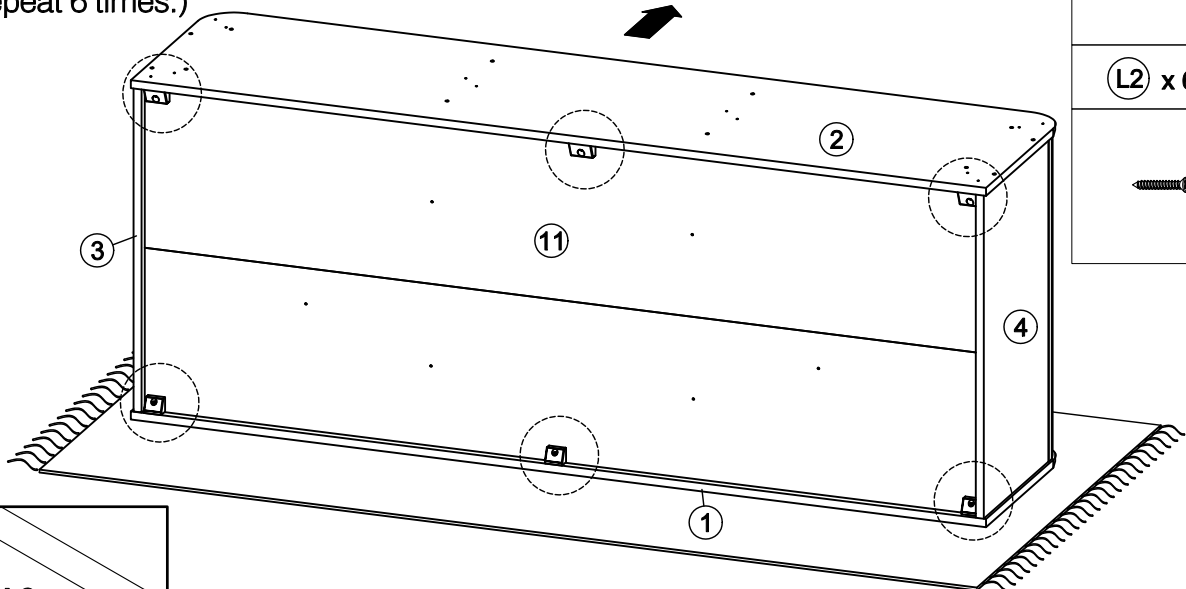
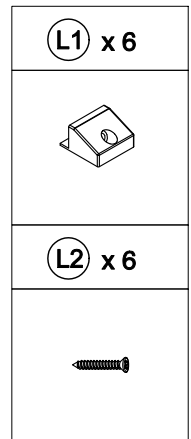
Step 11

-Connect panel (11) to body cabinet by using hardware F.




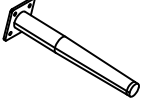
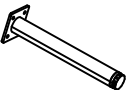
Step 12

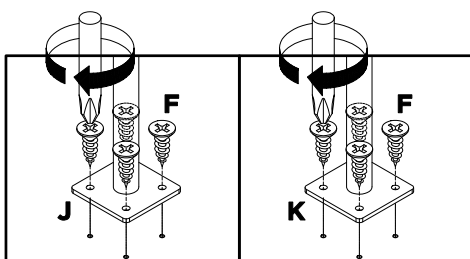
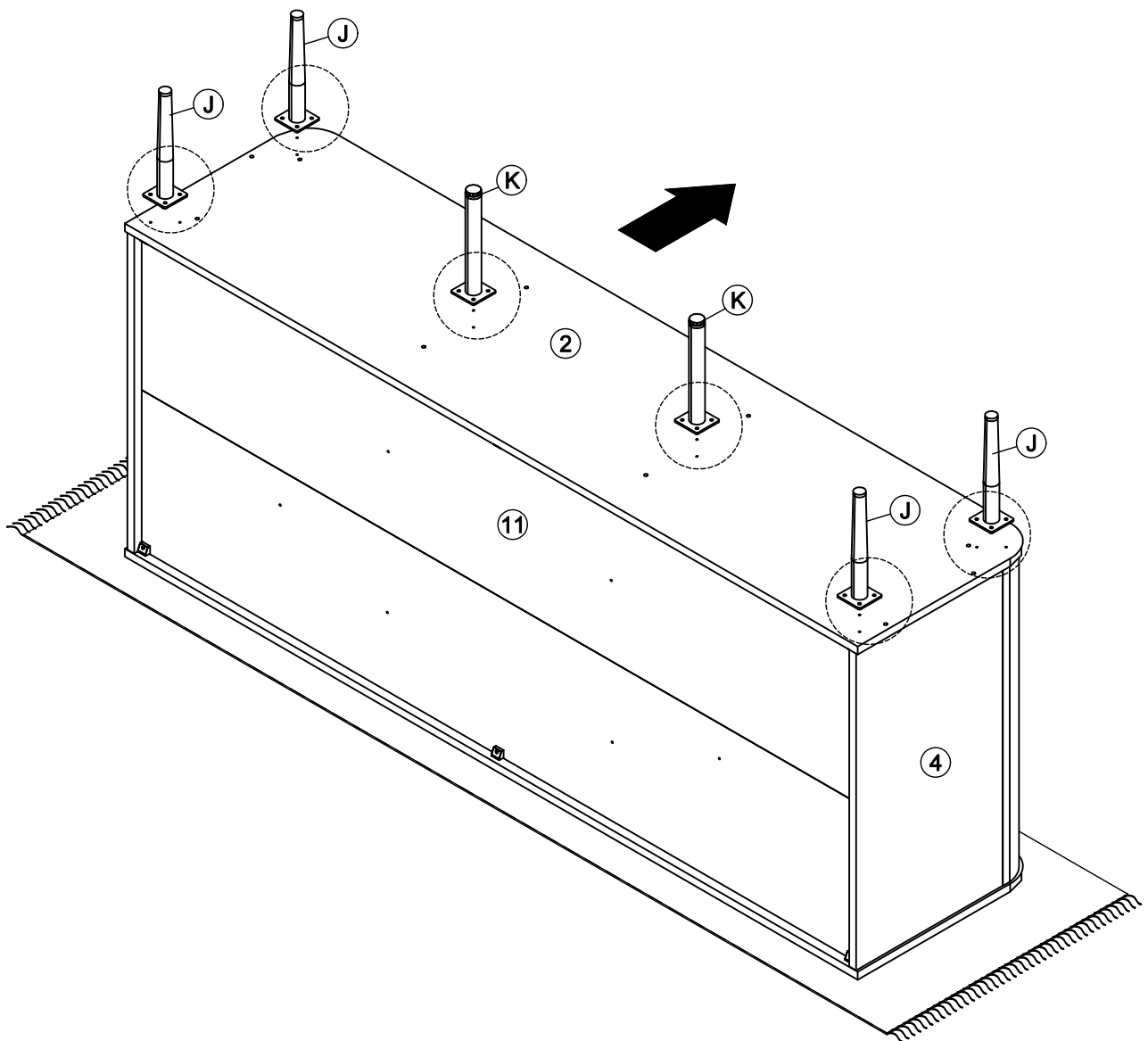
- Insert hardware L1 into slot at panel (1) and (2).
 - Assemble hardware L1 by using screw are included.
- (Repeat 6 times.)



Step 13

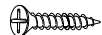
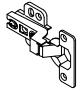


- Fix hardware J to panel (2) by using hardware F.
- Fix hardware K to panel (2) by using hardware F.
- (Repeat 4 times each hardware.)

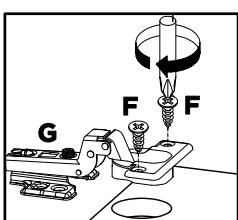
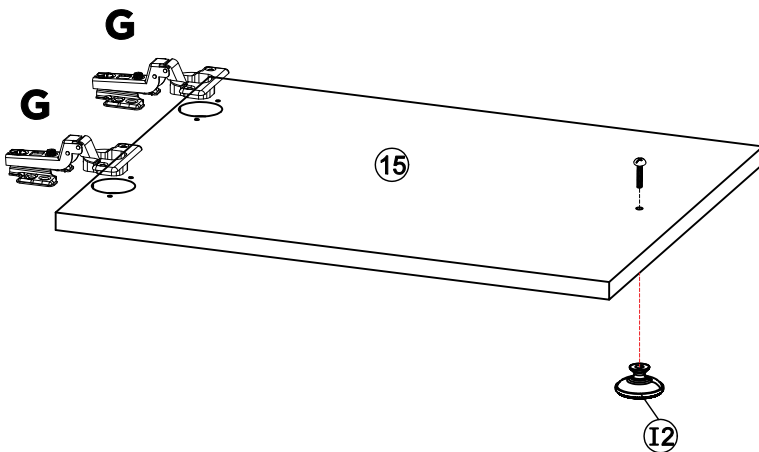
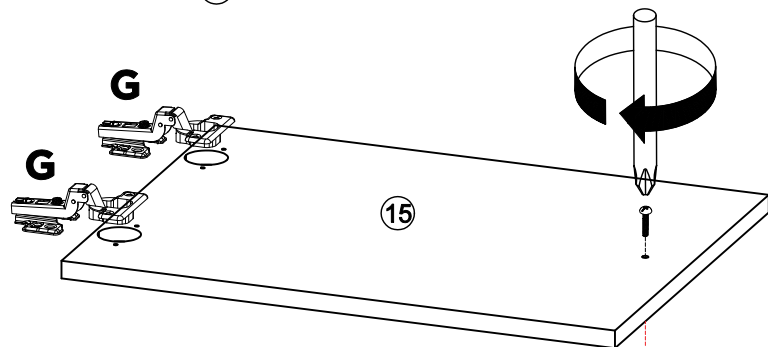
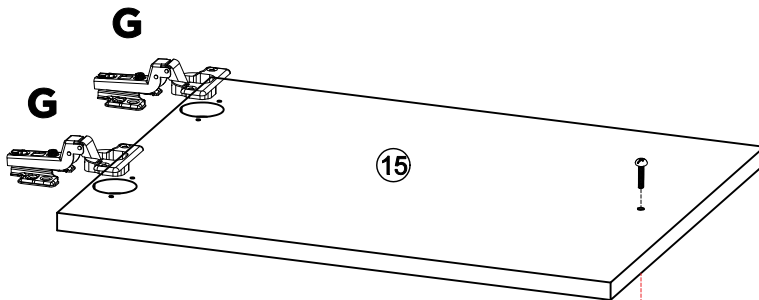
(F) x 24	(J) x 4	(K) x 2
		
M3.5 x 16mm		



Step 14

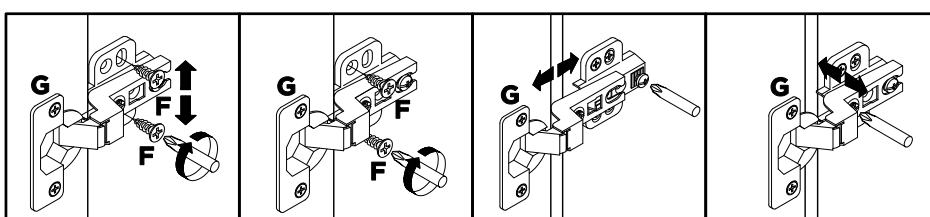
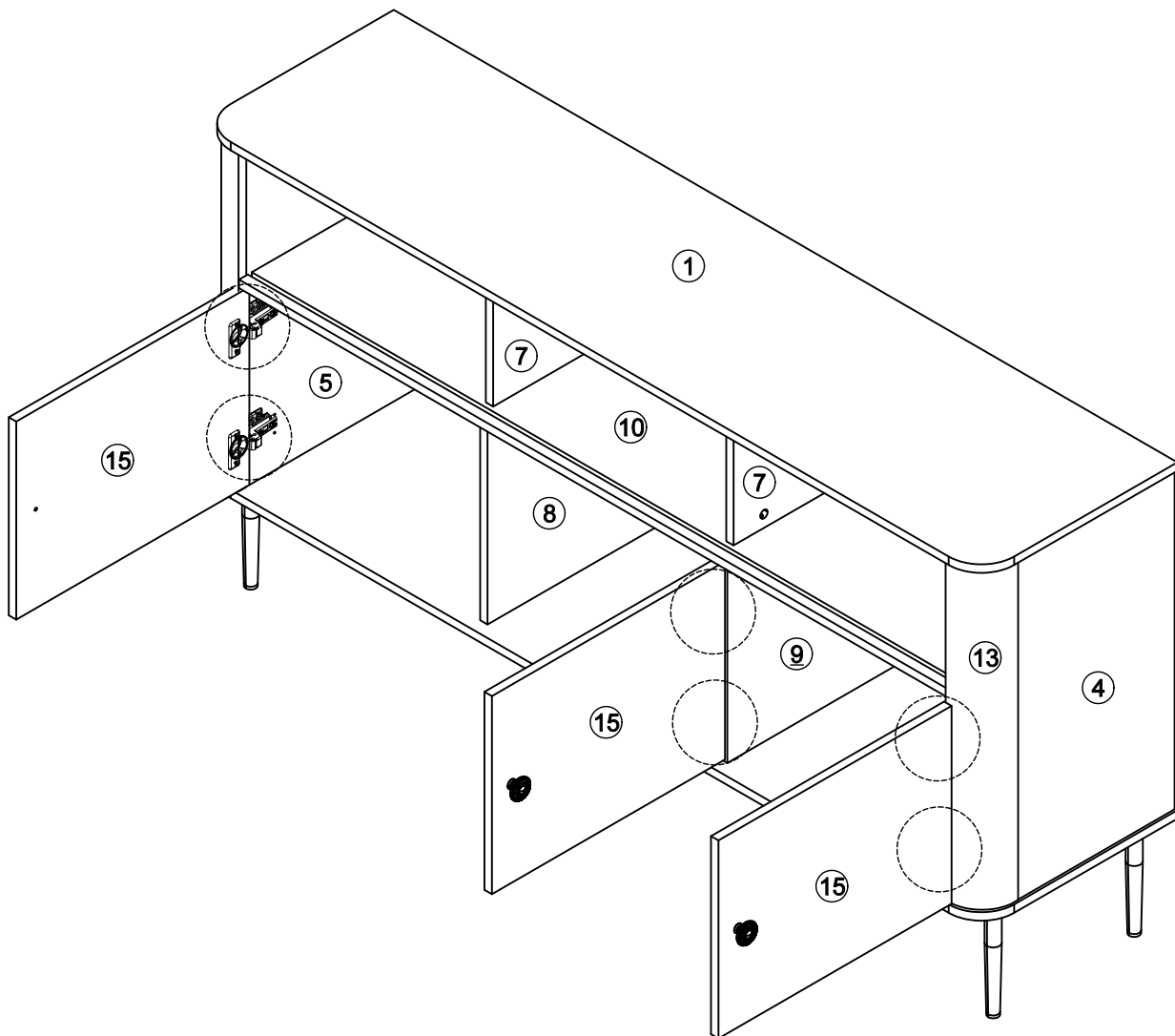
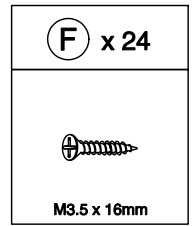
- Fix hardware G to panel (15) by using hardware F.
- Fix hardware I2 to panel (15) by using hardware I1.

F x 12	G x 6
 M3.5 x 16mm	
I1 x 3	I2 x 3
	




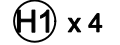
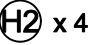

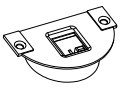

Step 15

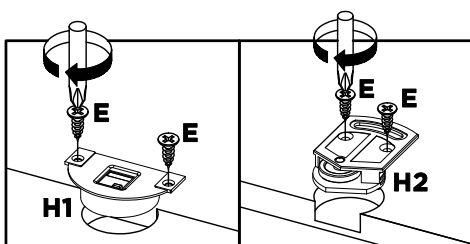
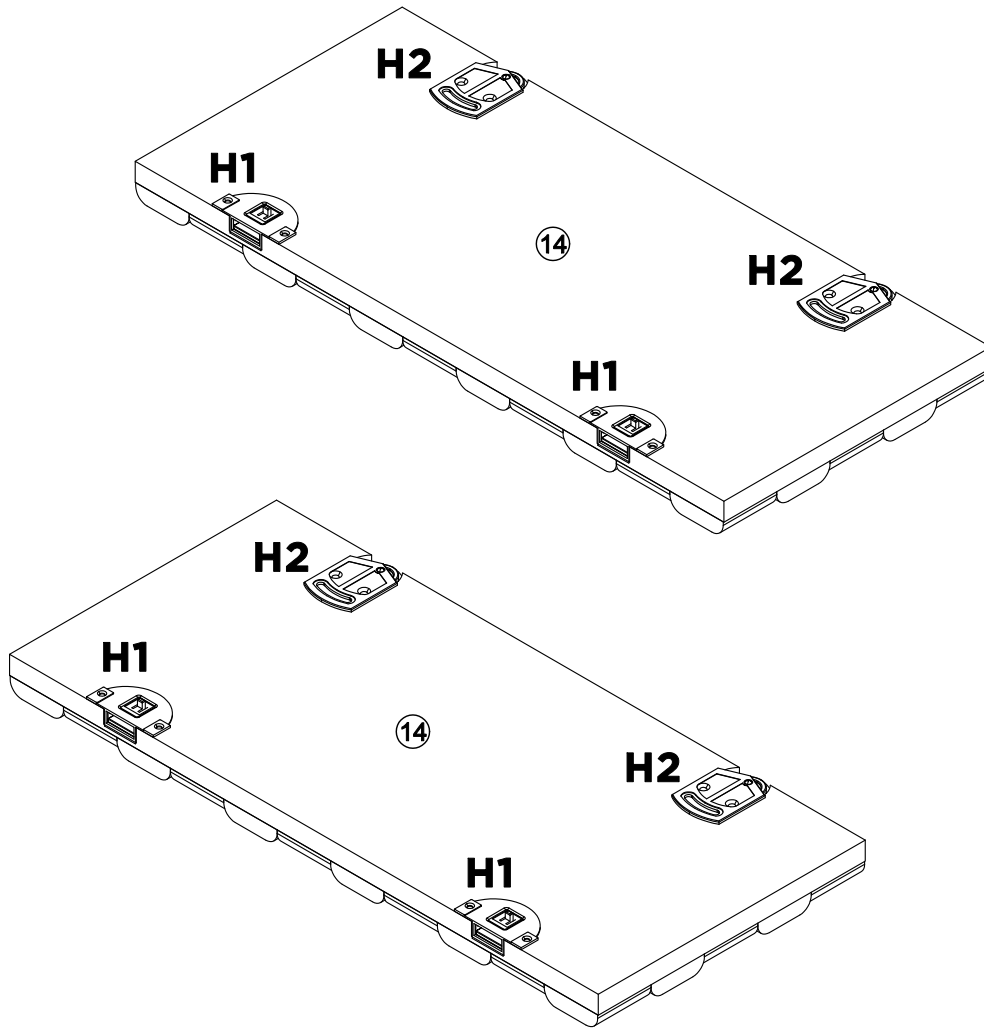
- Fix hardware G into panel (5), (6) and (9) by using hardware F.
- Tighten or loosen the screw to adjust position of panel (15).
(Do only when needed)



Step 16

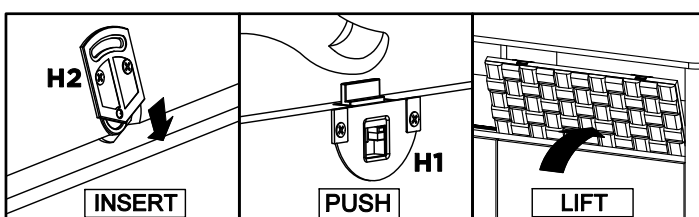
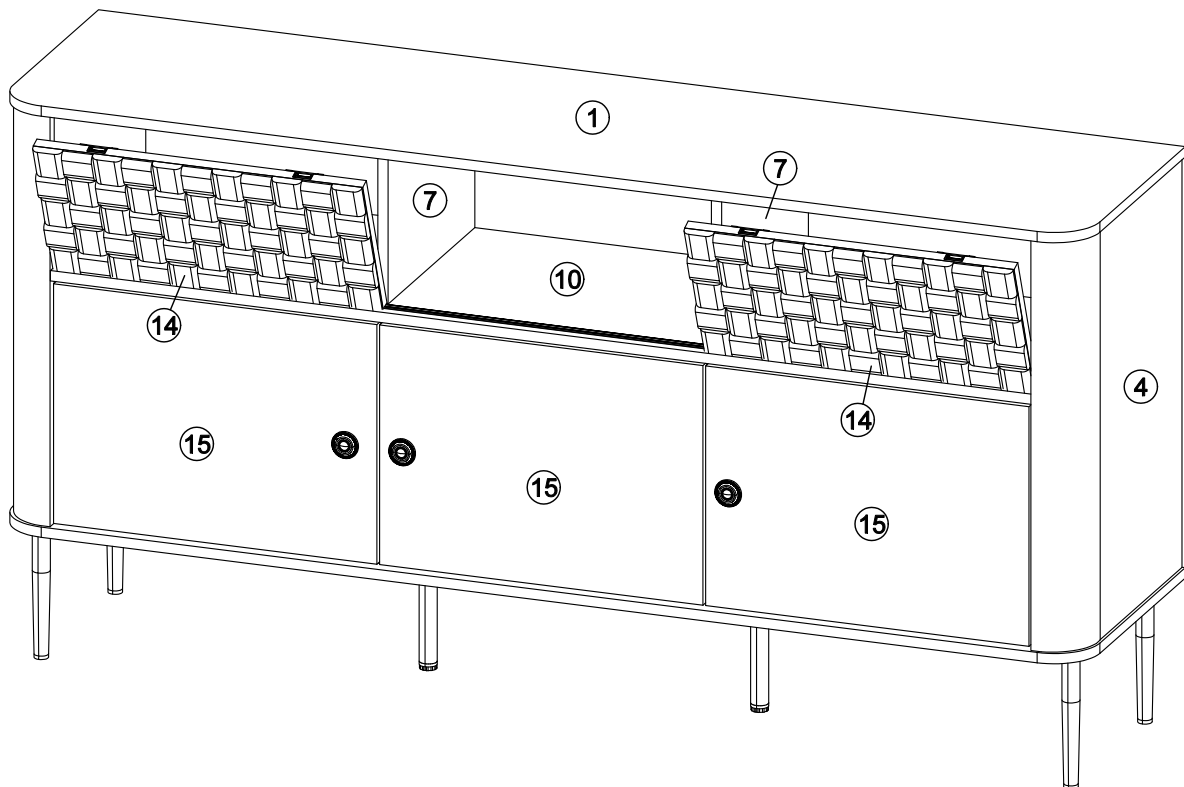
-Fix hardware H1 and H2 to panel (14) by using hardware E.

 E x 16	 H1 x 4	 H2 x 4
 M3 x 12mm		



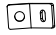
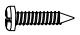
Step 17

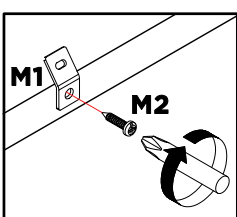
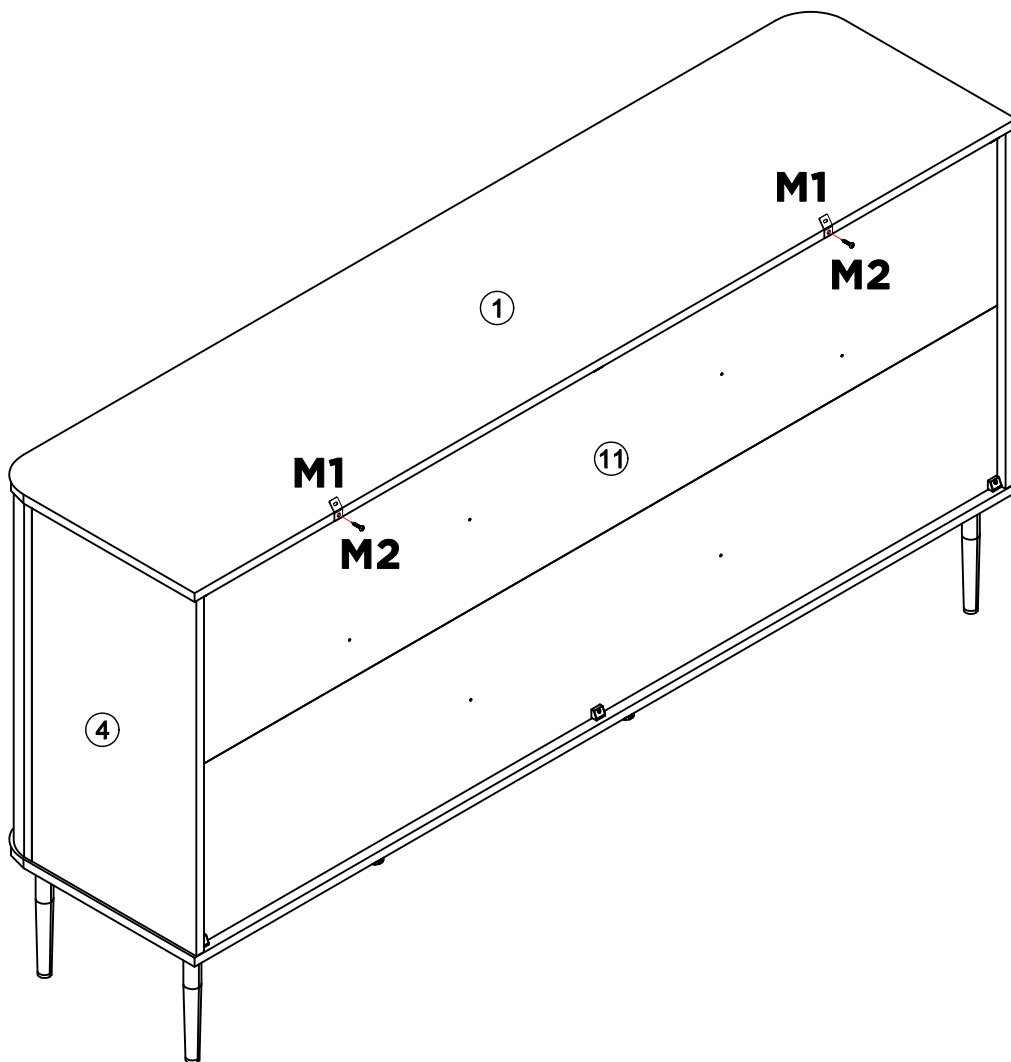
-Put the panel (14) in place.



Step 18

-Fix hardware M1 into panel (1) by using hardware M2.

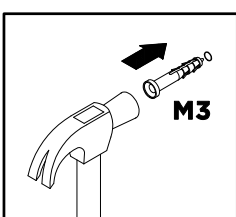
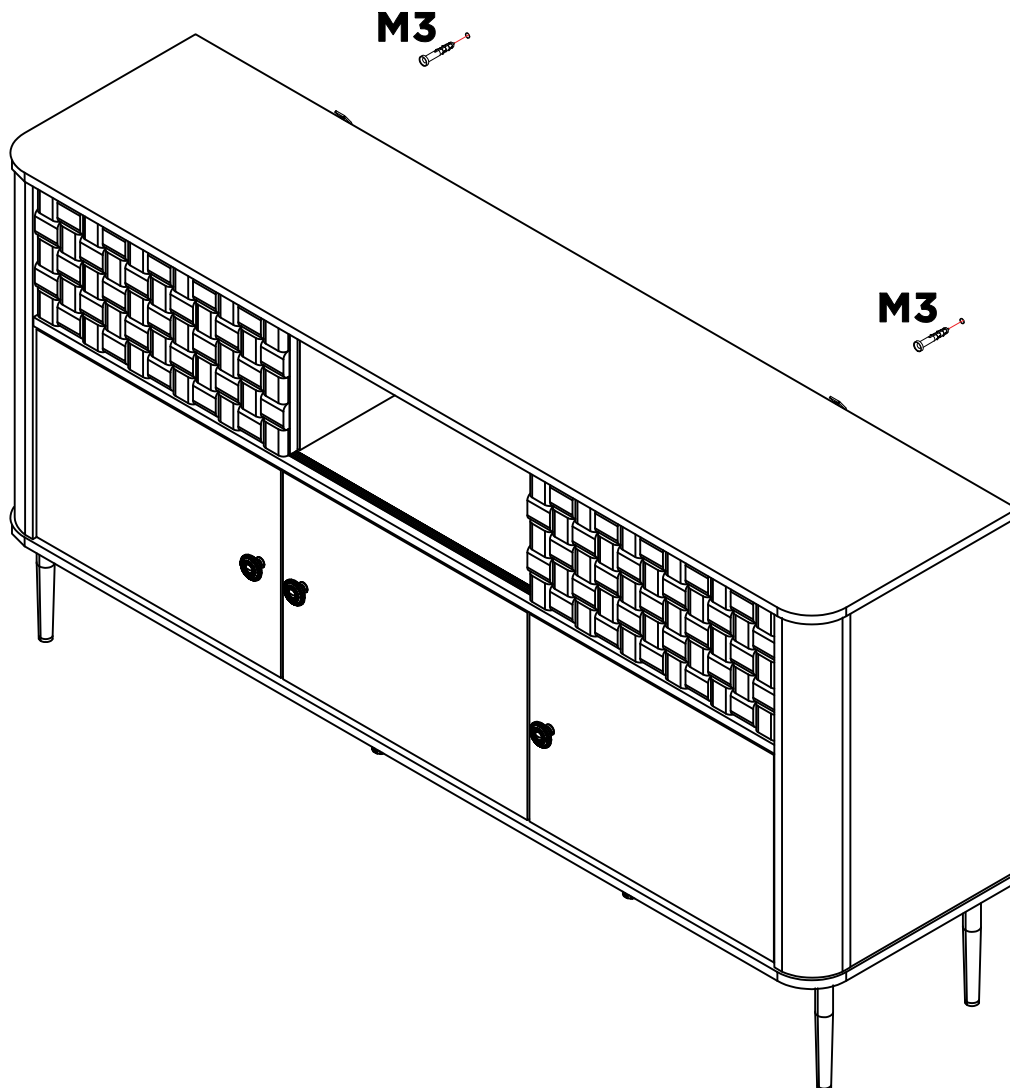
M1 x 2	M2 x 2
	



Step 19

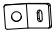
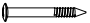
-Mark and use the power drill to drill a hole on the wall. Hit hardware M3 into the wall.

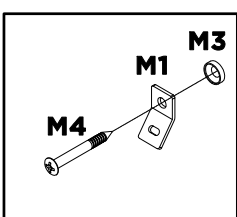
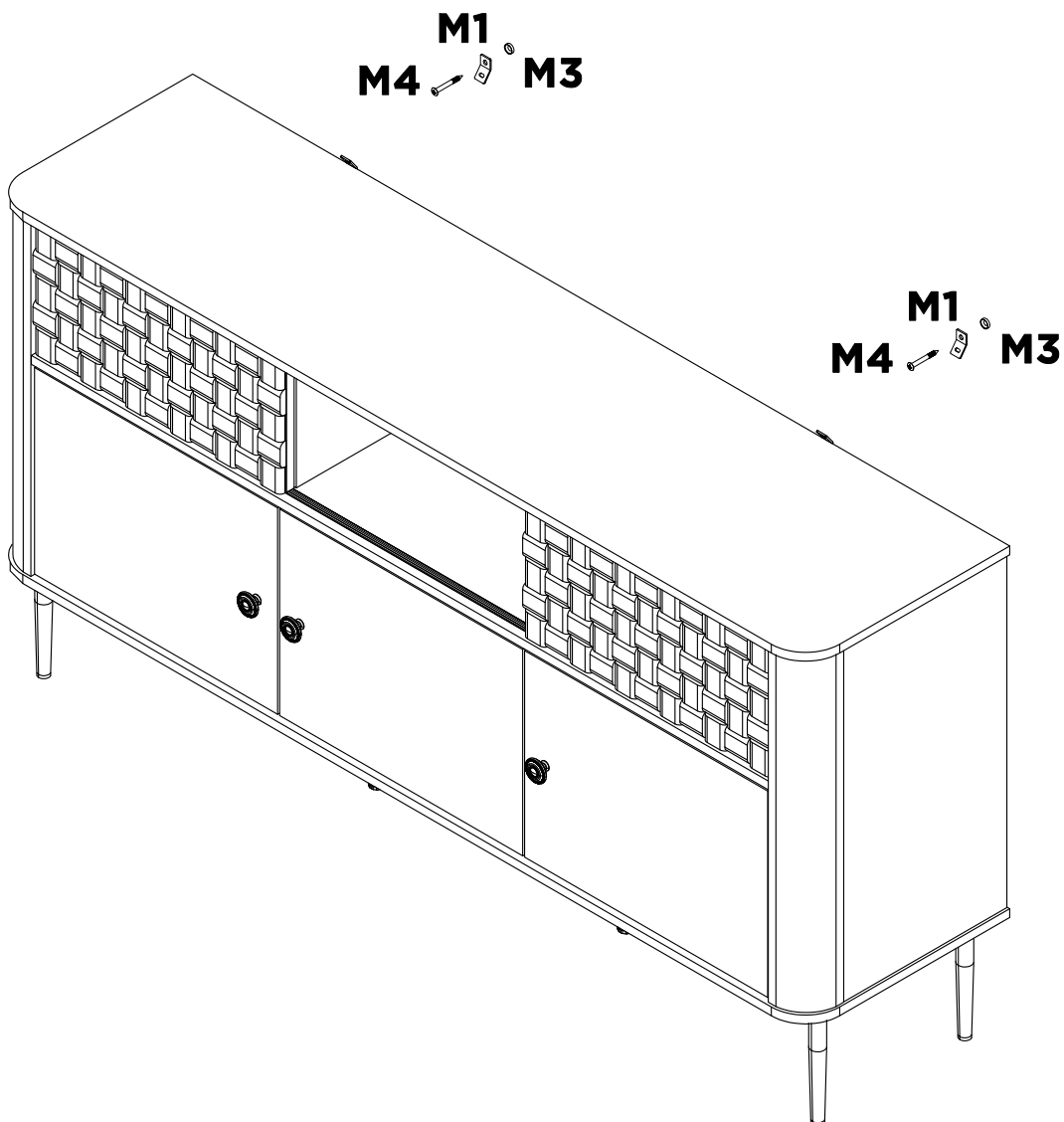
M3 x 2



Step 20

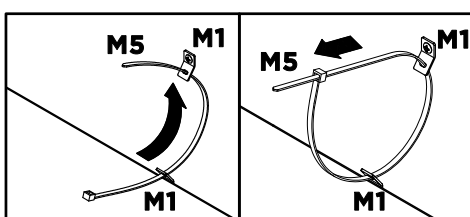
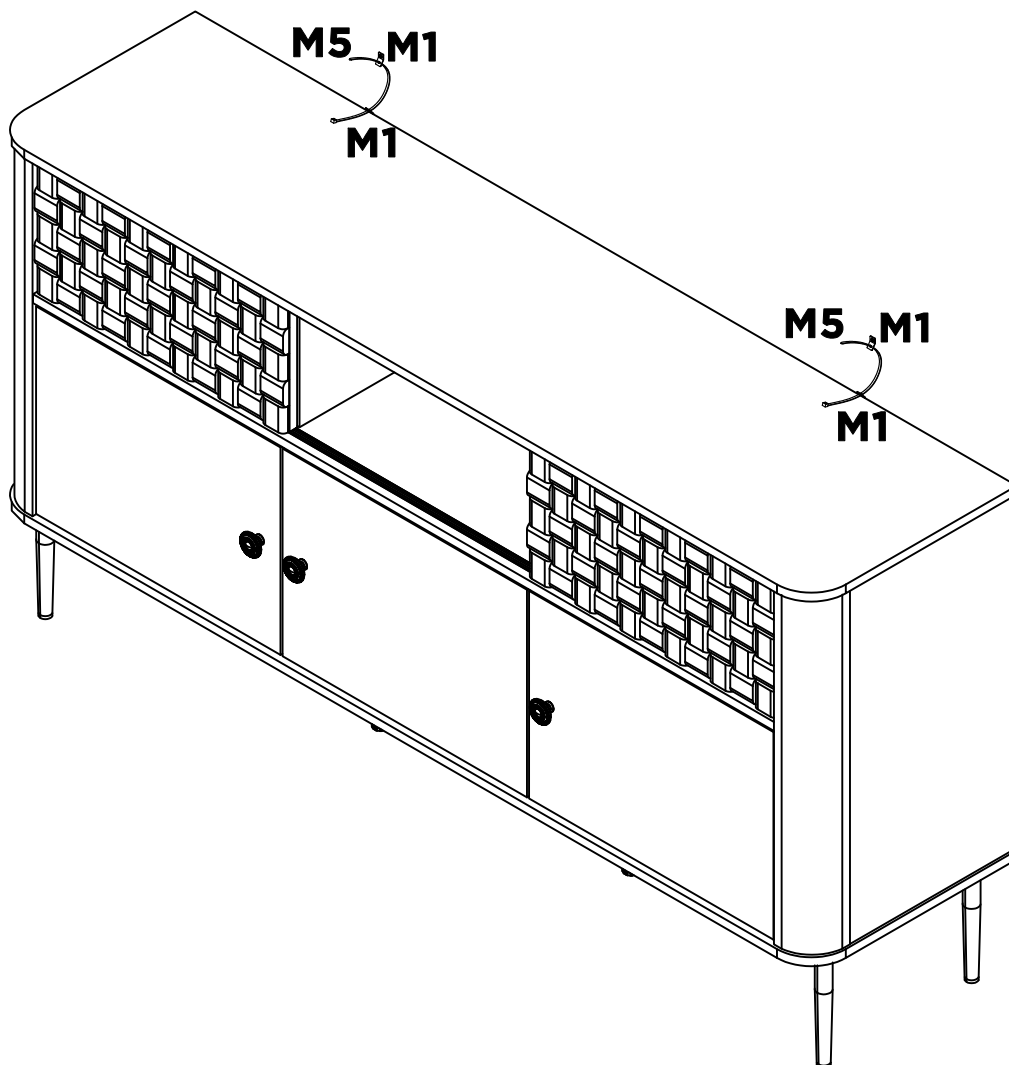
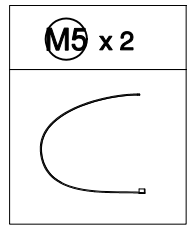
-Assemble hardware M1 to M3 by using hardware M4.

M1 x 2	M4 x 2
	



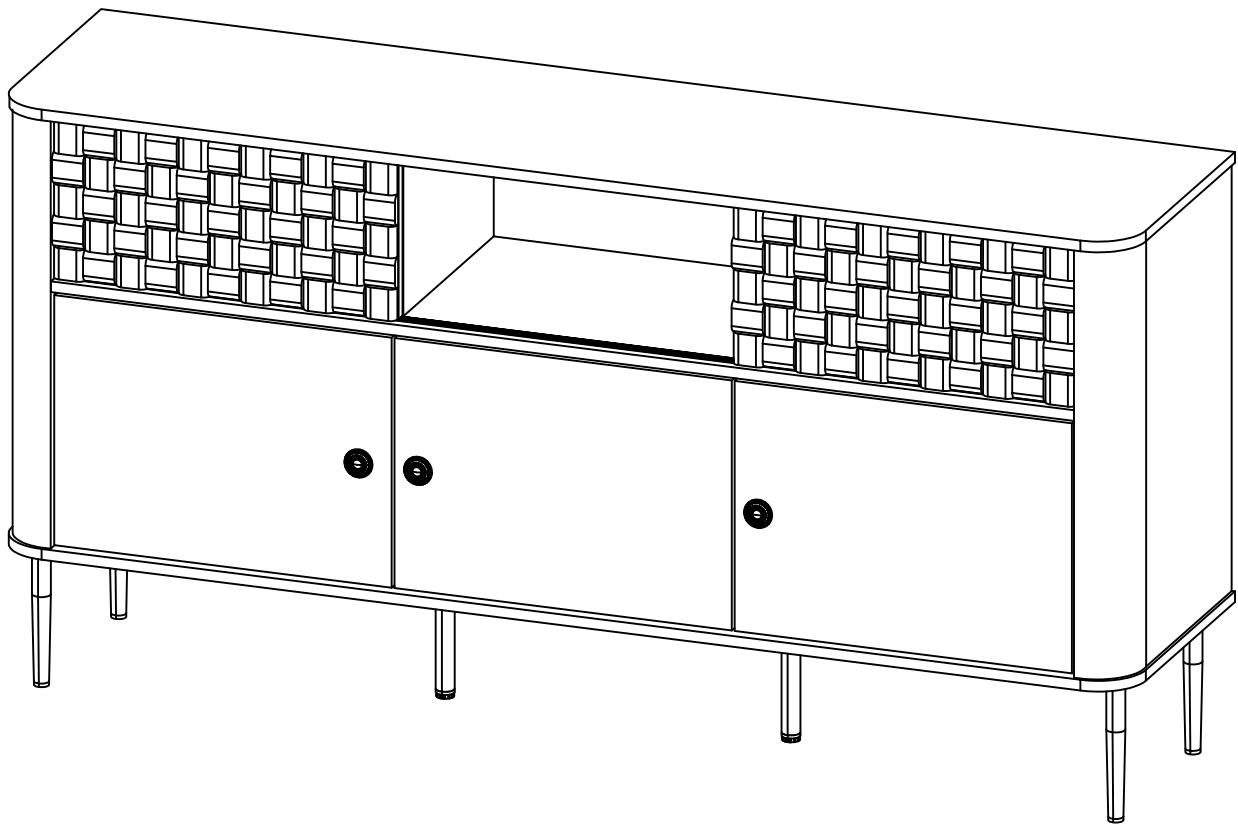
Step 21

-Connect both of the hardware M1 by using hardware M5. Tighten the hardware M5.



VOILA!

Now enjoy.



Warning

DO NOT sit or stand on the product as this may damage the product and cause serious bodily injury.