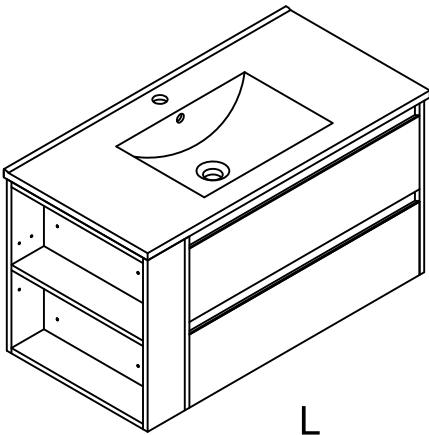
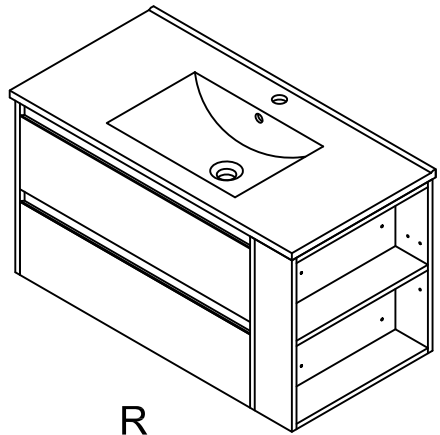


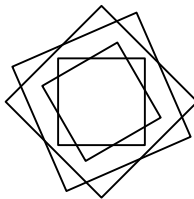
# Owner Manual



L




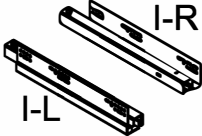
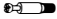











R



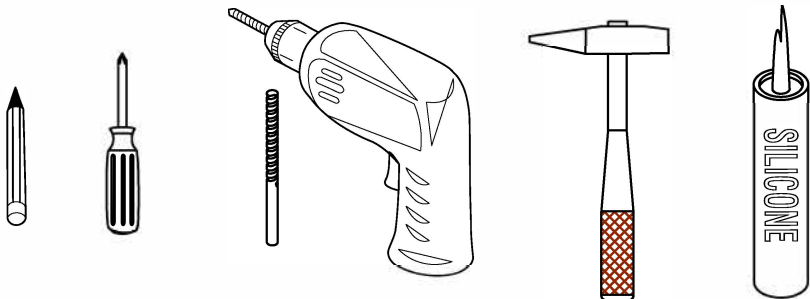
**Thank you for shopping with us!**

We encourage you to take a few minutes to go through this booklet. It contains important information on installation and care tips to keep your furniture looking as good as new.

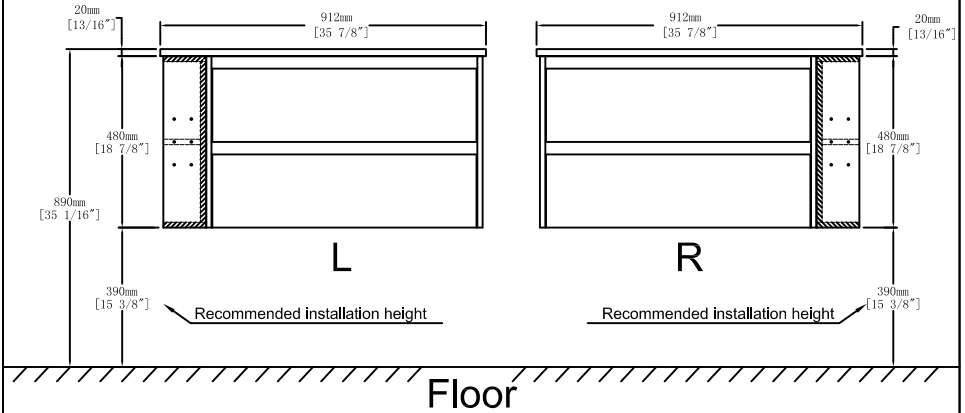
## Hardware

| NO. | Draw  | QTY | NO. | Draw  | QTY |
|-----|---|-----|-----|---|-----|
| A   | <br>Screws Ø4x14mm             | 40  | I   | <br>I-R<br>I-L<br>Track              | 2   |
| B   | <br>Two-in-one connector       | 73  |     |   |     |
| C   | <br>Two-in-one connector       | 73  |     |   |     |
| D   | <br>Wood plug                  | 2   | J   | <br>Screws Ø4x25mm                   | 4   |
| E   | <br>Plastic anchor(Ø10mm)      | 4   | K   | <br>Screws Ø4x20mm                   | 8   |
| F   | <br>Screws for fix on the wall | 4   | L   | <br>Activity layer board accessories | 4   |
| G   | <br>Bracket (53x70x44mm)       | 2   | M   | <br>Anti-collision gasket            | 8   |
| H   | <br>Bracket (19x19x35mm)       | 2   | N   | <br>Screwdriver                      | 1   |

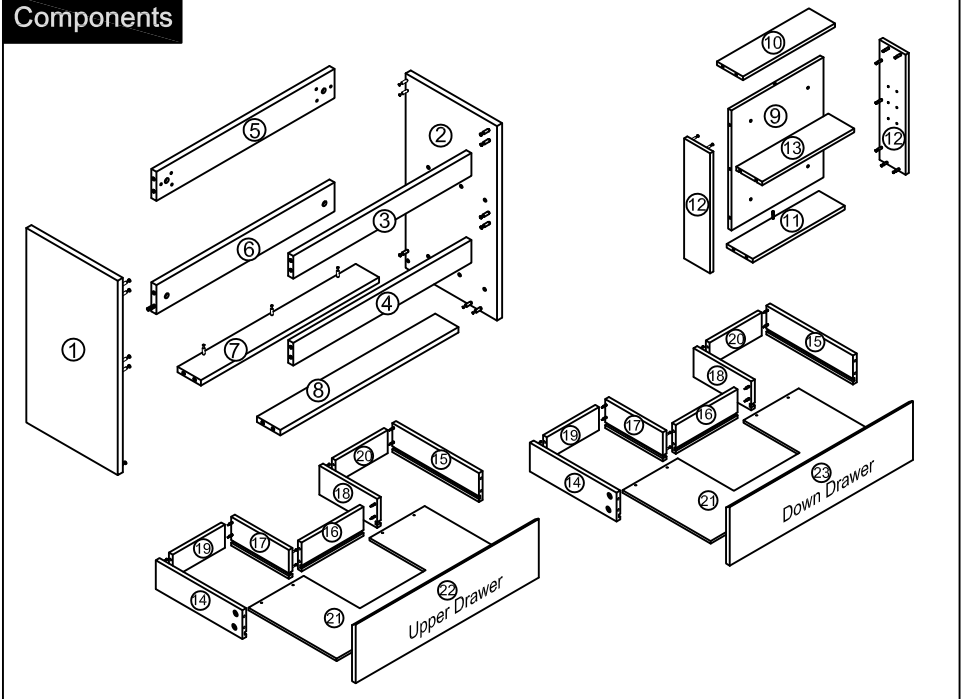
## Recommended tools



## Dimensions

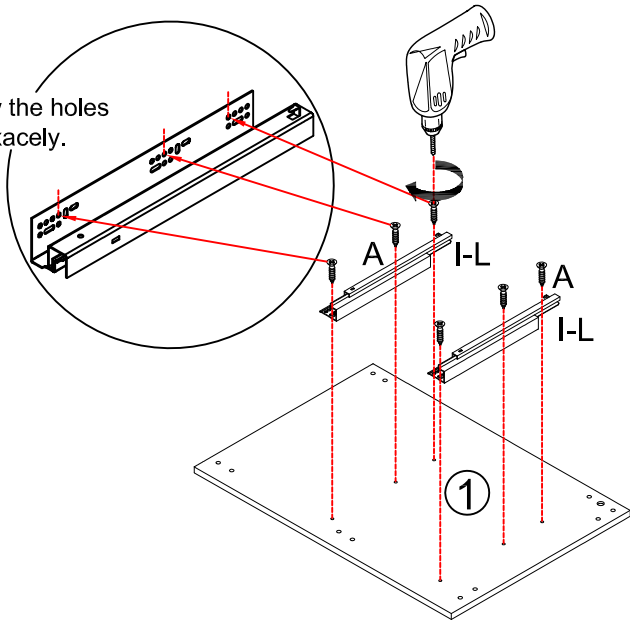





## Components



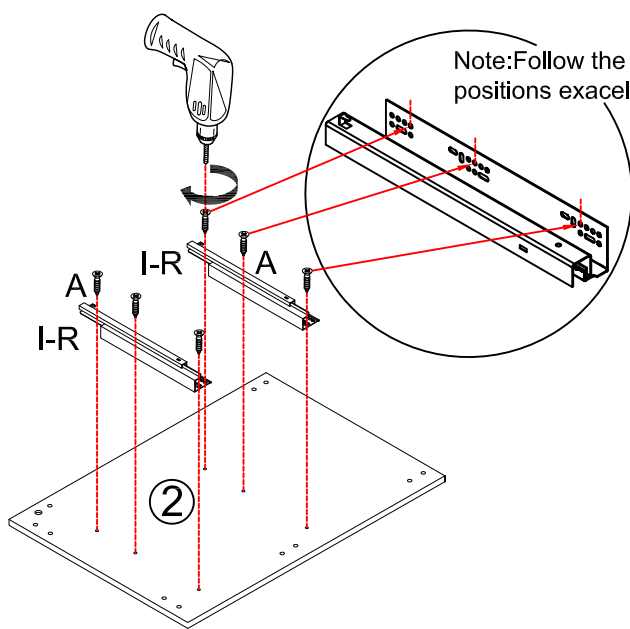
# Step 1

Note: Follow the holes positions exacely.

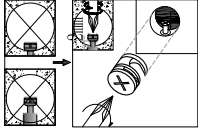
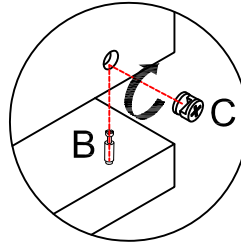
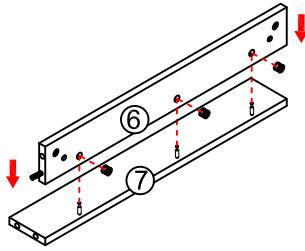


|  |
|--|
| <br>I-L I-R<br>x2                                      |
| I<br>( $\varnothing 4 \times 14\text{mm}$ )<br><br>x12 |
| A<br>   |
| Tool   |

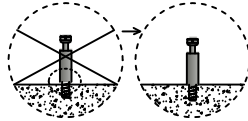
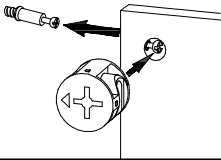
Note: Follow the holes positions exacely.



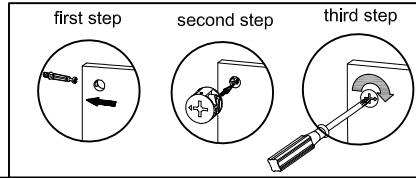
## Step 2

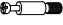




Attention: The lock handle arrow points to the side face.

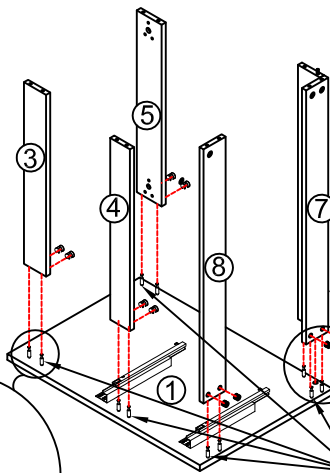


Notes: Screw installation depth as shown

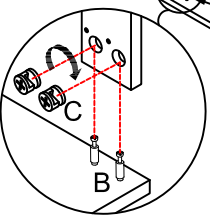
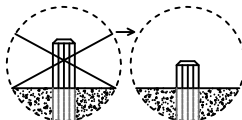
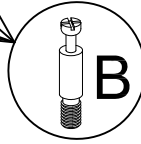
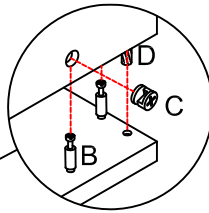


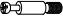



-  x3
- B
-  x3
- C
- 
- N

## Step 3

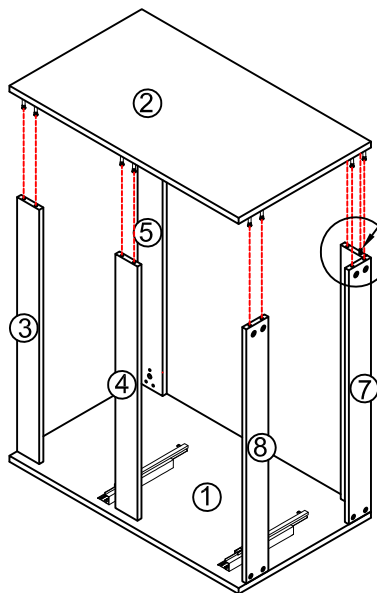


Note: The D parts are used for this hole.

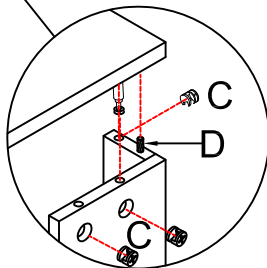


-  x11
- B
-  x11
- C
-  x1
- D
- 
- N

## Step 4



Note: The D parts are used for this hole.



x11

B



x11

C



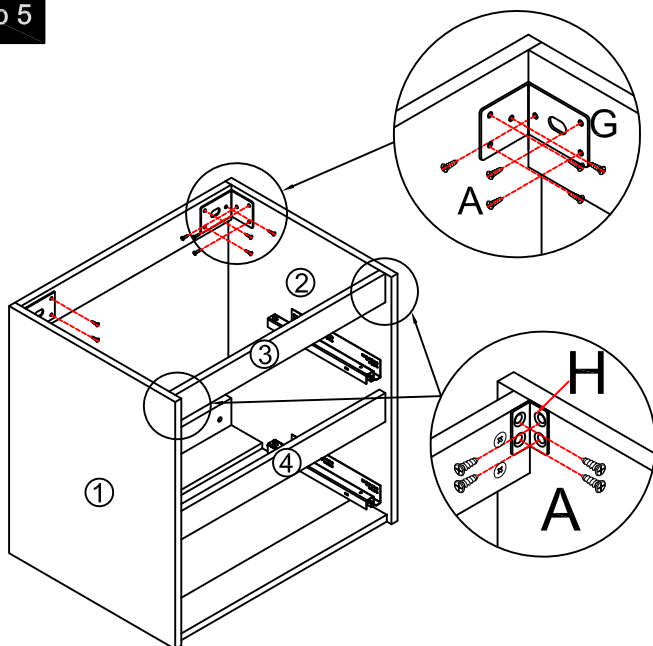
x1

D



N

## Step 5



x2

G



x2

H

( $\varnothing 4 \times 14\text{mm}$ )



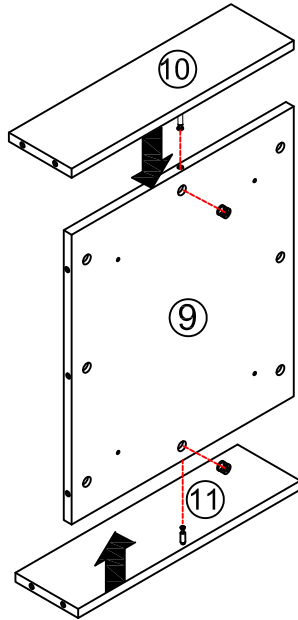
x20


A



Tool

### Step 6



 x2

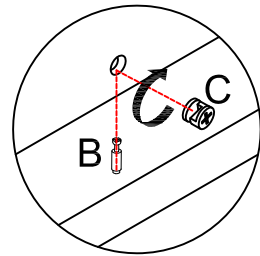
B

 x2

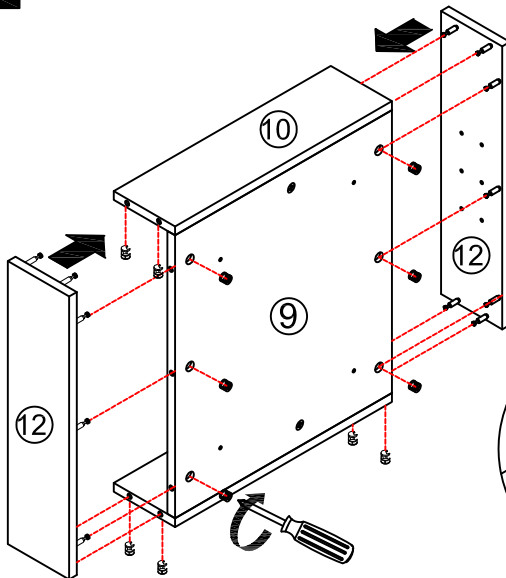
C




N



### Step 7



 x14

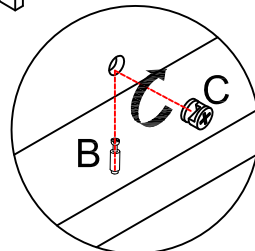
B

 x14

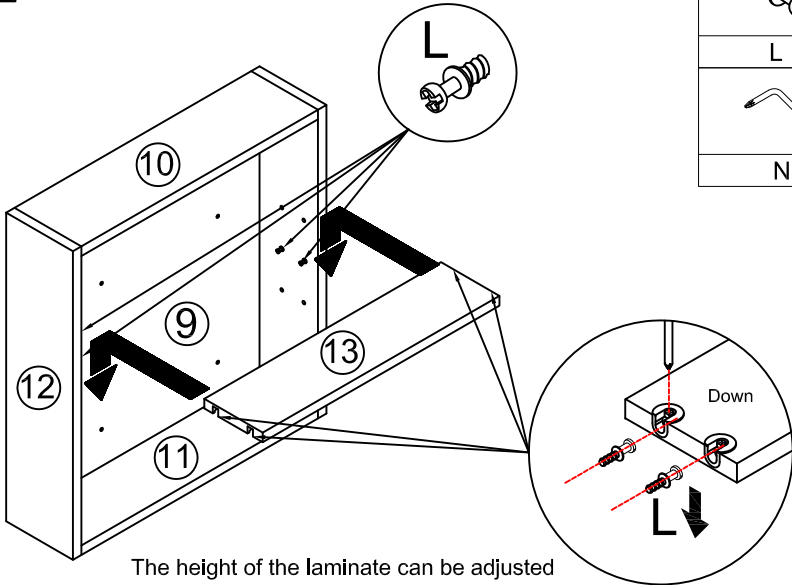
C



N



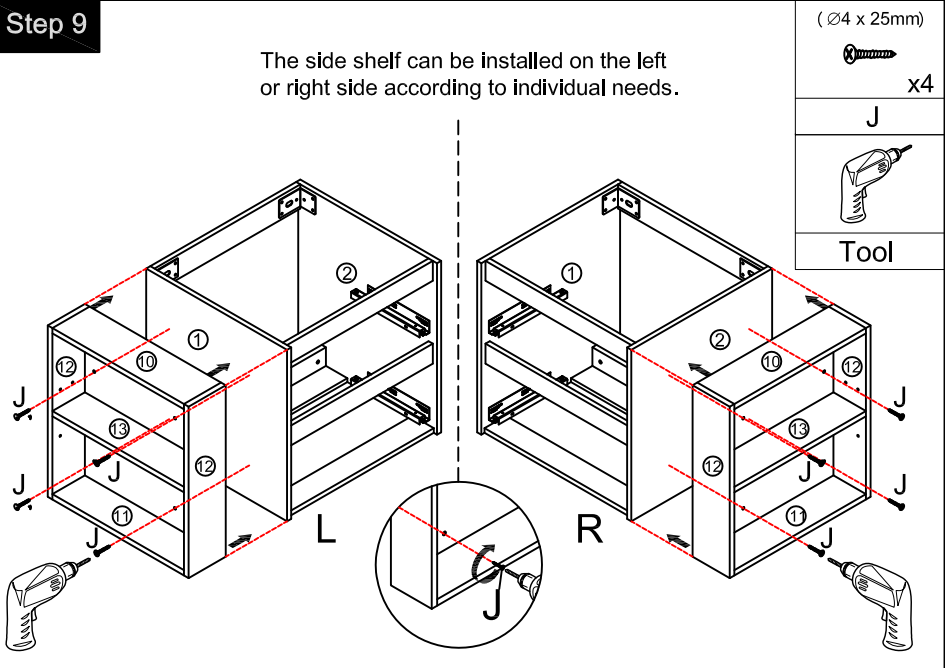
## Step 8



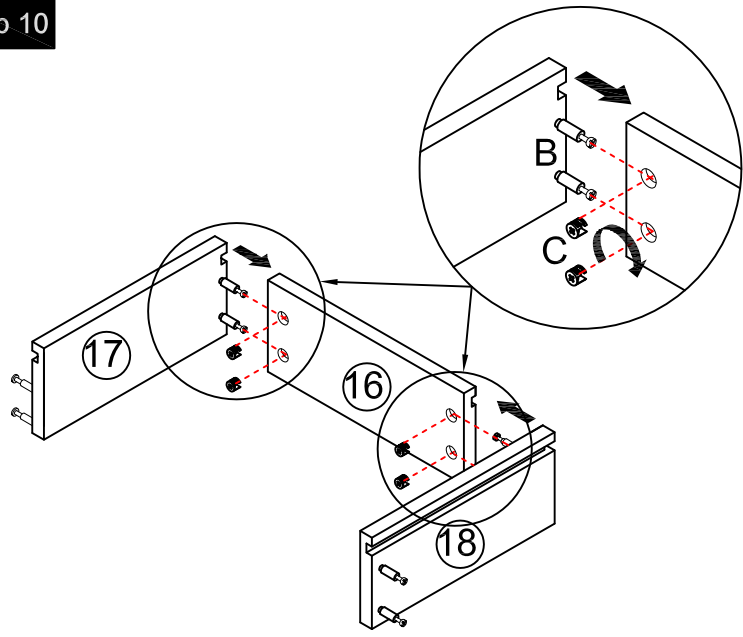
The height of the laminate can be adjusted according to the position of the holes.

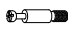


## Step 9

The side shelf can be installed on the left or right side according to individual needs.

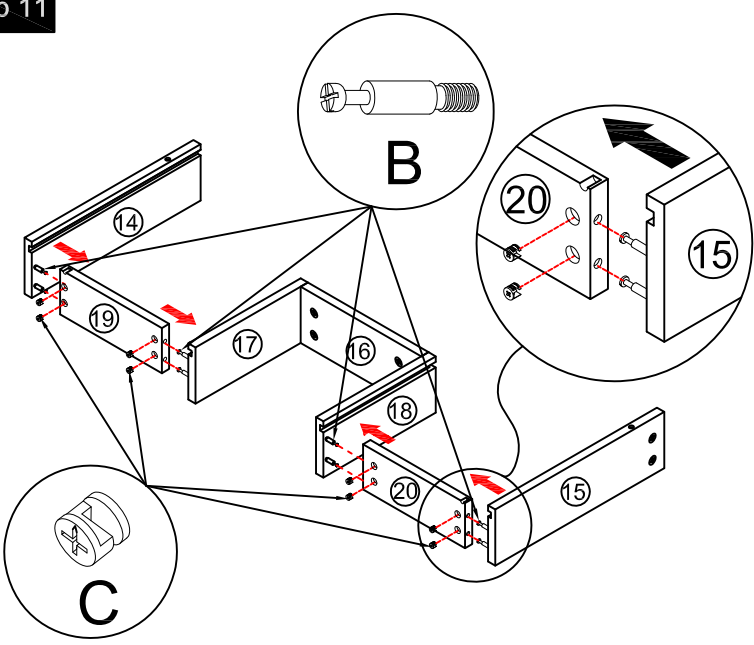


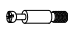


**Step 10**



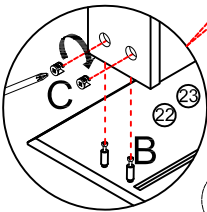
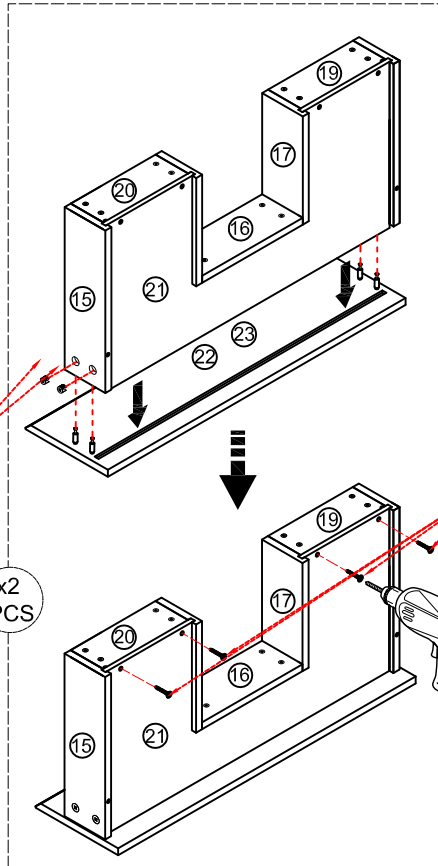
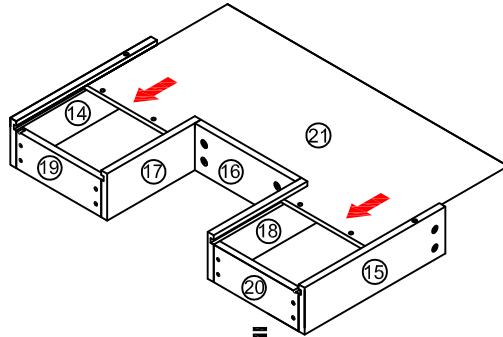
|   |    |
|---|----|
|  | x8 |
| B   |    |
|  | x8 |
| C   |    |
|  |    |
| N   |    |

**Step 11**

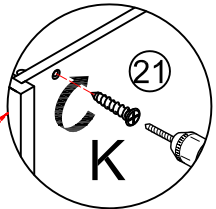


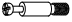

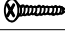
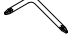

|   |     |
|---|-----|
|    | x16 |
| B   |     |
|    | x16 |
| C   |     |
|  |     |
| N   |     |

# Step 12



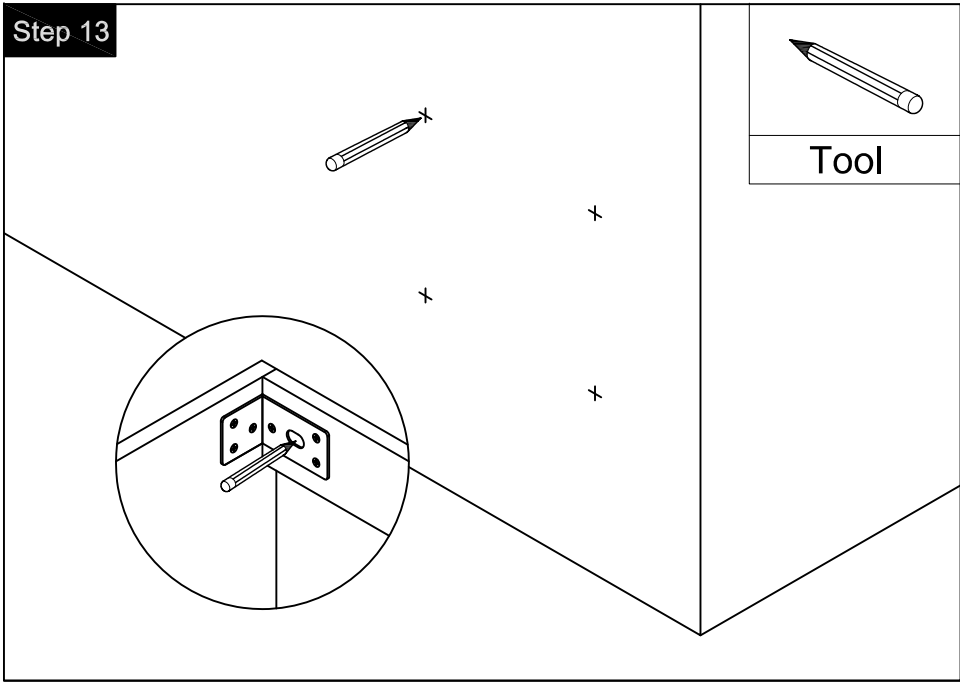
x2  
PCS



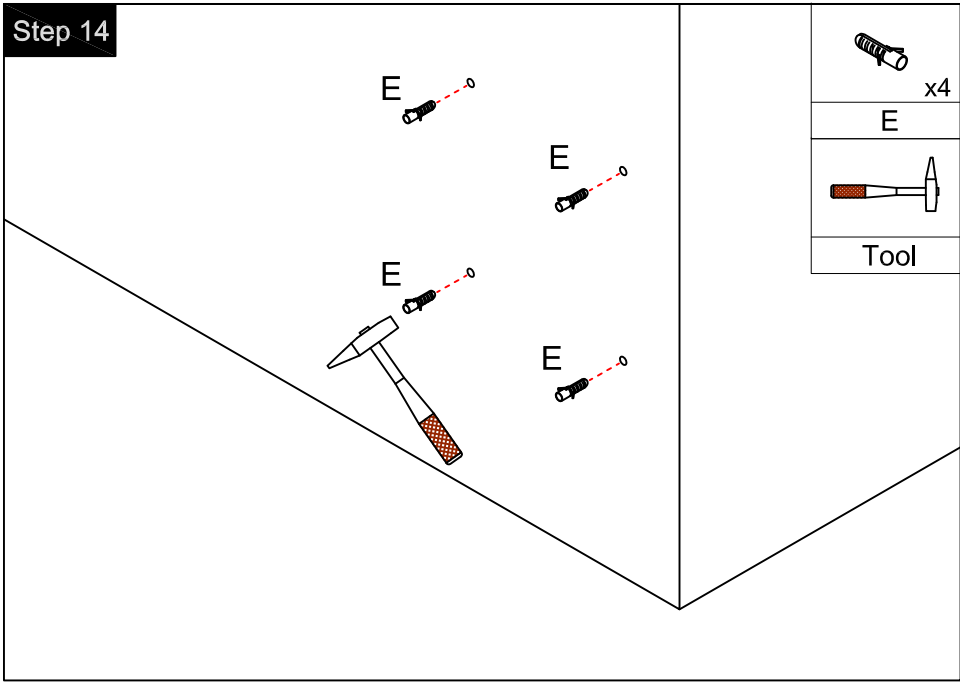
|  |    |
|--|----|
|  | x8 |
| B  |    |
|   | x8 |
| C  |    |
| ( $\varnothing 4 \times 20\text{mm}$ )   |    |
|  | x8 |
| K  |    |
|  |    |
| N  |    |
|  |    |
| Tool   |    |

The installation of ②② and ②③ is as above.

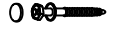
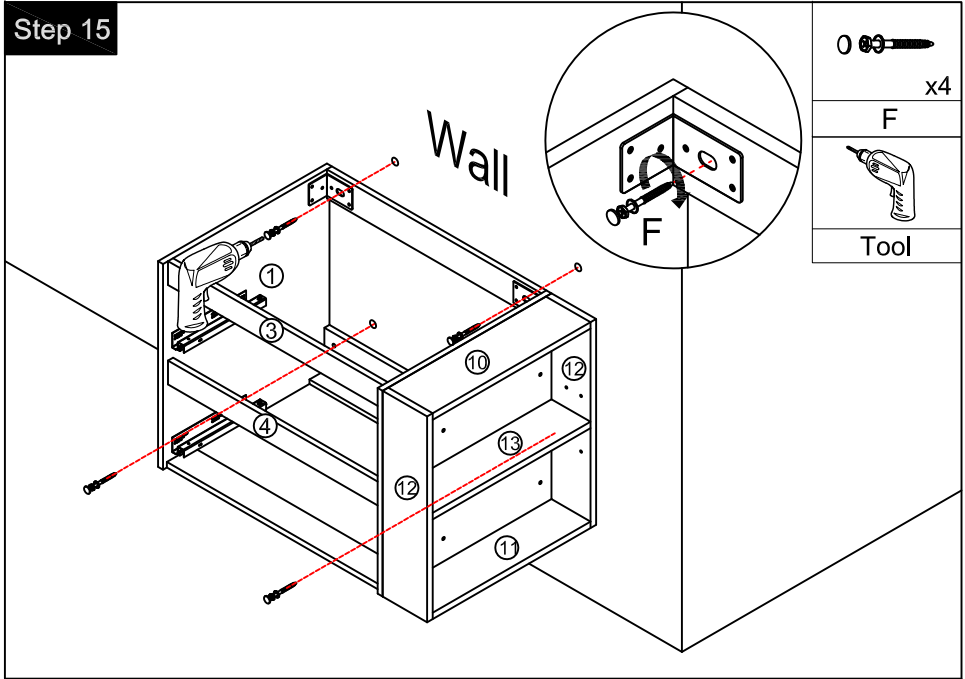
Step 13



Step 14



### Step 15



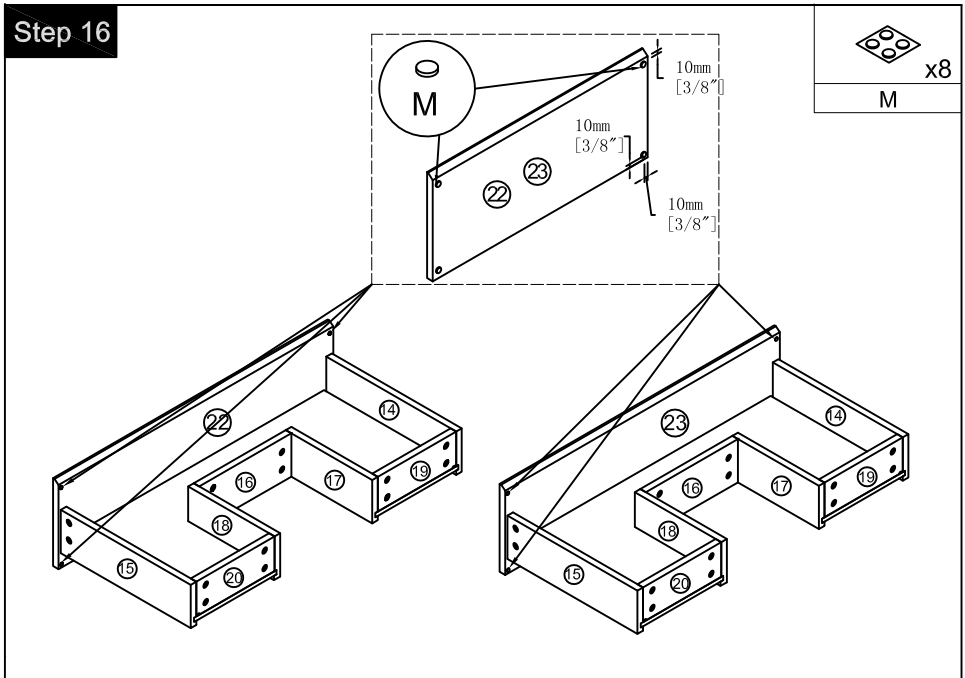
x4

F



Tool

### Step 16



x8

M

# Step 17

( $\varnothing 4 \times 14\text{mm}$ )



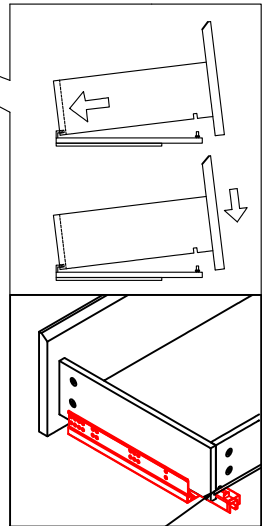
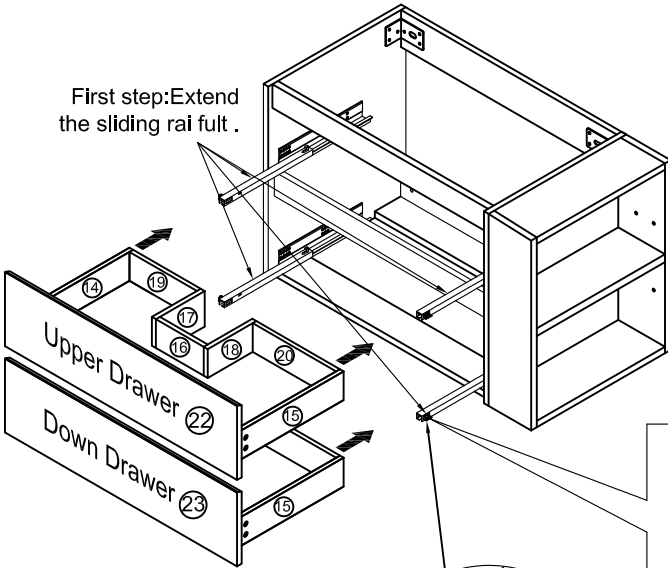
x8

A

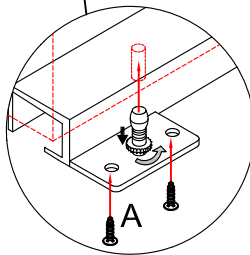


Tool

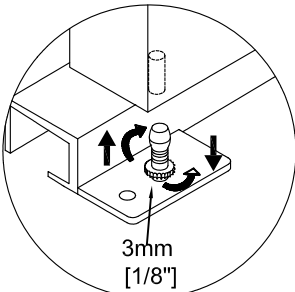
First step: Extend the sliding rail full.



Second step: Tuck the rear holes.



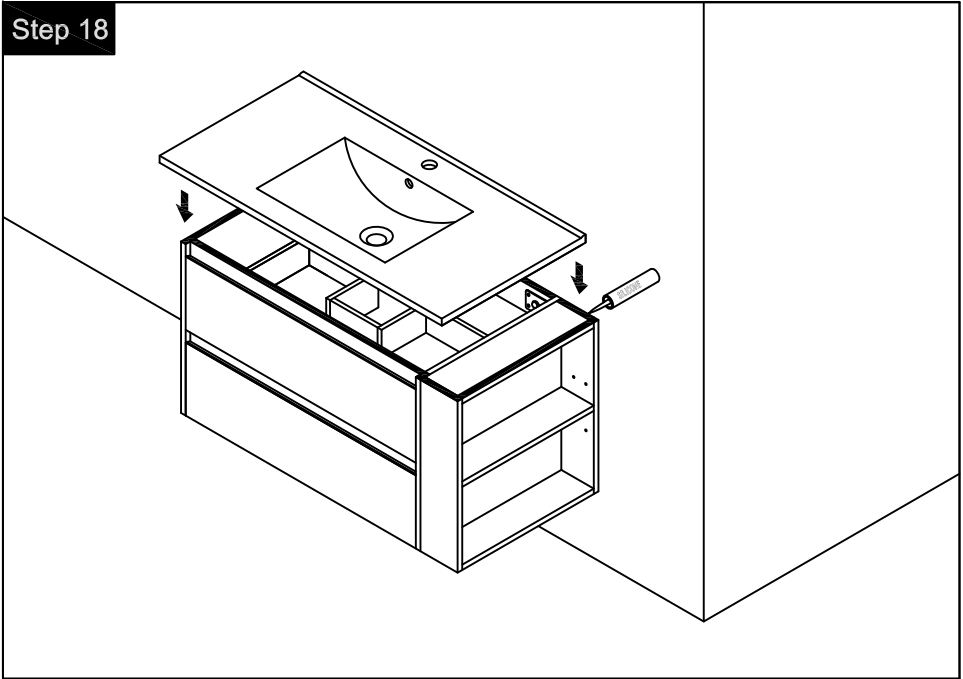
Third step: The bottom of the rail is fixed with screw A.



3mm  
[1/8"]

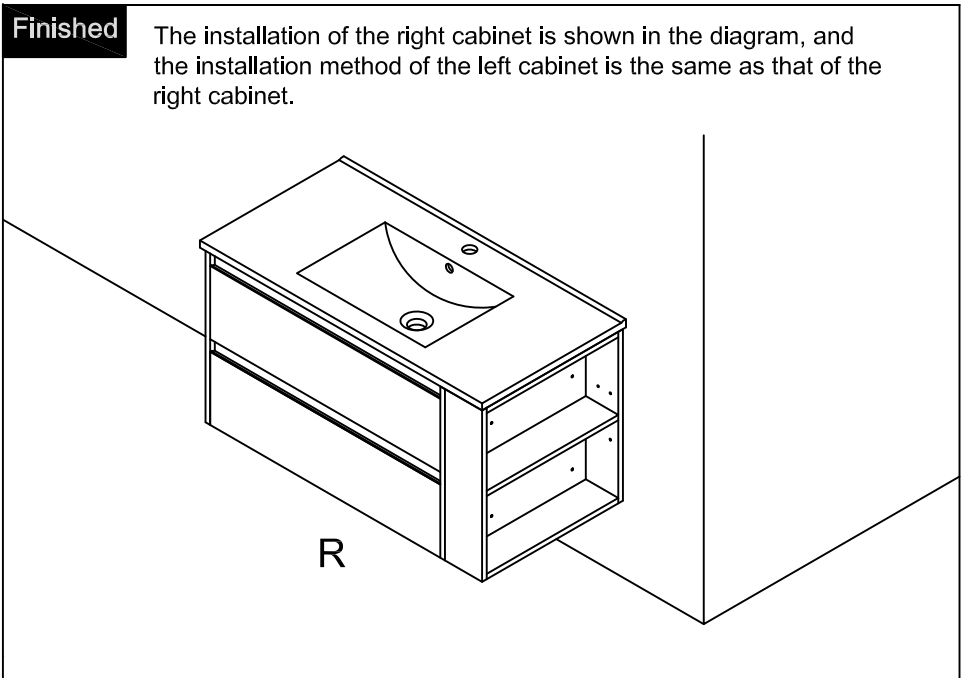
Note: The rails adjust their height 3mm.

**Step 18**

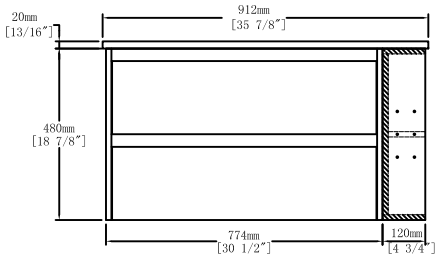


**Finished**

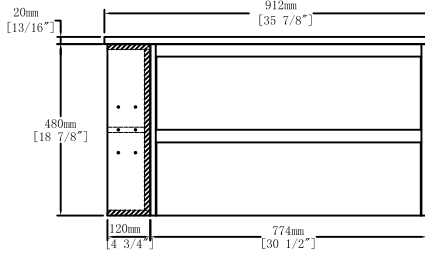
The installation of the right cabinet is shown in the diagram, and the installation method of the left cabinet is the same as that of the right cabinet.



## Dimensions

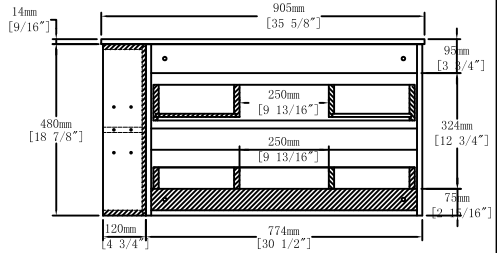


R



L

Front View



Back View

## CARE CLEANING AND MAINTENANCE

1. Dust regularly with a soft , dry cloth.
2. Avoid the use of all chemicals household cleaners, abrasives, or cleaners that contain lemon, vinegar, or other acids that may damage the finish.
3. Excessive exposure to sunlight and extreme changes in temperature and moisture can damage wood furniture.
4. The sink top is resilient, but care needs to be taken to preserve its appearance.
5. Do not place hot appliances, such as curling irons and hot hair dryers directly on the countertop. Wipe spills immediately.