

Croma
SAM Set Plus 160, 2.0 GPM
 Finishes : **brushed nickel** Part no. : **04526820**



Description

Features

- Flow: 2.0 GPM (7.6 L/Min)
- Exposed installation
- The adjustable handshower holder on this model should not be used with a handshower with a spray face larger than 125 mm (5") in diameter
- Locking push-button diverts flow to handshower

Item details

List Price \$ 882.00

Technology



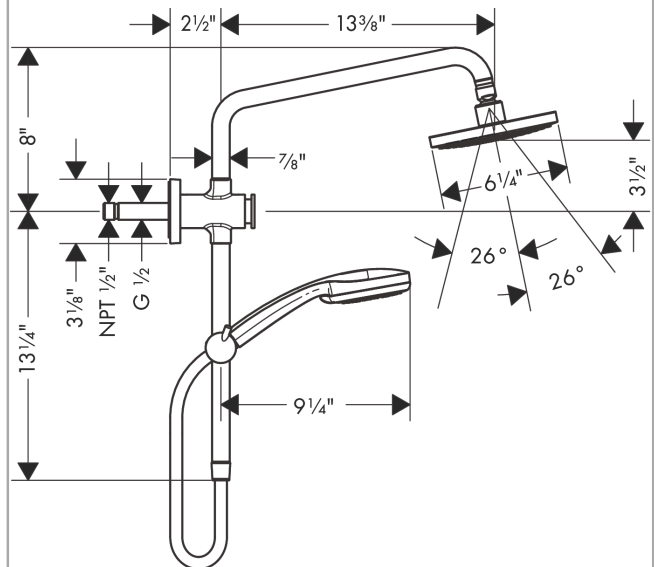
Compliance



Product image



Scale drawing

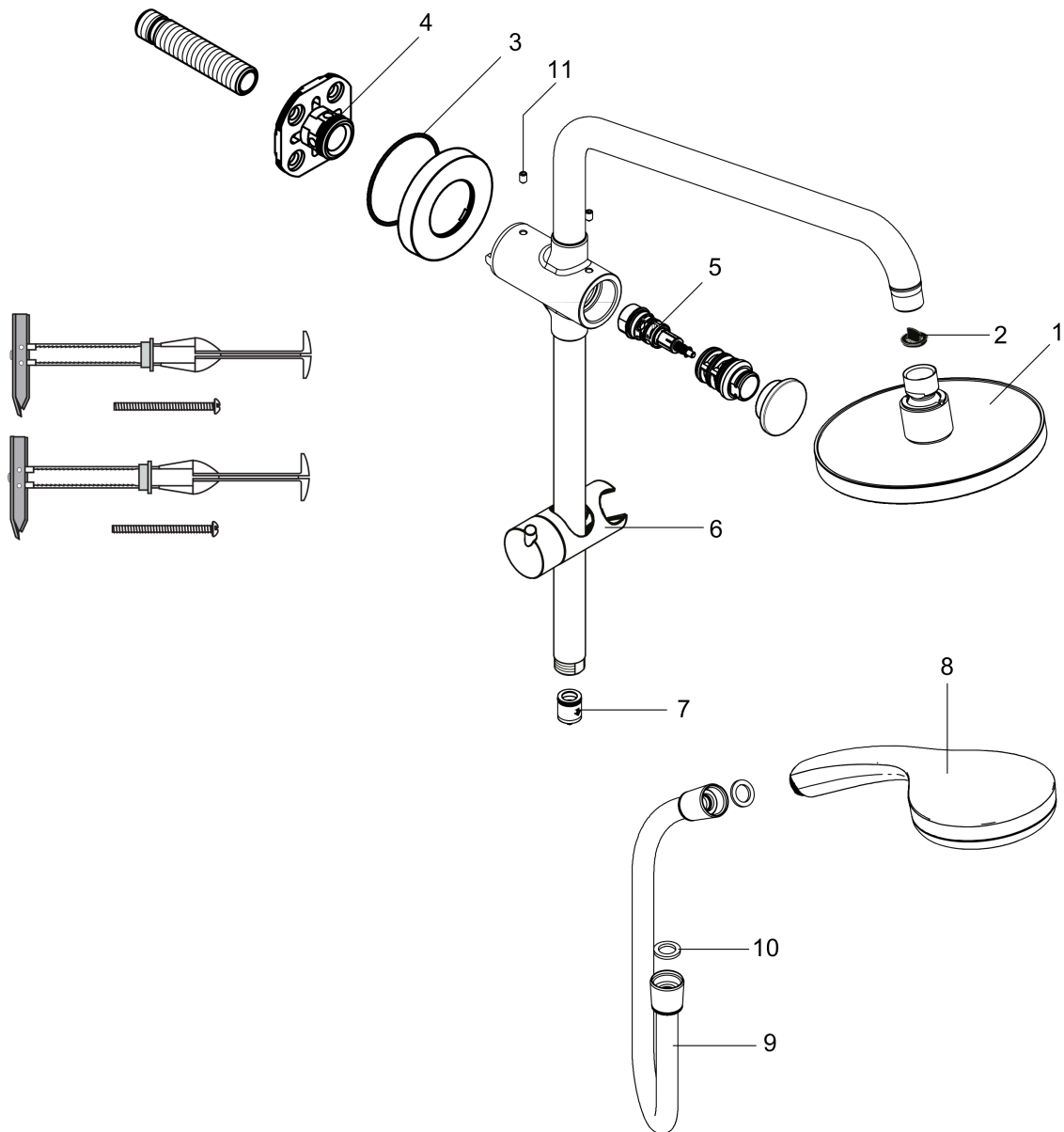


Croma
SAM Set Plus 160, 2.0 GPM
 Finishes : **brushed nickel** Part no. : **04526820**



Exploded drawing

Year of production: >07/14



Croma

SAM Set Plus 160, 2.0 GPM

Finishes : **brushed nickel** Part no. : **04526820**



Spare parts list

Year of production: >07/14

| Pos. | Description | Part no. | Price | PU |
|------|--------------------------------|----------|-------|----|
| 1 | showerhead cpl. | 28450821 | - | 1 |
| 2 | filter packing | 88649000 | - | 1 |
| 3 | O-ring 65x2 | 98472000 | - | 1 |
| 4 | O-ring 25x2,5 | 92146000 | - | 1 |
| 5 | selector (invers) | 95657000 | - | 1 |
| 6 | support, assy | 95160820 | - | 1 |
| 7 | set of non return valves DW 15 | 94074000 | - | 1 |
| 8 | handshower | 04083820 | - | 1 |
| 9 | shower hose 1,60 m | 28276823 | - | 1 |
| 10 | seal | 98058000 | - | 1 |