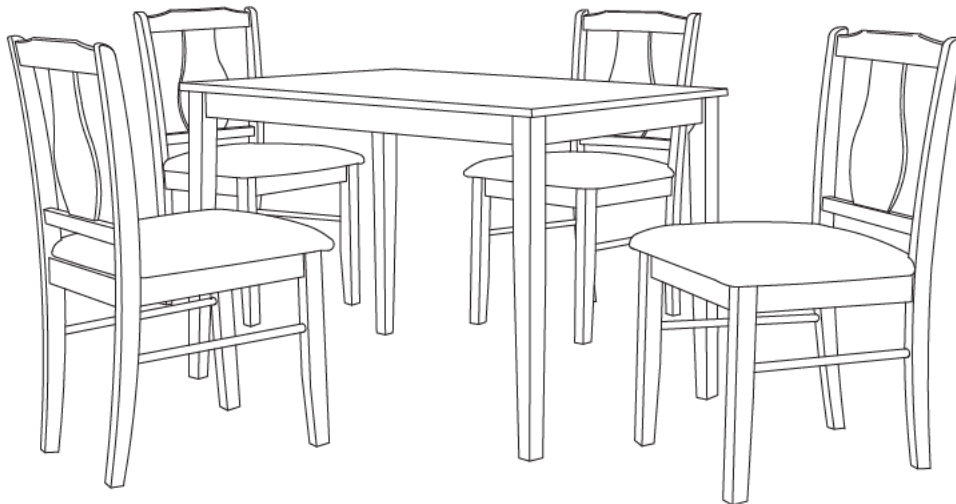


ASSEMBLY INSTRUCTIONS

SOLANA DINING SET

Hours of Operation
MON-FRI 8:00AM - 4:00PM (PT)

TOOLS REQUIRED



Screwdriver
(Not Included)

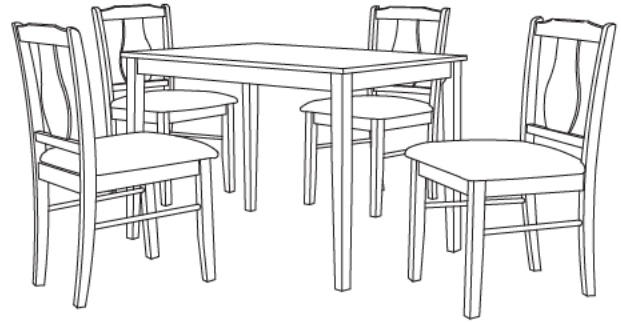


Allen Wrench
(Included)



Mallet
(Not Included)

Enjoy this product? We'd love your 5-star review!
If you have any issues, our support team is happy to help.



Thank you for your purchase!



CHECK BEFORE STARTING

Are you missing anything?

Please double check all hardware and parts match the assembly guide before putting the product together. If damaged, we suggest you put the item back in the box and start your claim or return.

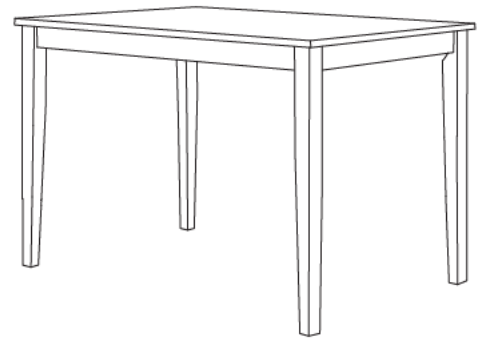
Should we send any replacements?

If there are any manufacturer defects or missing pieces, please contact us for replacements. If purchased online, please contact the website of where you purchase it from, DIRECTLY.

IMPORTANT INFO before assembly:

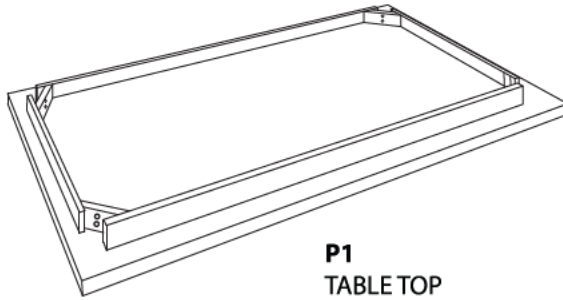
- If there's a problem with the parts do not attempt to assemble the product.
- Place all parts on a clean and smooth surface such as a rug / carpet to avoid parts from being scratched.
- When tightening screws to product do not overtighten until product is fully setup.
- If product is too heavy for a single person to carry do not attempt and ask for assistance.
- DO NOT DRAG or PUSH item to desired location. Must be carried when moving.
- If item is not working as intended, please review the assembly guide to see if any steps were missed or incorrectly built. If there's a problem with part, please contact seller for additional assistance.
- Please keep all hardware and small parts away from pets / infants.
- Please wear gloves or protective gear to protect from getting cuts.
- It is normal for new furniture to have an off gassing smell. Please air out furniture near a window for a few hours or a day before placing it in its desired location.
- All products may have a slight color and texture variation due to different shipments, natural materials, screen resolutions, or lighting in home. Images are rendered by different devices or websites.

- Please keep instructions for future reference.
- Check the quantity and irregularity of parts and hardware before you start.
- If assembly guide is misplaced, please visit our website for copy

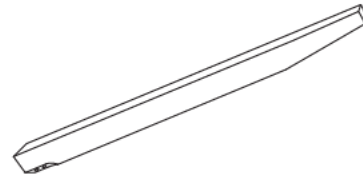


SOLANA TABLE

Part List



P1
TABLE TOP
1 pc



P2
TABLE LEG
4 pcs

Hardware List



H1
JCBC Bolt
M6 x 60mm
8 pcs



H2
Spring Washer
M6 x 12mm
8 pcs



H3
Flat Washer
M7x 19mm
8 pcs

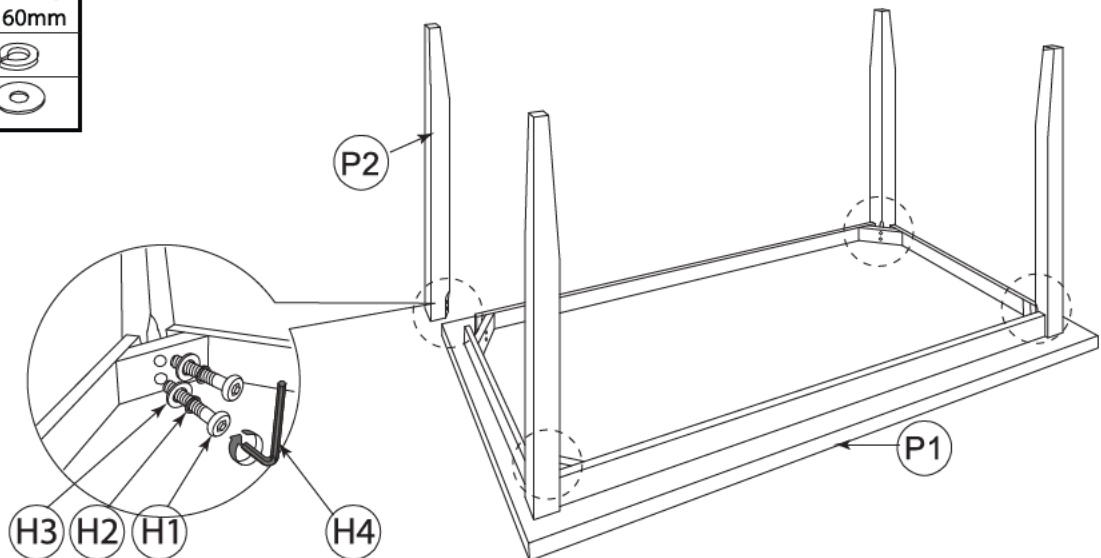


H4
Allen Wrench
1 pc

If any parts/hardware listed are damaged or missing,
Please contact the seller for additional assistance

ASSEMBLY STEPS

H1 x 8	
M6 x 60mm	
H2 x 8	
H3 x 8	

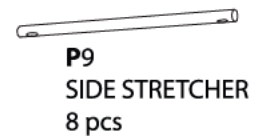
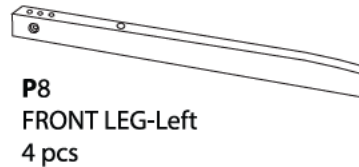
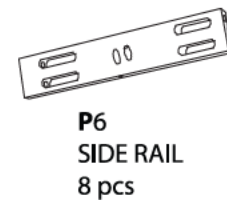
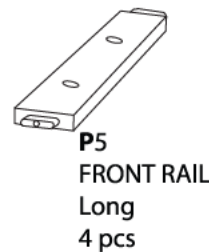
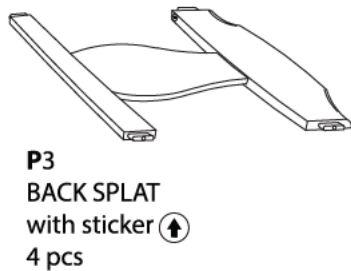
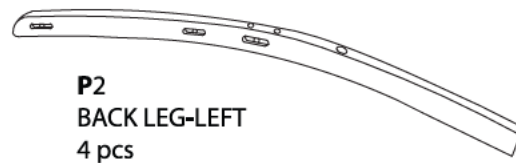
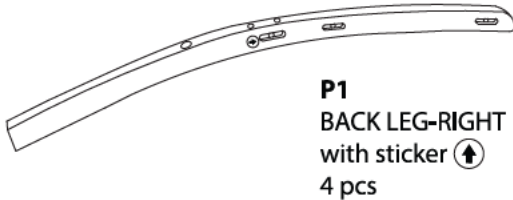


- Please keep instructions for future reference.
- Check the quantity and irregularity of parts and hardware before you start.
- If assembly guide is misplaced, please visit our website for copy



SOLANA CHAIR

Part List



Hardware List



H1
JCBC Wood Screw
M7 x 50mm
32 pcs



H2
JCBC Bolt
M6 x 50mm
32 pcs



H3
Spring Washer
M6 x 12mm
32 pcs



H4
Screw
M4 x 35mm
32 pcs



H5
Allen Wrench
1 pc



H6
Nylon Glide
16 pcs




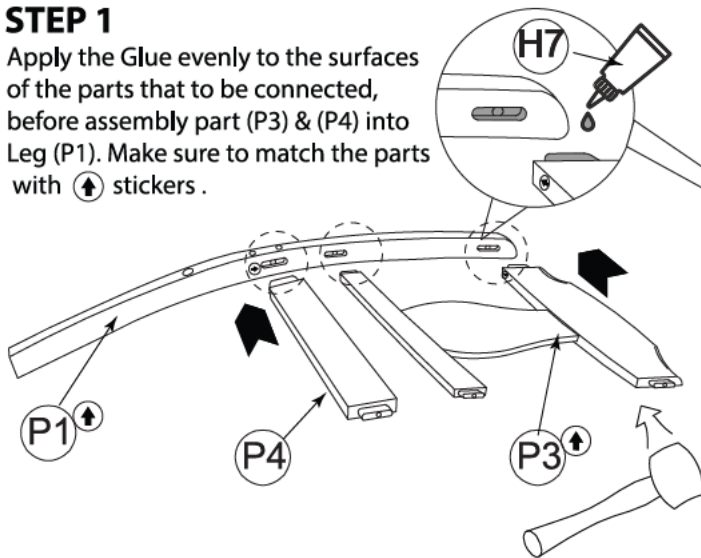
H7
Tube of glue
4 pcs

If any parts/hardware listed are damaged or missing,
Please contact the seller for additional assistance

ASSEMBLY STEPS

STEP 1

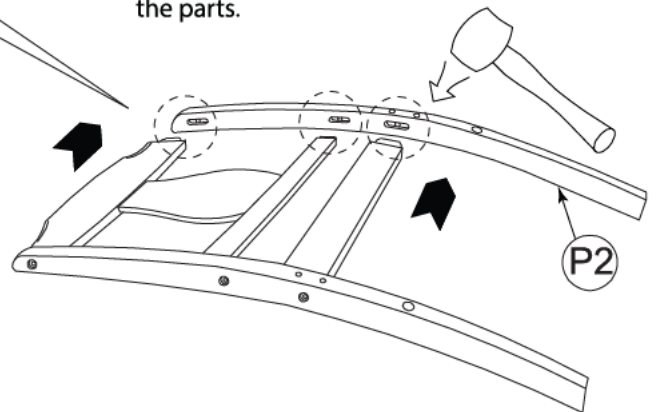
Apply the Glue evenly to the surfaces of the parts that to be connected, before assembly part (P3) & (P4) into Leg (P1). Make sure to match the parts with  stickers.




Use a rubber mallet to snug the assembly of the parts.

STEP 2 Apply the Glue evenly to the surfaces of the parts that to be connected, before assembly the backleg frame.

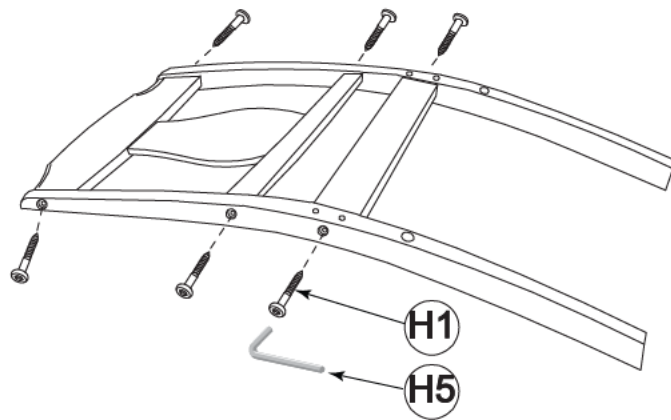
Use a rubber mallet to snug the assembly of the parts.



STEP 3

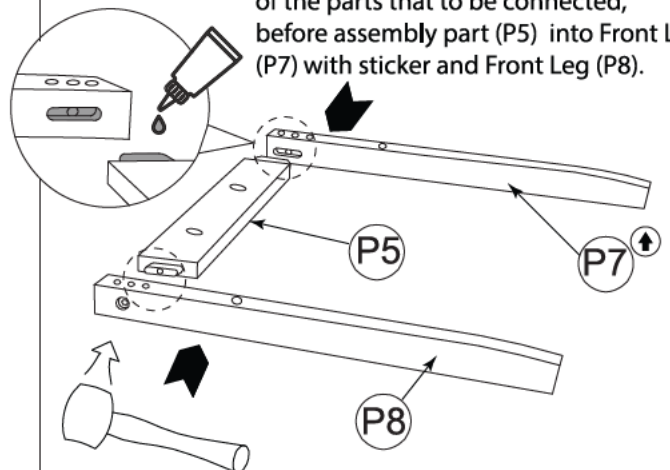
H1 x 6 
M7 x 50mm

Align Screws (H1) through the holes in the Legs to tighten the back leg assembly by using Allen Key (H5).




STEP 4

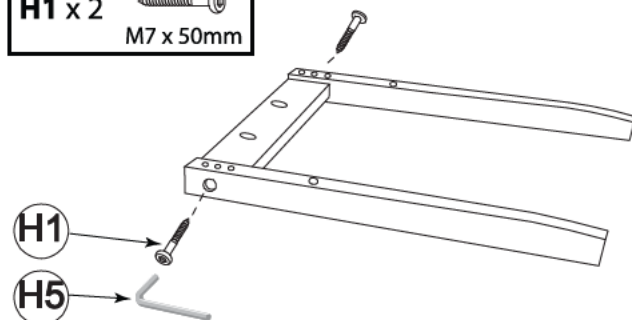
Apply the Glue evenly to the surfaces of the parts that to be connected, before assembly part (P5) into Front Leg (P7) with sticker and Front Leg (P8).



Use a rubber mallet to snug the assembly of the parts.



STEP 5

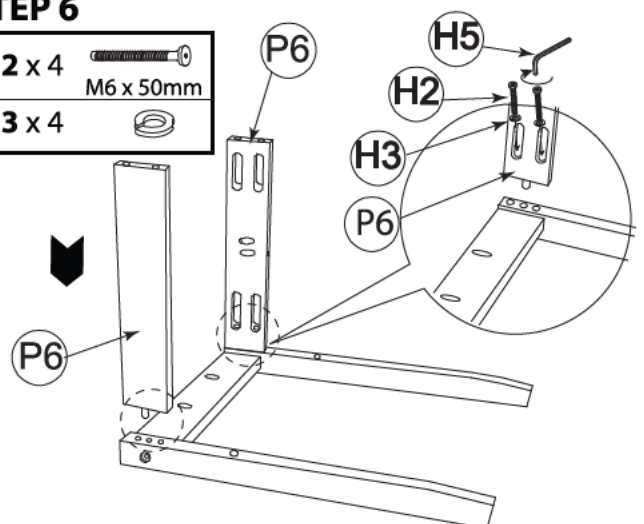
H1 x 2 
M7 x 50mm



Align Screws (H1) through the holes in the Legs to tighten the front leg assembly by using Allen Key (H5).

STEP 6

H2 x 4 
M6 x 50mm
H3 x 4 



IMPORTANT!

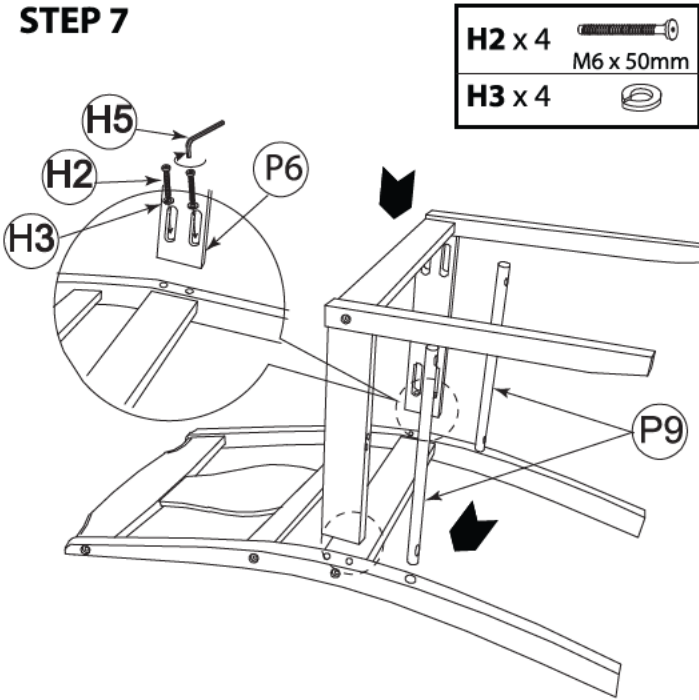
Please keep Allen wrench in a safe place as you may need to tighten up the Bolts in future.

Use a soft cloth between these parts and the floor.

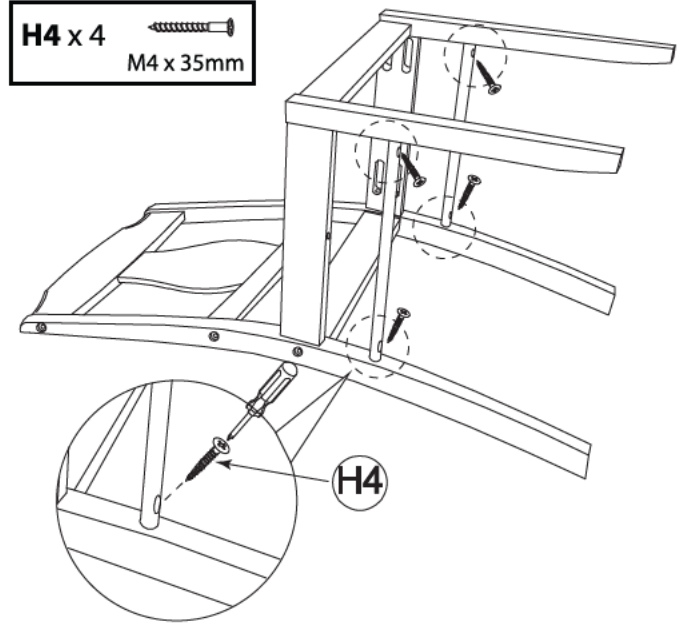
After assembly, item must be level to work properly.

ASSEMBLY STEPS

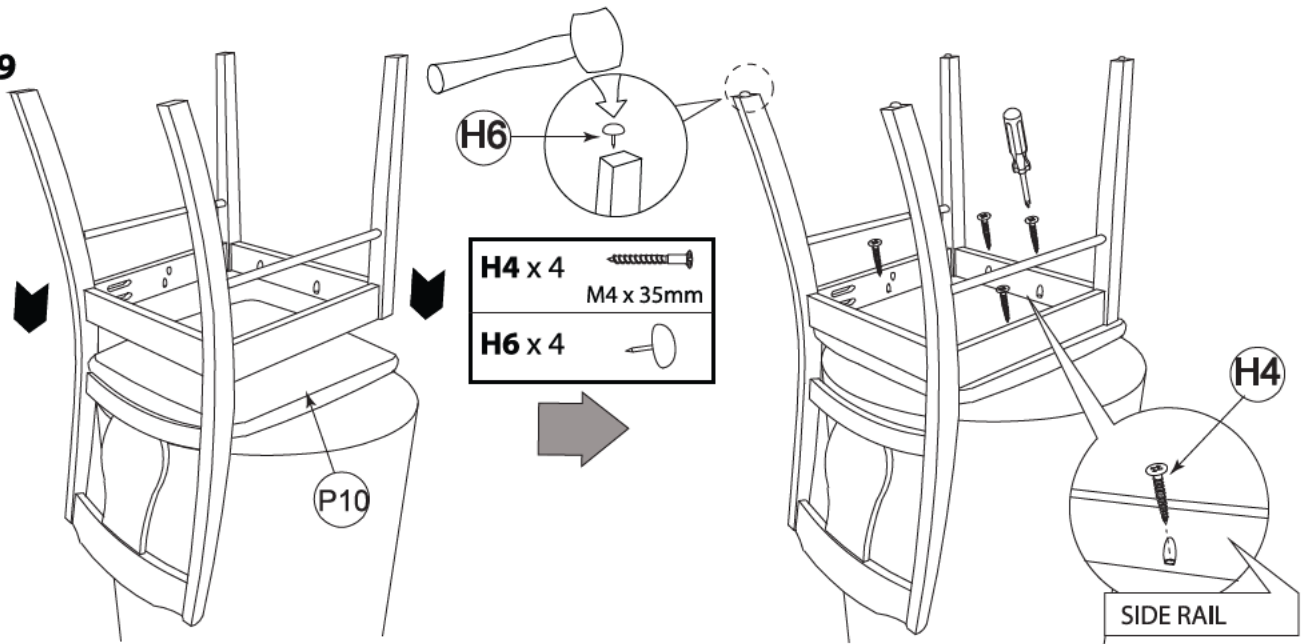
STEP 7



STEP 8



STEP 9



Install the seat frame onto the underside of the Cushion Seat (P10) in proper. Align Screw (H4) through the seat aprons and tighten it by using a household screwdriver .

ASSEMBLY COMPLETED

- ✓ Please ensure the furniture rests on an even and flat surface. If the product wobbles or feels loose, double-check all bolts and/or screws are properly tightened and secured.
- ✓ **Keep this handy!** Please retain this instruction manual and any order-related information for future reference.
- ✓ **Lift, don't drag!** To avoid damage to product, please always **LIFT** the product when transporting or adjusting the placement.