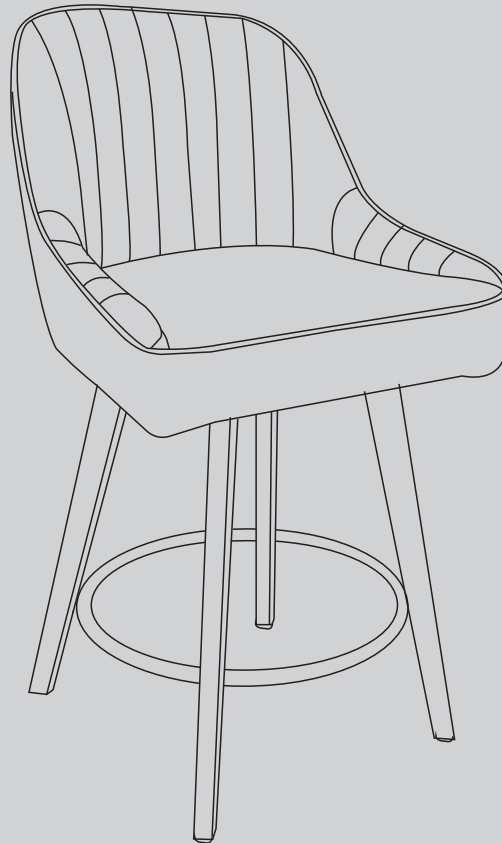


Bar Stool

SKU:BS001



Furniouse 



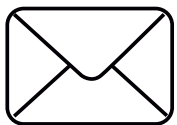
www.furniouse.com

Helpful Hints

1. Different lighting conditions and different display devices may cause color differences. We hope you understand.

Customer Service

Returning and shipping large furniture items can be difficult, so we kindly request that you contact us if you have any questions. We will provide professional customer service solutions.

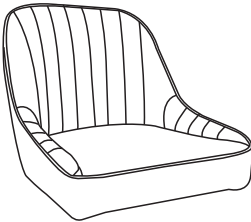
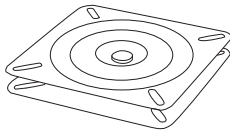
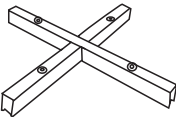

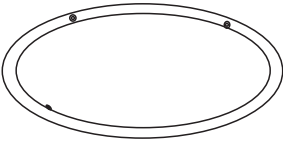


furniouse@163.com

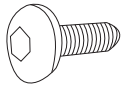
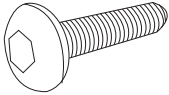
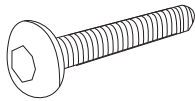
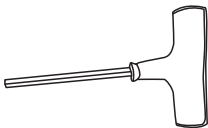
PART LIST & HARDWARE

1

Parts List

<p>① x1pc Seat</p> 	<p>② x1pc Swivel Plate</p> 	<p>③ x1pc Iron Frame</p> 	<p>④ x4pcs Legs</p> 
<p>⑤ x 1pc Footrest</p> 			

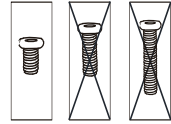
Hardware List


<p>Ax12+1pcs Bolts</p>  <p>M6*18mm</p>	<p>Bx4+1pcs Bolts</p>  <p>M6*25mm</p>	<p>Cx4+1pcs Bolts</p>  <p>M6*30mm</p>	<p>Dx1 Allen Wrench</p>  <p>M6</p>
---	--	---	---

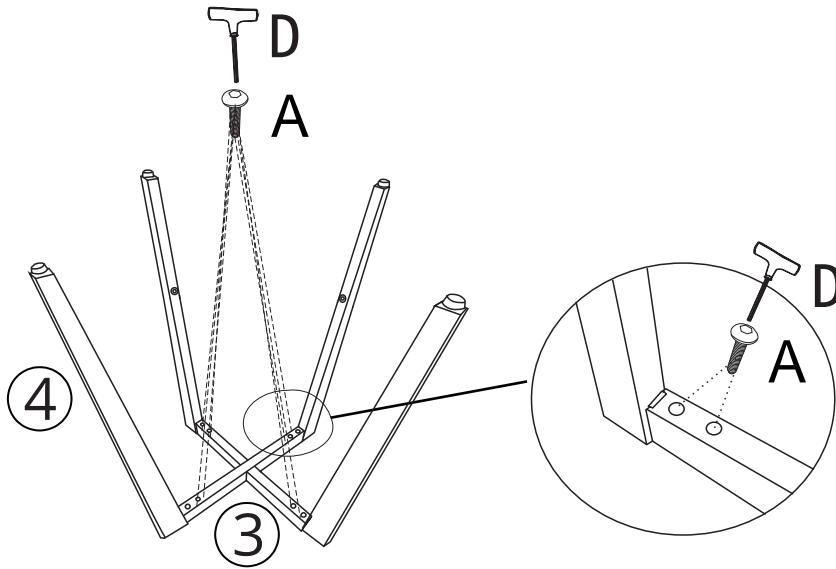
Assembly Instructions

1

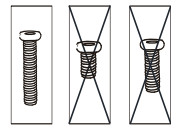
Step1 : Remark: Tighten the bolts A to around 80% in the step.




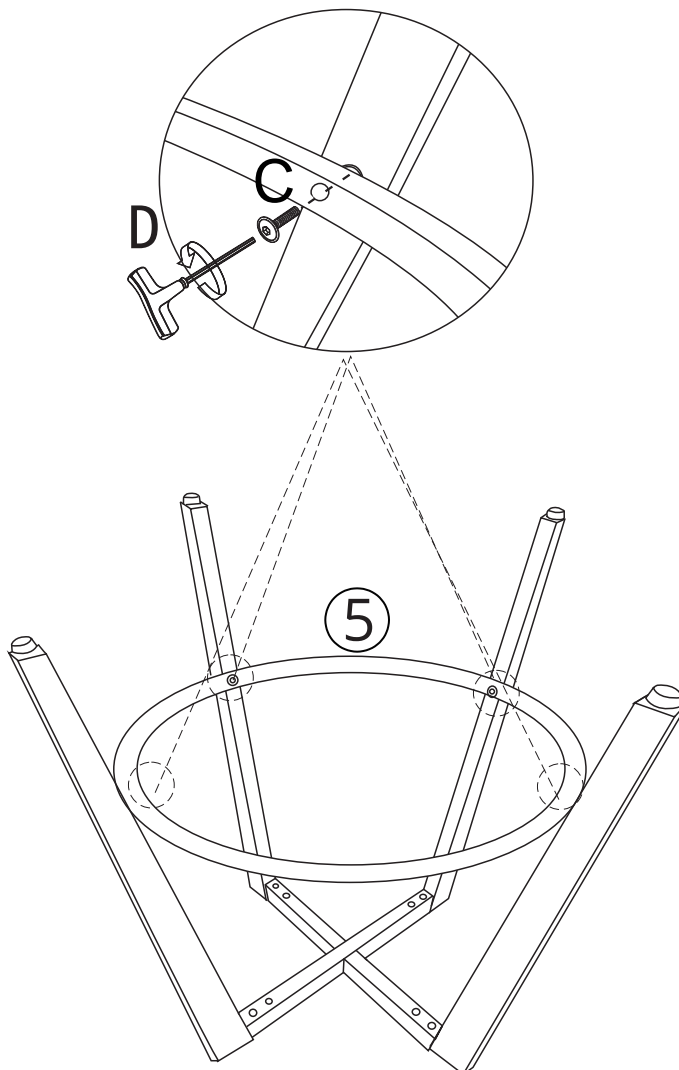
A x 8 



Step2



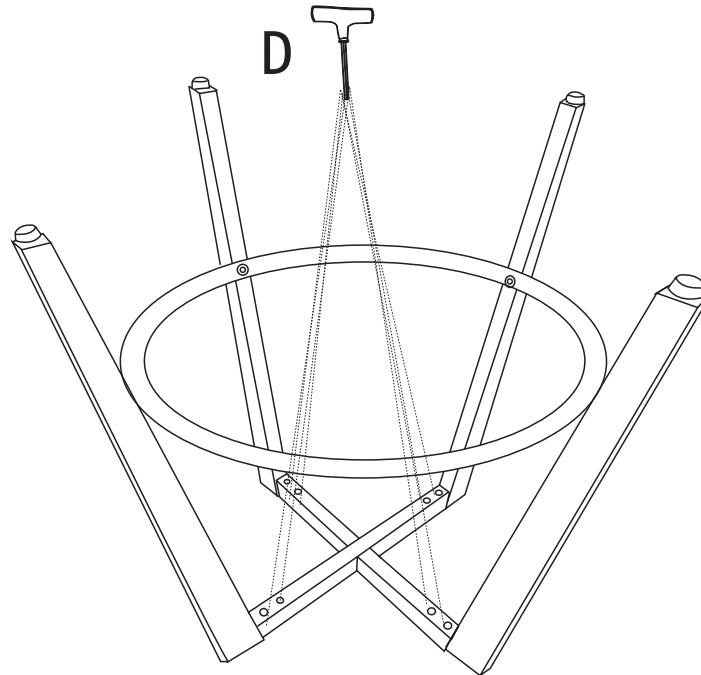
C x 4 



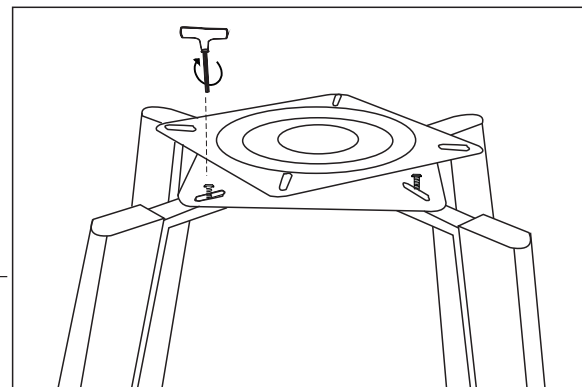
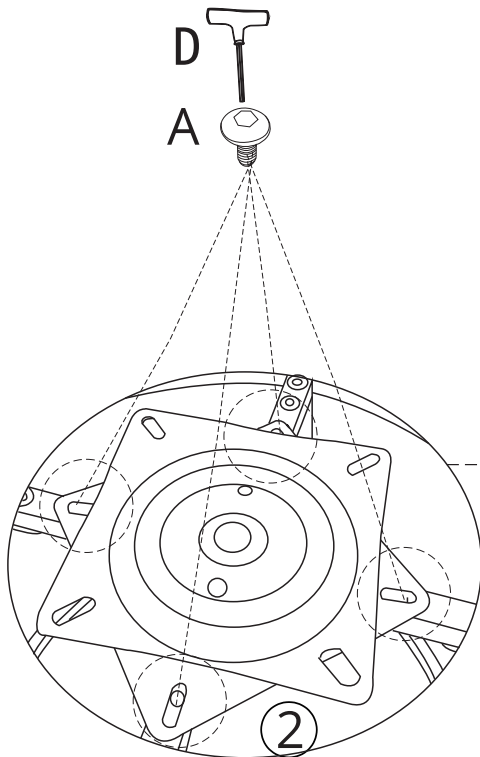
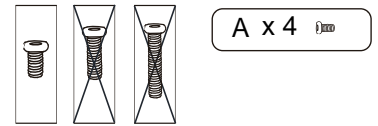
Assembly Instructions

1

Step3 : Remark: Tighten the bolts C on the legs and frames from 80% to 100%.



Step4

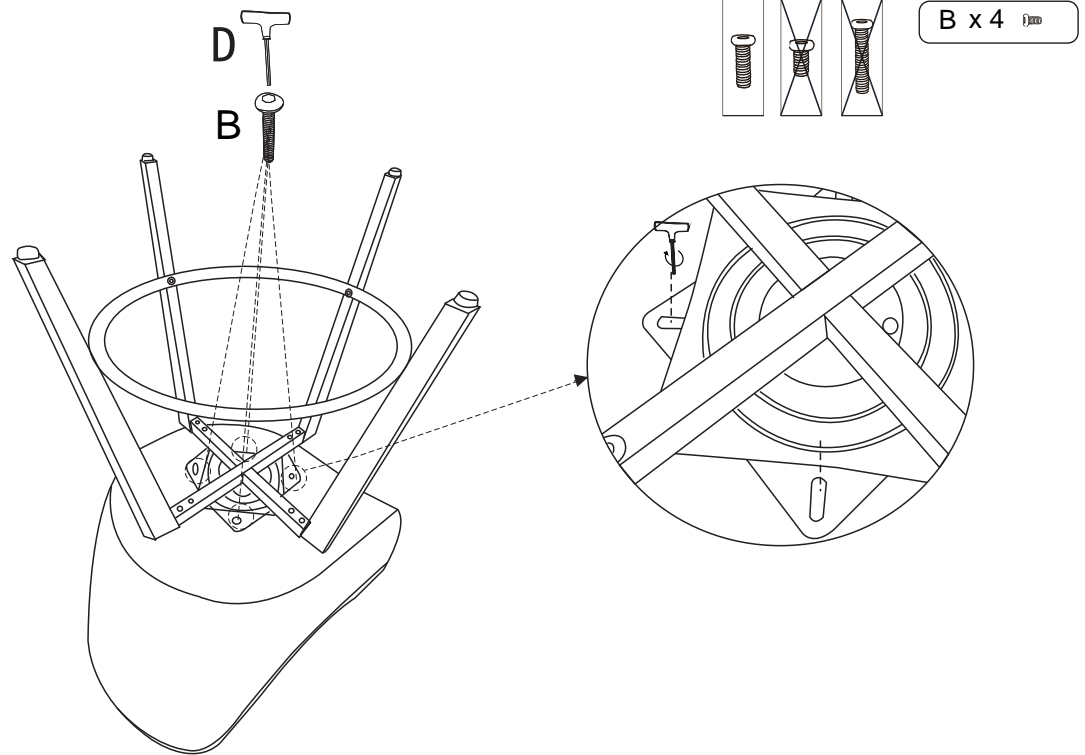


Rotate the Swivel plate until the the 8 holes are fully exposed for easier installation.

Assembly Instructions

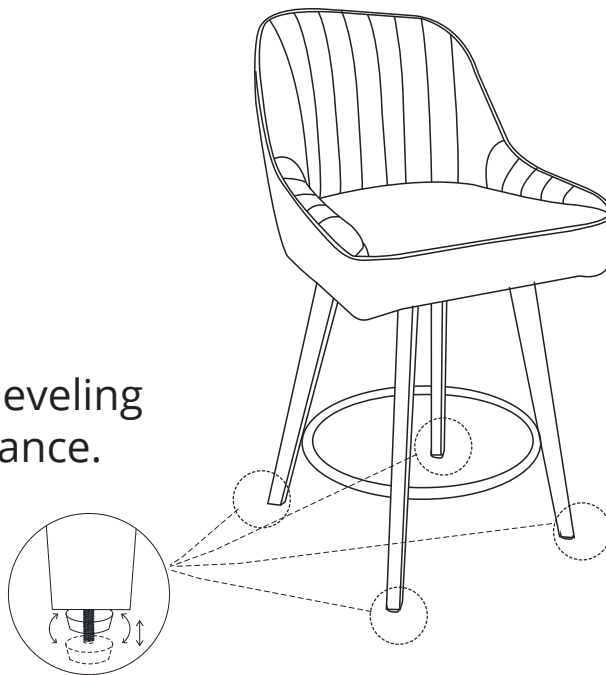
1

Step 5



Step 6: Please ensure that any screws which were not fully tightened in the previous steps are properly secured.

Adjust the leveling feet for balance.





www.furniouse.com