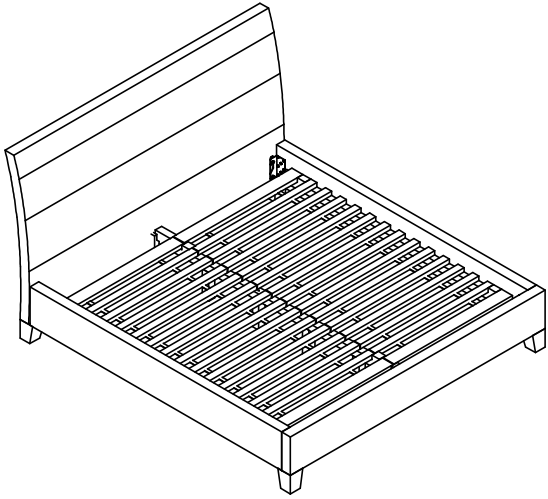



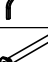
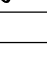

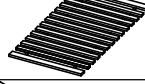
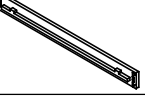

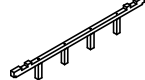


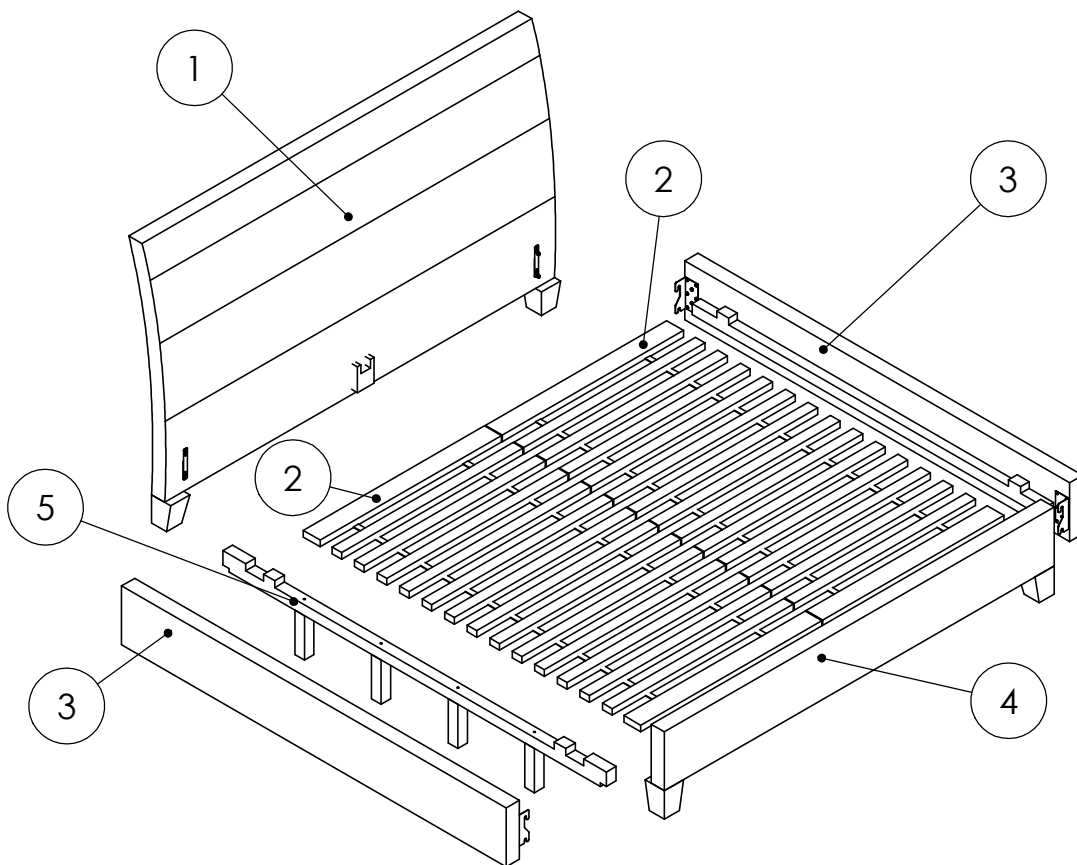
# ASSEMBLY INSTRUCTION FOR

## Bed - Queen



HARDWARE LIST				
A		Allen Key	L6	1
B		Bolt	L6 m8 x 25 mm	8
C		Flat Washer	Ø8 mm	12
D		Allen Key	L4	1
E		JCBC Bolt	L4 m6 x 70 mm	4

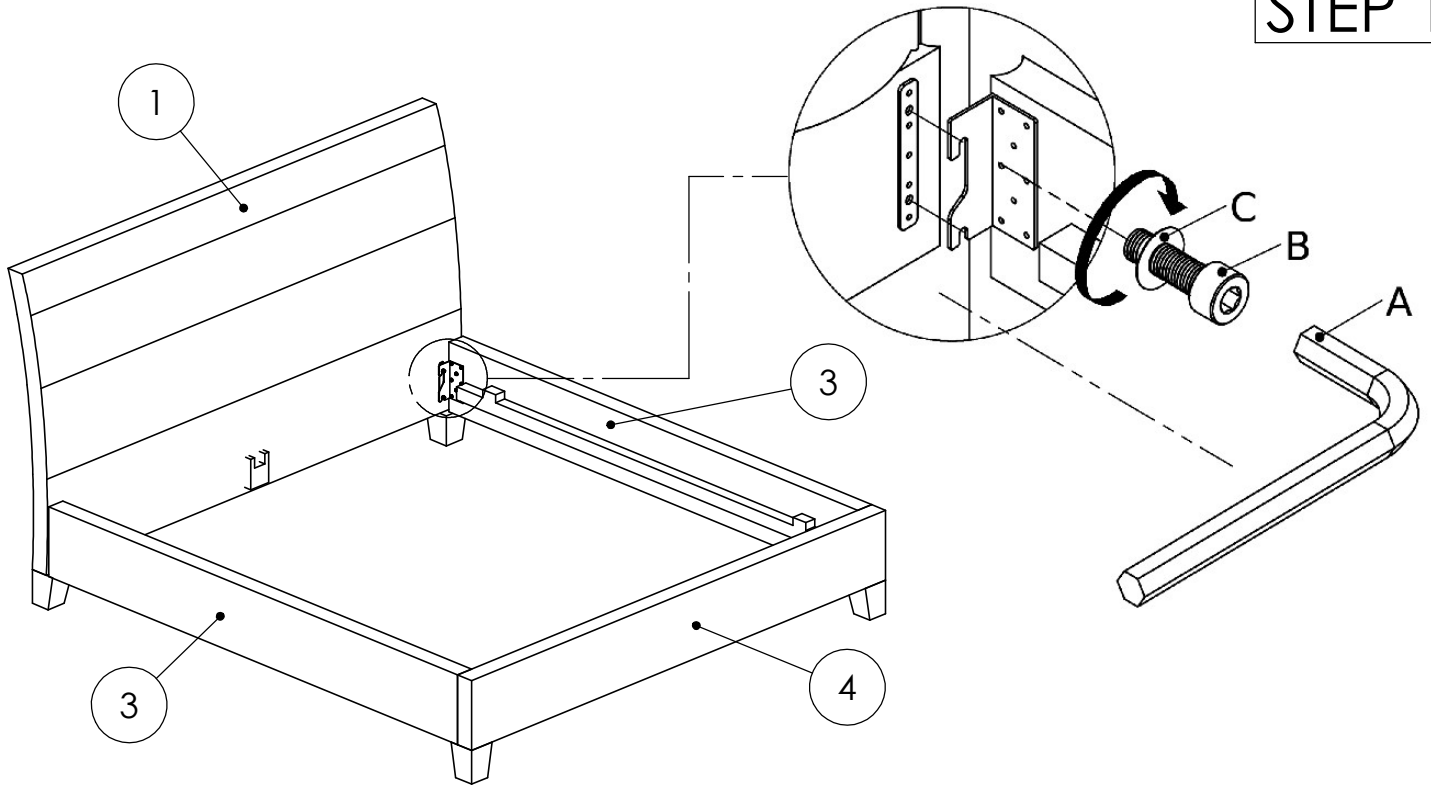
COMPONENT LIST			
1		HEADBOARD	1 PCS
2		SLATS	2 ROLL
3		SIDE RAIL	2 PCS
4		FOOTBOARD	1 PCS
5		CENTER RAIL	1 PCS



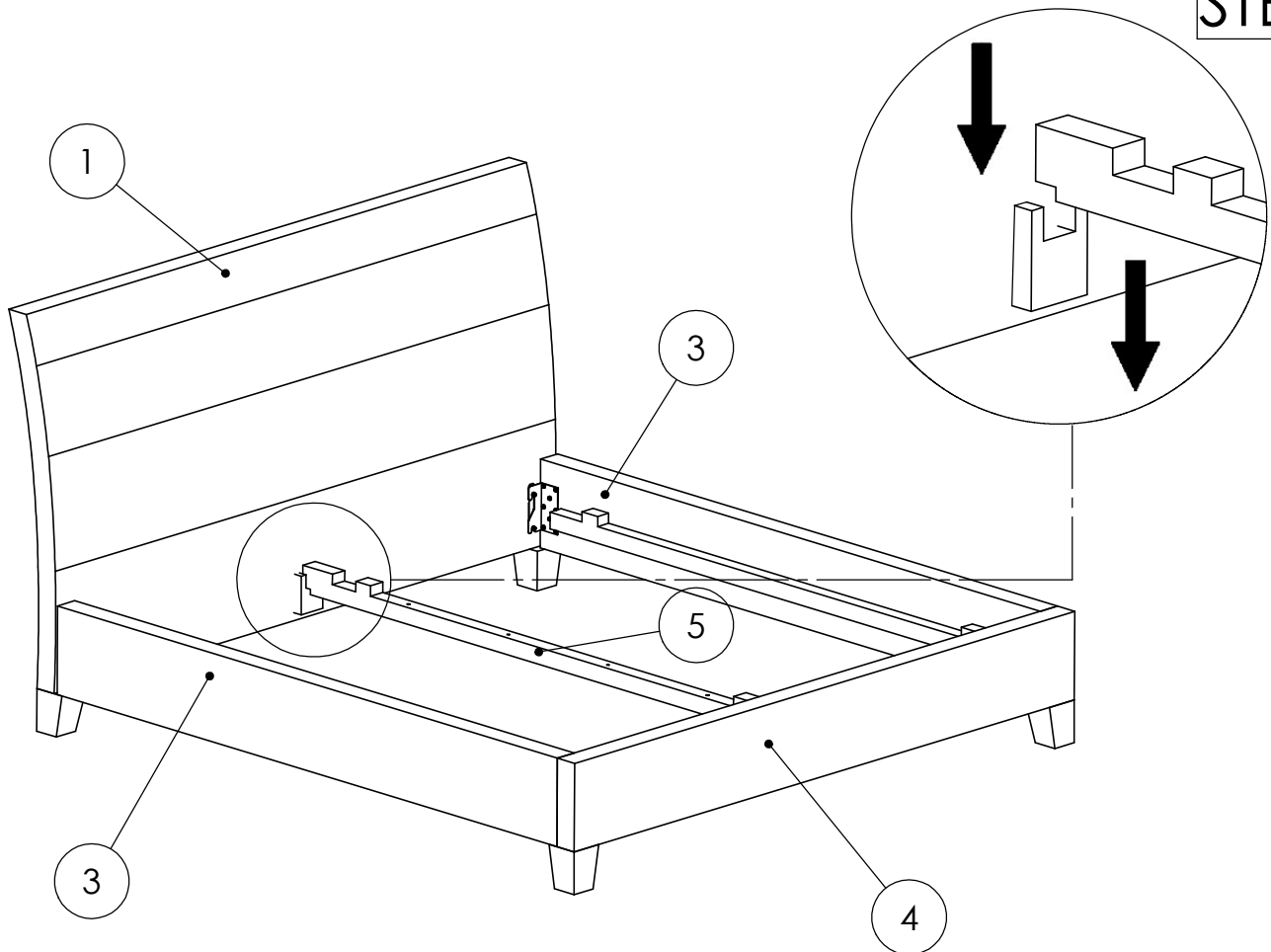
# ASSEMBLY INSTRUCTION FOR

## Bed - Queen

STEP 1

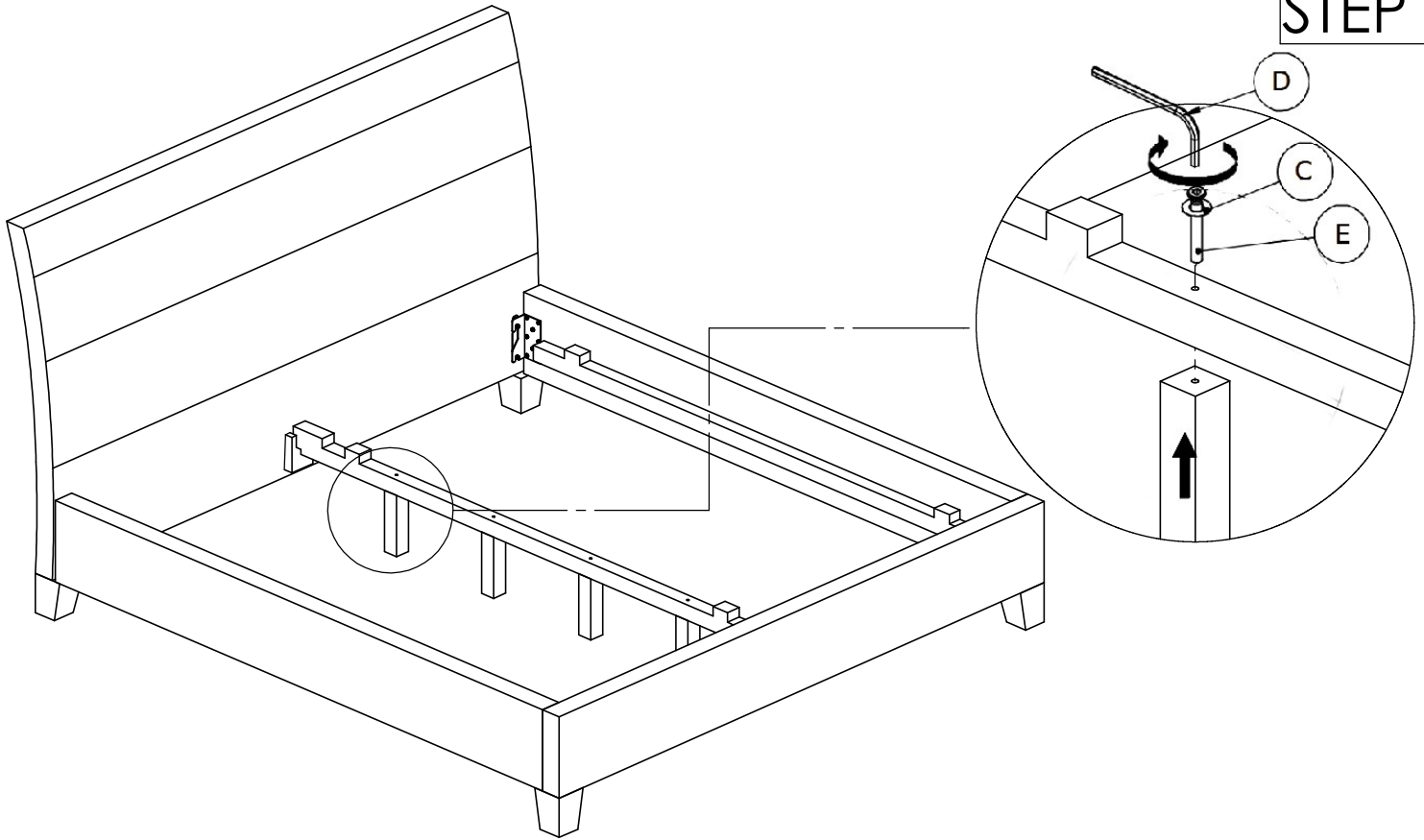


STEP 2



# ASSEMBLY INSTRUCTION FOR Bed - Queen

STEP 3



STEP 4

