

7067-2BK  
OPERATIONS MANUAL

4MODERN  
4HOME



## Where to Place Your Outdoor Wall Lights

If you have one light next to your entryway or garage door, then it should be 1/3 of the height of the door. If you will be placing one light on each side of the door, then the lights should be 1/4 of the height of the door. To do this, measure from the floor to the top of your door, then divide by 4 for two lights or 3 for one light. For example, if your door is 80" tall, divide by 4, and buy two lights that are each 20" tall. The lights should also be placed 66" from the floor or ground to properly illuminate the lock and handle. Lights should also be placed 6" from the edge of the door. If you choose to have only one light, make sure it is placed on the side of the door closest to the door handle.

### 1. What should I do if the glass lampshade I received is cracked or broken?

We understand that receiving a damaged product can be disappointing. If you find that your glass lampshade is cracked, broken, or otherwise not in perfect condition, please contact us immediately. Our customer service team is dedicated to providing you with the best possible solution and ensuring your satisfaction.

# Assembly & Installation Instructions

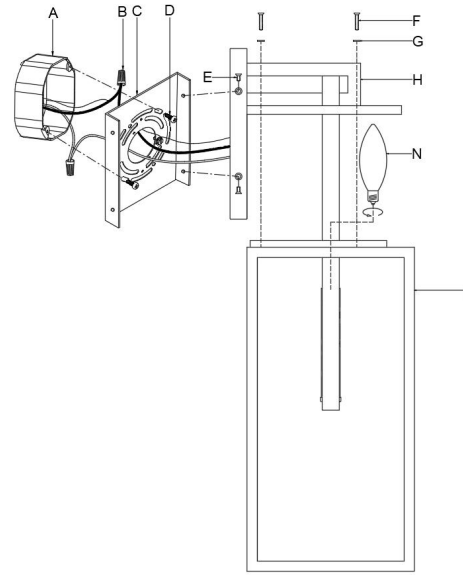
Dear Customer :

Thank you for choosing 4modernhome!

We appreciate your business. Should you have **any questions** or encounter **any issues**, please don't hesitate to contact us. You can reach us via email at **support@4modernhome.com** or by **calling 469-312-6428**. Our team is dedicated to ensuring your complete **satisfaction** with your purchase. We value your feedback, as it helps future customers in making informed decisions. We encourage you to share your experience by leaving a brief product review on the platform where you made the purchase. Once again, thank you for choosing 4modernhome!

Best regards!

**[4Modern home/Support Team]**



Applicable bulb type: B10、  
B11、C35、C7、C9 ...

Drawin g 1

After securing fixture to the wall it is recommended that the gap between the wall and the fixture backplate be sealed on the top and both sides, with a good quality waterproof caulk or silicone sealant (NOT INCLUDED)-see Drawing 1.



## WIRE CONNECTION DIAGRAM

Wires meeting safety standards are required to connect the electrical circuit.

**CAUTION:** Risk of fire



Please read all instructions carefully. Before you proceed to install, make sure that the power supply is turned off and remains off until installation is completed.

## PARTS INCLUDED

| Code | Part Description | QTY |
|------|------------------|-----|
| A    | Junction box     | 0   |
| B    | Wire caps        | 3   |
| C    | Mounting bracket | 1   |
| D    | Mounting screws1 | 2   |
| E    | Mounting screws2 | 4   |
| F    | Mounting screws3 | 4   |
| G    | rubber ring      | 4   |
| H    | Lamp door1       | 1   |
| I    | Lamp door2       | 1   |
| N    | Light bulb       | 0   |
|      |                  |     |
|      |                  |     |
|      |                  |     |
|      |                  |     |

**Warning:** If any special control devices are used with this fixture, follow the instructions carefully to assure full compliance with N.E.C.requirements. If there are any questions, contact a qualified electric contractor.

**Warning:** California Residents Proposition 65 This product contains lead, a chemical known to the state of California to cause cancer and birth defects or other reproductive harm. Do not place the product in your mouth. Wash your hands after handling this product.

**Caution:** It is highly recommended to get an electrician to install this light. Please make sure to turn the electricity off at the main circuit breaker before beginning installation. All glass is fragile. Use care when handling glass component(s) and/or lamp(s).

### 7067-2BK installation steps:

Step 1: Unscrew screw E from the lamp body and remove the hanging plate C;

Step 2: Unscrew screw F Remove the lamp stand I;

Step 3: Install the hanging plate C lock on the junction box A with screw D;

Step 4: use the terminal B to connect the lamp body black, white, ground line and the input line respectively;

Step 5: Lock the lamp body on the hanging plate C with screw E;

Step 6: transfer the bulb H knob to the lamp body lamp head;

Step 7: Install the lamp frame I lock on the lamp body with screw F;

Installation completed

