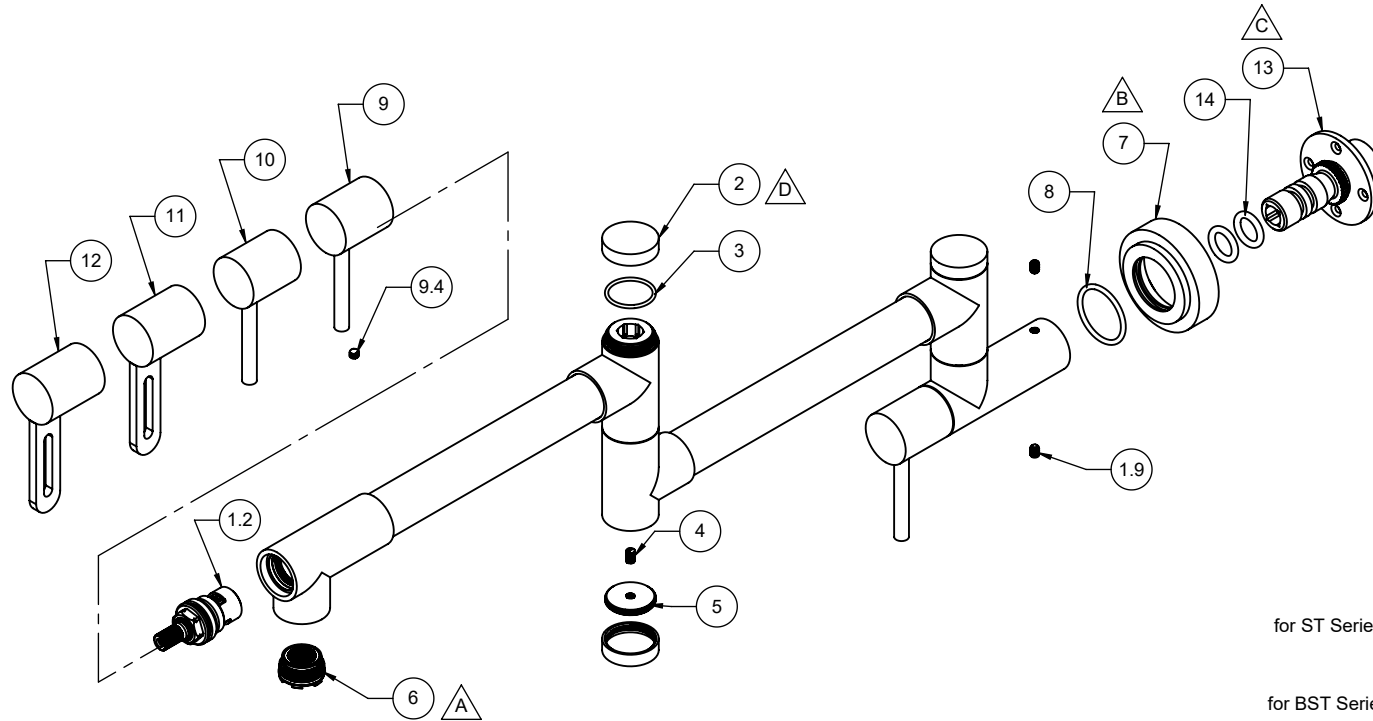


**K50-200-ST**  
**K50-200-BST**  
**K50-200-RB**  
**K50-200-BRB**

- △ REQUIRES ITEM 18
- △ REQUIRES ITEM 8
- △ REQUIRES ITEM 14
- △ REQUIRES ITEM 3



To order spare parts add and/or replace as stated below:

**SPD-** prefix added to part number(s)  
**-ZZ** replaced with finish code (see finish table)  
**-WW** replaced with **-90** (light finish) or **-96** (dark finish)  
 Ex: **SPD-7-100463-PC** or **SPD-86030-96**

for ST Series  
 for BST Series  
 for RB Series  
 for BRB Series  
 for ITEM 1.9, 4, & 9.4  
 for ITEM 6

ITEM	PART NO	DESCRIPTION	QTY.
1.2	880430-99	CART 1/2" 16-T W/FRICTION BRG M24X1 MALE THD - RTC "NL"	2
1.9	86070-90	SETSCREW 10-24 X 1/4 SCKT HD CUP PT SS	2
2	50749-ZZ	CAP, CONT POT FILLER SWIVEL	3
3	883315-99	O-RING 23.52 X 1.78 (-021) BUNA-N A70	2
4	881302-99	SETSCREW 10-24 X 5/16 SCKT HD SS	1
5	50748-98	ADAPTER, POT FILLER CAP	1
6	880438-81	INSERT, FULL FLOW, STD LAMINAR (CACHE)	1
7	50739-ZZ	COVER, CONT POT FILLER BASE	1
8	87147-80	O-RING Ø29.82 X 2.62 (-123) BUNA-N A70	1
9	5-100175-ZZ	ASM, CONT POTFILLER LEVER ST - K50 <i>(incl. 9.4)</i>	2
9.4	86047-90	SETSCREW 10-24 X 3/16 SCKT HD CONE PT SS <i>(incl. 9.4)</i>	1
10	5-100175B-ZZ	ASM, CONT POTFILLER LEVER BST - K50 <i>(incl. 9.4)</i>	2
11	5-100293-ZZ	ASM, CONT POTFILLER LEVER ST - K50 RB <i>(incl. 9.4)</i>	2
12	5-100293B-ZZ	ASM, CONT POTFILLER LEVER ST - K50 BRB <i>(incl. 9.4)</i>	2
13	50738-98	QC, POT FILLER MOUNTING	1
14	87236-80	O-RING Ø13.87 X 3.53 (-207) EPDM A70 (NSF61-12 & WRAS)	2
15	86072-90	SCREW M3.9 X 38MM PH FLT HD SS	4
16	880081-81	ANCHOR, WALL M6 X 33MM FISHLIKE	4
17	882043-99	KEY, ALLEN, 3/32", BLACK	1
18	223473-99	KEY, STD CACHE AERATOR INSERT	1