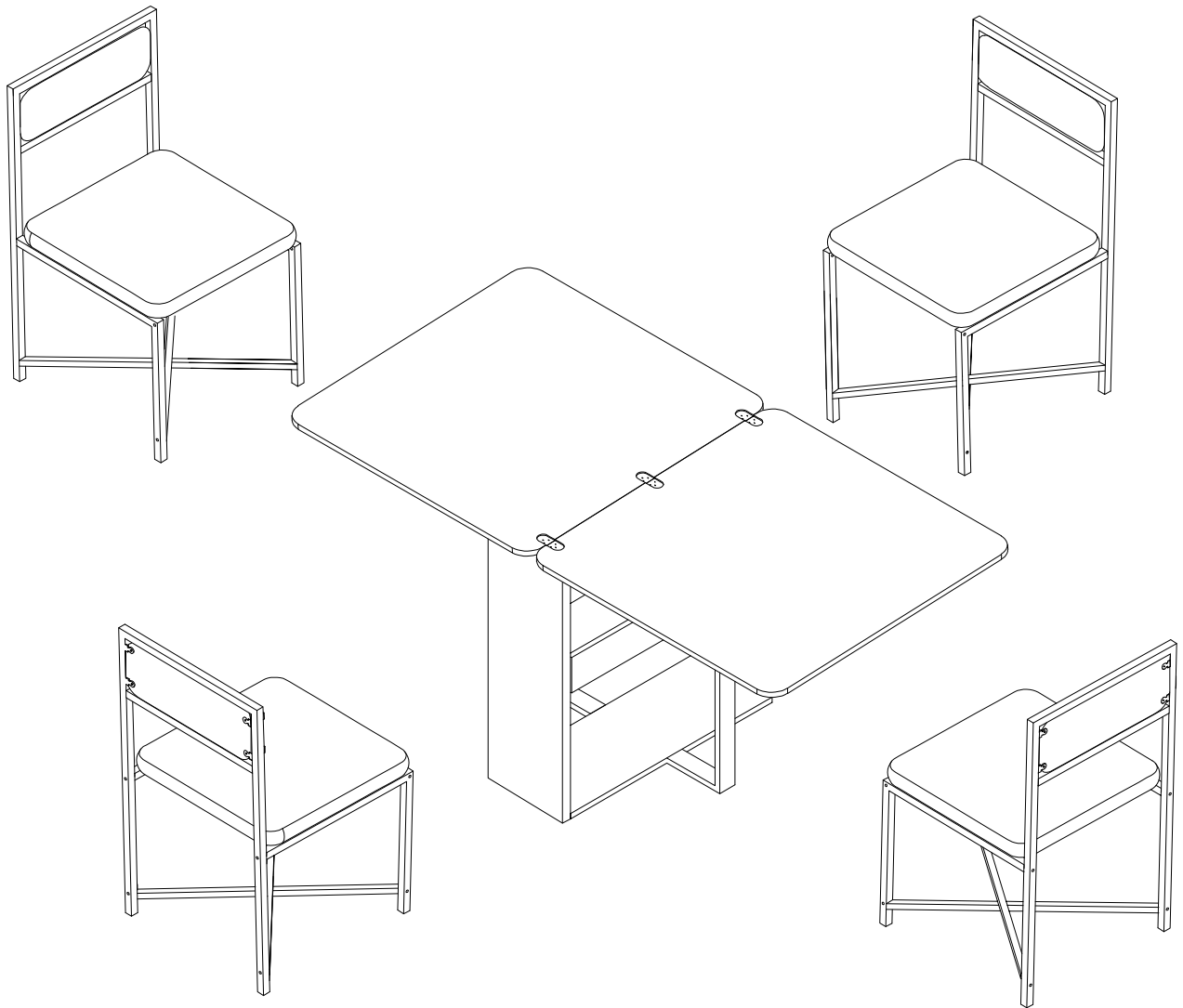


Dining Table Set



IMPORTANT NOTE:

- PLACE ALL PARTS ON A CLEAN AND SMOOTH SURFACE SUCH AS A RUG OR CARPET TO AVOID THE PARTS FROM BEING SCRATCHED.
- BEFORE YOU BEGIN, KINDLY FOLLOW THE ASSEMBLY INSTRUCTIONS STEP BY STEP.
- DO NOT TIGHTEN ALL SCREWS AND BOLTS UNTIL THE TABLE IS FULLY SET-UP.



Safety and Care Advice

Important – Please read these instructions fully before starting assembly

- Check you have all the components and tools listed on the following pages.
- Remove all fittings from the plastic bags and separate them into their groups.
- Keep children and animals away from the work area, small parts could choke if swallowed.
- Make sure you have enough space to layout the parts before starting.

- During assembly do not stand or put weight on the product, this could cause damage.
- Assemble the item as close to its final position (in the same room) as possible.
- Assemble on a soft level surface to avoid damaging the unit or your floor.
- Parts of the assembly will be easier with 2 people.



- To reduce the likelihood of damaging your product please ensure that your power drill is set on a low torque setting.

Care and maintenance

- Only clean using a damp cloth and mild detergent, do not use bleach or abrasive cleaners.
- From time to time check that there are no loose screws on this unit.
- This product should not be discarded with household waste. Take to your local authority waste disposal centre.

Handy Hints

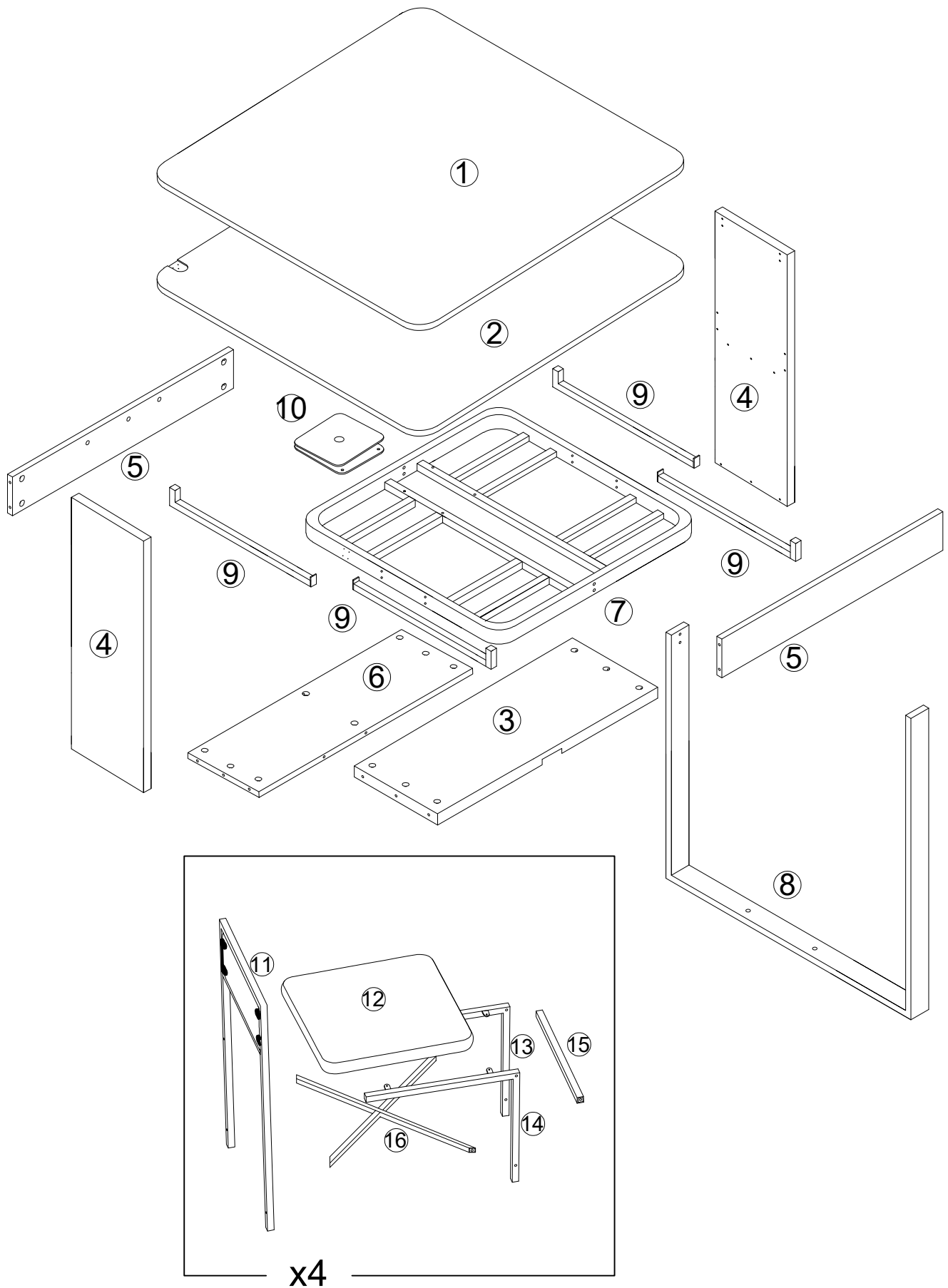
- Assemble all parts and bolts loosely during assembly, only once the product is complete should you fully tighten the bolts
- Regularly check and ensure. That all bolts and fittings are tightened properly.

WARNING
In order to help prevent overturning –
please follow these instructions

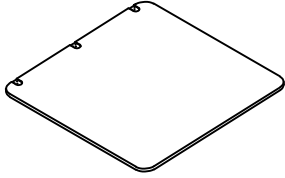
To help prevent product toppling over please follow the below steps:-

- Use the anti tip stap or wall fixing method provided (if applicable)
- Do not allow children to climb or hang on the furniture
- Do not open more than one drawer at a time
- Do not place heavy items in the top drawers
- Do not place heavy items on top of the furniture, unless the furniture has been designed for this purpose

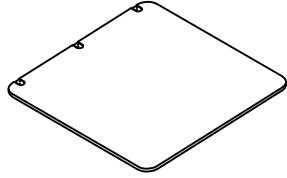
Assembly Instructions



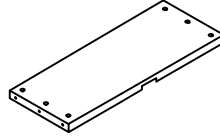
Part List



① x1



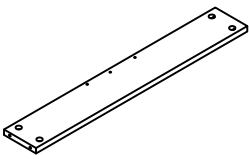
② x1



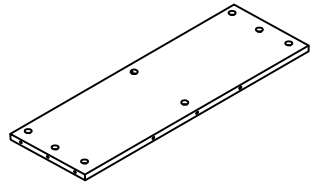
③ x1



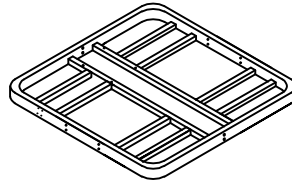
④ x2



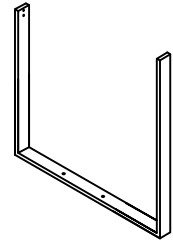
⑤ x2



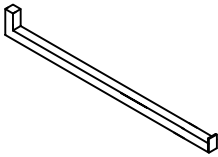
⑥ x1



⑦ x1



⑧ x1



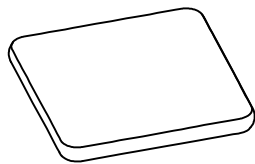
⑨ x4



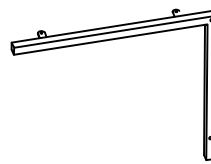
⑩ x1



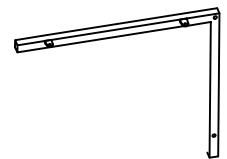
⑪ x4



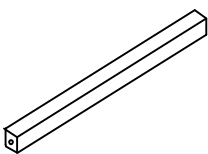
⑫ x4



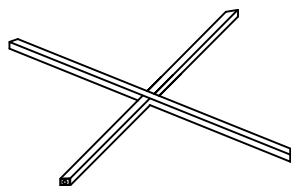
⑬ x4



⑭ x4

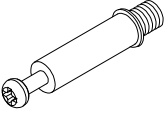
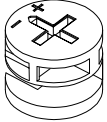
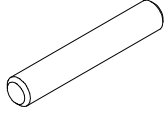
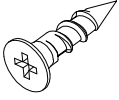
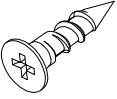
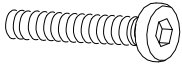
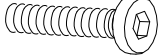
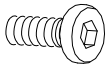
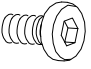
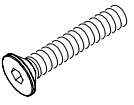
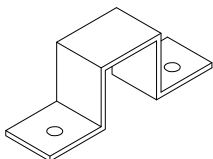
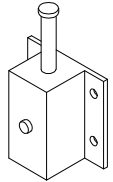
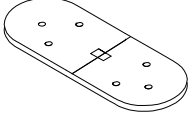
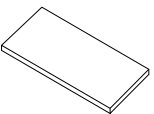
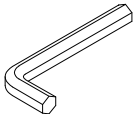


⑮ x4





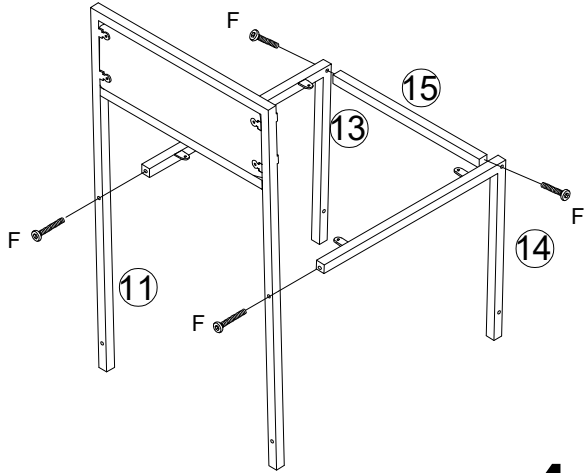
⑯ x4

Hardware

 <p>Ø6×45 mm Ⓐ x22</p>	 <p>Ø15×11 mm Ⓑ x22</p>	 <p>Ø8×30mm Ⓒ x4</p>	 <p>Ø4×14 mm Ⓓ x18</p>
 <p>Ø3×12 mm Ⓔ x8</p>	 <p>M6X40MM Ⓕ x16</p>	 <p>M6X28MM Ⓖ x28</p>	 <p>M6X18MM Ⓗ x16</p>
 <p>M6X12MM Ⓘ x24</p>	 <p>M6X25MM Ⓙ x2</p>	 <p>Ⓚ x8</p>	 <p>Ⓛ x2</p>
 <p>Ⓜ x3</p>	 <p>Ⓝ x6</p>	 <p>M6 Ⓞ x1</p>	



STEP 1

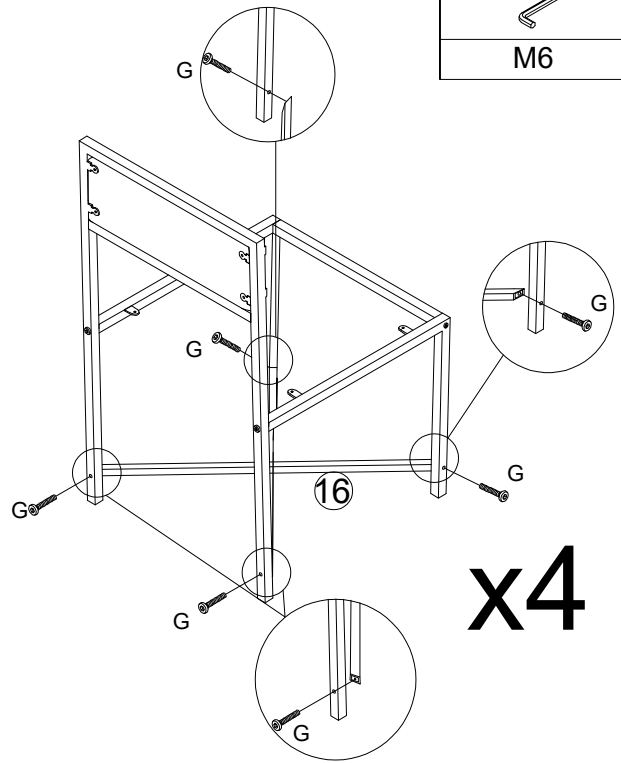
F	16PCS
	
M6X40MM	
O	1PCS
	
M6	



x4



STEP 2

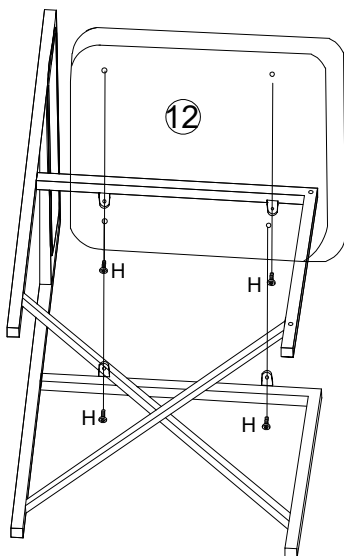
G	16PCS
	
M6X28MM	
O	1PCS
	
M6	



x4


STEP 3

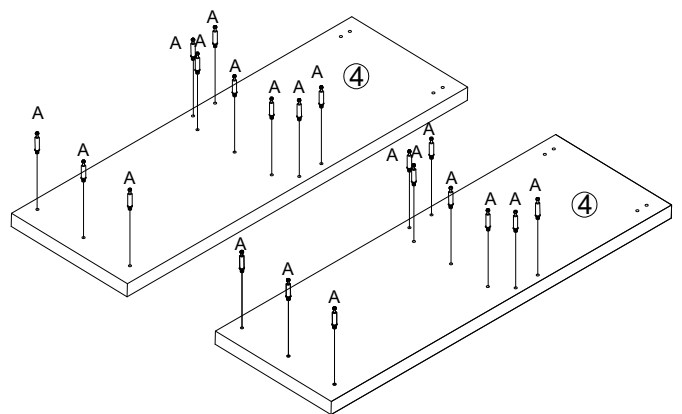
H	16PCS
	
M6X18MM	
O	1PCS
	
M6	



x4

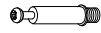
STEP 4

A	X20PCS
	
Ø6x45 mm	

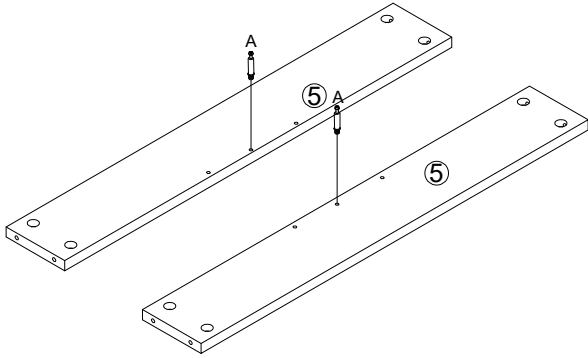


STEP 5

A X2PCS



Ø6×45 mm

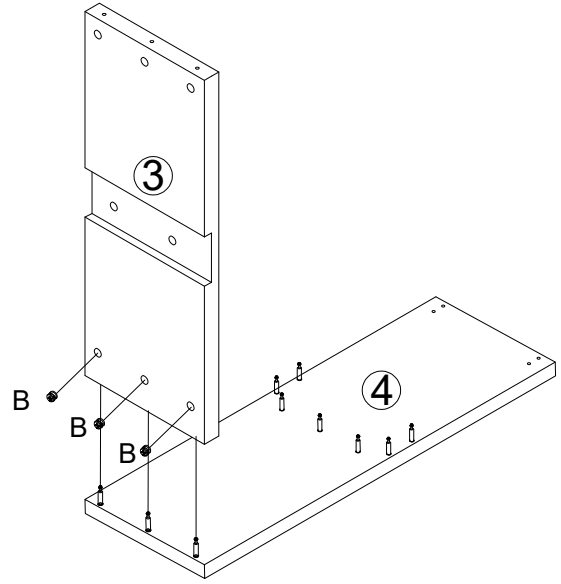


STEP 6

B X3PCS



Ø15×11mm



STEP 7

C X4PCS

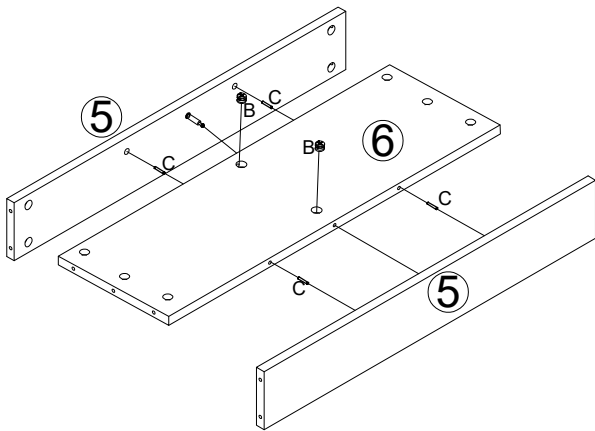


Ø8×30 mm

B X2PCS



Ø15×11mm

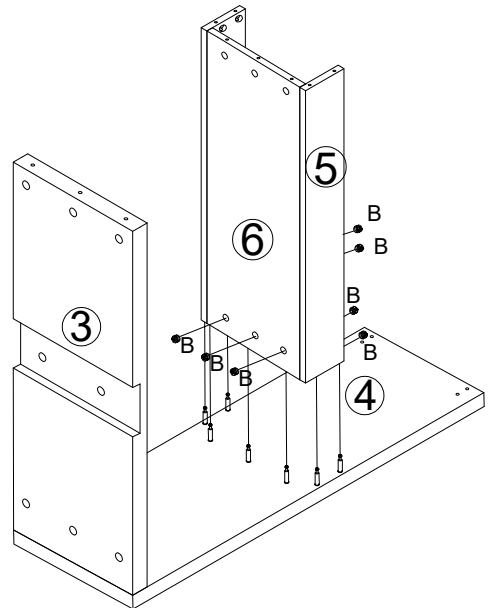


STEP 8


B X7PCS

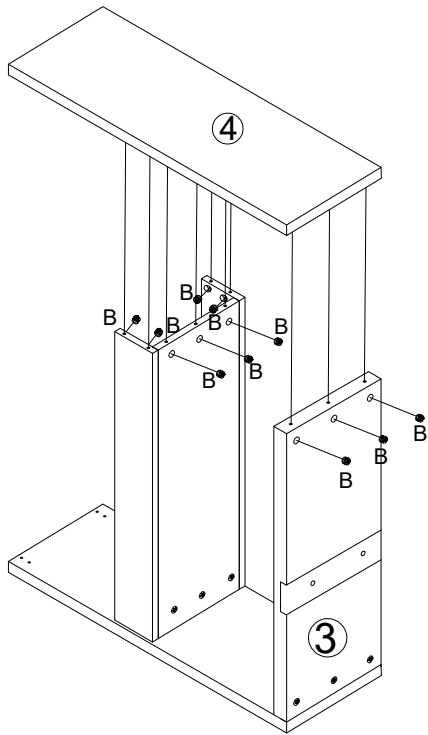


Ø15×11mm





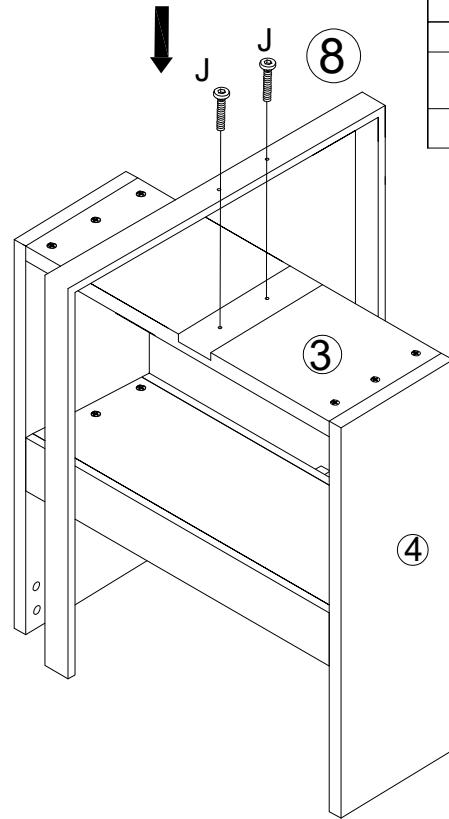
STEP 9

B	X10PCS
	
Ø15×11mm	

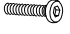



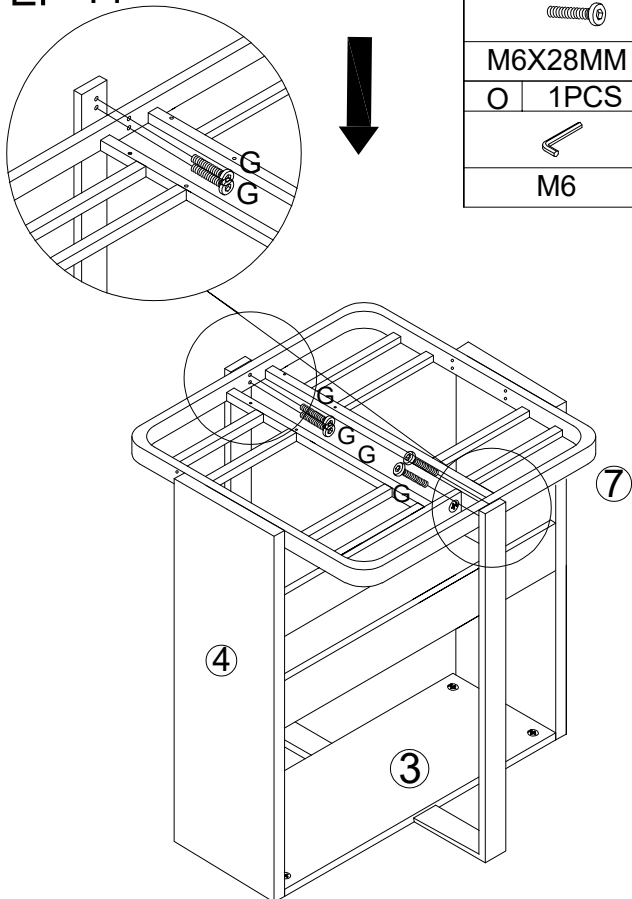
STEP 10

J	X2PCS
	
M6X25MM	
O	1PCS
	
M6	





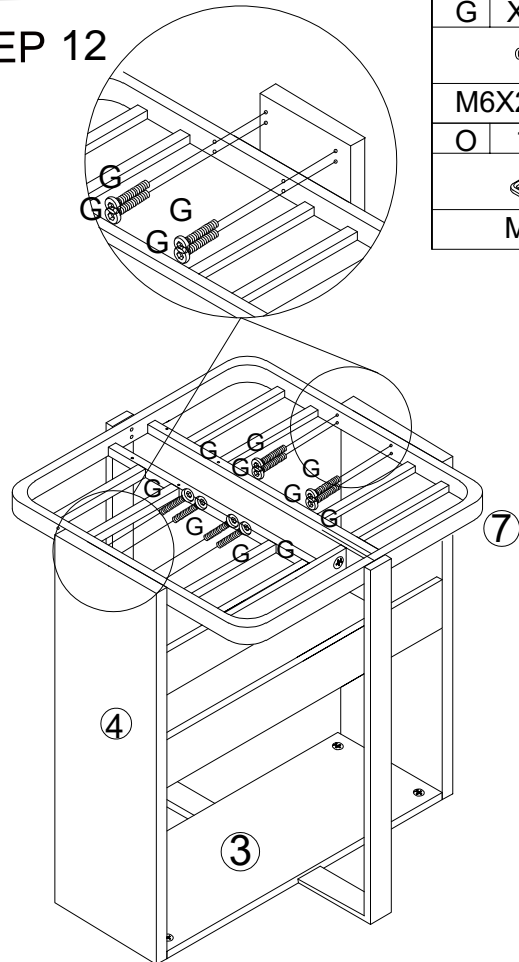
STEP 11

G	X4PCS
	
M6X28MM	
O	1PCS
	
M6	

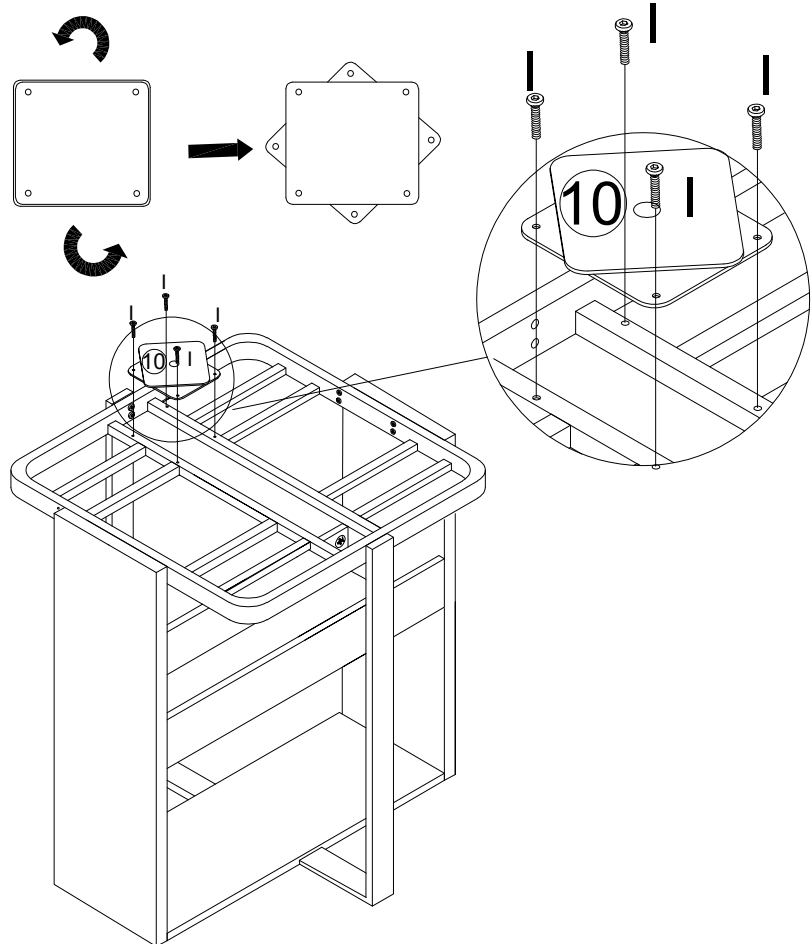


STEP 12

G	X8PCS
	
M6X28MM	
O	1PCS
	
M6	

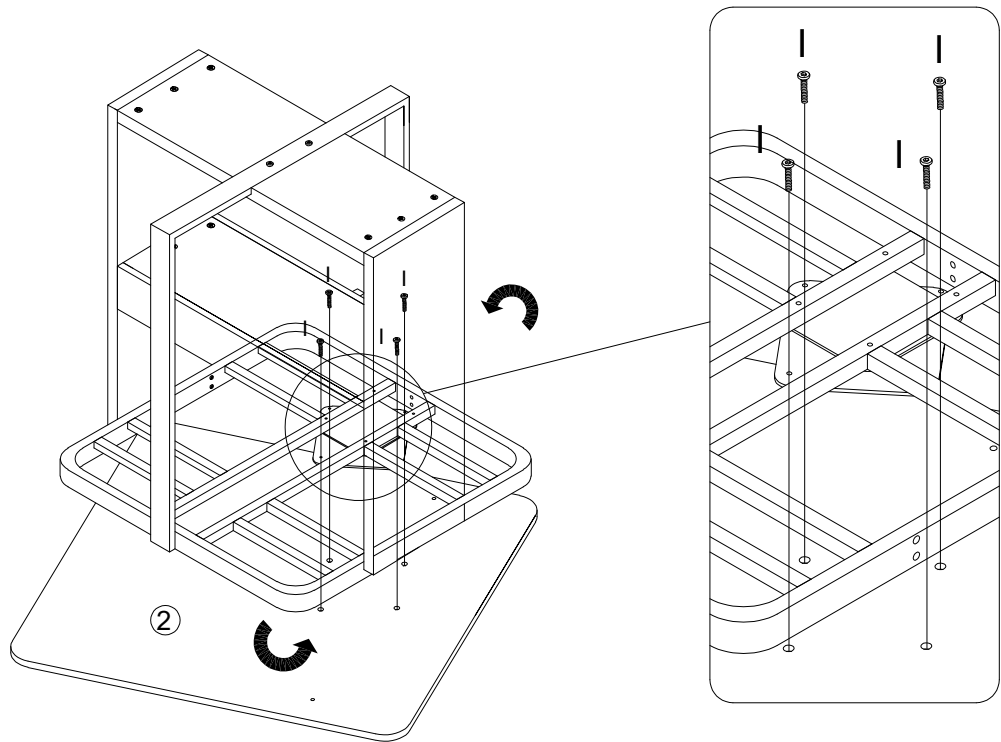


STEP 13






I	X4PCS
	M6X12MM
O	1PCS
	M6

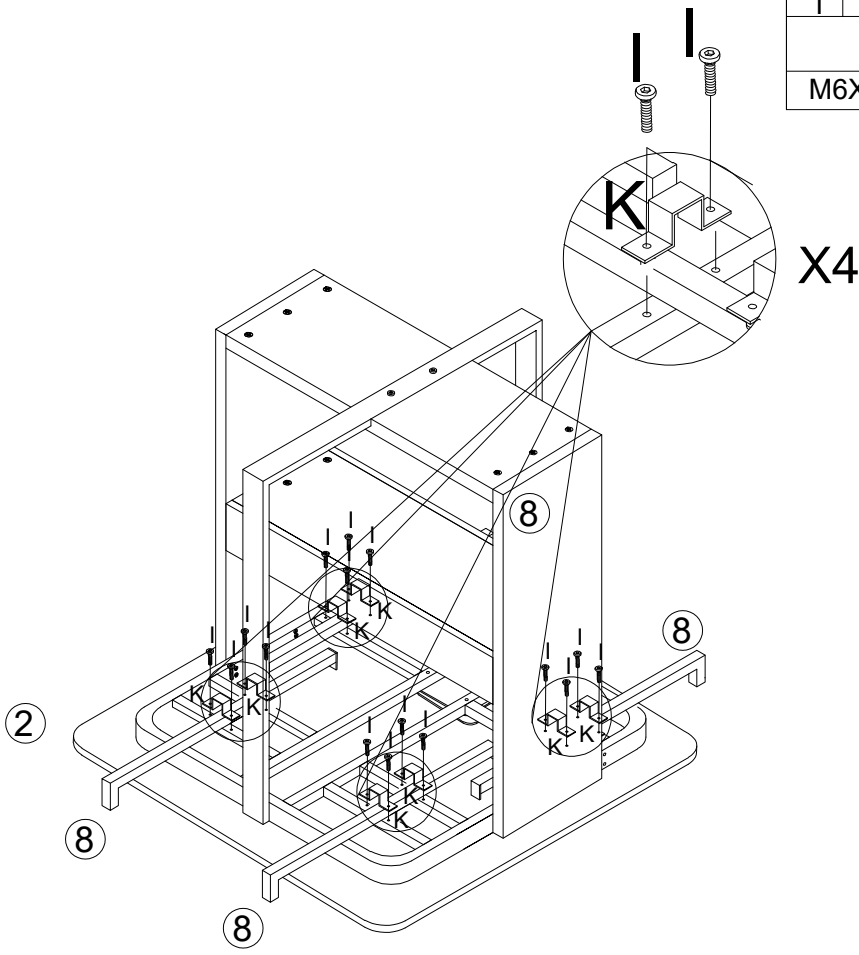
STEP 14




I	X4PCS	O	1PCS
	M6X12MM		M6

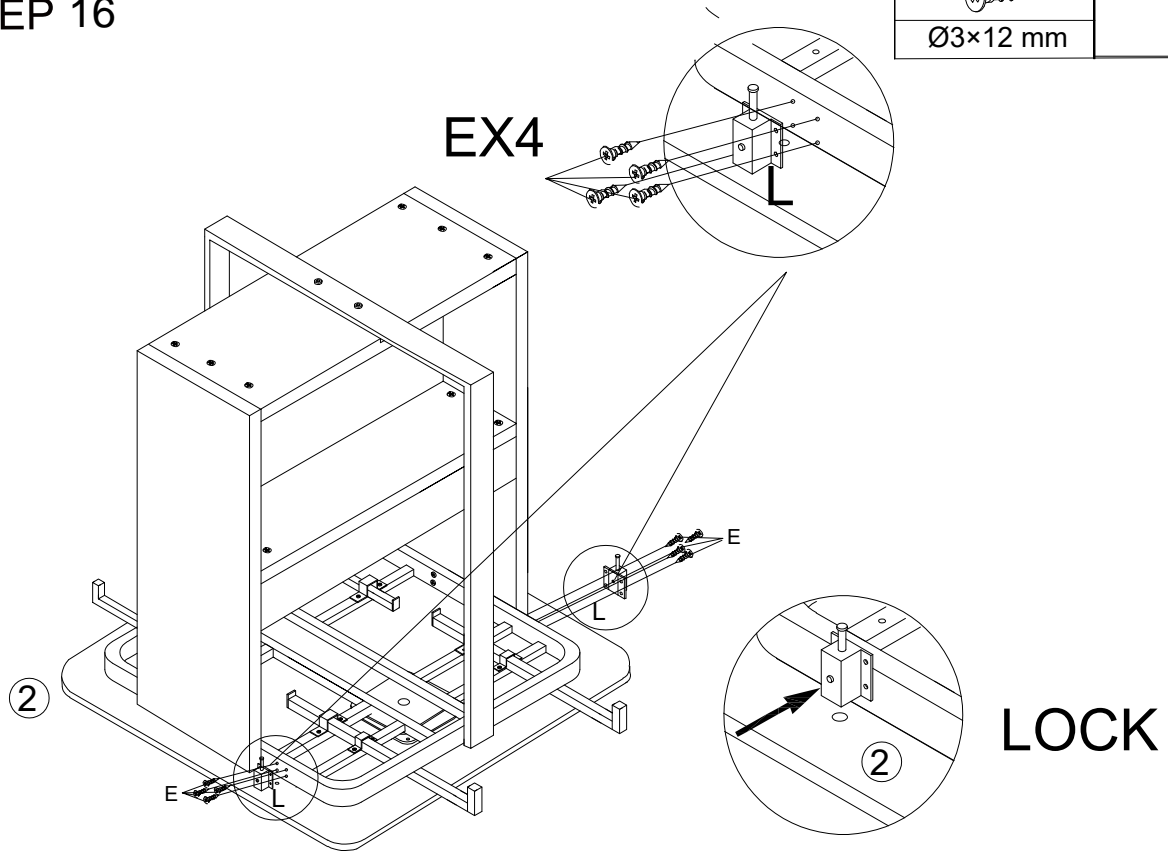
STEP 15

I	X16PCS	K	X8PCS
 M6X12MM			
O	1PCS		
M6			



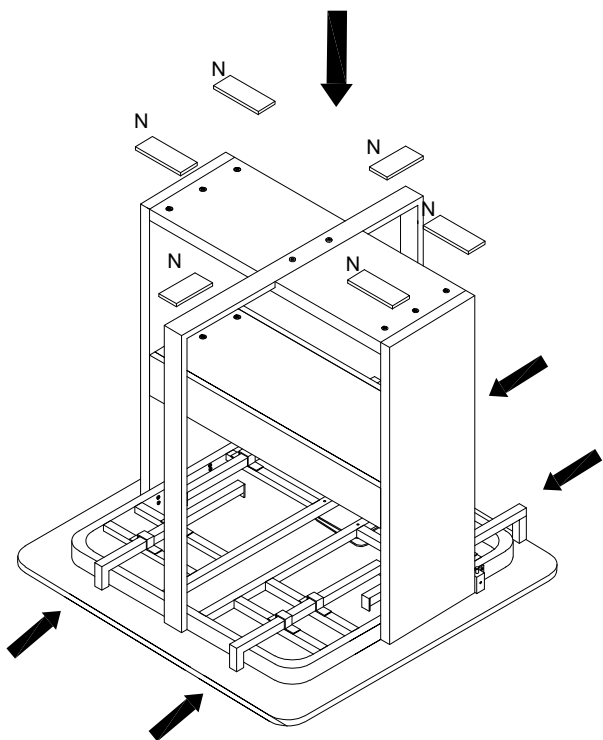
STEP 16

E	X8PCS	L	X2PCS
 Ø3×12 mm			

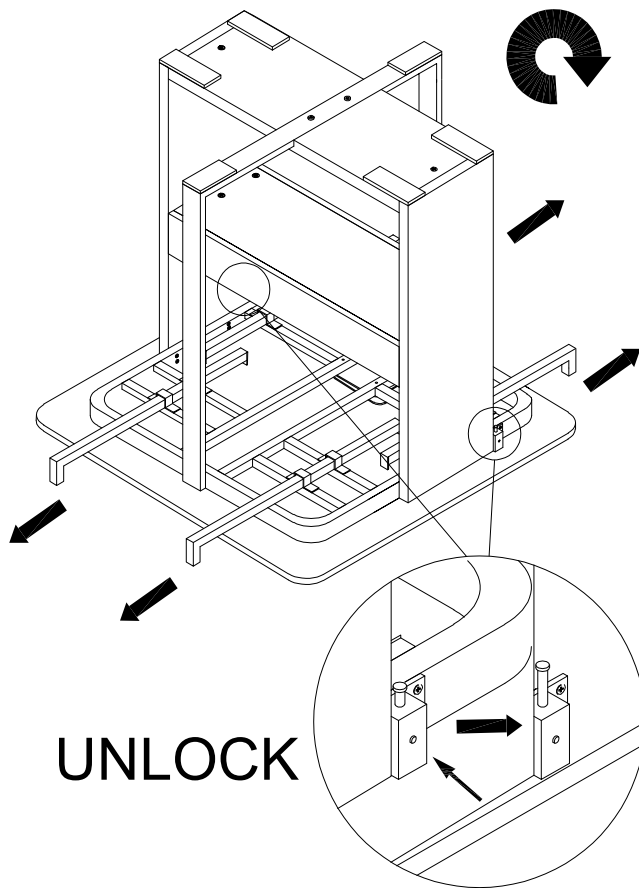


STEP 17

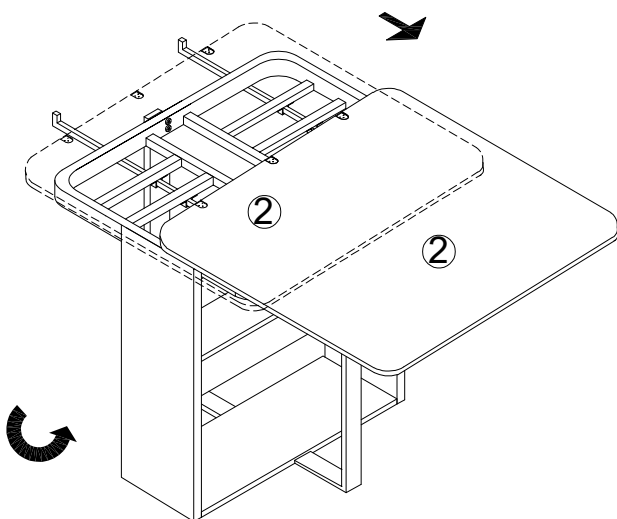
N X6PCS



STEP 18



STEP 19



STEP 20

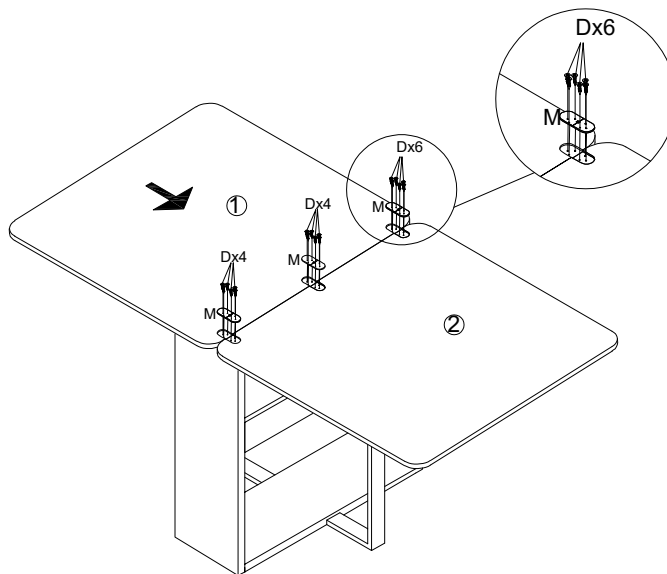
M X3PCS



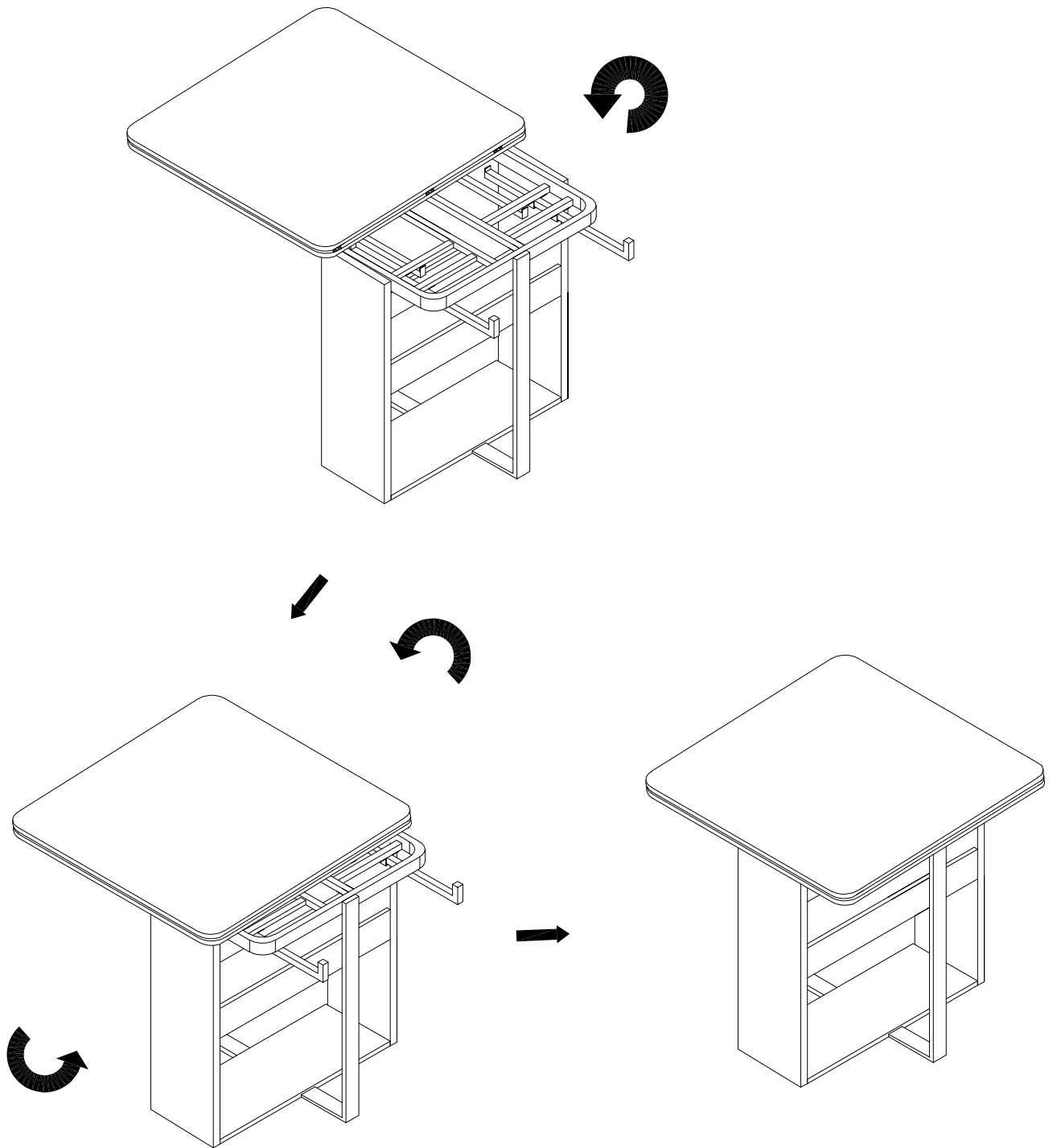
D X18PCS



Ø4×14 mm



STEP 21



STEP 22

