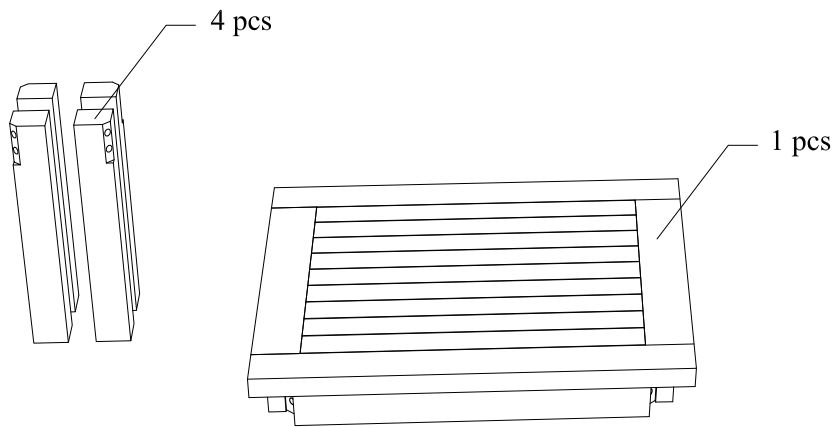
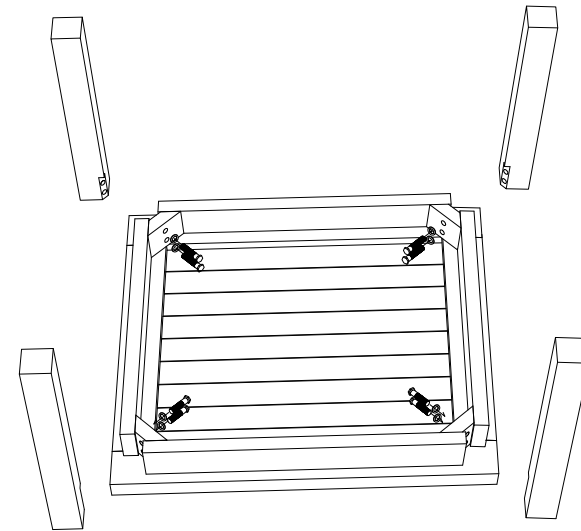


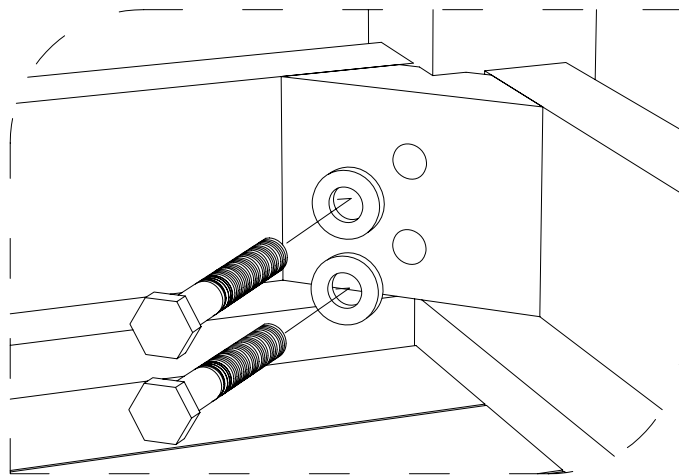
SIDE TABLE



1



2



3

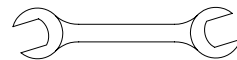
Hardware



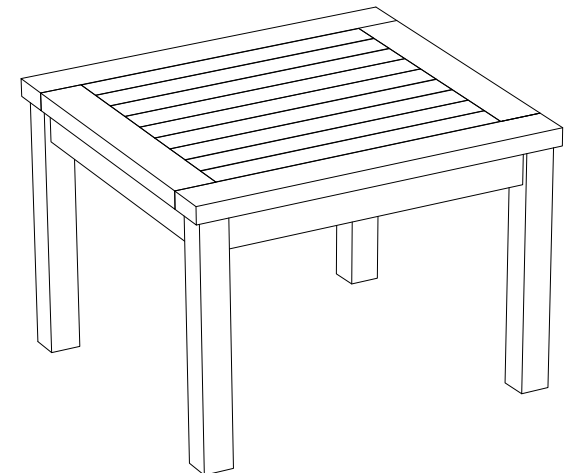
M 8 X 6cm = 8 pcs



Flat Washer M 8 = 8 pcs



Open Wrench M5 = 1 pcs



4