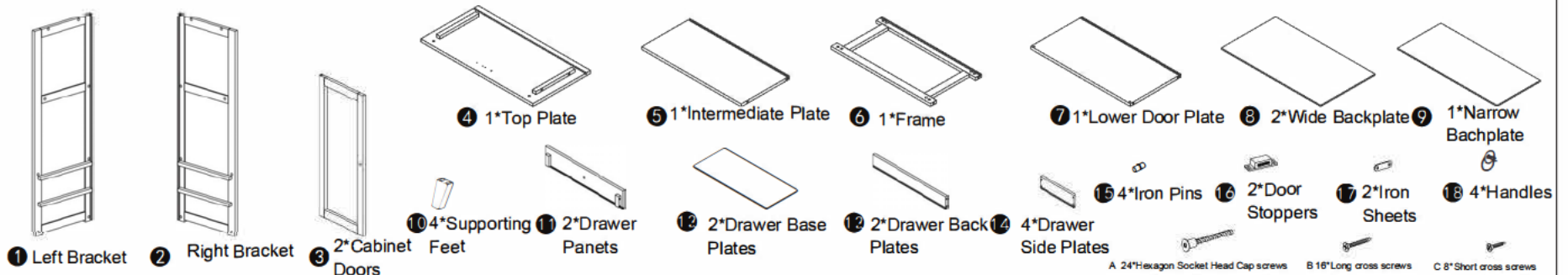


After opening the package, classify the accessories according to the accessories list and then start installation

Accessories List



Installation Diagram

<p>1</p> <p>Install the drawer with screw B, insert the handle 18 directly on the panel and then bend it.</p>	<p>2</p> <p>Install the door stopper 16 on the panel 4 with screws C.</p>			
<p>3</p> <p>Fix the four support feet on the frame 6 with screws A.</p>	<p>4</p> <p>Fix the bracket on the frame with screws A.</p>	<p>5</p> <p>Insert backplate 9.</p>	<p>6</p> <p>The left and right holes should face upwards.</p> <p>Install the lower door plate 7 with screws A.</p>	<p>7</p> <p>Insert backplate 8.</p>
<p>8</p> <p>Fix the intermediate plate 5 with screws A.</p>	<p>9</p> <p>Insert backplate 8.</p>	<p>10</p> <p>Install and fix the top plate 4 with screws A, and only tighten the rear two screws A.</p>	<p>11</p> <p>Fix the iron plate on the door with screw C, insert the handle 18 into the door and then bend it, and then insert the iron pin 15 on both ends of the door. There are two pins to be installed.</p> <p>Insert the iron pin on the door into the wide plate and the panel, and screw in the two screws on the front of the panel.</p>	<p>12</p> <p>Put the drawers into and the installation is completed.</p>