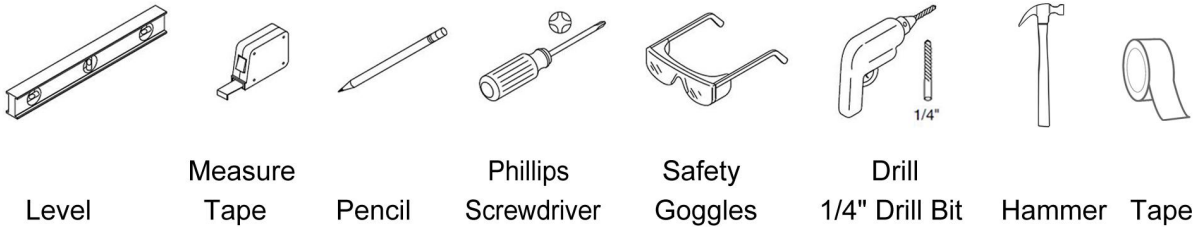


Installation Guide

Preparation

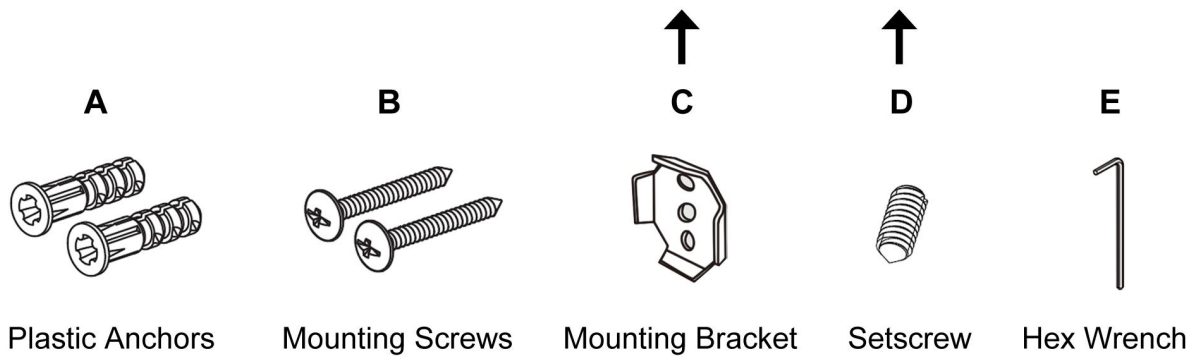
1. Before beginning, check all parts are at present, compare parts with package contents list. If any part is missing or damaged, please contact customer service for helping.
2. CAUTION: Do Not install where the product might be used as a grab or support bar.
3. Wear safety goggles, use caution when drilling into walls to avoid drilling into electrical and plumbing lines hidden within wall.
4. Mount into ceramic tile or solid surface, drill 1/4" holes, and place masking tape on the mounting area before marking the location to prevent drill bit from sliding.

Recommends These Tools



Package Contents

Product x 1, Hardware Pack x 1. **Note: Bracket and setscrew, on item base back**



Care and Maintenance

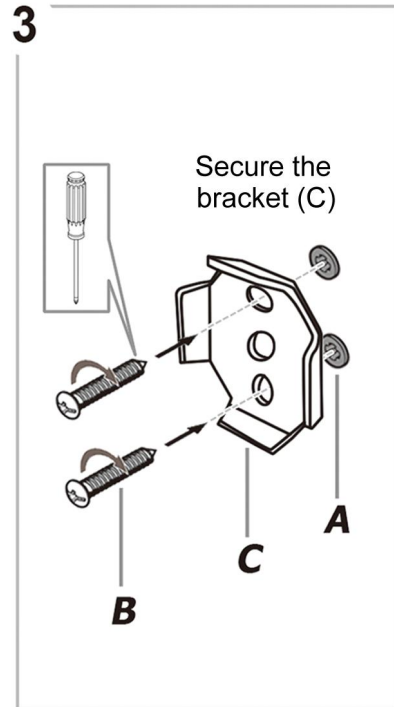
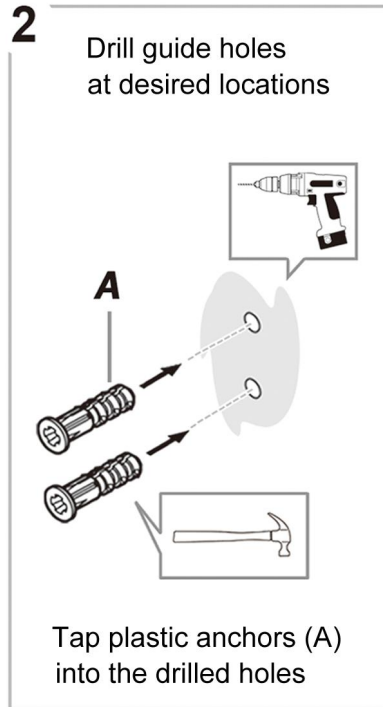
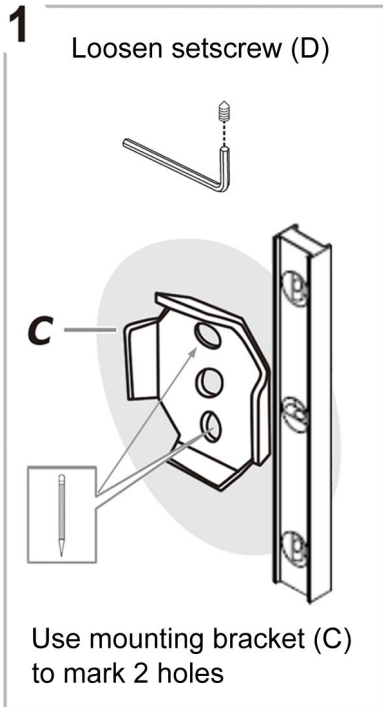
Clean with a soft, damp cloth only. DON'T USE scrub pads, detergents or cleansers as they may harm the protective finish. Maintenance period should be 1-2 months.

Installation Steps

1. Loosen the setscrew at the bottom, then remove mounting bracket and place it on the wall. Make sure that it is level.

2. Use 1/4" drill bit, drill holes indicated. Push in anchors until flush with wall by hammer.

3. Fasten mounting bracket to wall with screws.



4. Position product over mounting bracket.

5. Tighten setscrew with hex wrench.

