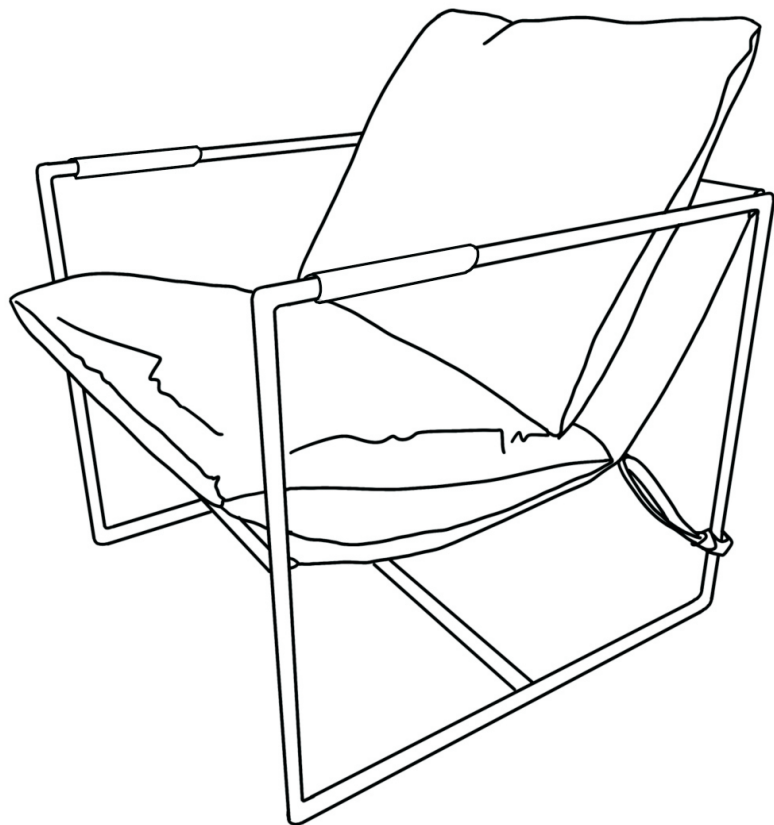
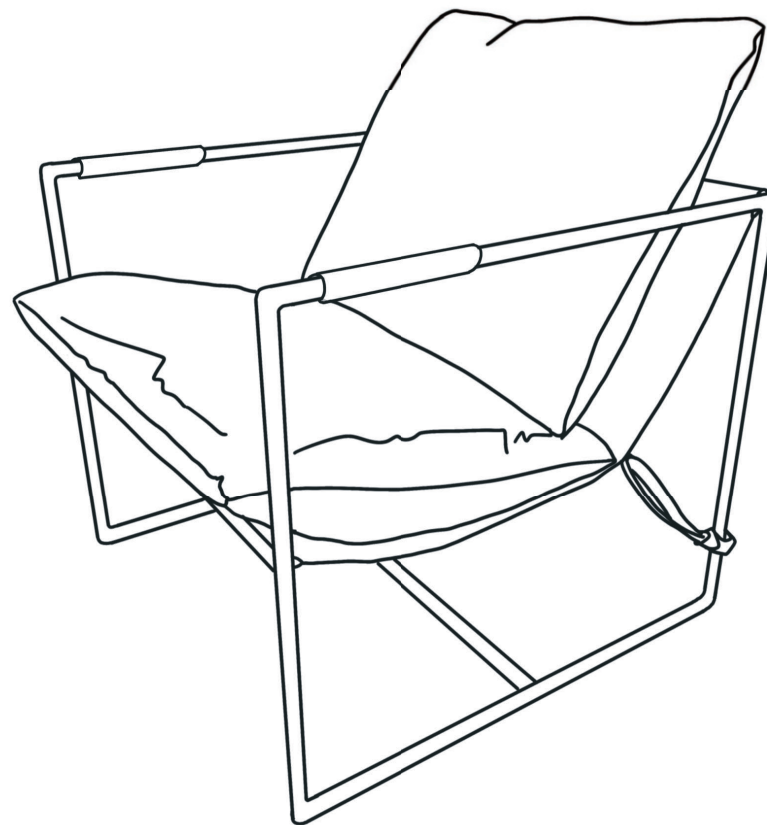


Now the sling accent chair is ready for use.
Enjoy your new sling accent chair!

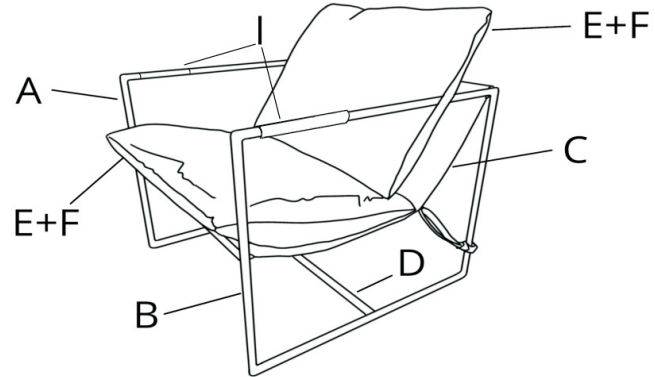


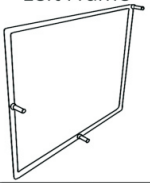
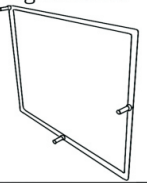
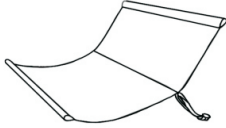
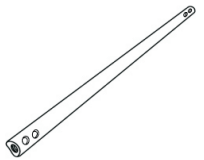
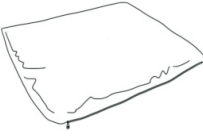



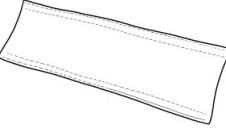
Metal Framed Sling Accent Chair



Assembly Instructions

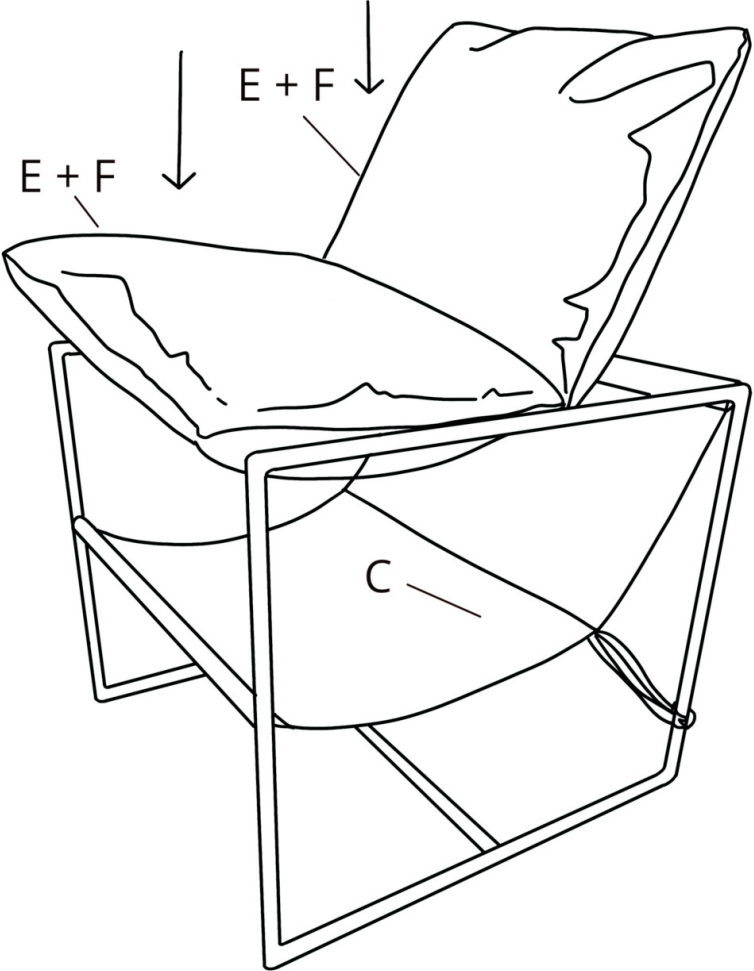
- Please read carefully all instructions before assembly.
- For your safety and ease,assembly by two or more adults is recommended.
- Please remain these instructions for future reference.



<p>A x 1 Left Frame</p> 	<p>B x 1 Right Frame</p> 	<p>C x 1 Sling Seat</p> 
<p>D x 3 Connecting Rod</p> 	<p>E x 2 Cover</p> 	<p>F x 2 Cushion Insert</p> 
<p>G x 1 Allen Wrench</p> 	<p>H x 12 Bolts M6*10mm</p> 	<p>I x 2 Armrest Cover</p> 

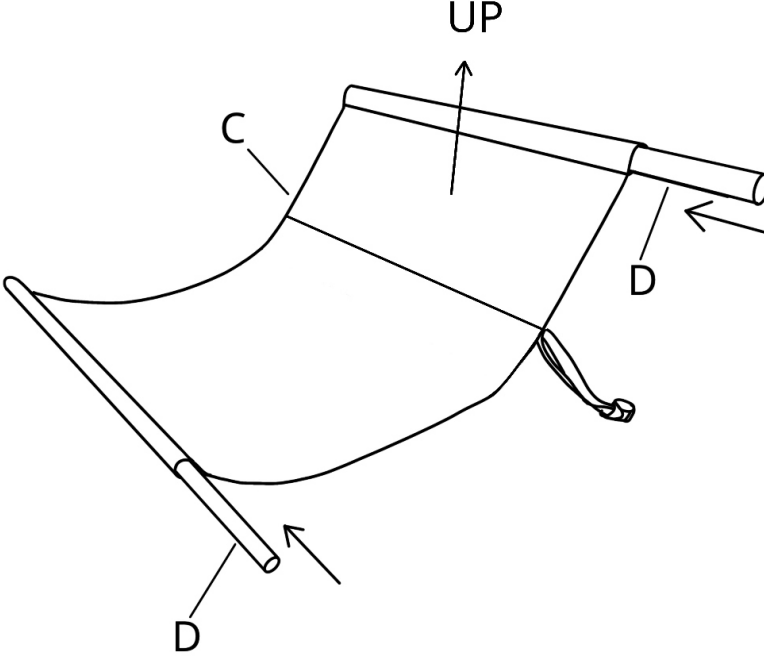


Step 9: Place the two sets of Cushion with Cover(E&F) onto the Sling Seat(C), one will serve as the seat cushion, while the other will serve as the back cushion.

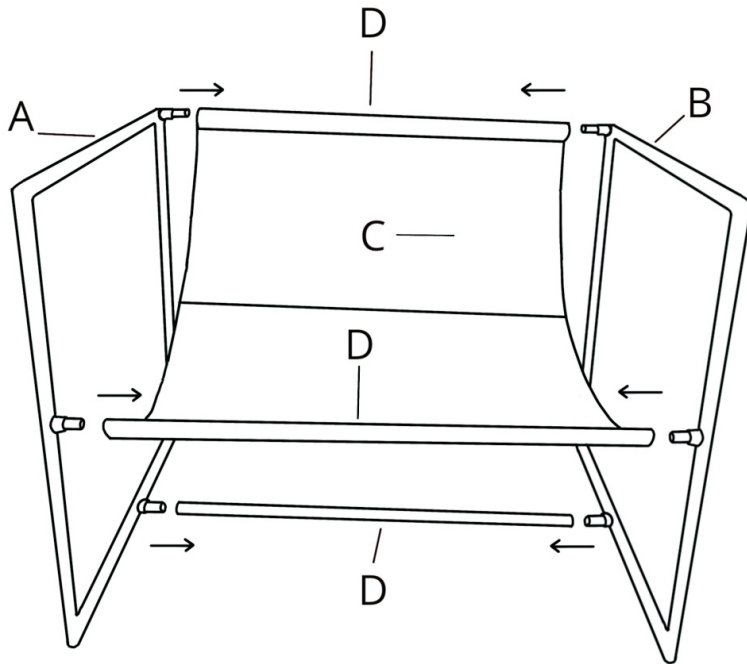


Step 1: Insert the two Connecting Rods(D) into each side of the Sling Seat(C).

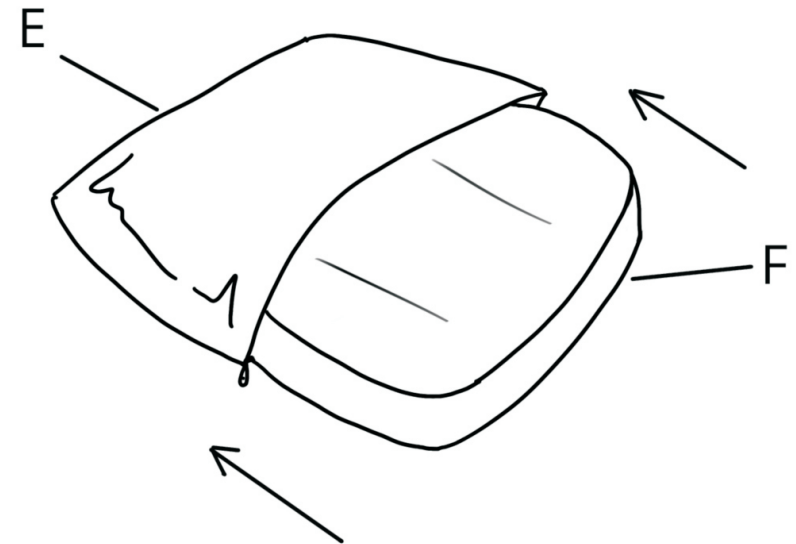
Note: The short part should go up with the stitches.



Step 2: Insert Left Frame(A) and Right Frame(B) into the three Connecting Rods(D) together. Two of the Connecting Rods(D) should already be attached to Sling Seat(C) in Step 1, while the third Connecting Rod is separate.



Step 8: Insert the Cushion Inserts(F) into the Covers(E). Pat and fluff the cushion to help them return to its original shape quickly.

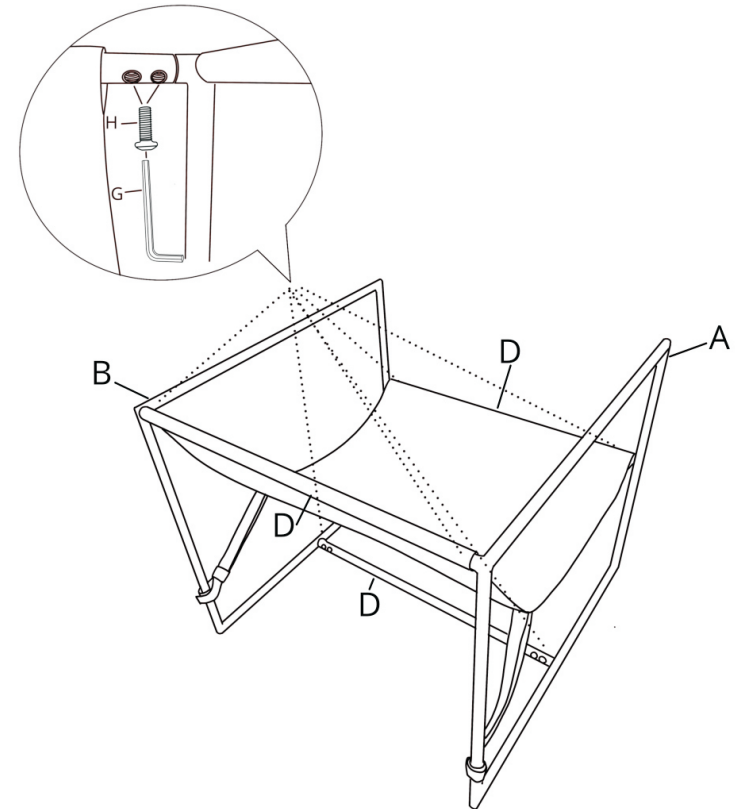


Step7: After taking out the compression package, put it flat and pat it with both hands. Make it more fluffy

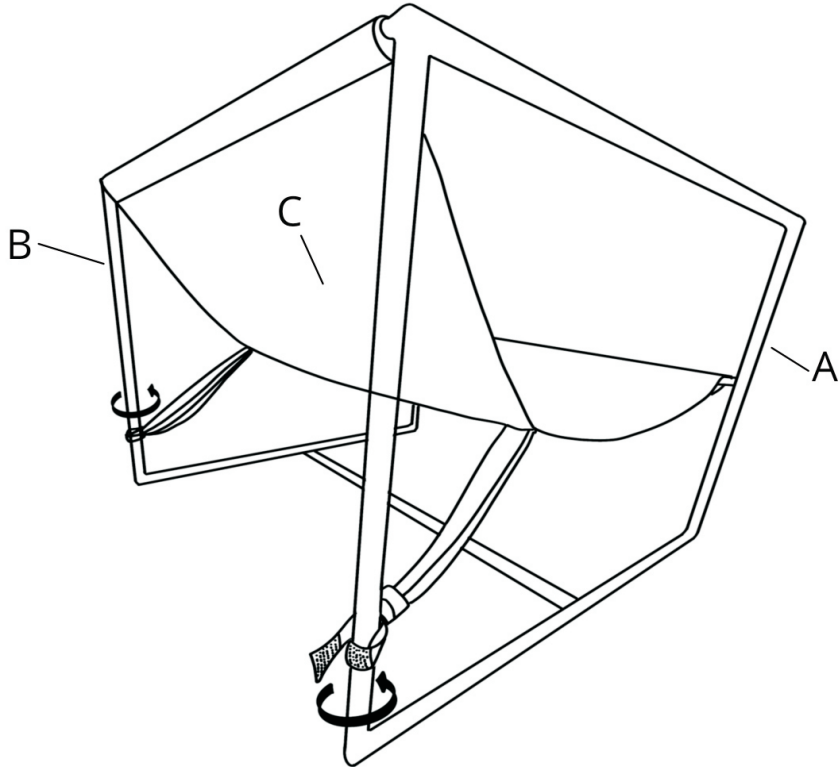


Step 3: Securely fasten the three Connecting Rods(D) to Left Frame(A) and Right Frame(B) with twelve M6*10mm Bolts(H). Align the screw holes on both ends of Connecting Rods(D) with the screw holes on Left Frame(A) and Right Frame(B) before fastening the bolts.

Step 4: Attach two Bolts(H) to each end of the three Connecting Rods(D), tighten all bolts **semi-completely and semi-firmly** by now with provided Allen Wrench(G). Once all twelve M6*10mm Bolts(H) been installed, then tighten them **fully and completely** with Allen Wrench(G).



Step 5: Position yourself at the back of the chair. Wrap the two fabric straps located underneath the Sling Seat(C) around the Left and Right Frames(A&B). Pull the straps taut and secure them in place by using the hook and loop fasteners attached on the straps.



Step 6: Tear off the two Cushion Inserts(F), take out the cushions.

