

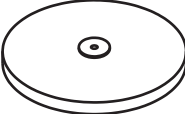


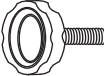




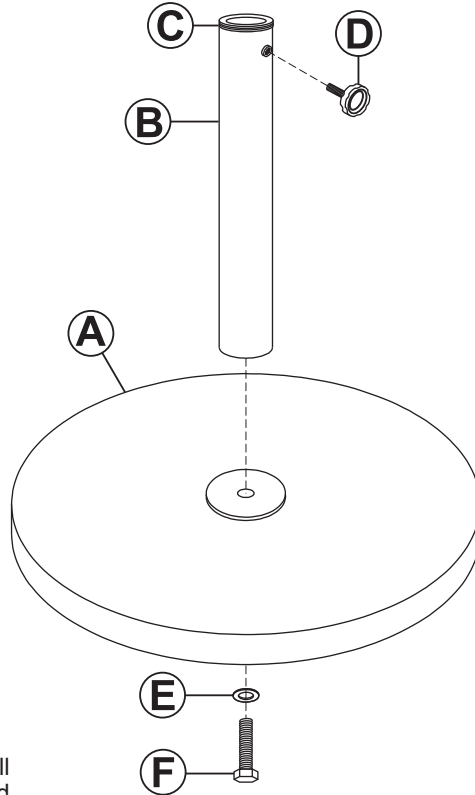
Thank you for choosing us. We stand behind our brand and the quality of the items we sell. Replacement parts or products can be requested with the 1-year warranty period. Proof of purchase must be provided. This includes the date of the purchase as well as photos of the product defect. Photos are used to determine the cause of the defect and to provide future quality control. The request will be reviewed, and replacement pieces will be sent at our discretion. For warranty information,

# CAST IRON UMBRELLA BASE

Read and follow all instructions before assembling and using this product. Keep these instructions in a safe place for future reference.  
**Assemble the umbrella base on a smooth, clean surface to avoid scratching or damaging the finish.**

 Inspect packaging to ensure all parts are accounted for before disposing of packing materials.  
 Save the packing slip.

No.	PARTS	QTY.
A	 Base (style may vary)	1
B	 Pole	1
C	 Adapter	1
D	 Adjustable Handle	1
E	 Washer	1
F	 Bolt	1



## ASSEMBLY

To prevent small parts from being lost during shipping, the washer and bolt are loosely attached to the bottom of Pole (B). The threaded knob may be inside the pole, beneath the adapter.

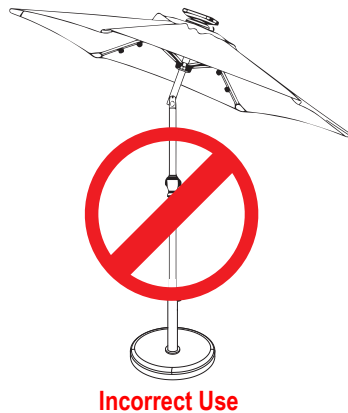
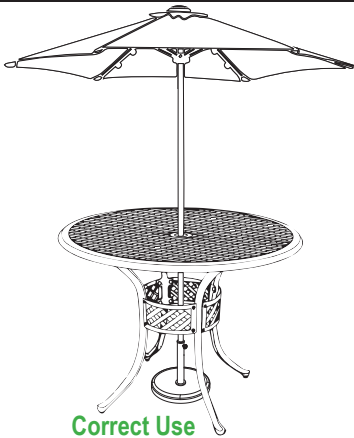
- Place flat Washer (E) onto Bolt (F) and insert through the bottom of Base (A).
- Attach pole (B) onto the base (A).
- Screw Adjustable Handle (D) into Pole (B).
- If necessary, adjust Adapter (C) to fit your umbrella pole.

If the pole feels unstable on the base, use pliers or a wrench (not included) to tighten the hardware. Do not over-tighten as this may strip the bolt, damage the product, and void the product warranty.

## WARNING:

**CHOKING HAZARD** — This item contains small parts that can be swallowed. Keep children and pets away during assembly.

## SAFETY STATEMENTS & WARNINGS



- This is not a freestanding umbrella base; the base must be used under a table designed to support an umbrella pole.
- Check for, and empty, standing water from the base.
- Do not stand on the base — it is only meant to support the weight of an umbrella.
- Store in a dry location when not in use — do not leave exposed to inclement weather.
- Clean with mild soap and water — use of harsh chemicals may damage the product and void the product warranty.
- Do not over-tighten the threaded knob as it may damage your umbrella pole.
- Close patio umbrellas when not in use and remove umbrellas during high-wind conditions; the base is designed only to support an umbrella and will not protect your umbrella from wind damage.

**Any modification to the product or failure to follow recommended care will void the product warranty.**

## WARNING:

Manufacturer and seller expressly disclaim any and all liability from personal injury, property damage or loss, whether direct or indirect, or incidental, resulting from the incorrect attachment, improper use, inadequate maintenance, or neglect of this product.