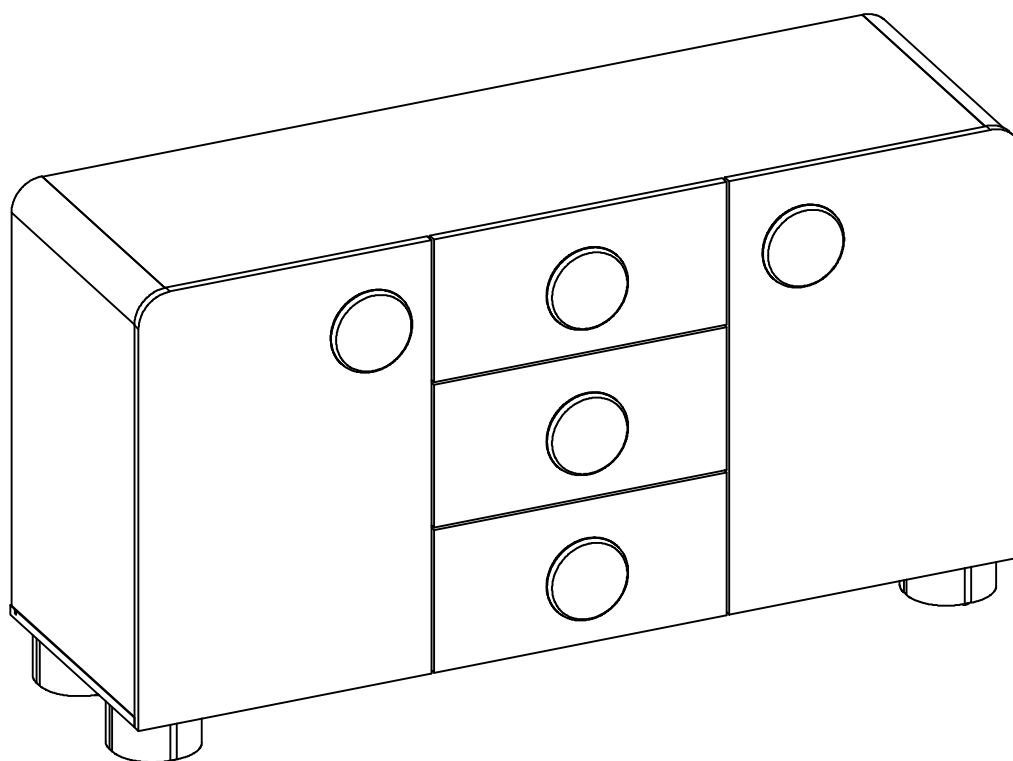


ASSEMBLY INSTRUCTIONS

EEI-6892

V0.03.01.24



Questions? Contact us!

609.256.9000 • cs@modway.com

www.modway.com

***modway**

Let's get started!

*modway



Read through all of the instructions before starting



Care instructions are listed in the last step of this manual



Approx. 60 minutes assembly time



Make sure you have all parts and components before discarding any packing materials



2 people recommended for assembly

Only use hand tools to assemble this item. Do not use power tools. Do not tighten bolts or screws completely until all hardware is lined up and inserted into the holes.

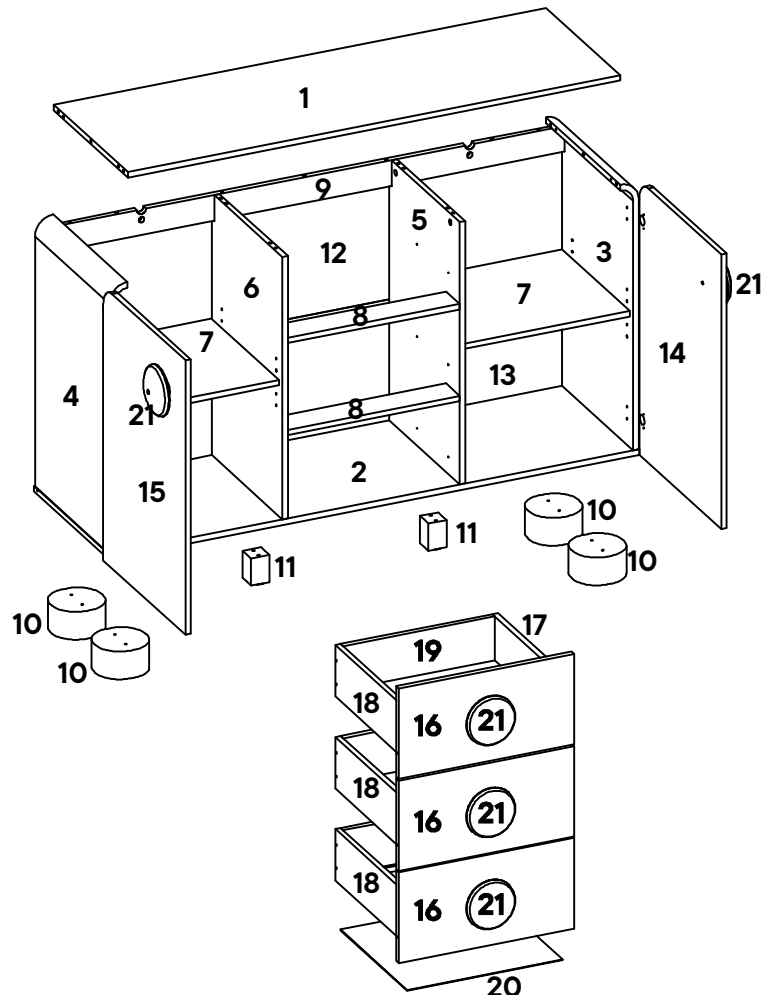
Do not over-tighten screws and bolts to avoid stripping the hardware or cracking the item.

Assemble your item on a flat, carpeted area, with plenty of space to work. This will prevent damage and scratches to your floors or the item while you're assembling the product.

Keep all components and packaging out of reach of children or animals to avoid risk of choking or suffocation.

Furniture components:

1	Top panel	x1
2	Bottom panel	x1
3	Right side panel	x1
4	Left side panel	x1
5	Right middle panel	x1
6	Left middle panel	x1
7	Adjustable shelf	x2
8	Front horizontal panel	x2
9	Back horizontal panel	x1
10	Leg	x4
11	Center support	x2
12	Top back panel	x1
13	Bottom back panel	x1
14	Right door panel	x1
15	Left door panel	x1
16	Front drawer panel	x3
17	Right drawer side panel	x3
18	Left drawer side panel	x3
19	Drawer back panel	x3
20	Drawer Bottom Panel	x3
21	Handle	x5



Wait!

Missing parts or hardware? Need assistance?

Contact us before returning your item. We're here to help!

609.256.9000 • cs@modway.com

Provided hardware:

A.		Cam bolt Ø6 x 32 mm	x30
B.		Cam lock Ø15 mm	x30
C.		Cover Cap	x16
D.		Dowel Ø7.8 x 32 mm	x31
E.		Assembly Screw	x12
F.		Hinge	x4
G.		Screw Ø7 x 14 mm	x8
H.		Screw Ø8 x 37 mm	x12
I.		Screw Ø8 x 25 mm	x8
J.		Wood screw Ø6 x 12 mm	x30
K.		Screw Ø4 x 12 mm	x15
L.		Screw Ø6 x 19 mm	x16
M.		Wedge	x16
N.		Bolt M6 x 30 mm	x5
O.		Shelf Pin	x8
P.		Adjustable Leveller	x2
Q.		Floor Glide	x8
R.		Rear Clamp	x1
S.		Drawer Runner A (L/R)	x3
T.		Drawer Runner B (L/R)	x3
U.		Wall Fixing	x2
V.		Screw Ø6 x 12 mm	x4

What you need:



Phillips Head Screwdriver

Wait!

Missing parts or hardware? Need assistance?

Contact us before returning your item. We're here to help!

609.256.9000 • cs@modway.com

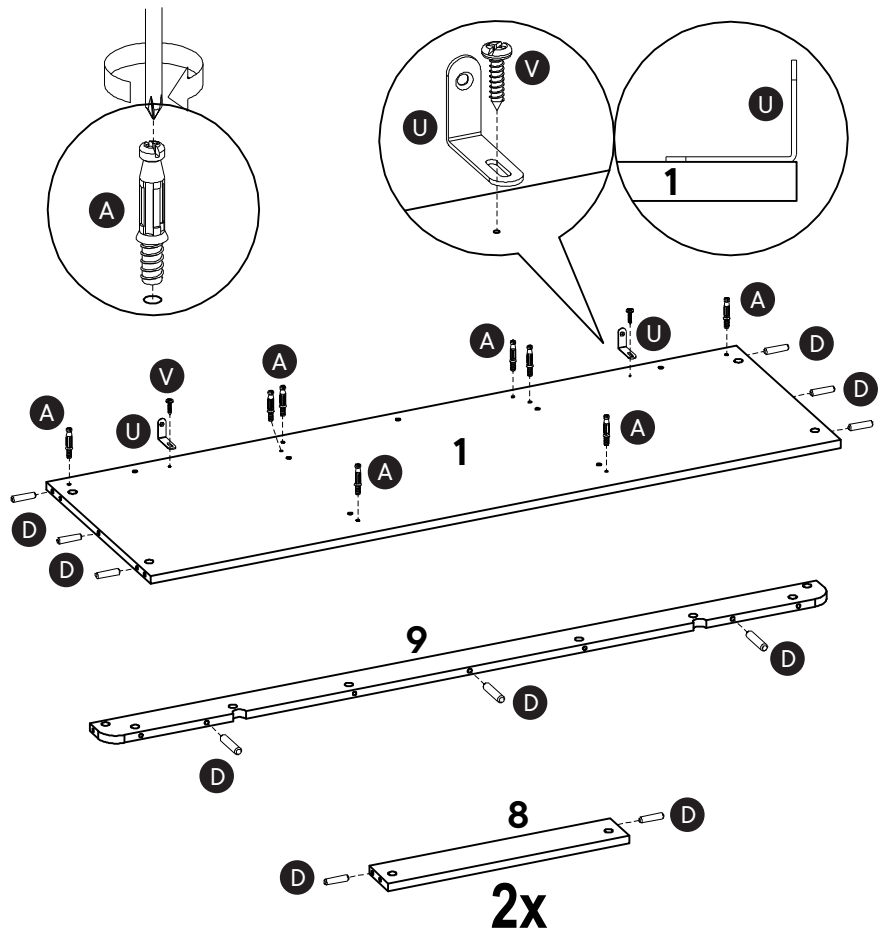
Step 1

COMPONENTS

1	Top Panel	x1
8	Front Horizontal Panel	x2
9	Back Horizontal Panel	x1

HARDWARE

A	Cambolt $\varnothing 6 \times 32$ mm	x8
D	Dowel $\varnothing 7.8 \times 32$ mm	x13
V	Screw $\varnothing 6 \times 12$ mm	x2
U	Wall Fixing	x2



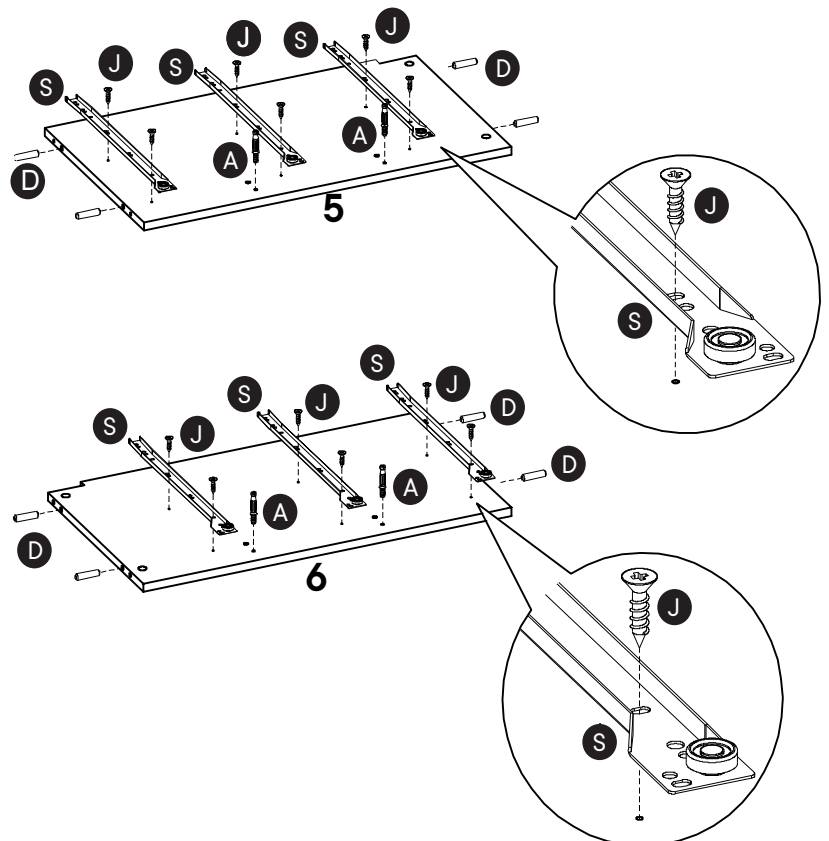
Step 2

COMPONENTS

5	Right middle Panel	x1
6	Left middle Panel	x1

HARDWARE

A	Cambolt $\varnothing 6 \times 32$ mm	x4
D	Dowel $\varnothing 7.8 \times 32$ mm	x8
J	Wood screw $\varnothing 6 \times 12$ mm	x12
S	Drawer runner A (L/R)	x3



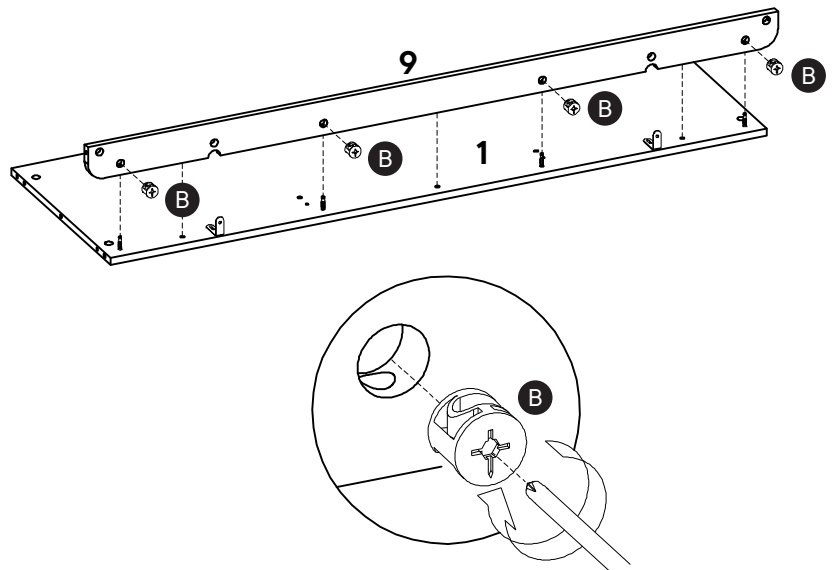
Step 3

COMPONENTS

- | | | |
|---|-----------------------|----|
| 1 | Top Panel | x1 |
| 9 | Back Horizontal Panel | x1 |

HARDWARE

- | | | |
|---|----------------|----|
| B | Camlock Ø15 mm | x4 |
|---|----------------|----|



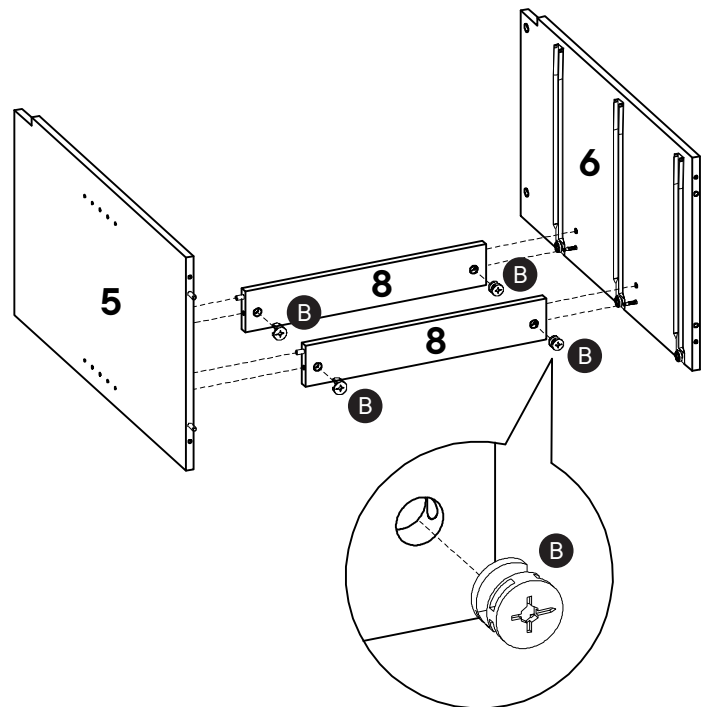
Step 4

COMPONENTS

- | | | |
|---|------------------------|----|
| 5 | Right middle panel | x1 |
| 6 | Left middle panel | x1 |
| 8 | Front horizontal panel | x2 |

HARDWARE

- | | | |
|---|----------------|----|
| B | Camlock Ø15 mm | x4 |
|---|----------------|----|



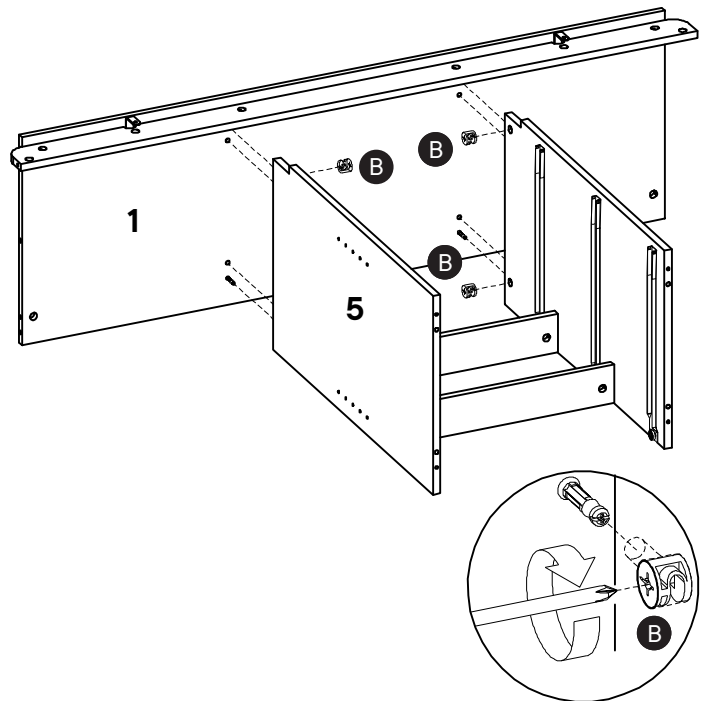
Step 5

COMPONENTS

1 Top Panel x1

HARDWARE

B Camlock Ø15 mm x4



Step 6

COMPONENTS

3 Right side panel x1

4 Left side panel x1

10 Leg x4

11 Center support x2

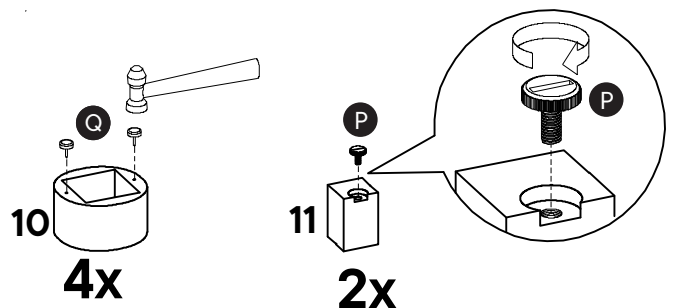
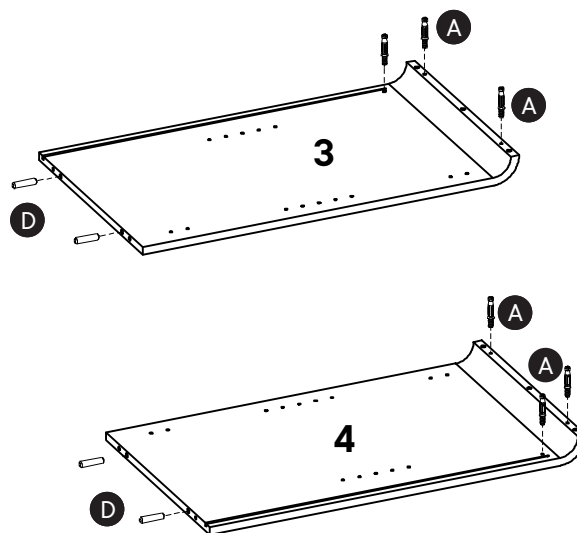
HARDWARE

A Cambolt Ø6 x 32 mm x6

D Dowel Ø7.8 x 32 mm x4

Q Floor glide x8

P Adjustable leveller x2



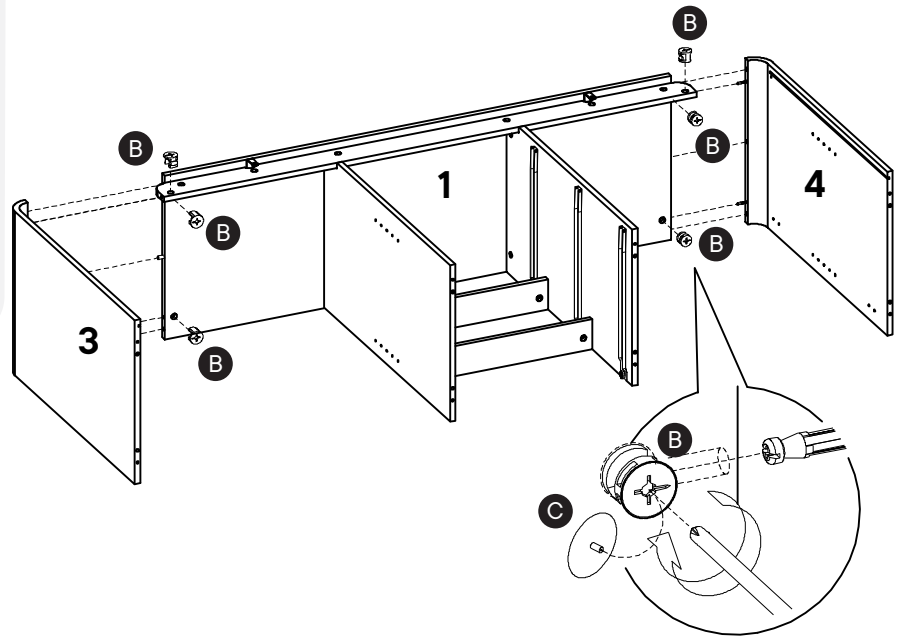
Step 7

COMPONENTS

3	Right side panel	x1
4	Left side panel	x1

HARDWARE

B	Camlock Ø15 mm	x6
C	Cover cap	x4



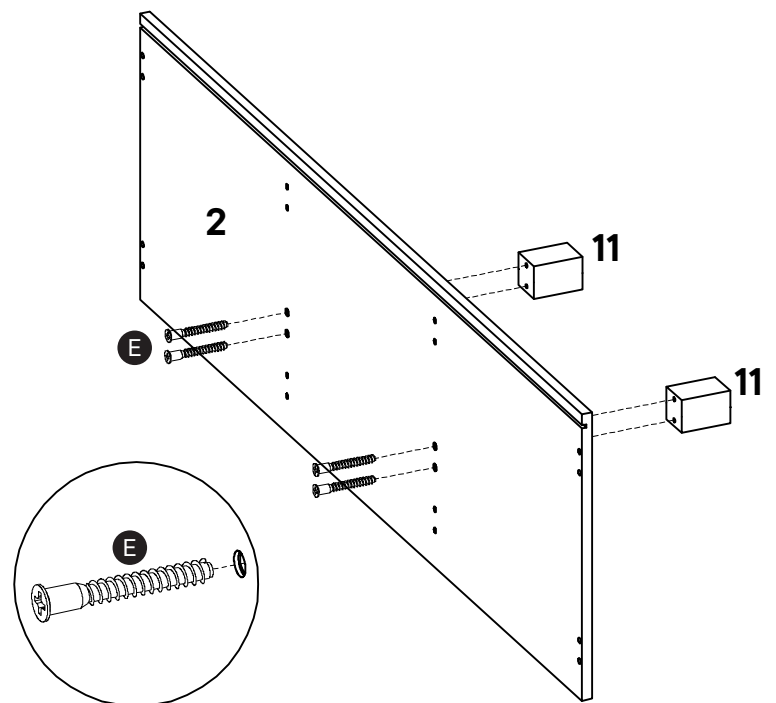
Step 8

COMPONENTS

2	Bottom panel	x1
11	Center support	x2

HARDWARE

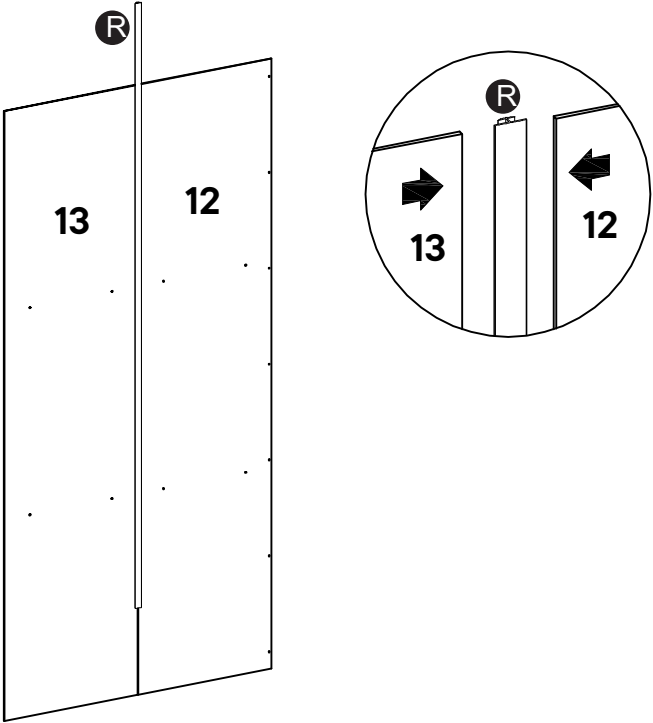
E	Assembly screw	x4
---	----------------	----



Step 9

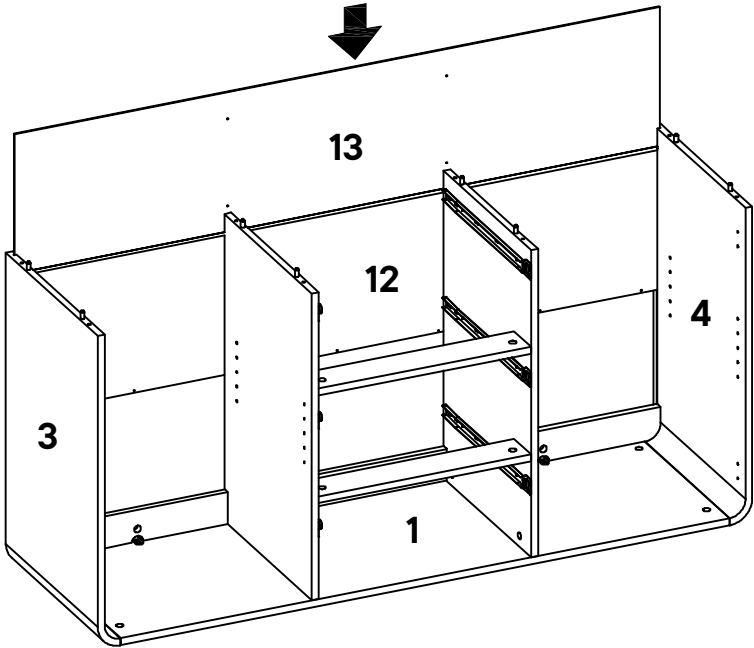
COMPONENTS		
12	Top back panel	x1
13	Bottom back panel	x1

HARDWARE		
R	Rear Clamp	x1



Step 10

COMPONENTS		
12	Top back panel	x1
13	Bottom back panel	x1



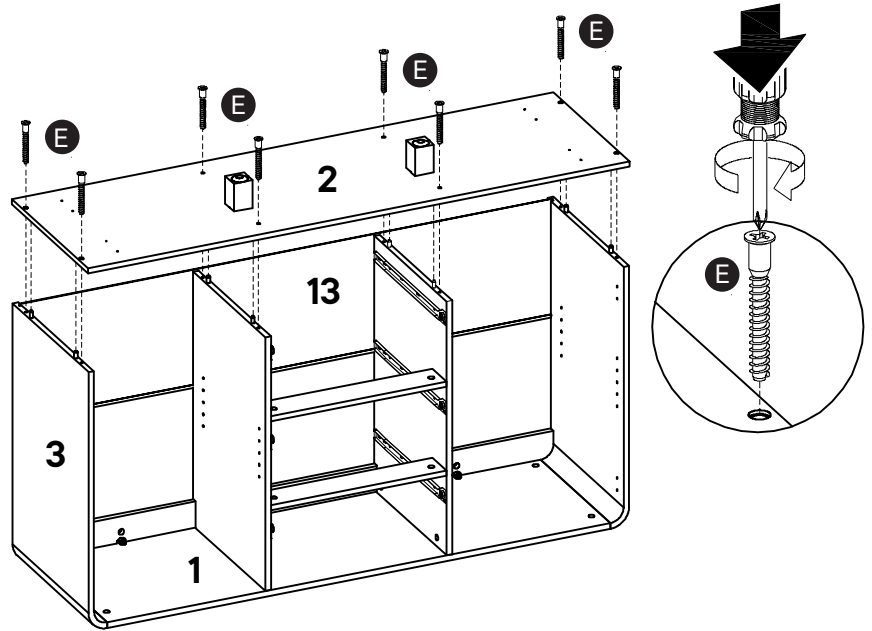
Step 11

COMPONENTS

② Bottom panel x1

HARDWARE

Ⓔ Assembly screw x8



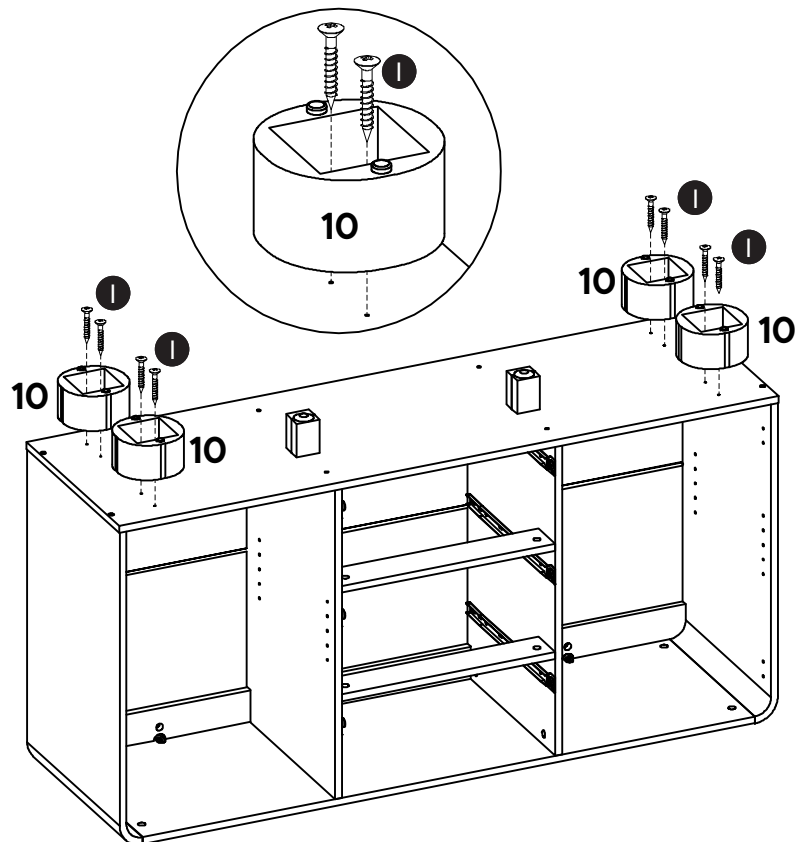
Step 12

COMPONENTS

⑩ Leg x4

HARDWARE

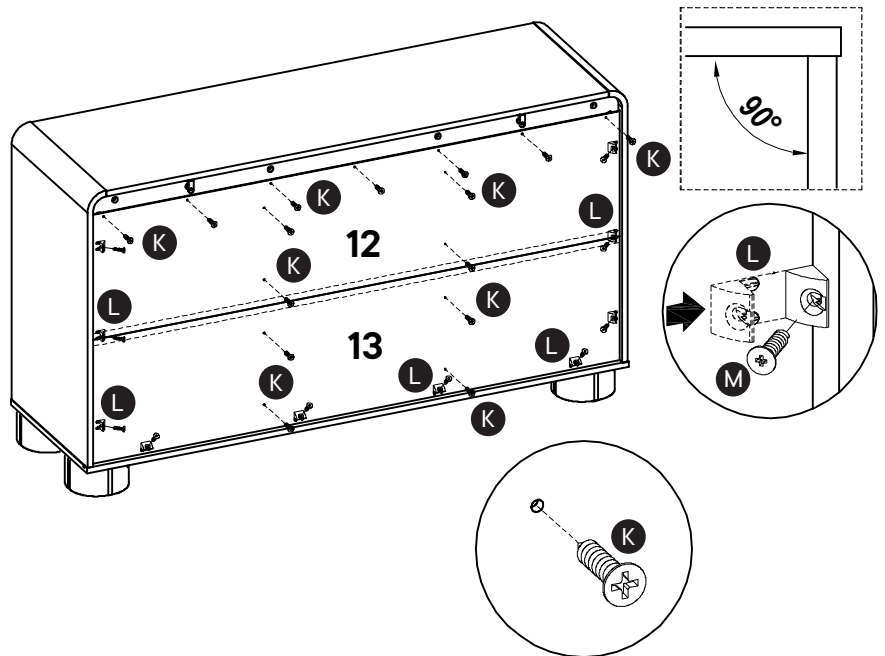
Ⓘ Screw Ø8 x 25 mm x8



Step 13

HARDWARE

- K** Screw Ø4 x 12 mm x15
- L** Wedge x10
- 10** Screw Ø6 x 19 mm x10



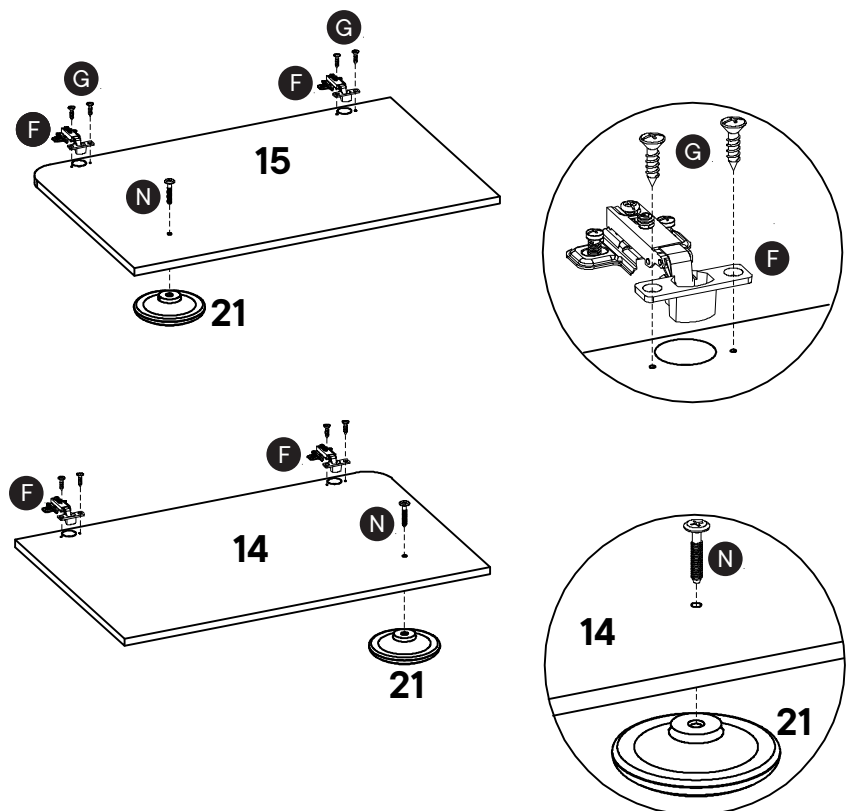
Step 14

COMPONENTS

- 14** Right door panel x1
- 15** Left door panel x1
- 21** Handle x2

HARDWARE

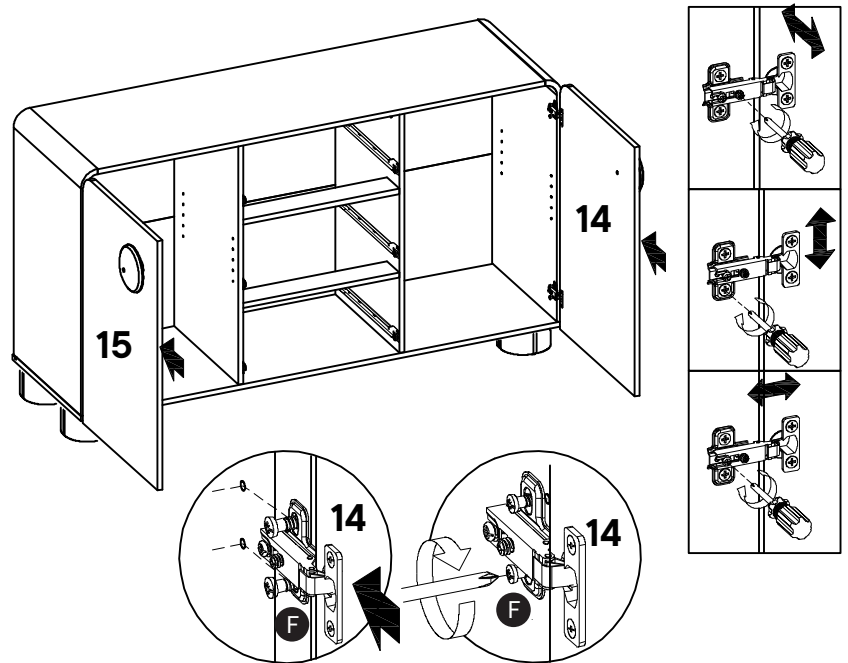
- F** Hinge x4
- G** Screw Ø7 x 14 mm x8
- N** Bolt M6 x 30 mm x2



Step 15

COMPONENTS

- 14 Right door panel x1
- 15 Left door panel x1



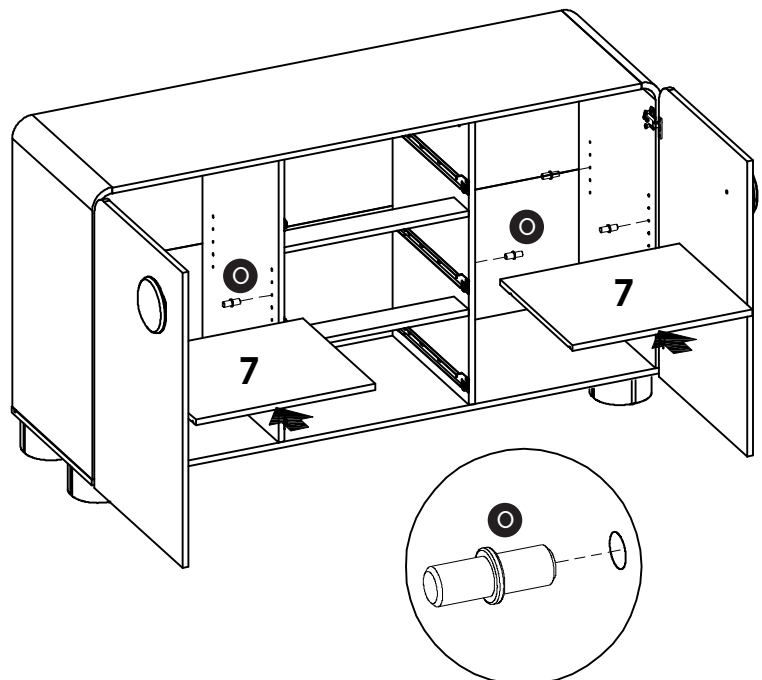
Step 16

COMPONENTS

- 7 Adjustable shelf x2

HARDWARE

- Shelf pin x8



Step 17

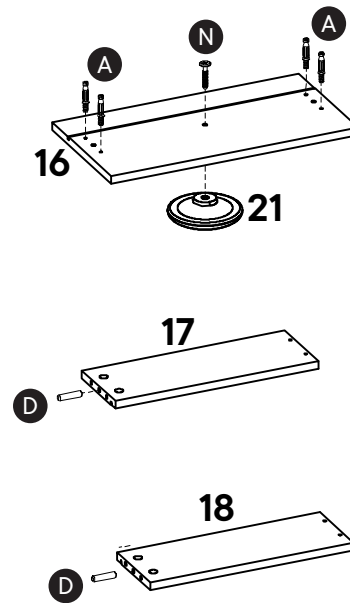
COMPONENTS

16	Front drawer panel	x3
17	Right side drawer panel	x3
18	Left side drawer panel	x3
21	Handle	x3

HARDWARE

A	Cambolt $\varnothing 6 \times 32$ mm	x12
D	Dowel $\varnothing 7.8 \times 32$ mm	x6
N	Bolt M6 x 30 mm	x3

3x



Step 18

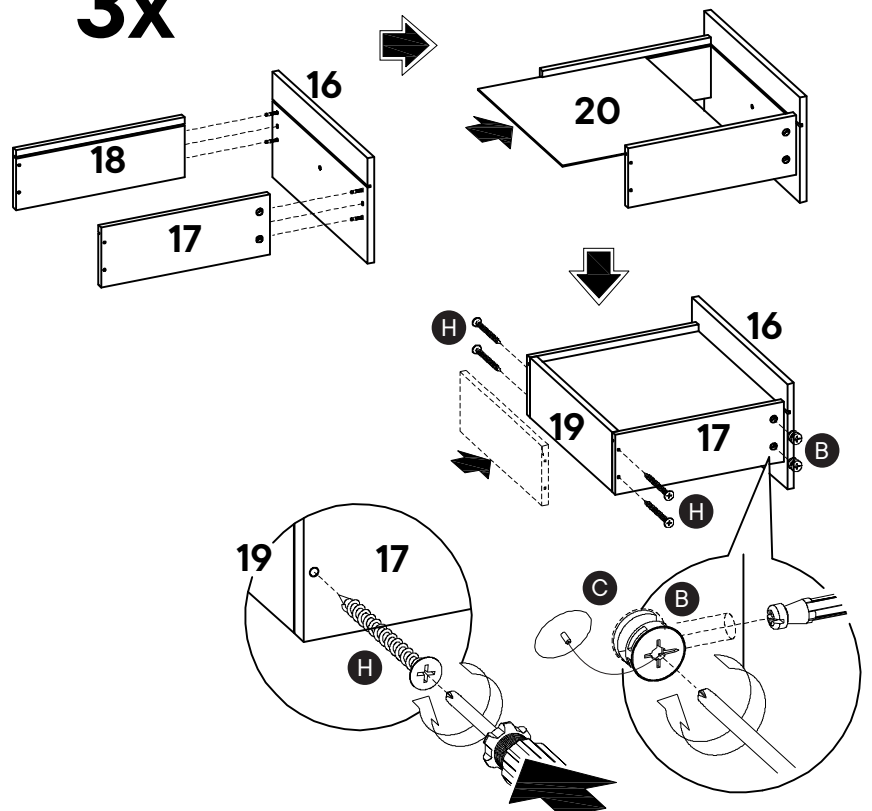
COMPONENTS

16	Front drawer panel	x3
17	Right side drawer panel	x3
18	Left side drawer panel	x3
19	Back drawer panel	x3
20	Bottom drawer panel	x3

HARDWARE

B	Camlock $\varnothing 15$ mm	x12
C	Cover Cap	x12
H	Screw $\varnothing 8 \times 37$ mm	x12

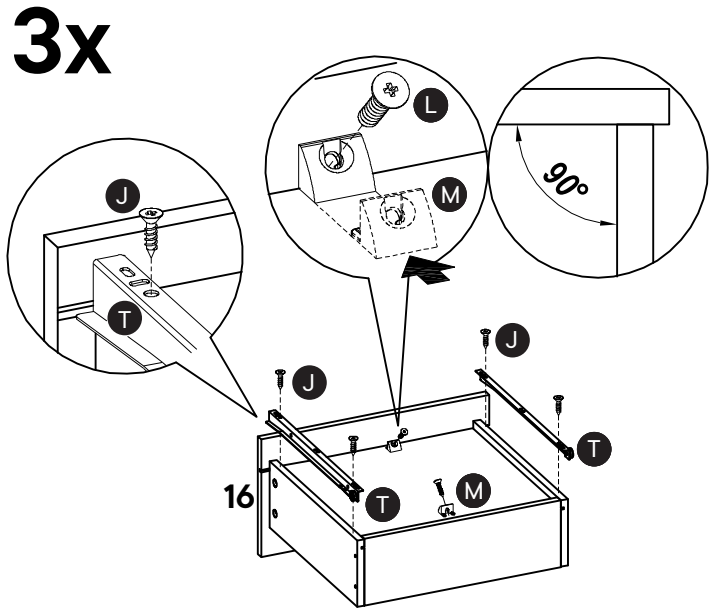
3x



Step 19

HARDWARE

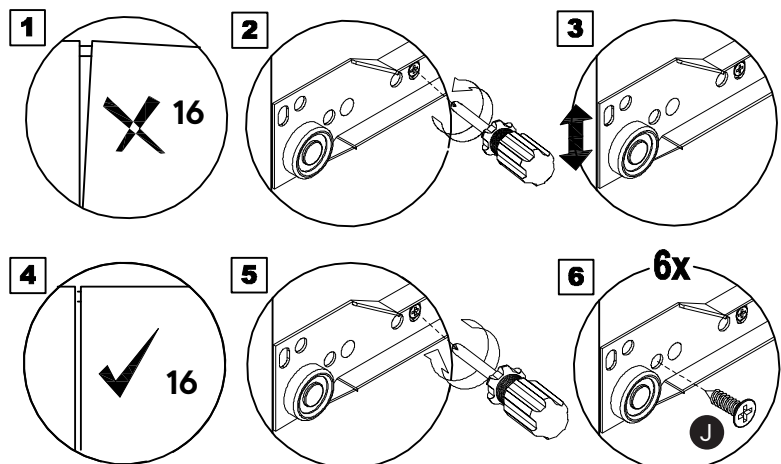
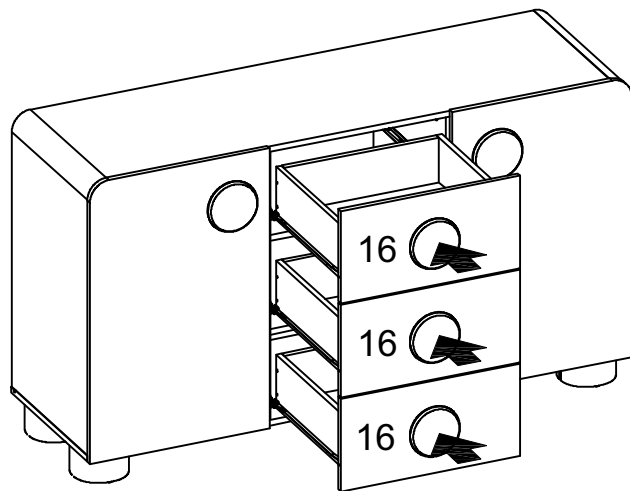
- L** Screw $\varnothing 6 \times 19$ mm x6
- M** Wedge x6
- J** Wood screw $\varnothing 6 \times 12$ mm x12
- T** Running drawer B (L/R) x3



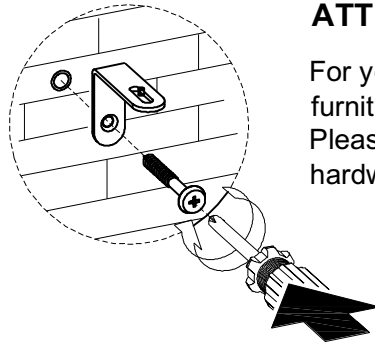
Step 20

HARDWARE

- J** Wood screw $\varnothing 6 \times 12$ mm x6

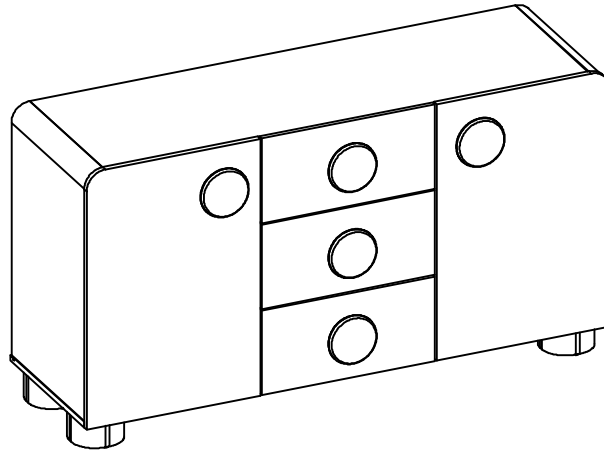


Step 21



ATTENTION

For your safety it is imperative to fix your furniture to the wall.
Please source the right wall mounting hardware according to the nature of wall.



Great job!

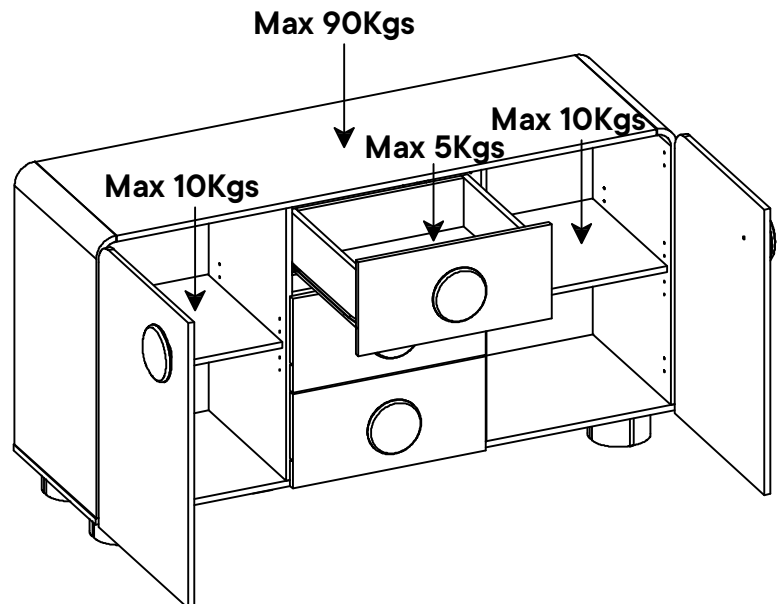
Your Sideboard is complete.

♥ CARING FOR YOUR ITEM

Depending on use, it may be necessary to tighten the hardware from time to time, so please save the tools that have been provided.

Not contract grade.

Clean using a non-abrasive cloth and a mild cleaner.



CONNECT WITH US!   

Tag us @modway_furniture and #modway for a chance to be featured.