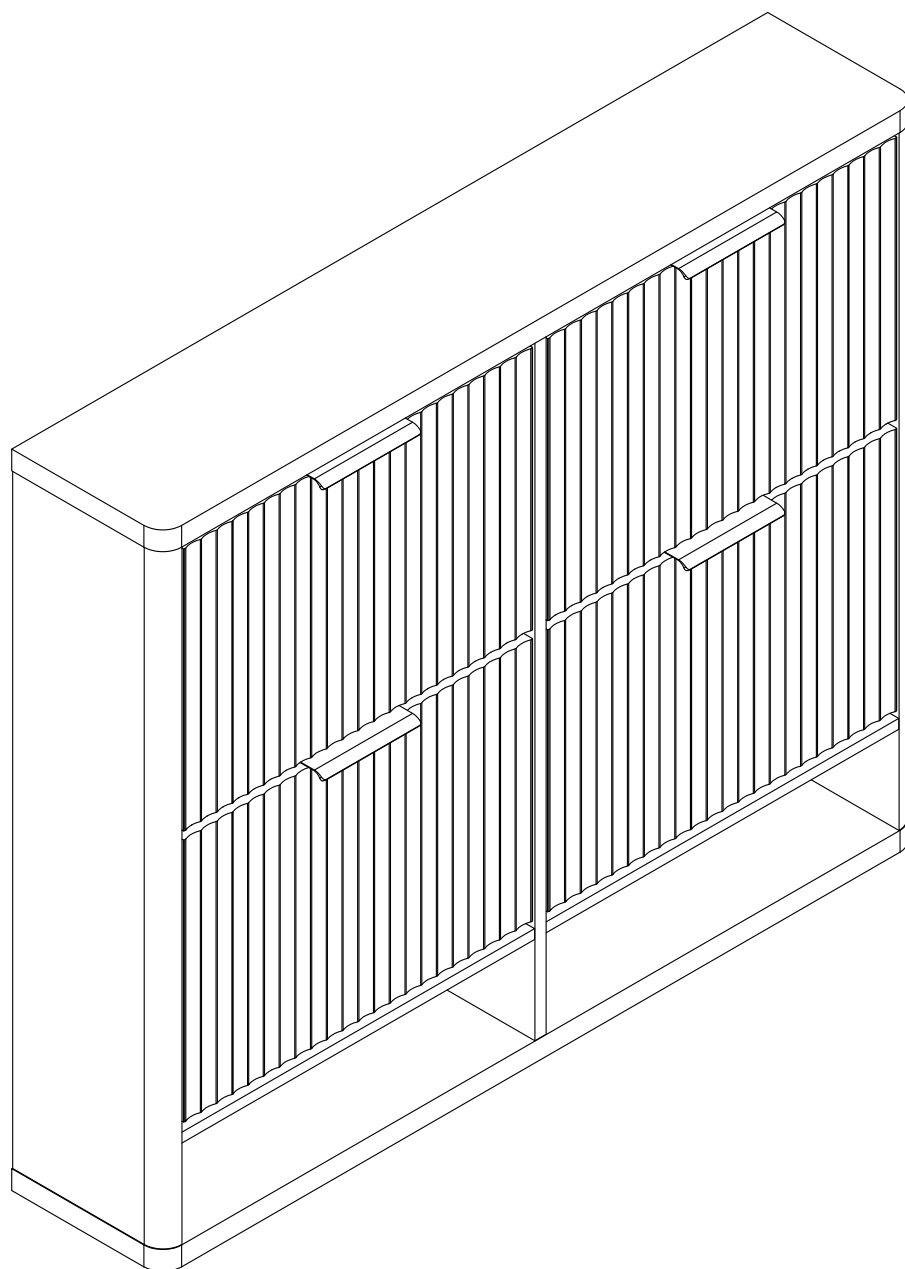
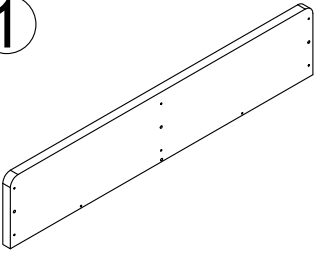
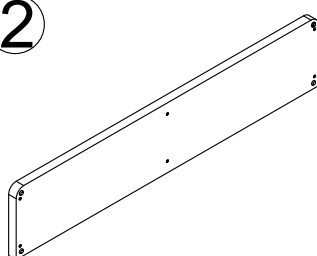
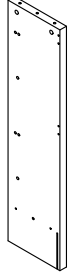


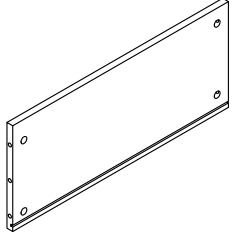
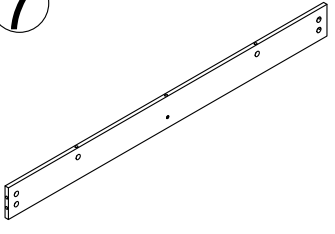
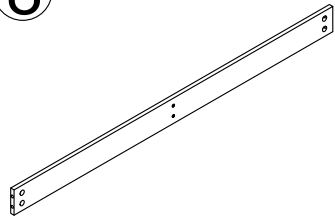
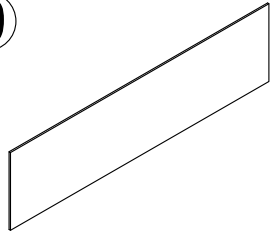
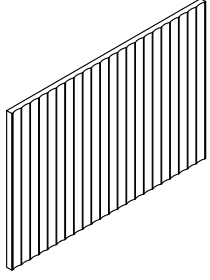
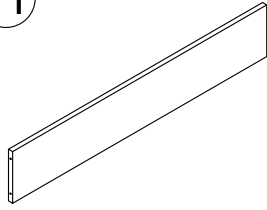
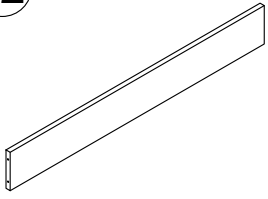
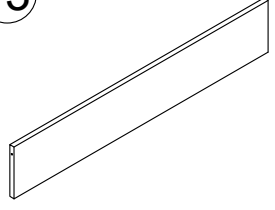



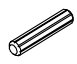



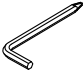

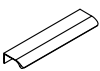

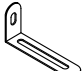

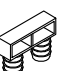






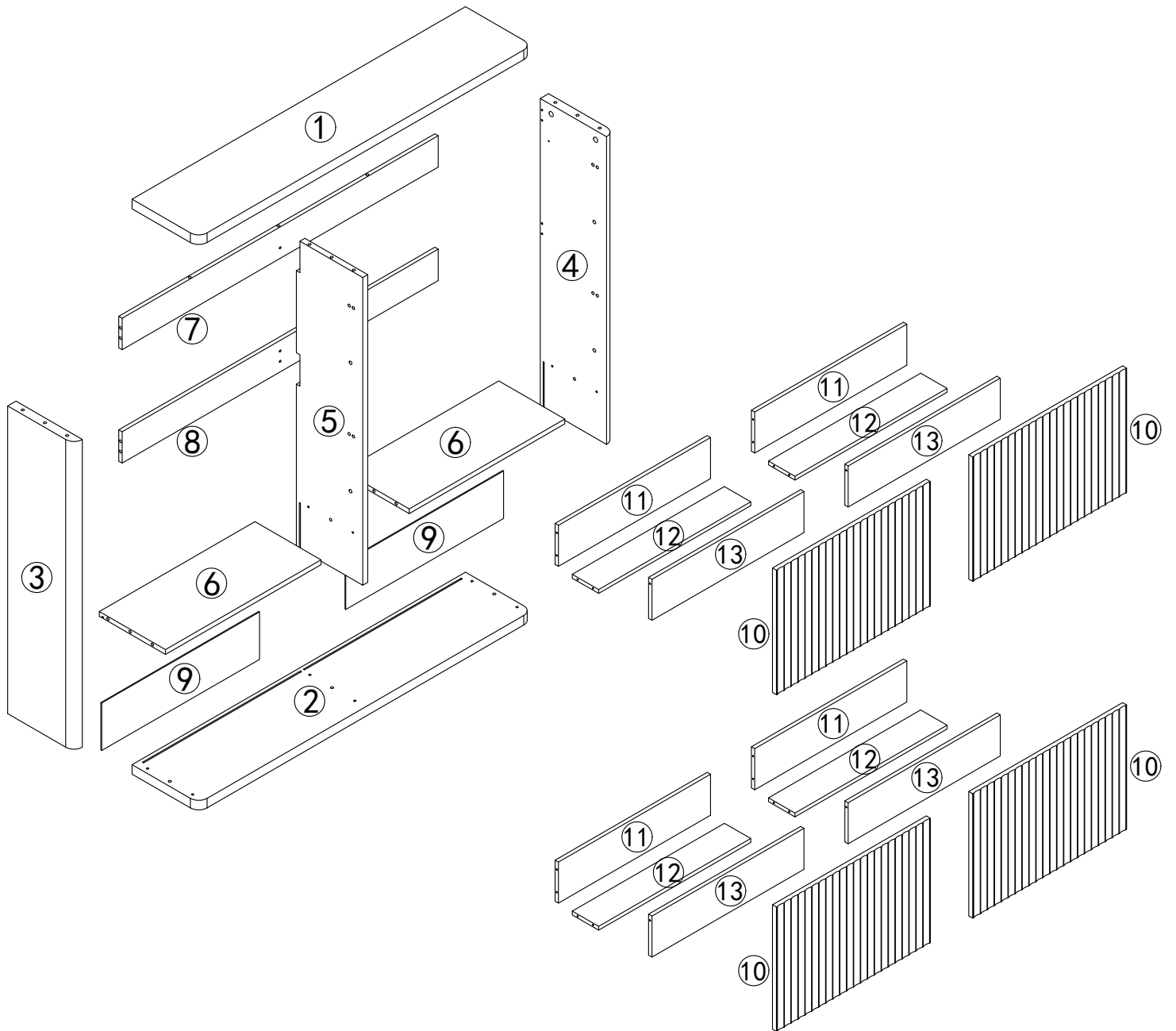


Assembly Instruction

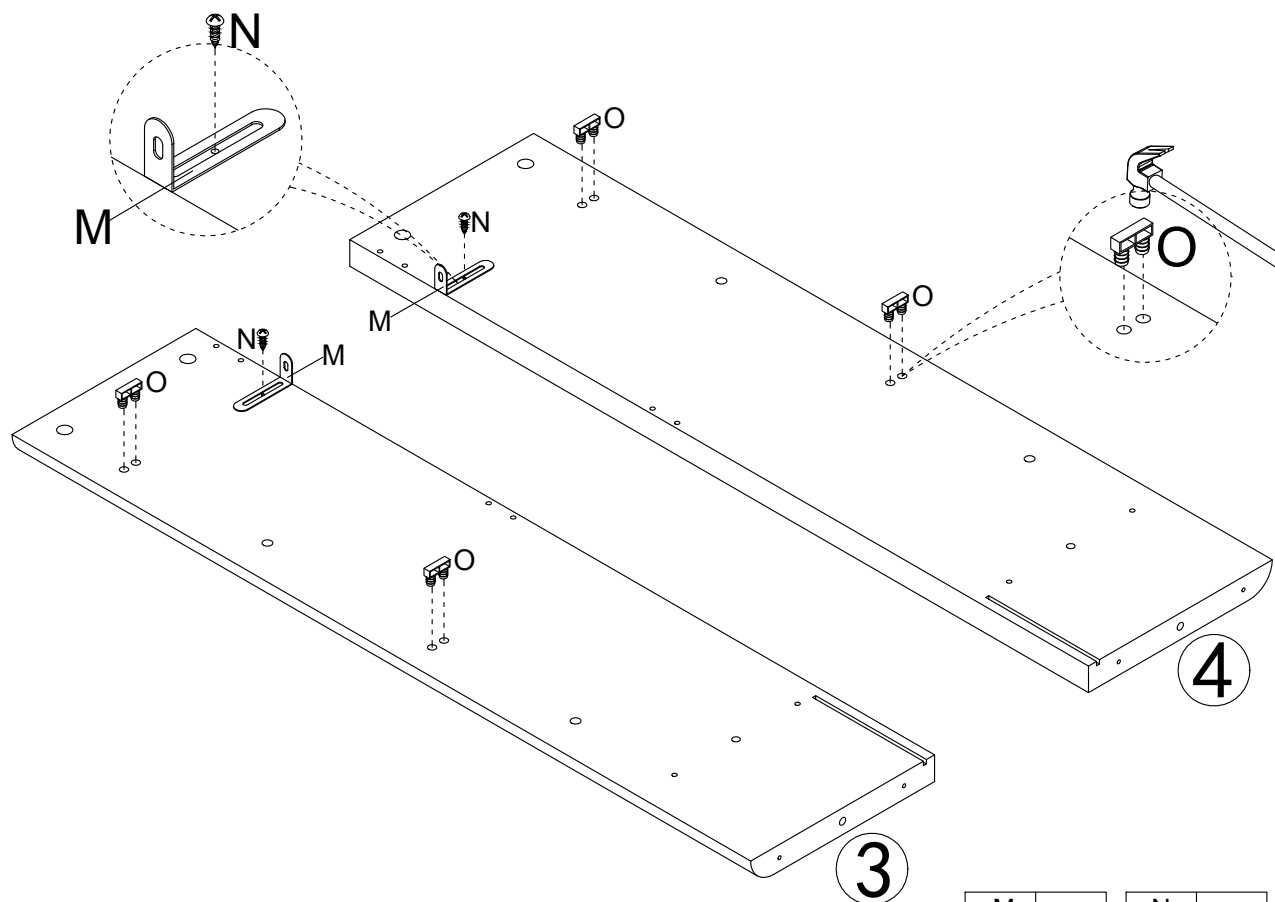





<p>①</p> 	<p>②</p> 	<p>③</p> 	<p>④</p> 
<p>1PC</p>	<p>1PC</p>	<p>1PC</p>	<p>1PC</p>
<p>⑤</p> 	<p>⑥</p> 	<p>⑦</p> 	<p>⑧</p> 
<p>1PC</p>	<p>2PCS</p>	<p>1PC</p>	<p>1PC</p>
<p>⑨</p> 	<p>⑩</p> 	<p>⑪</p> 	<p>⑫</p> 
<p>2PCS</p>	<p>4PCS</p>	<p>4PCS</p>	<p>4PCS</p>
<p>⑬</p> 			
<p>4PCS</p>			

A	X24	B	X24	C	X2	D	X11	E	X8	F	X64	G	X8
													
M6x35mm		Ø15x9mm		M4x35mm		Ø8x30mm		M6x15mm		M3.5x16mm			
H	X1	I	X8	J	X4	K	X3	M	X2	N	X2	O	X8
													
4mm		M3.5x12mm				M5x40mm				M4x12mm			
P	X2	Q	X8	S	X8	T	X6	L	X4	R	X4		
													
Ø6x30mm		M3x16mm				M5x50mm							

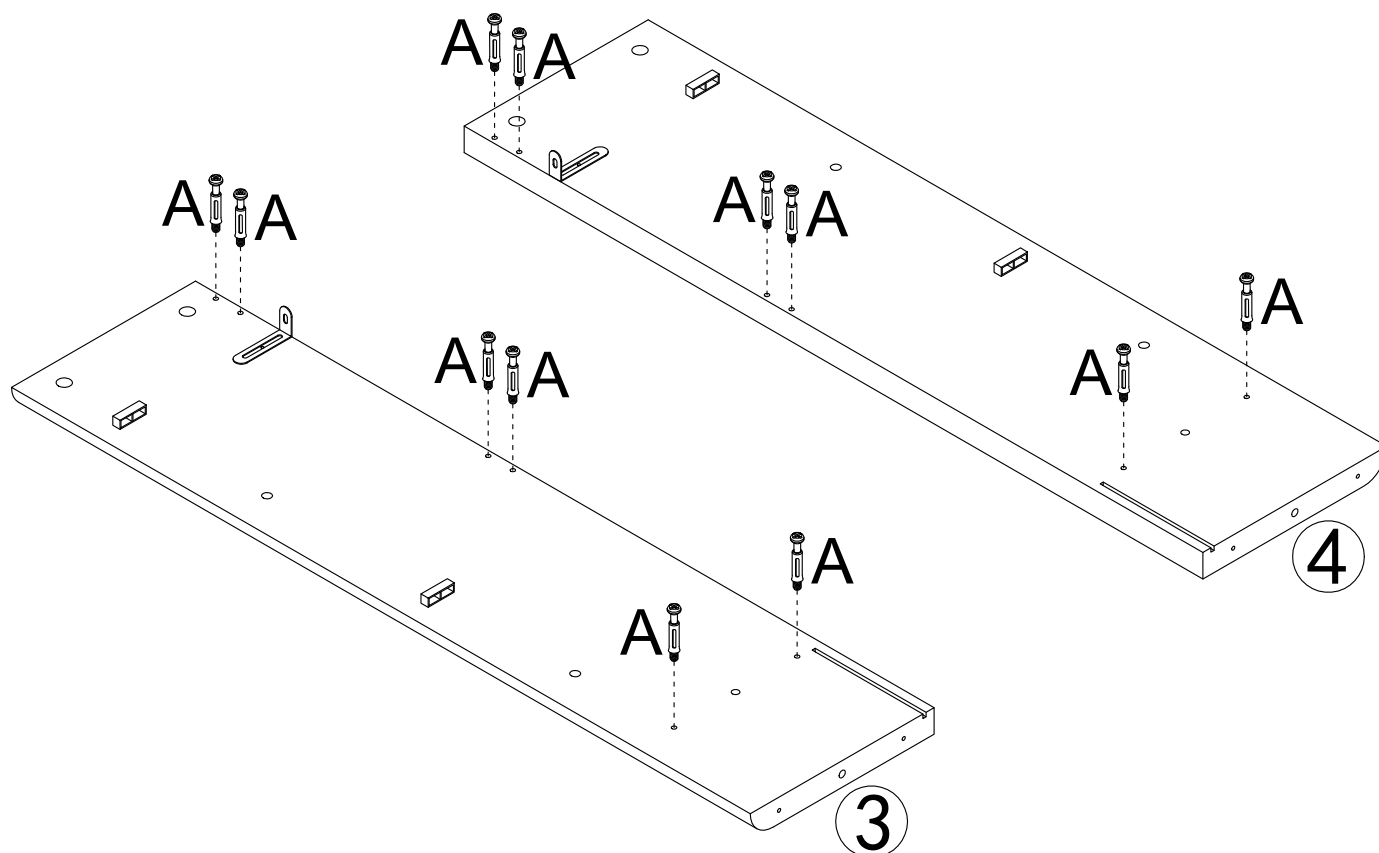



Step 1



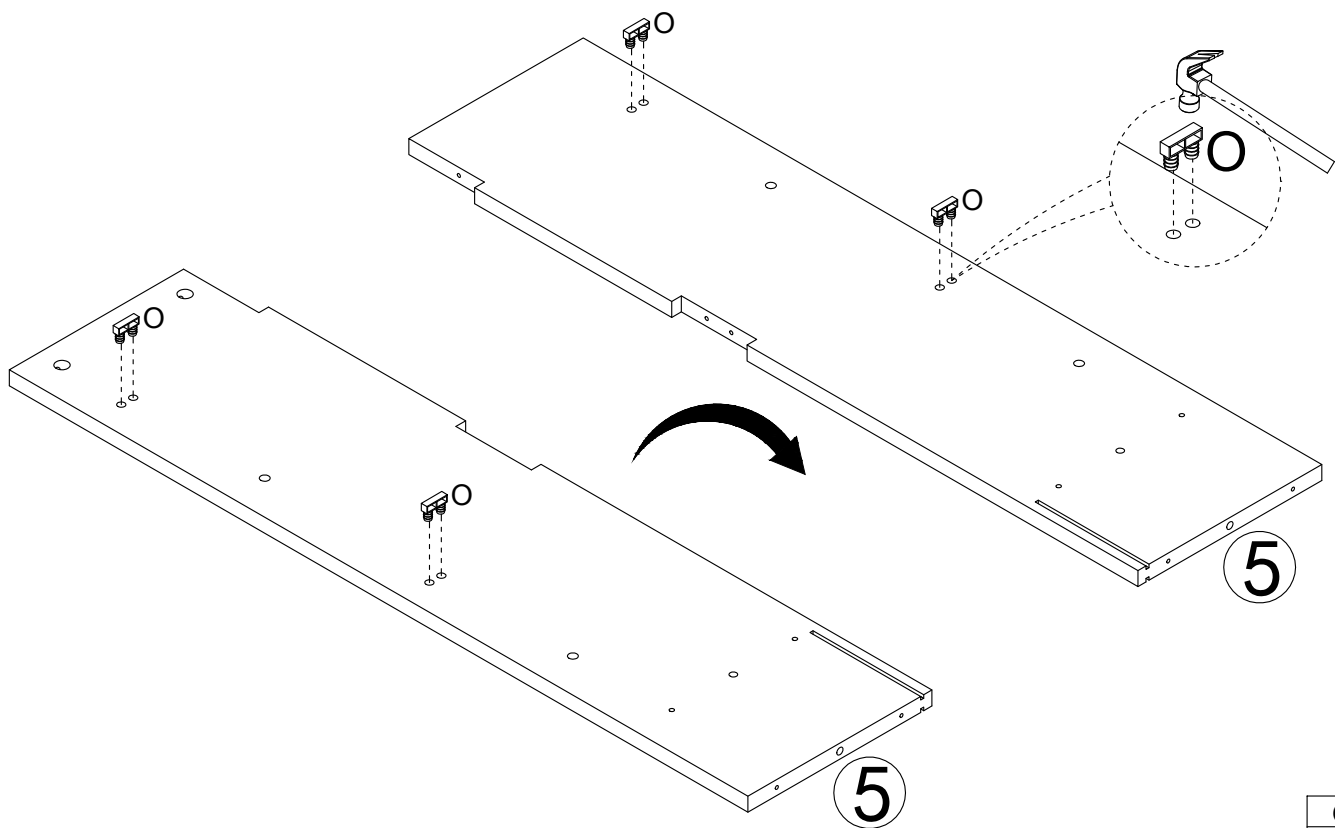
M	X2	N	X2	O	X4
					
		M4x12mm			


Step 2



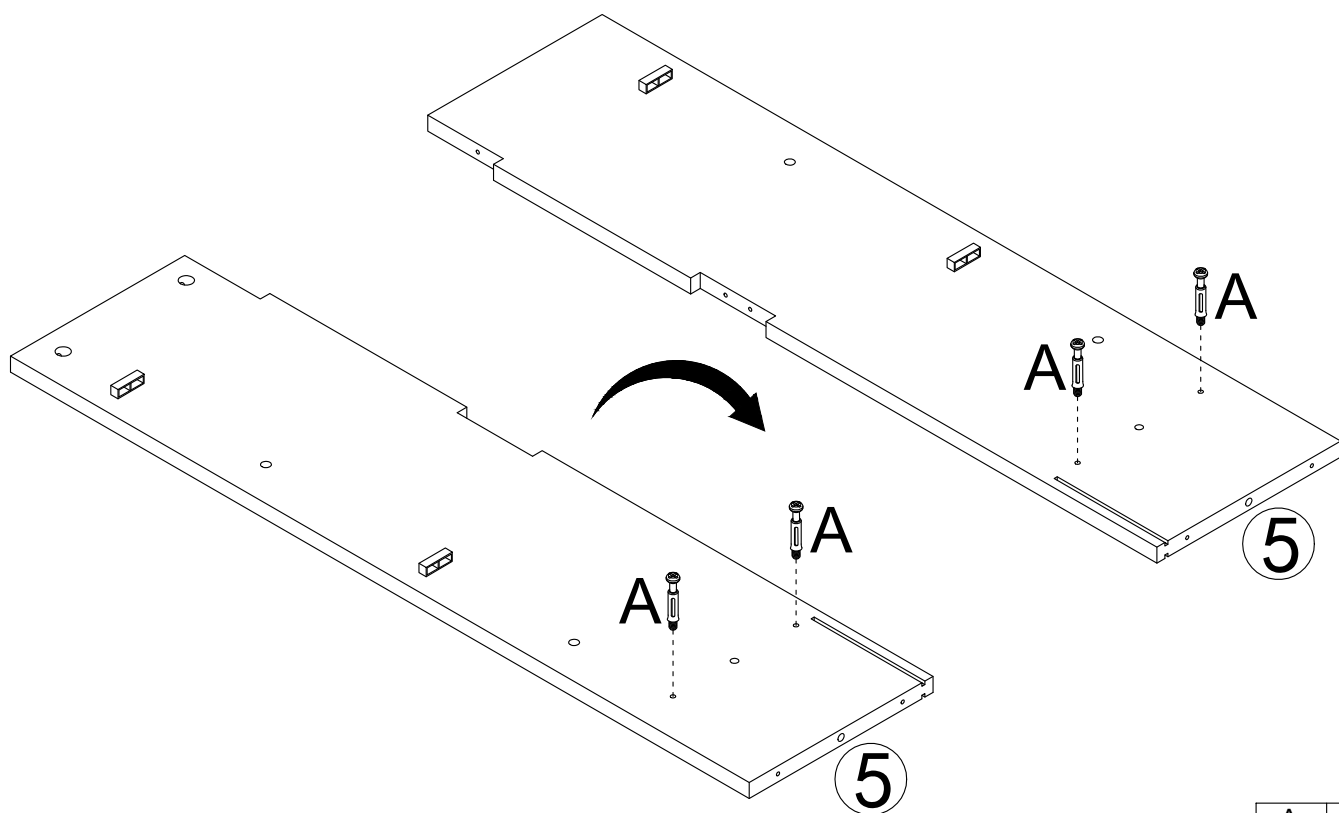
A	X12
	
M6x35mm	


Step 3



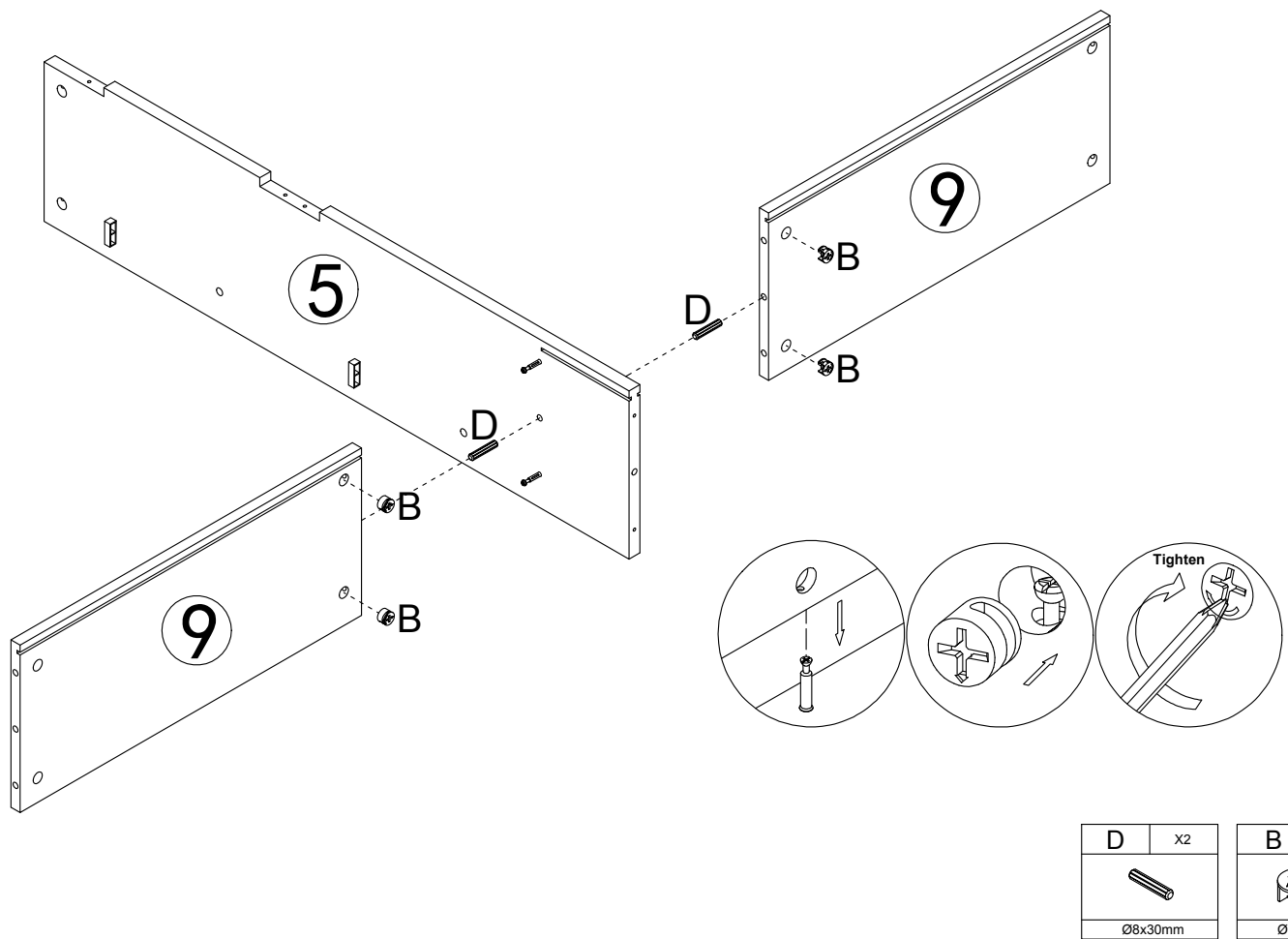
O	x4
	

Step 4

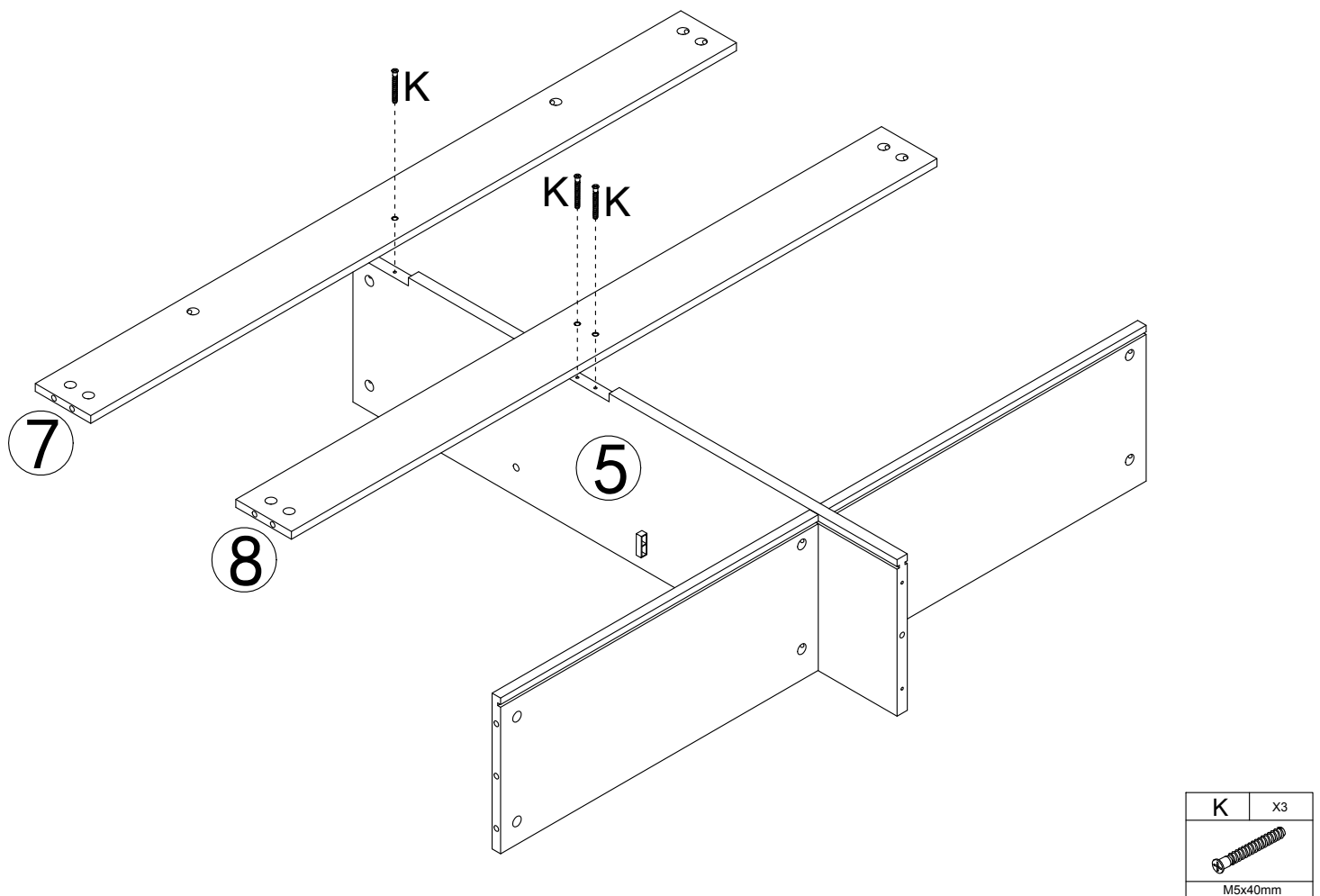


A	x4
	
M6x35mm	

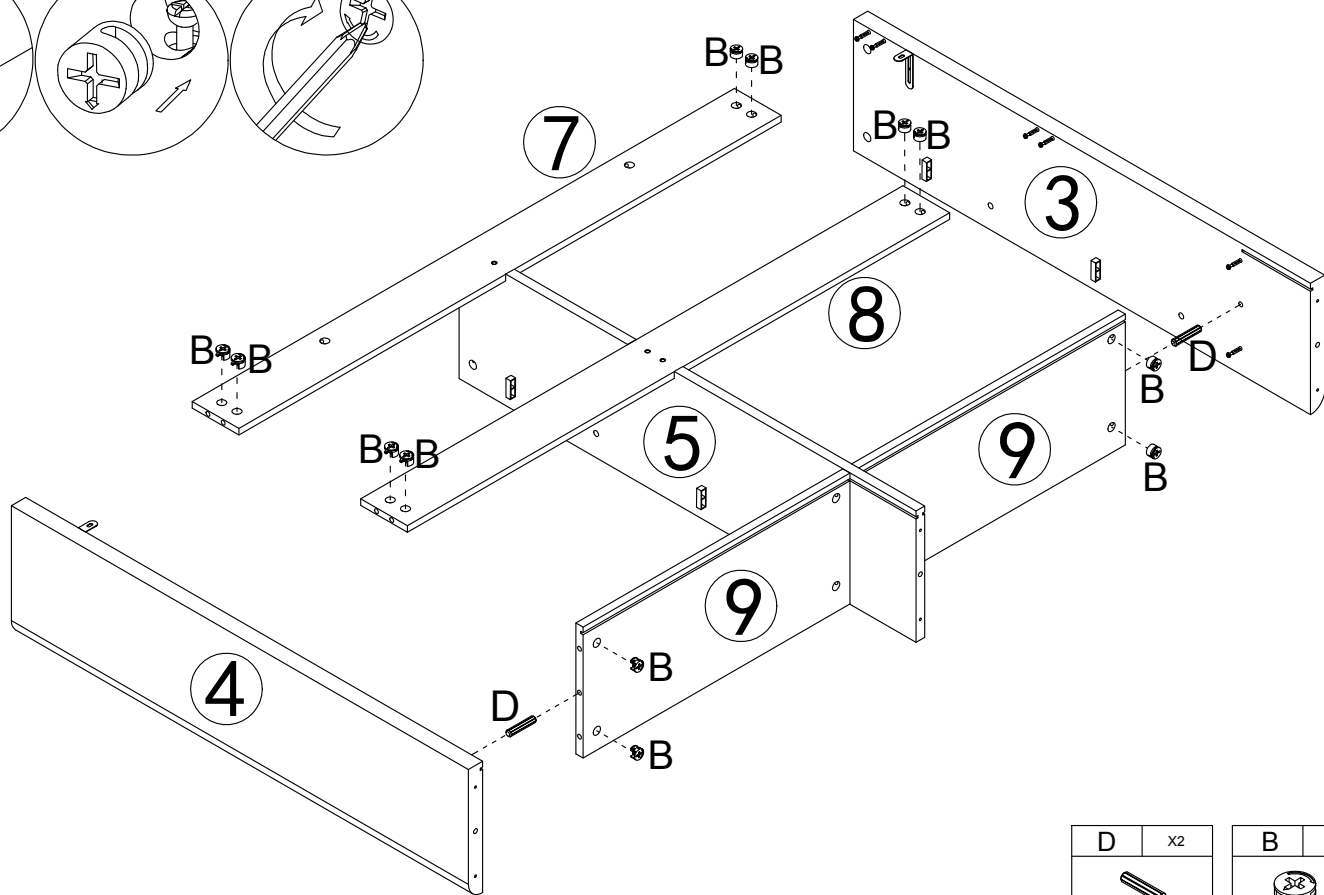
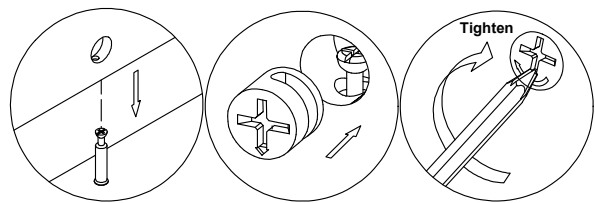
Step 5



Step 6

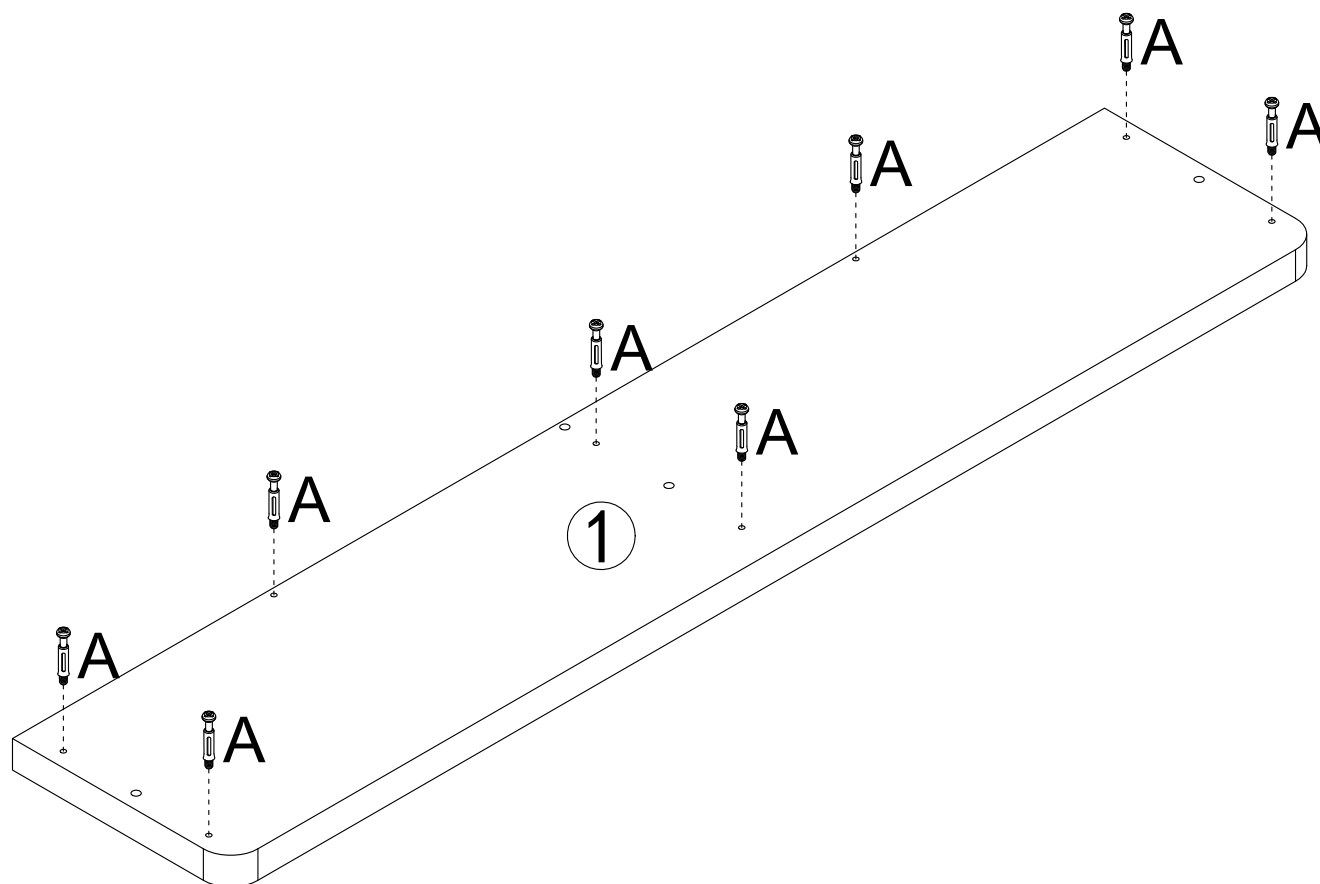


Step 7



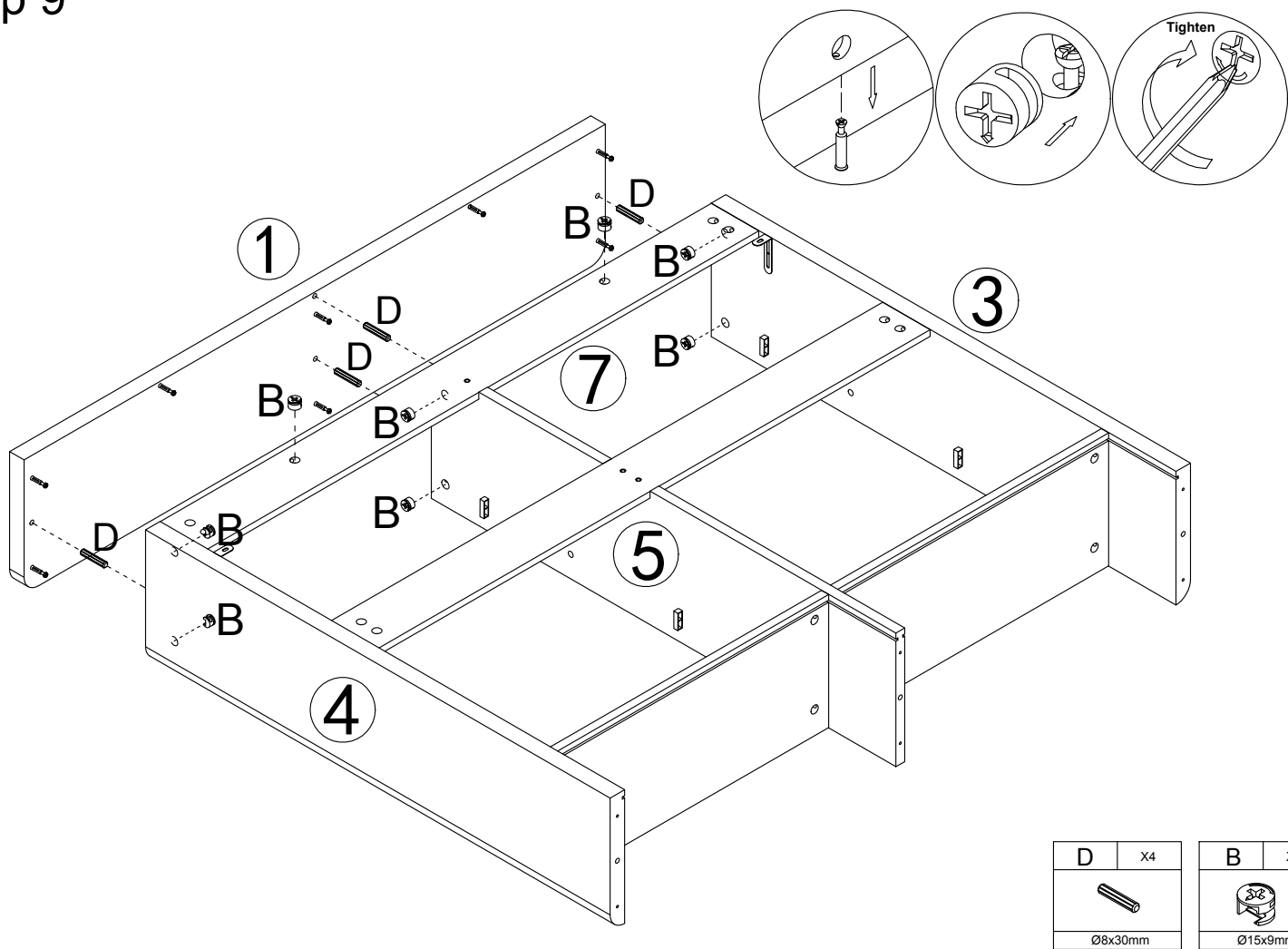
D	x2	B	x12
Ø8x30mm		Ø15x9mm	

Step 8

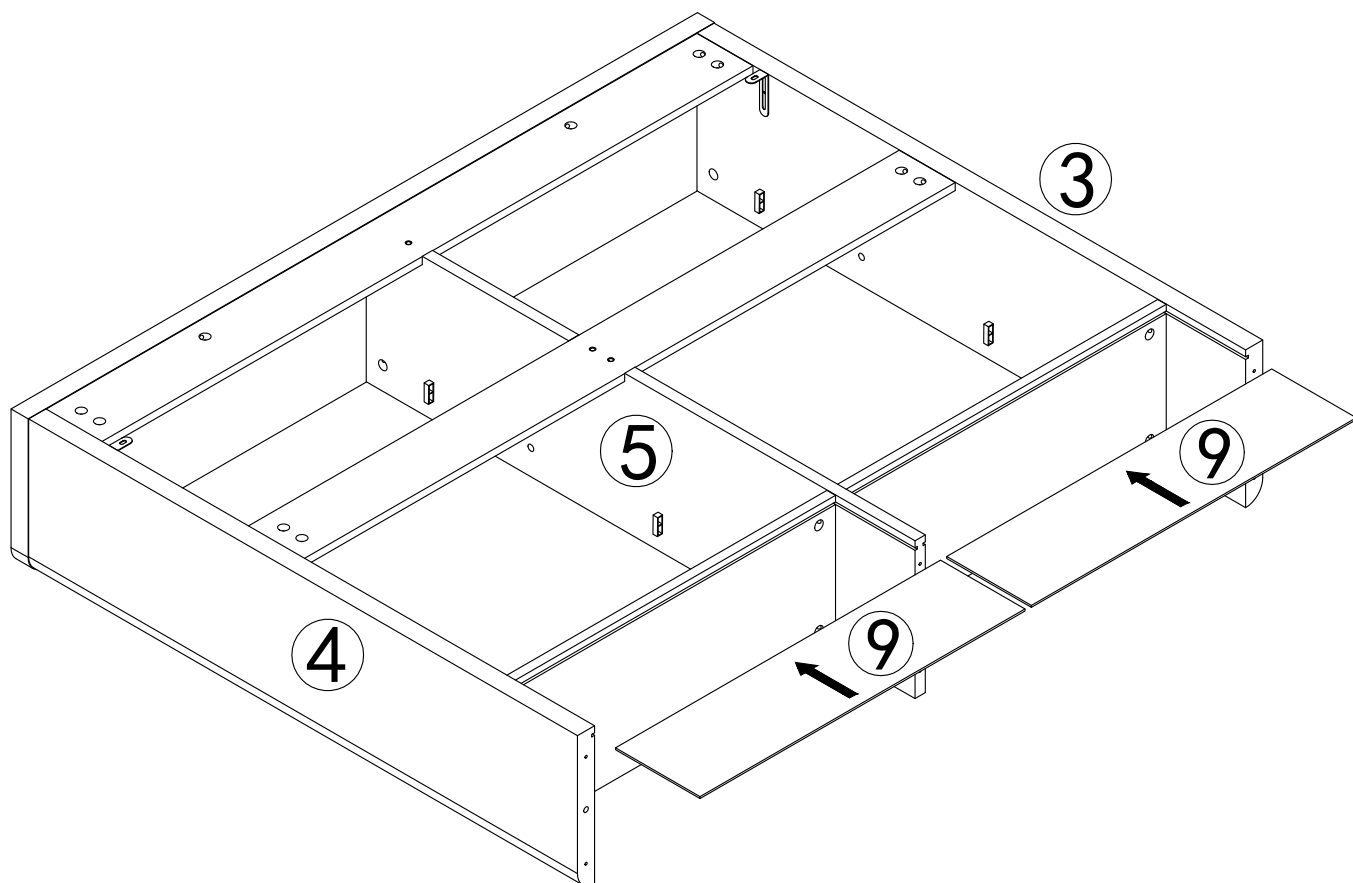


A	x8
M6x35mm	

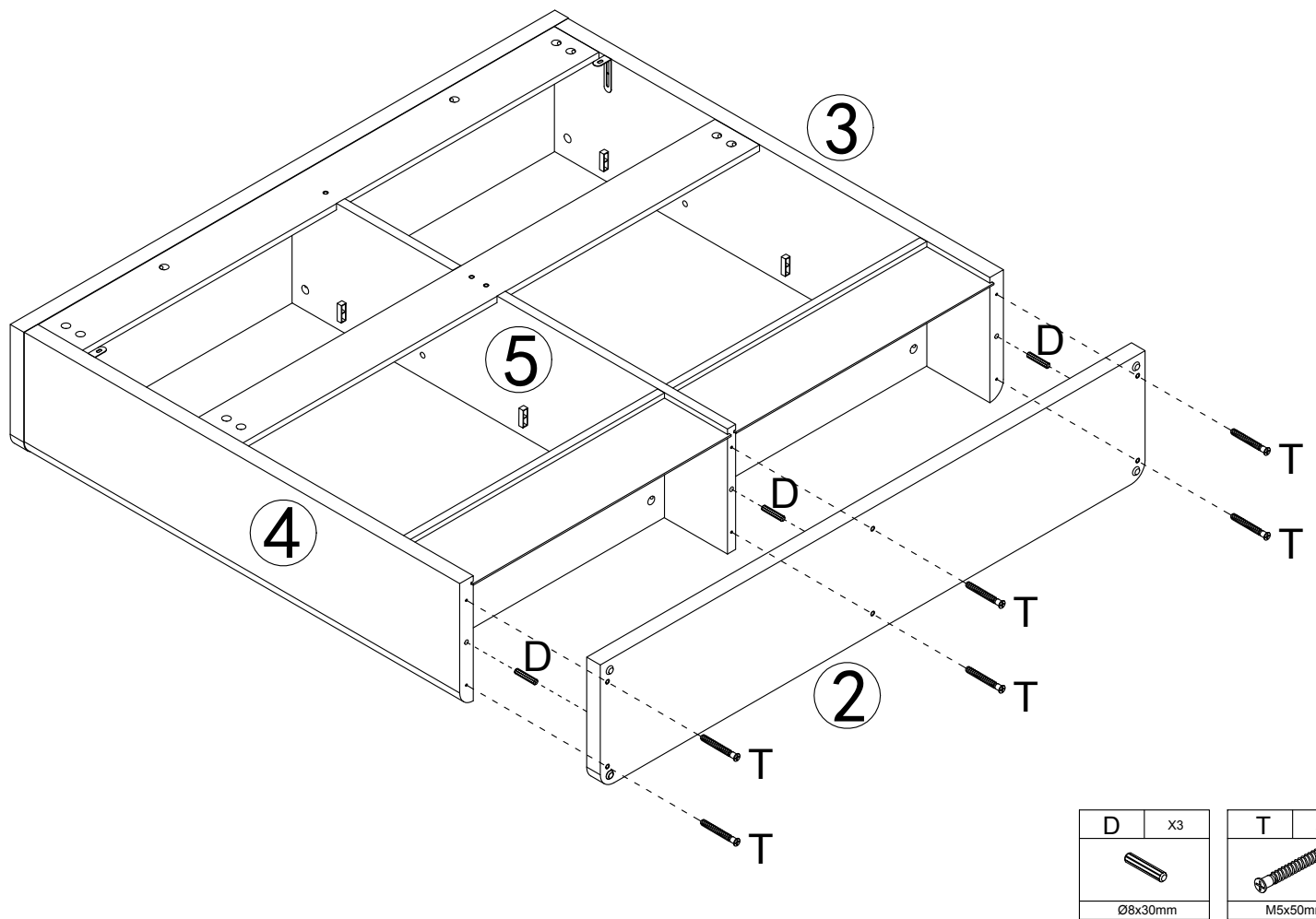
Step 9



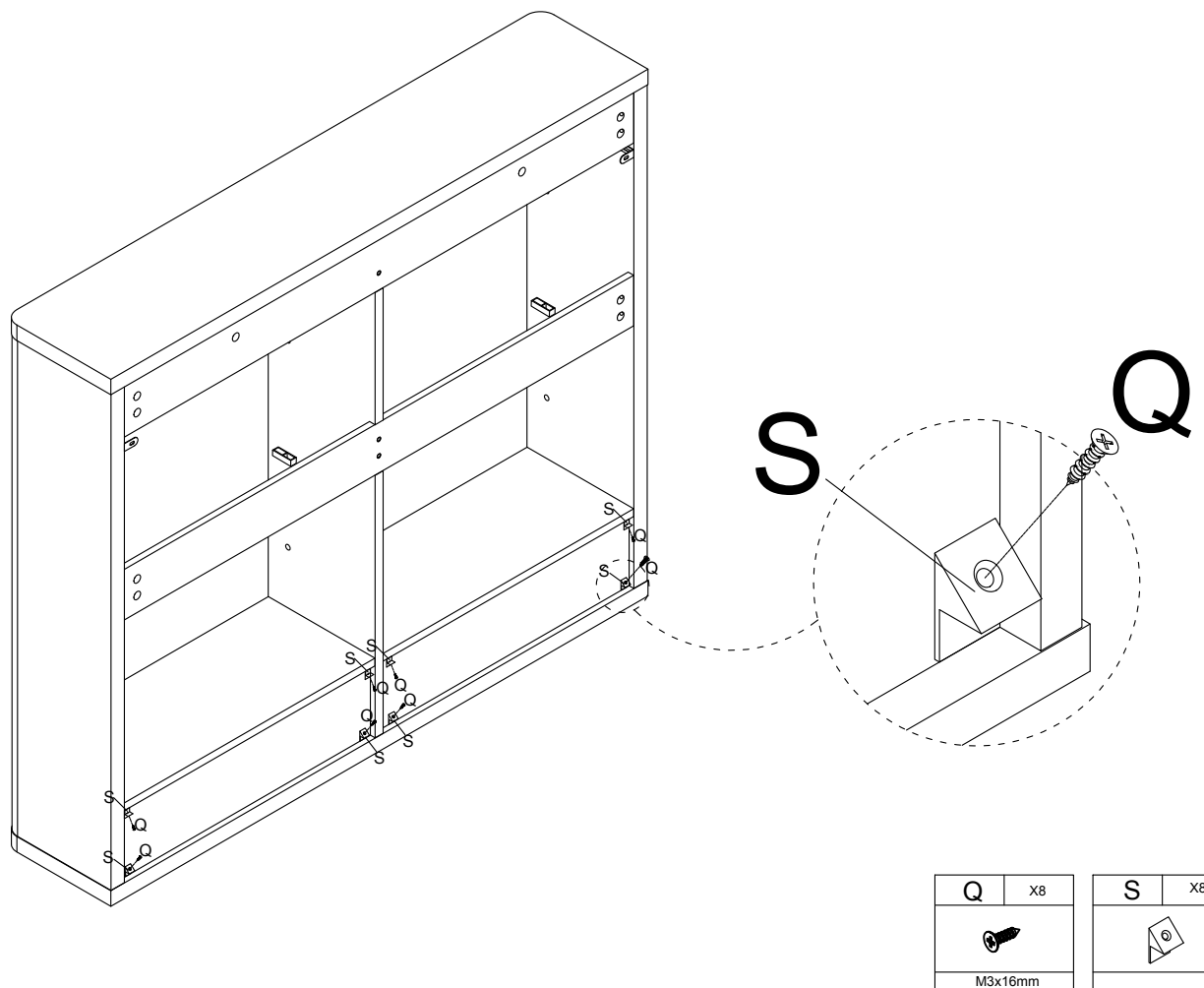
Step 10



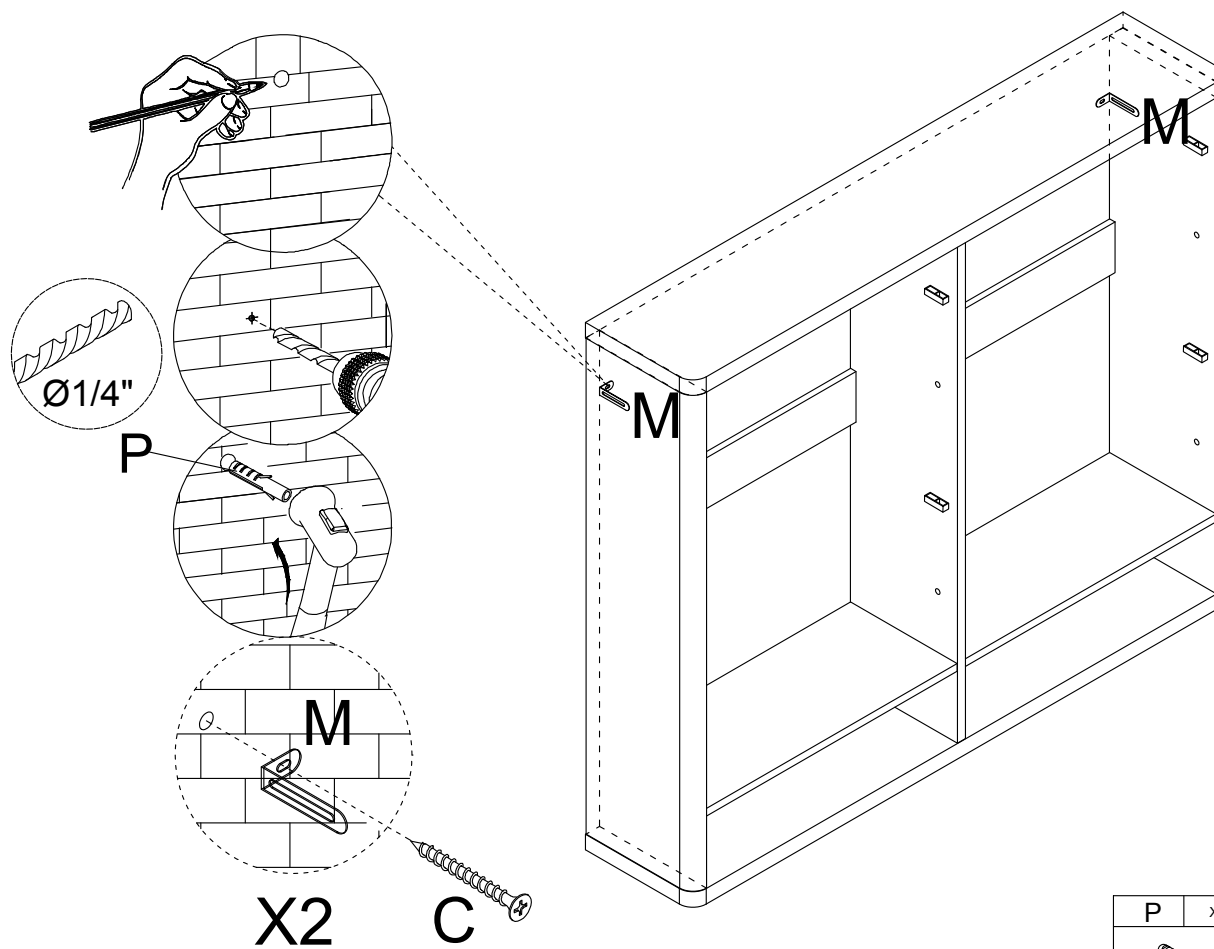
Step 11



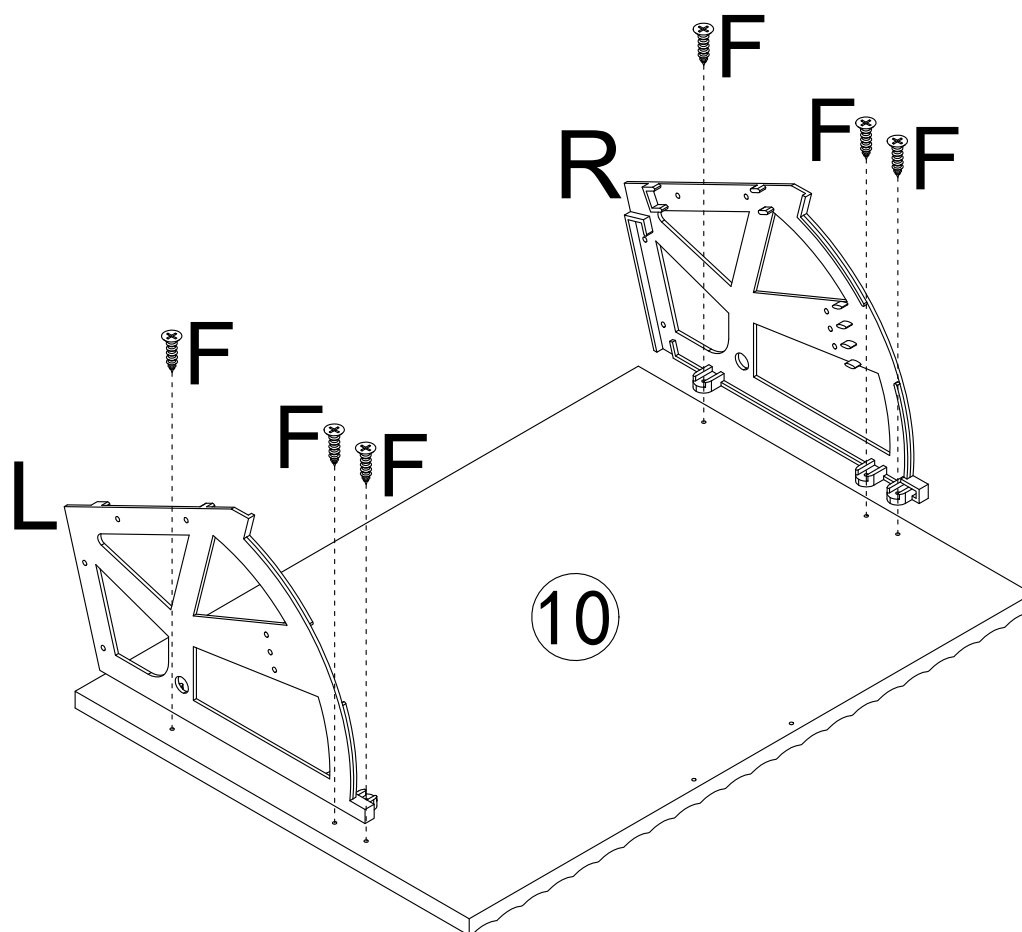
Step 12




Step 13



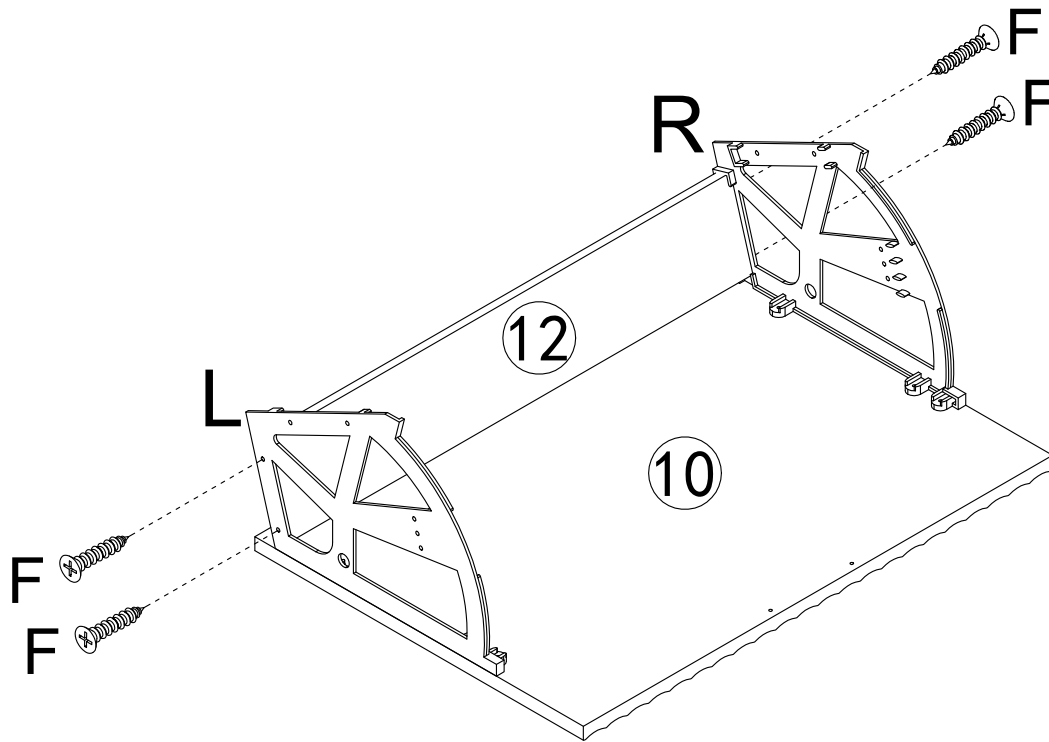
Step 14




X4

F	x24
	
M3,5x16mm	

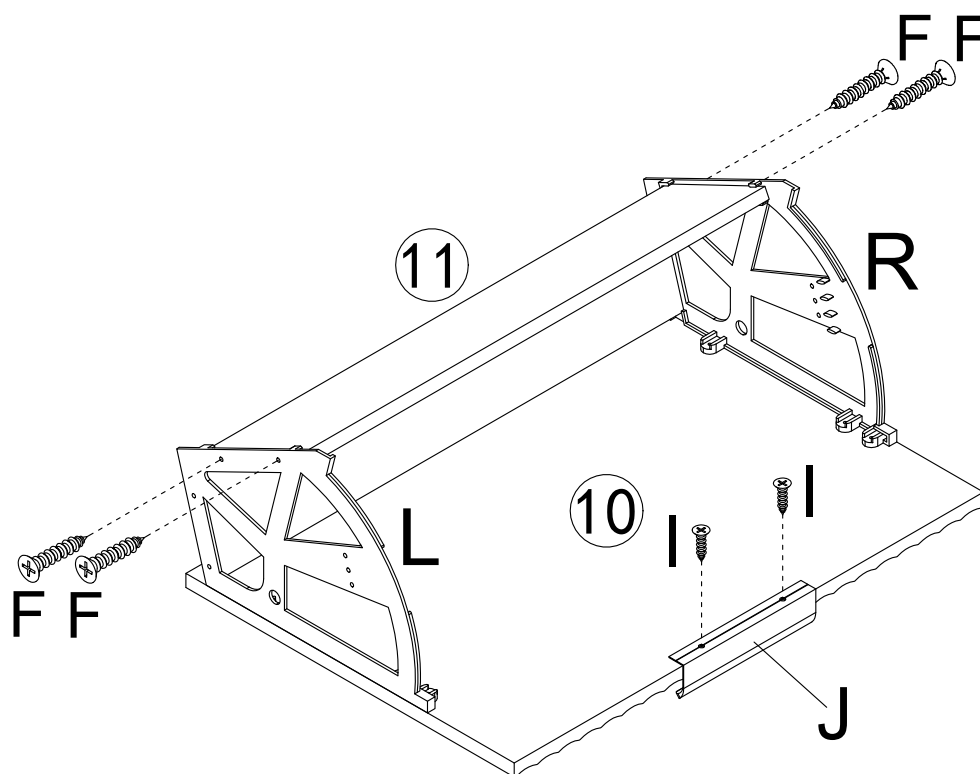
Step 15



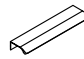


X4

F	x16
	
M3.5x16mm	

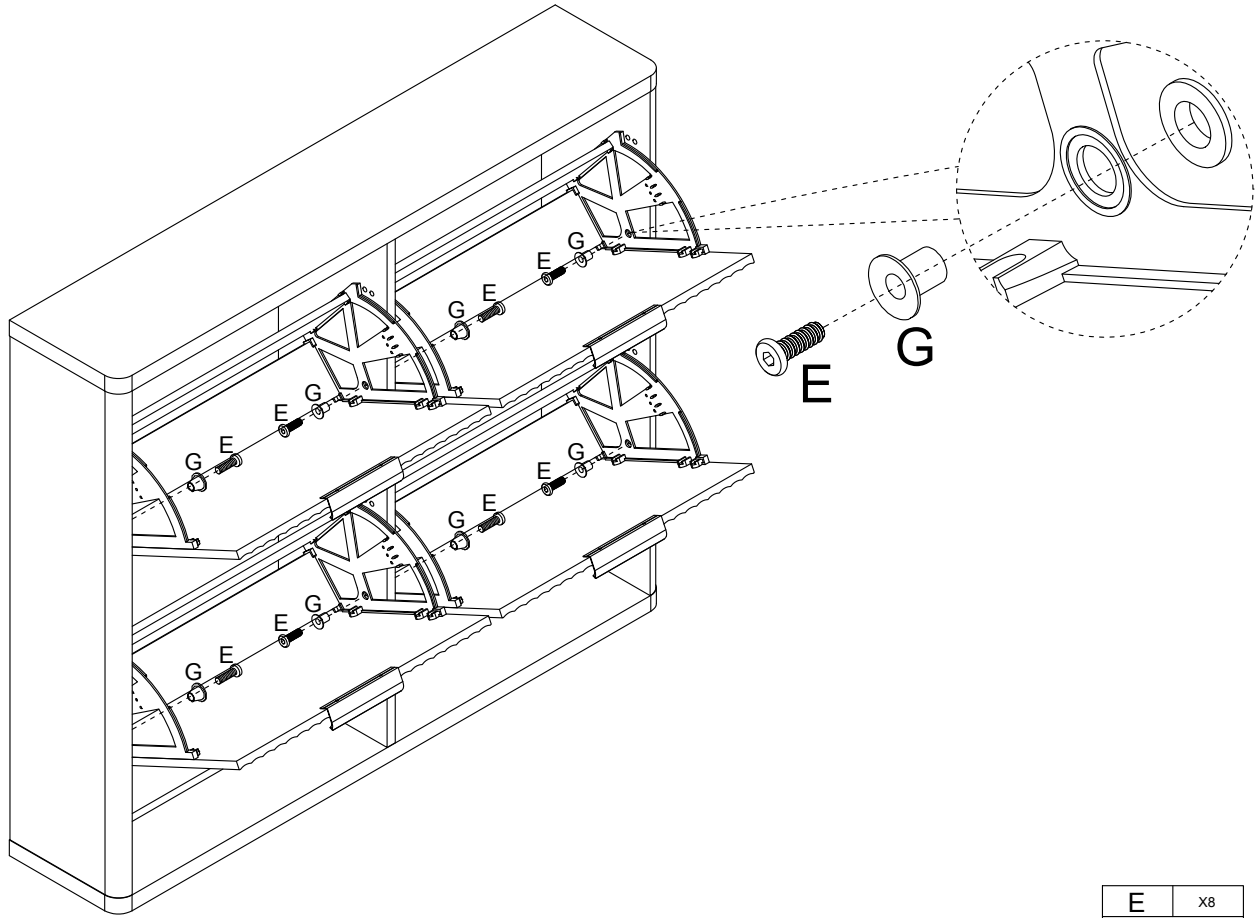
Step 16





X4

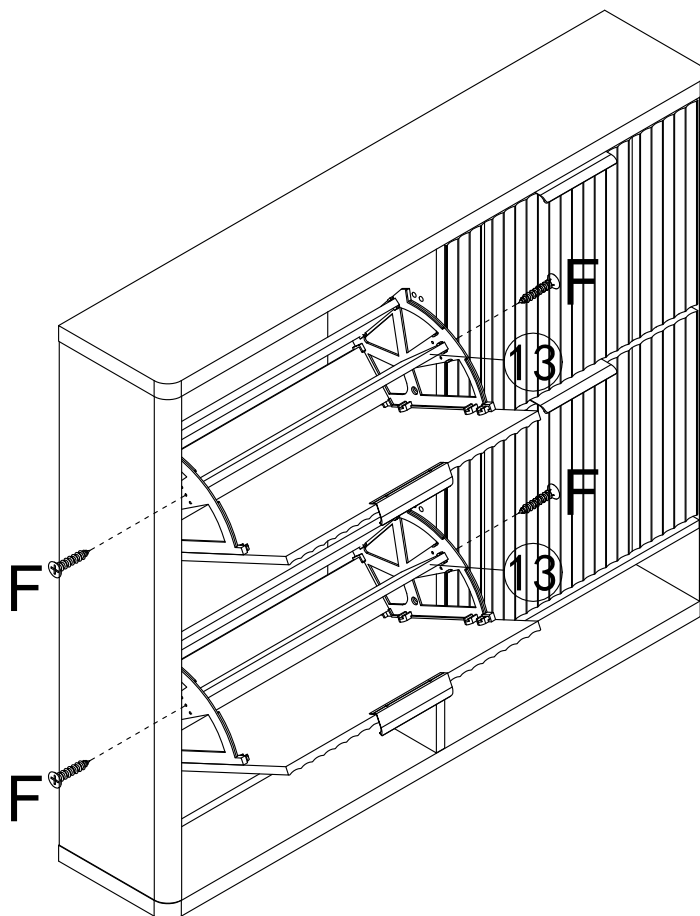
J	x4	I	x8	F	x16
					
M3.5x12mm		M3.5x16mm			


Step 17



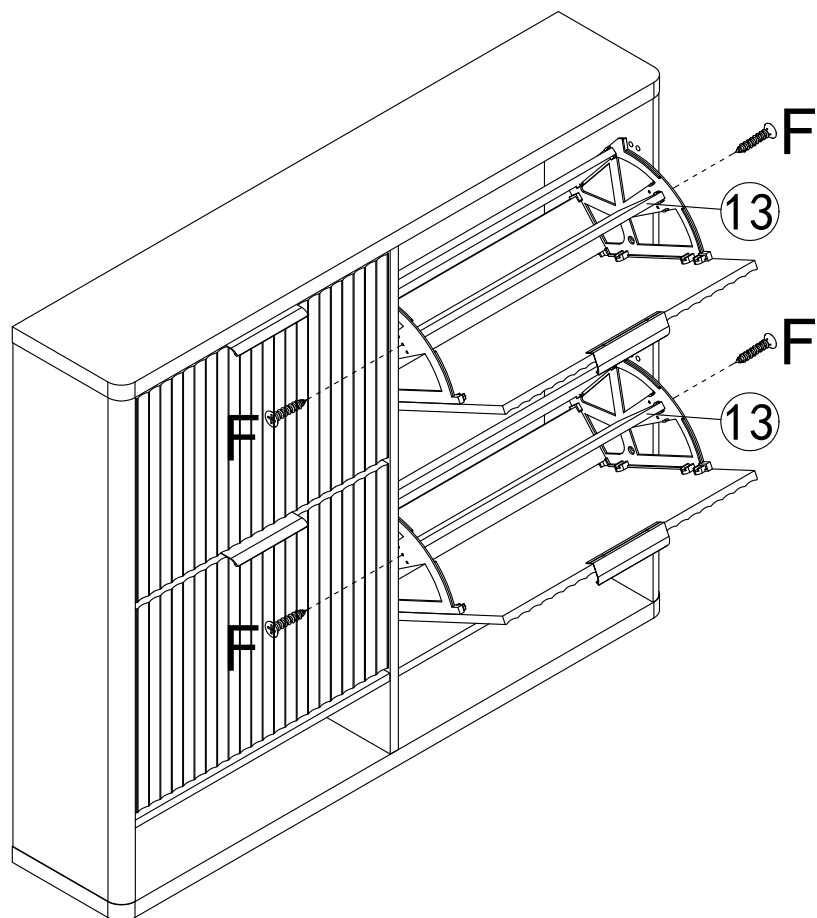
E	x8	G	x8
			
M6x15mm			


Step 18



F	x4
	
M3,5x16mm	

Step 19



F	x4
	
M3.5x16mm	

Step 20

