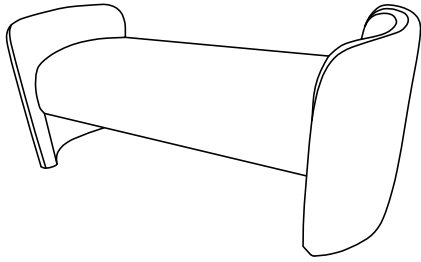


# ASSEMBLY INSTRUCTIONS



## + Do Not Use PowerTools



## + Suggested Adults



### NOTE:

- 1 Read instructions cover to cover.
- 2 Save all packaging until assembly is completed.

## 1 IMPORTANT SAFETY INFORMATION

**Do not** assemble the product if any of the following parts arrived damaged:

**Part ①** Seat frame

**Part ②** Arm

**Do not** assemble if any of the following Hardware parts are missing:

**Part A** Bolt 5/16"\*2-1/4"

**Part B** Flat washer 5/16"

**Part C** Spring washer 5/16"

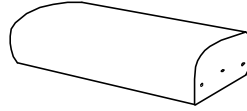
**Part D** Allen wrench 5/16"

## 2 IMPORTANT ASSEMBLY INFORMATION

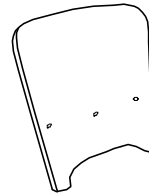
**Assembly Step** If loosening persists, Please make sure to tighten all the bolts periodically, or use a thread locker adhesive.

## + Parts Included

① Seat frame 1PC



② Arm 2PCS



## + Hardware Included

A Bolt 5/16"\*2-1/4"  
6PCS

B Flat washer 5/16"  
6PCS



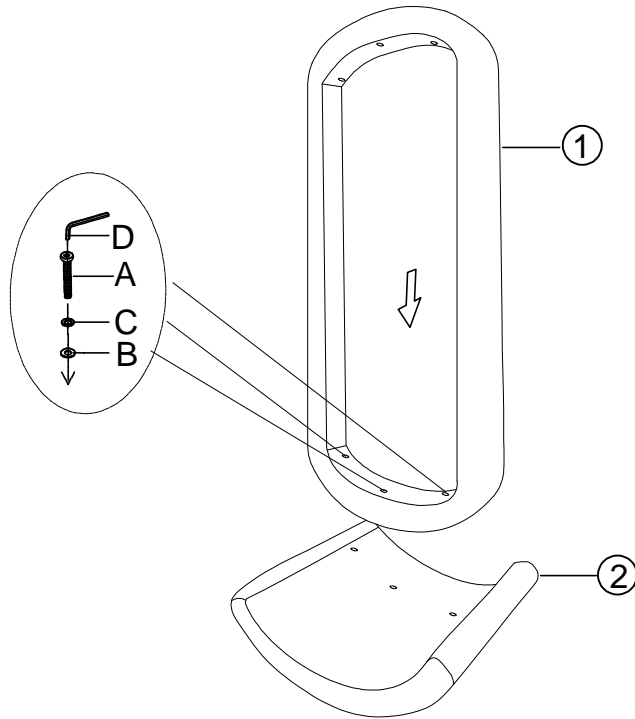
C Spring washer 5/16"  
6PCS

D Allen wrench 5/16"  
1PC



# ASSEMBLY INSTRUCTIONS

1



2

