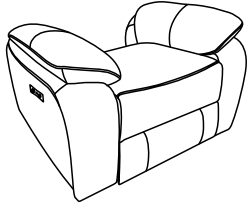
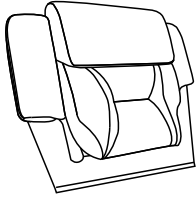
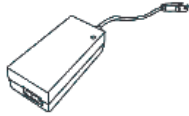
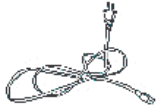


ASSEMBLY INSTRUCTION

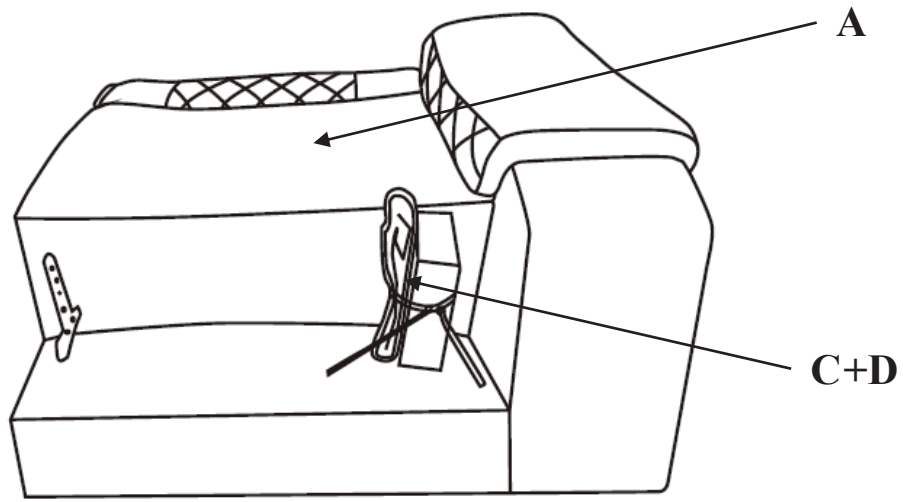
POWER RECLINING CHAIR

NOTE: Do not use power tools for assembly. Power tools increase the risk of over tightening which leads to splitting or cracking the wood

COMPONENT LIST

NO.	DRAWING	QTY	DESCRIPTION
A		1	SEAT
B		1	BACK REST
C		1	ADAPTOR
D		1	PLUG WITH WIRE

STEP# 1

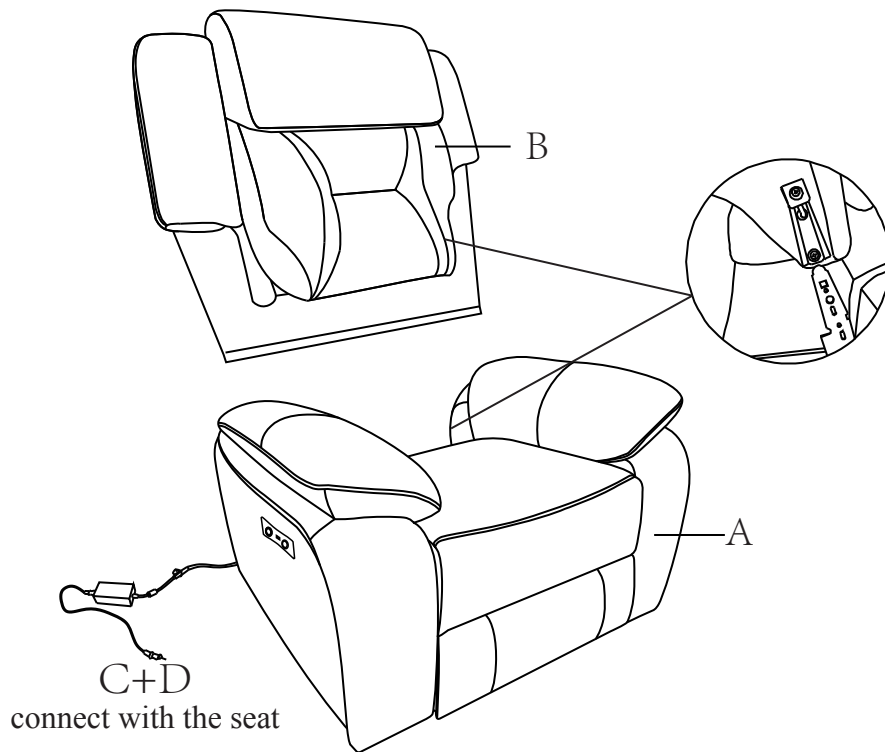


STEP# 2

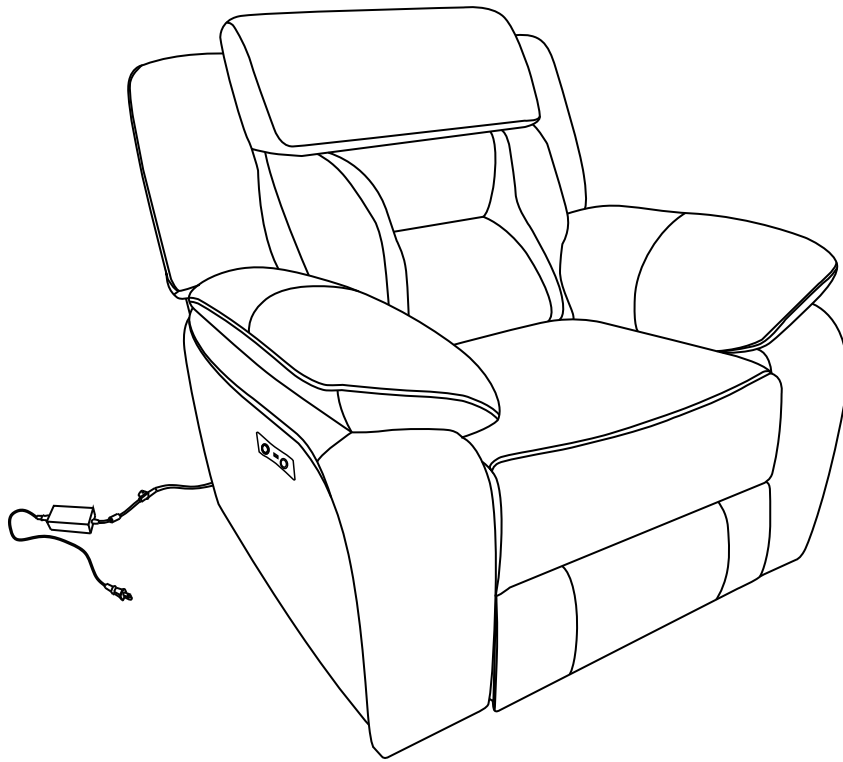
Attach LSF Back Rest(B) and RSF Back Rest(D) to the Seat (A).

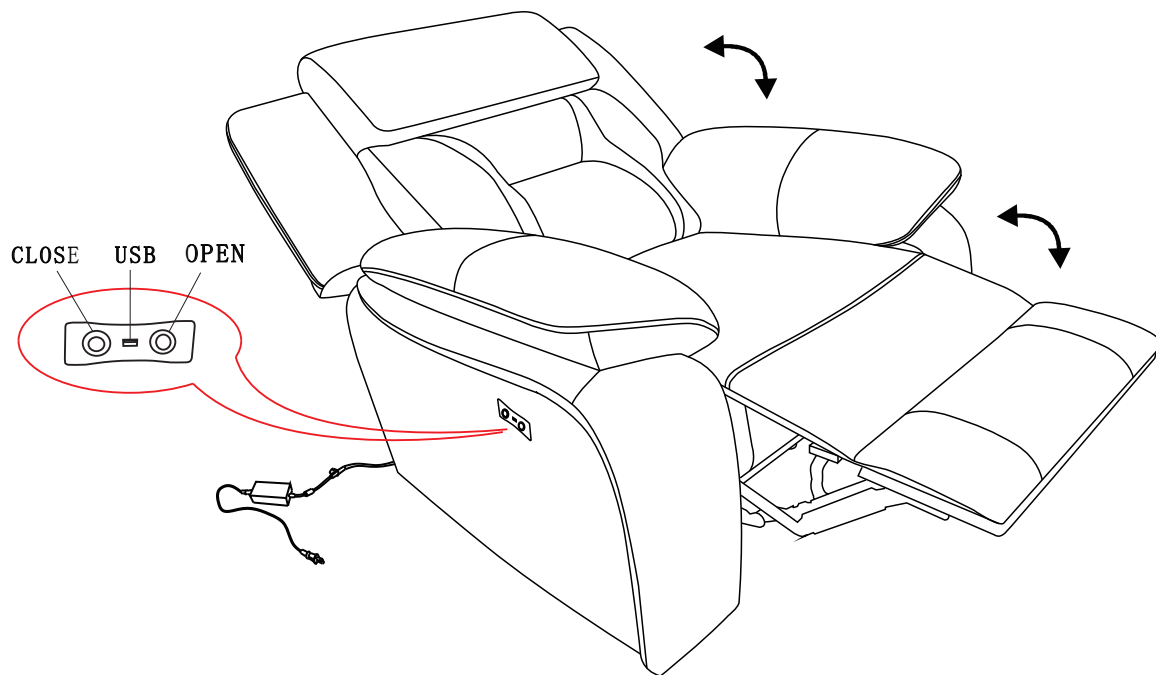
STEP# 3

Attach Middle Back Rest (C) to the seat(A) .



STEP#4 Completed





Care Instruction for Leather air Furniture.

In order to maintain the original appearance of your leather airfurniture, please follow below simple care procedures:

- Avoid exposing furniture directly to sunlight or heating and air conditioning outlets. Sunlight and/or exposure to heating and air conditioning outlets will fade/damage leather air.
- Do not place your upholstered furniture too close to windows, radiators, or vents and be sure to use window, radiators, or vents.
- Vacuum or wipe with a soft brush to remove dust.



For items used on wooden floor, hard surfaces or carpets, it is recommended to install protective pads under all legs supports to avoid/prevent from damages/scratches discoloration.

Warning

Do not allow electrical cord to be pinched between moving parts or between the frame and the floor. Do not place cord under carpet or in location where it could become worn.