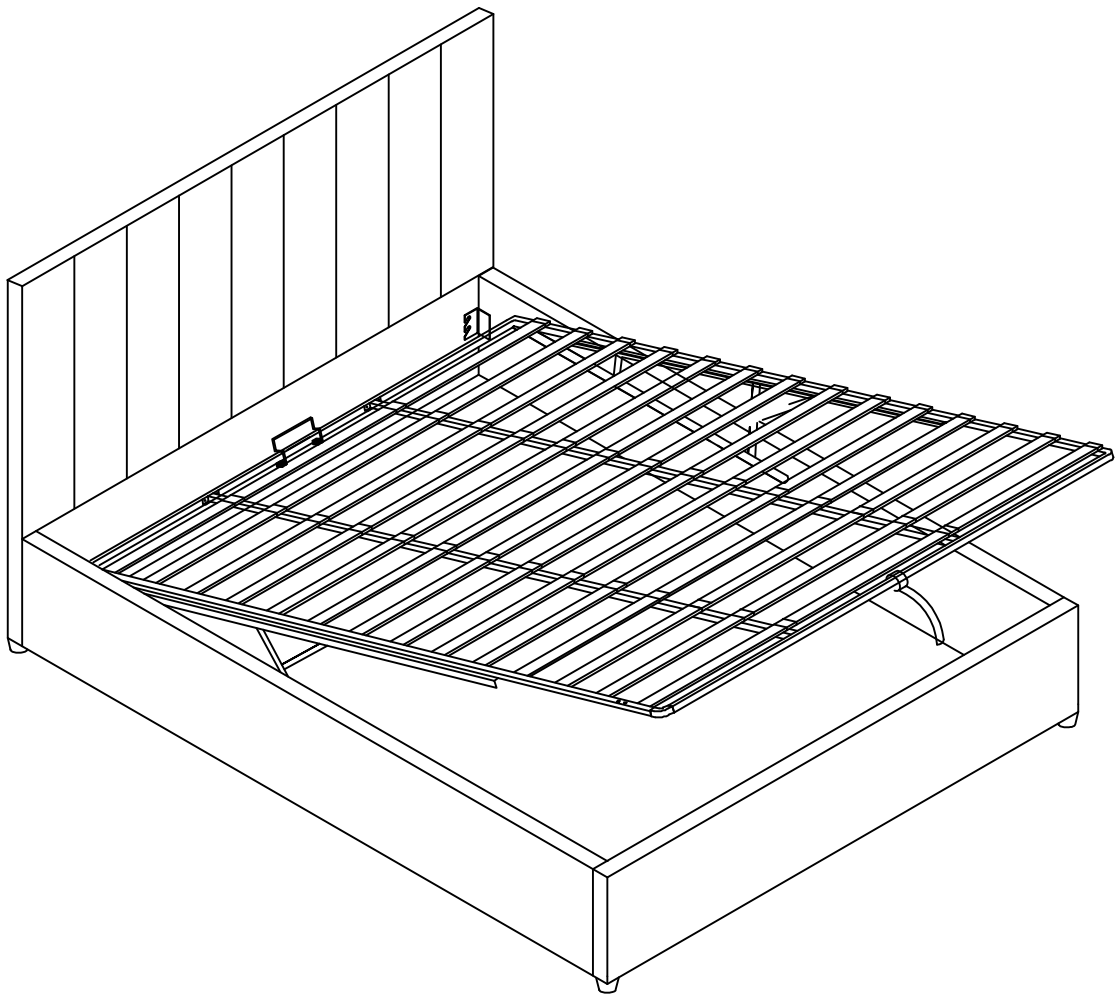
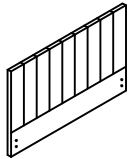
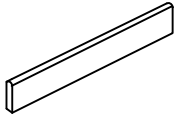
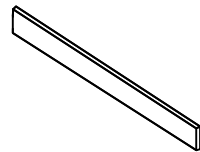
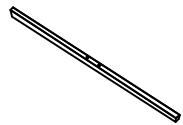




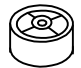

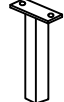
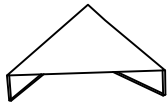
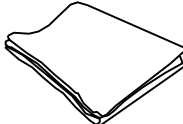
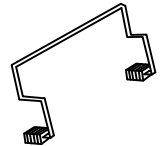




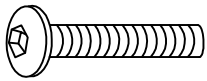
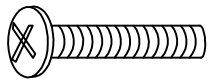
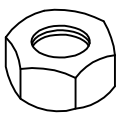


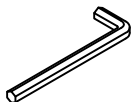
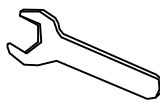
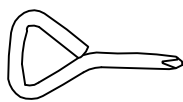


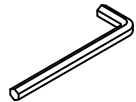
ASSEMBLY INSTRUCTIONS



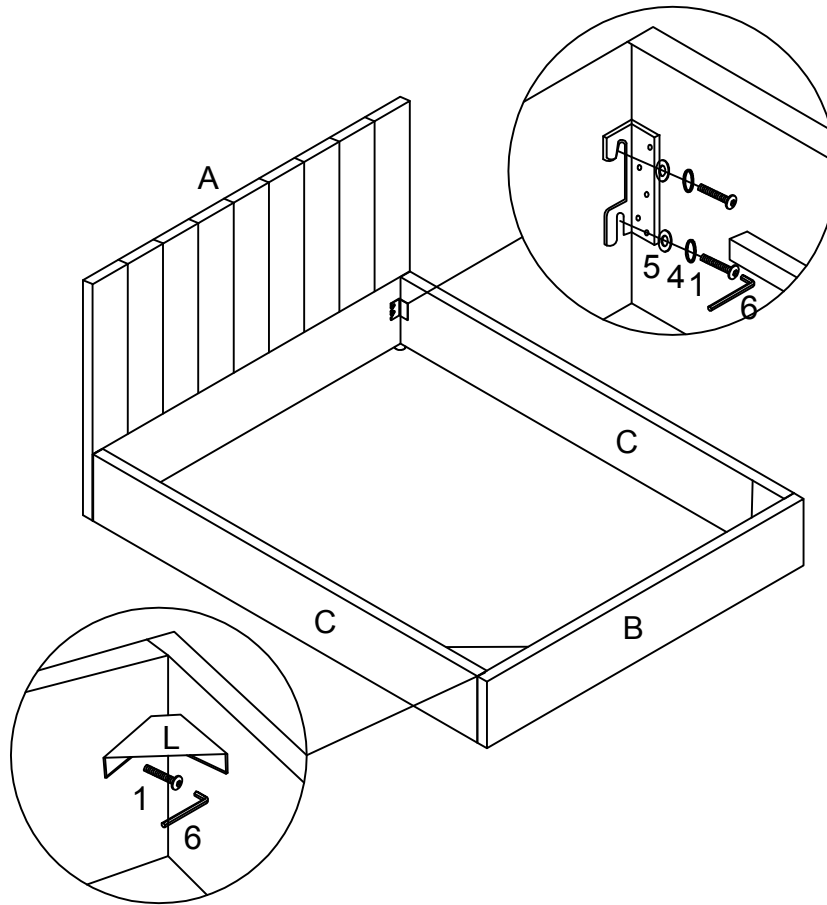
Parts List

<p>A HEAD BOARD 1PC</p> 	<p>B FOOT BOARD 1PC</p> 	<p>C SIDE RAIL 2PCS</p> 	<p>D BEDSTEAD RAIL 2 SETS</p> 
<p>E BEDSTEAD RAIL 2 SETS</p> 	<p>F SLAT 4 5 PCS</p> 	<p>G Single Plastic Cap 30pcs</p> 	<p>H Double Plastic Cap 30pcs</p> 
<p>I LEG 4 PCS</p> 	<p>J 4 PCS</p> 	<p>K Support Leg 4 PCS</p> 	<p>L 2 pcs</p> 
<p>M Non-woven fabrics 1pc</p> 	<p>N 1 PCS</p> 	<p>O Center Support Bar 2pcs</p> 	<p>P Digging rope 1PC</p> 

Hardware List

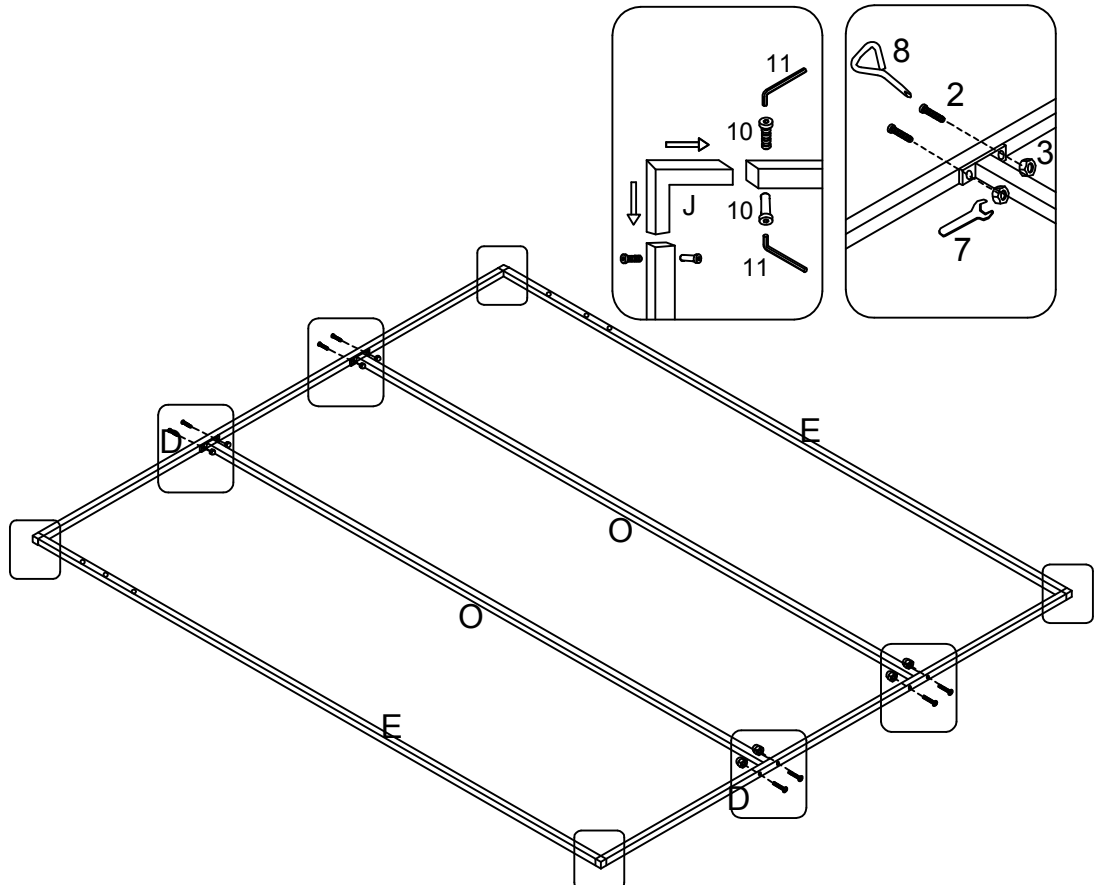
<p>1 M8*30 x16 PCS</p> 	<p>2 M8*40 x 22 PCS</p> 	<p>3 22 pcs</p> 	<p>4 8 pcs</p> 
<p>5 8 pcs</p> 	<p>6 M5 x1 PC</p> 	<p>7 1 pcs</p> 	<p>8 1 pcs</p> 
<p>9 M4*40 x 4 PCS</p> 	<p>10 M6*20 x 8 PCS</p> 	<p>11 M4 x 2 PCS</p> 	

Step1



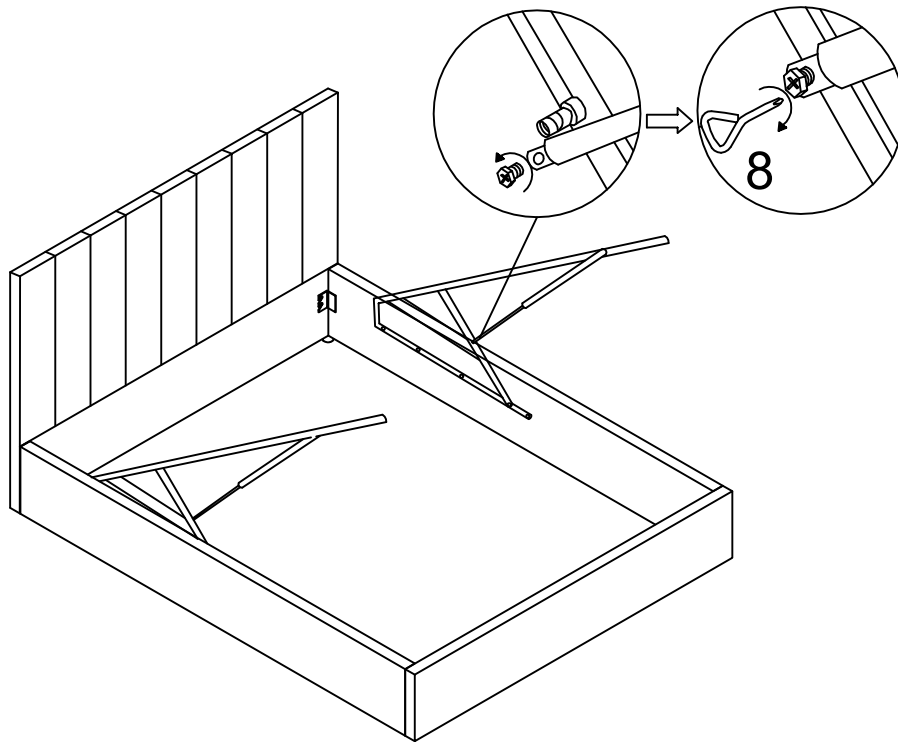
5.x8	
4.x8	
L.x2	
6.x1	
1.x16	

Step2



10.x8	
11.x2	
J.x4	
7.x1	
8.x1	
3.x8	
2.x8	

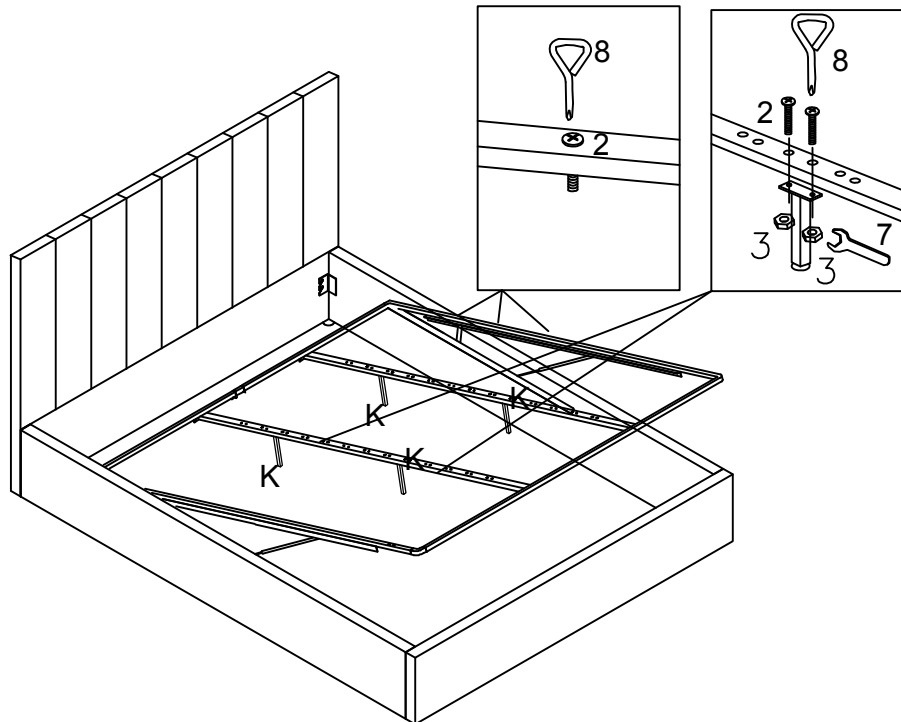
Step3



8.x1



Step4



K.x4



7.x1



8.x1



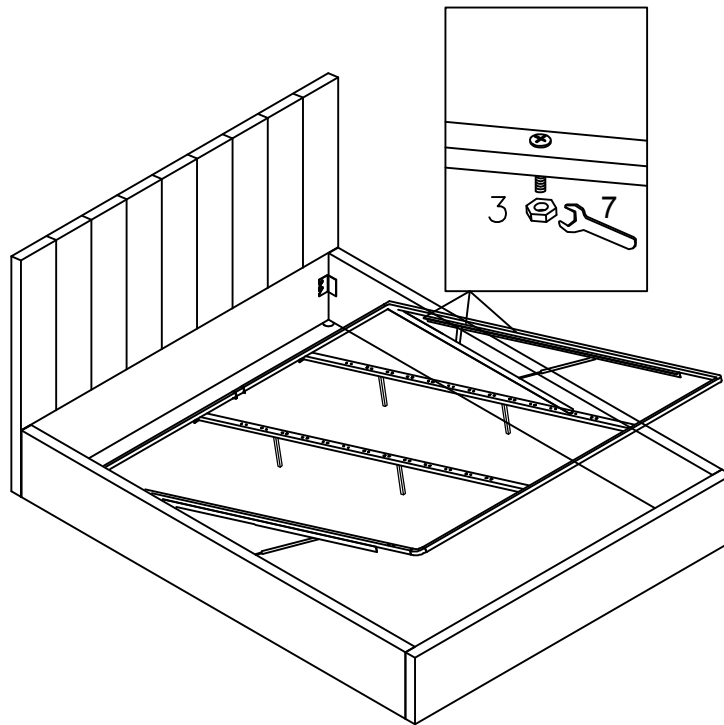
3.x8



2.x14



Step5



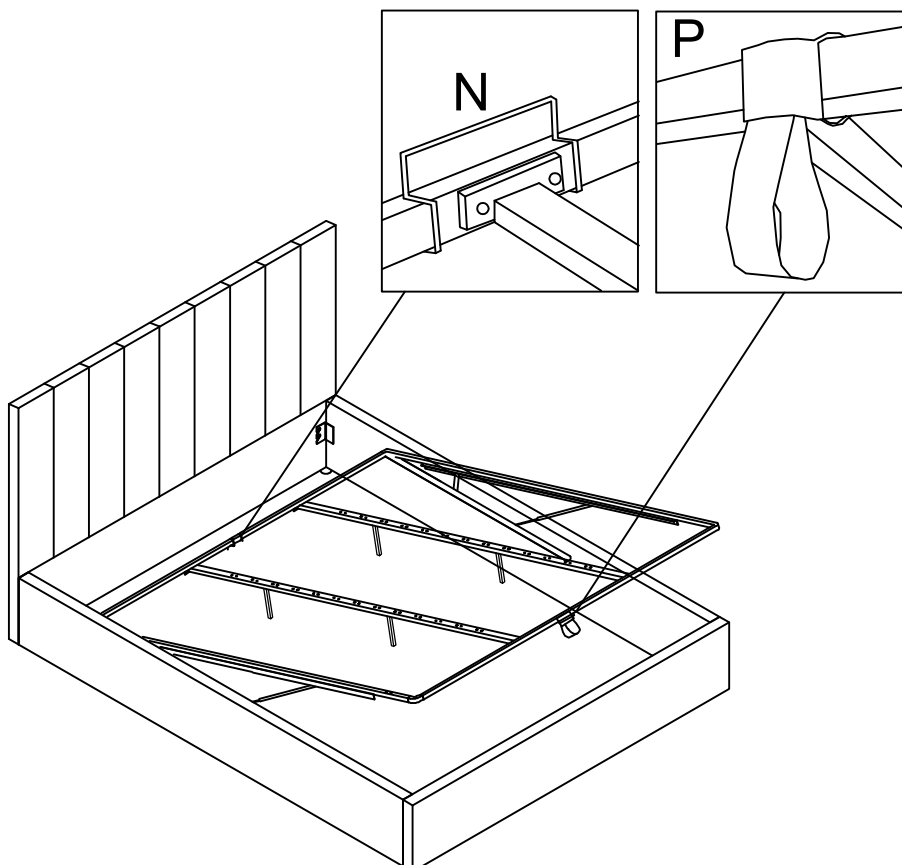
7.x1



3.x6



Step6



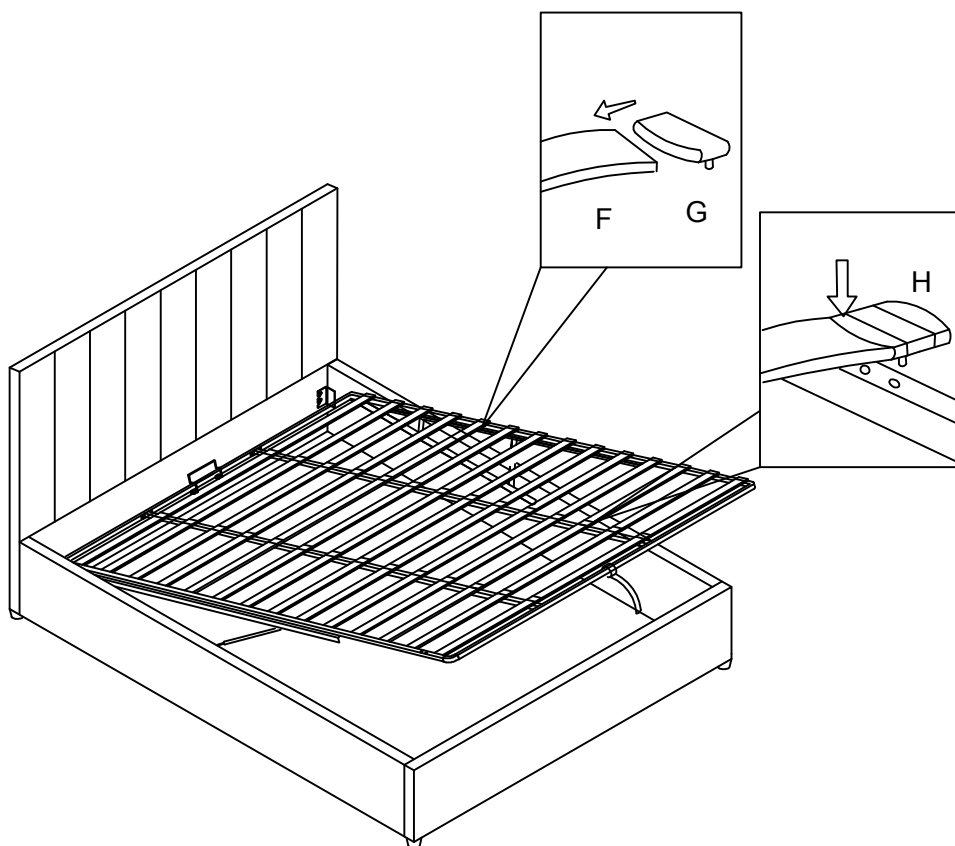
P.x1



N.x1

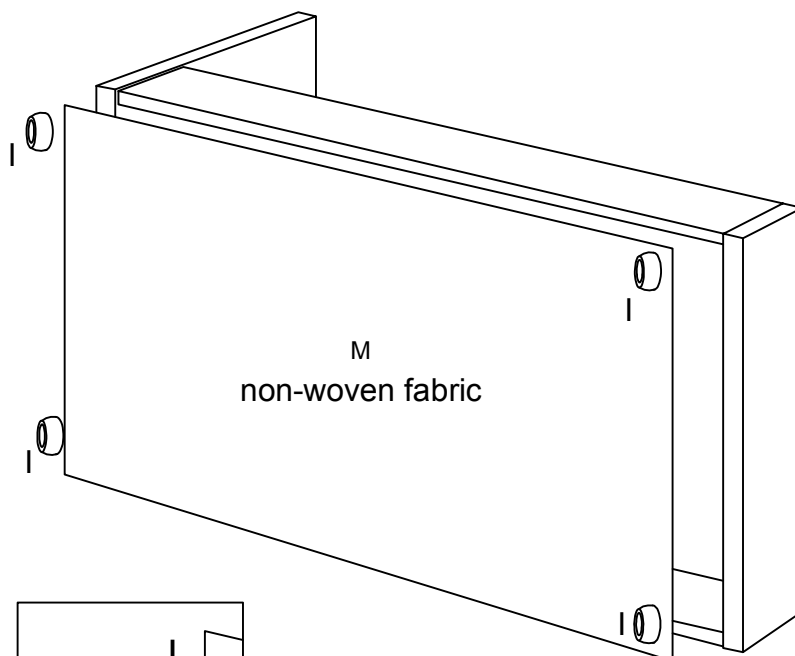


Step7

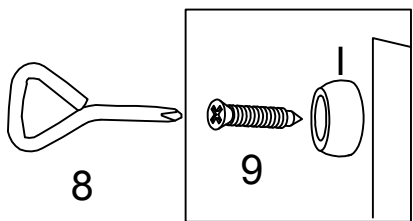


F.x45	
G.x30	
H.x30	

Step8



9.x4	
M.x1	
I.x4	
8.x1	



Stick the non-woven fabric on bottom and then assemble the 4 feet