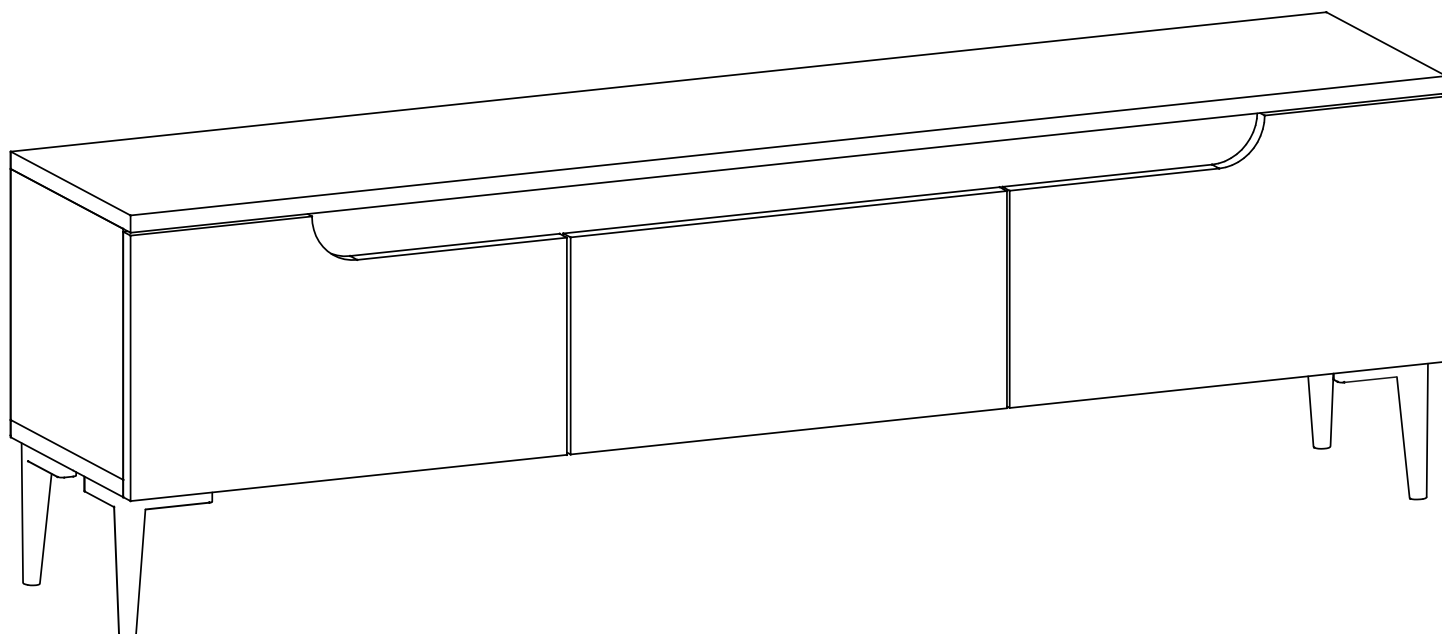


TV Stand

MONTAJ KLAVUZU ASSEMBLY MANUAL



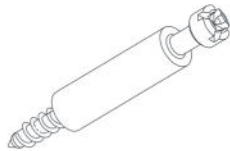
ATTENTION !!

Minifix is the main connection material used in this product.
Before starting assembly, please check the drawings below...

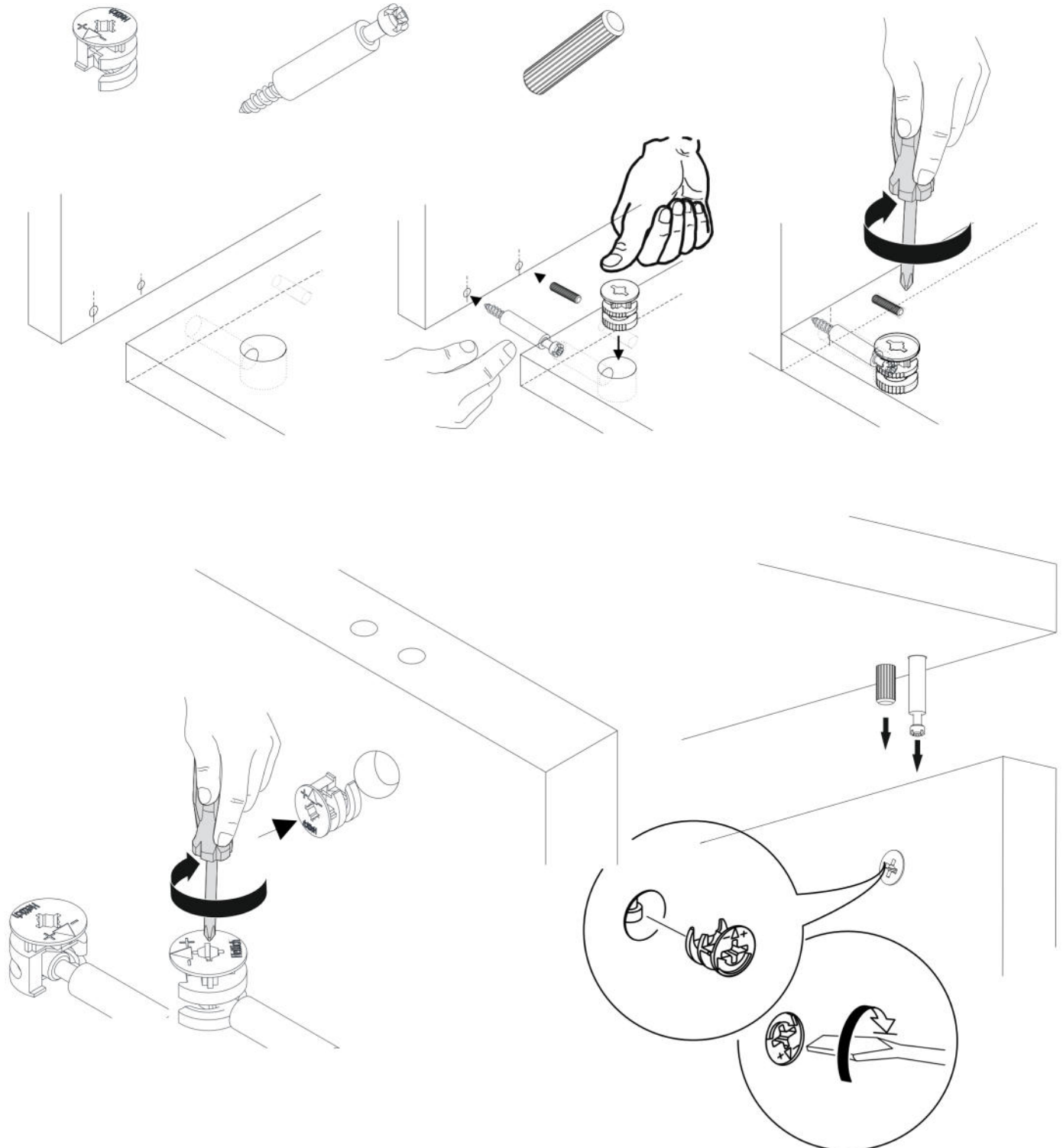
MINIFIX BODY



MINIFIX SHAFT


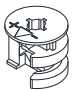


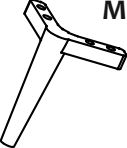
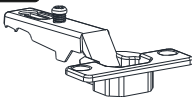
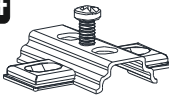




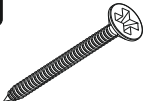


DOWEL

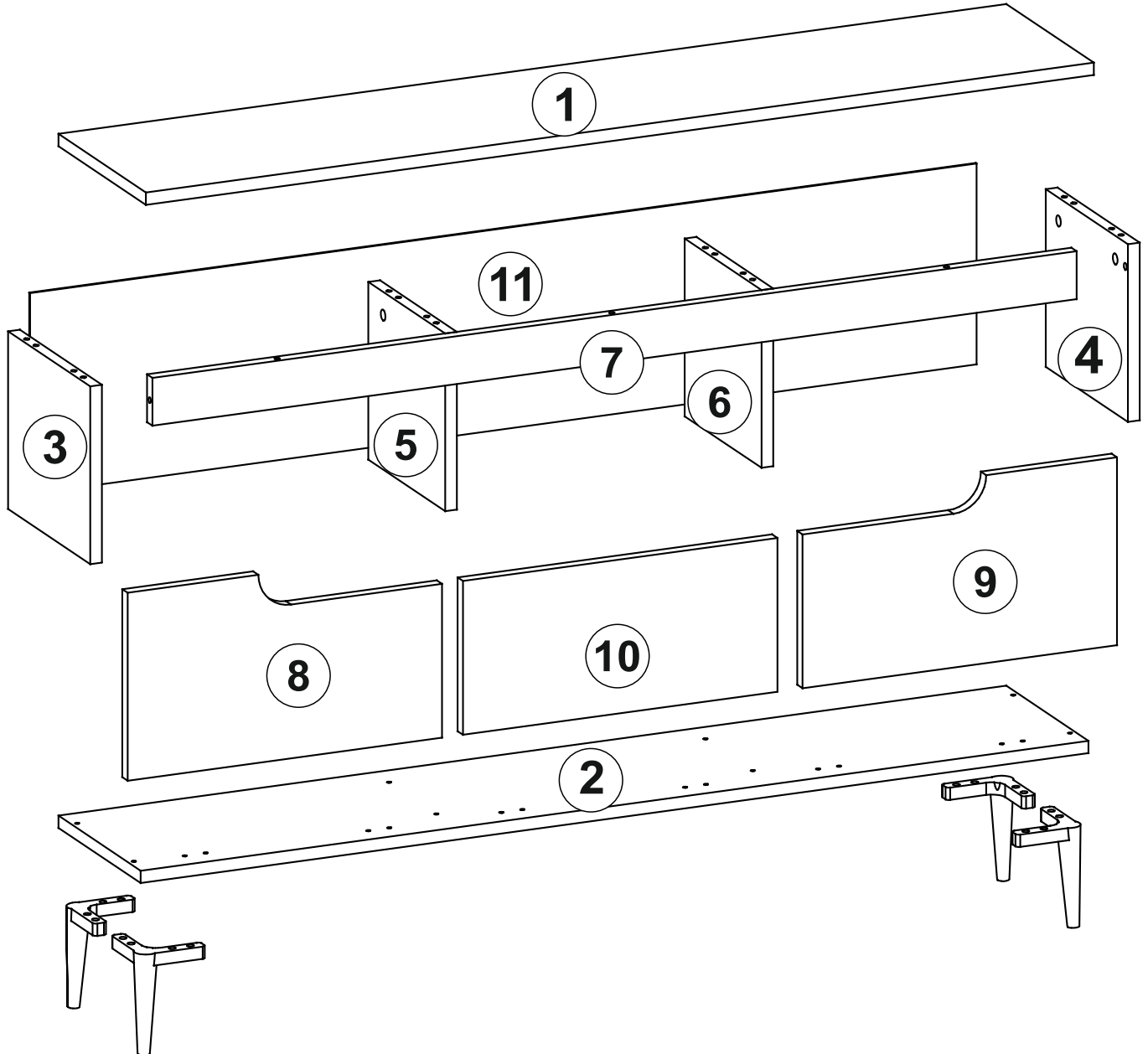


AKSESUAR LİSTESİ / ACCESSORY LIST

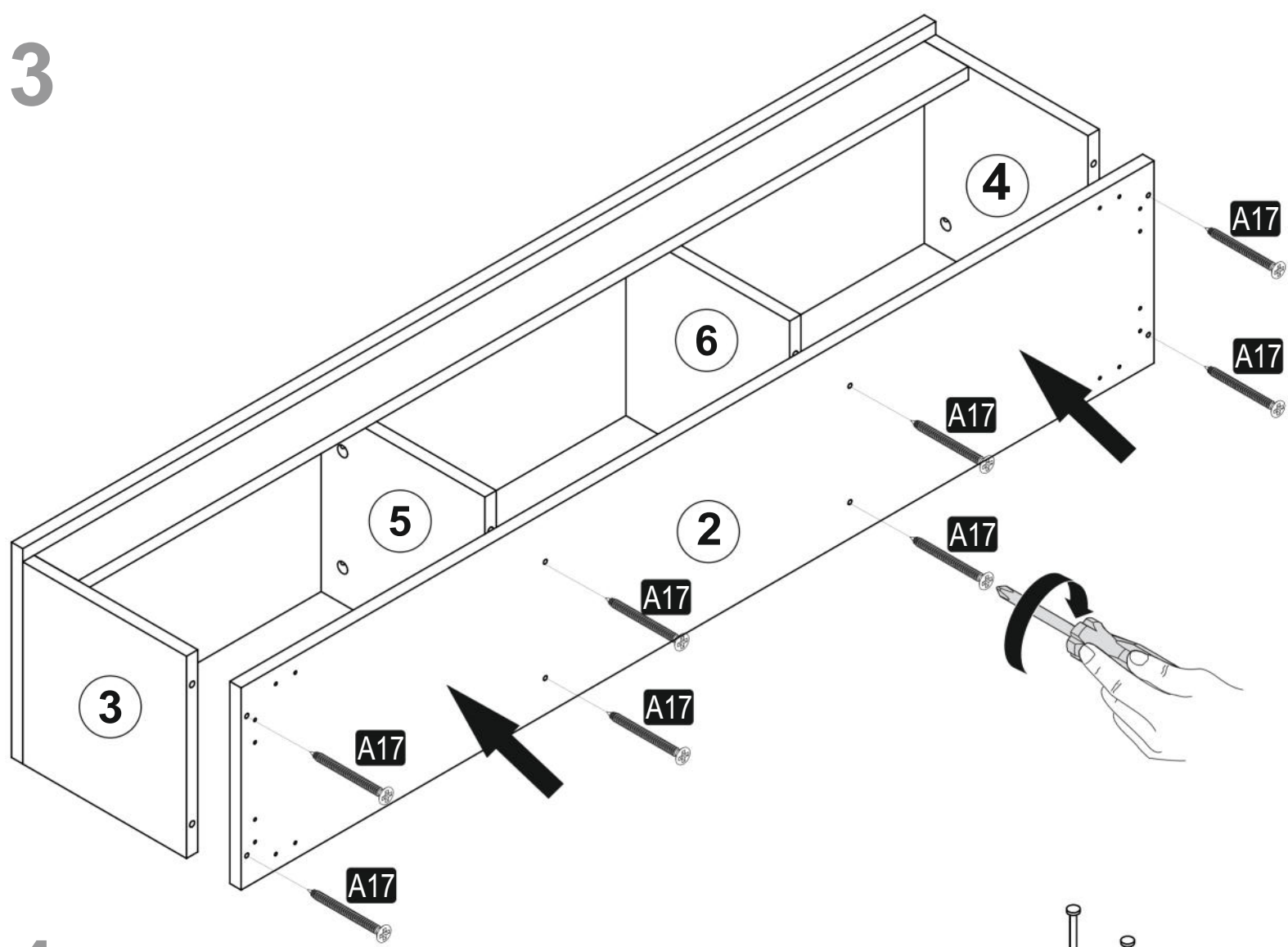
KARYA

A23 MINIFIX SHAFT MINIFIX MİL  8x34 11x	A22 MINIFIX GÖVDE MINIFIX BODY  15x13 11x	A04 DOWEL KAVELA  8x30 10x	A18 3,5x18  40x
A50 MİNA  SİYAH BLACK 4x	C01 DM  6x	C04 MA  6x	A48 AC  40x
A06 18 mm  ATLANTİK 8x	A06 18 mm  SİYAH BLACK 3x	A10 14mm  ATLANTİK 8x	A17 4x50  8x

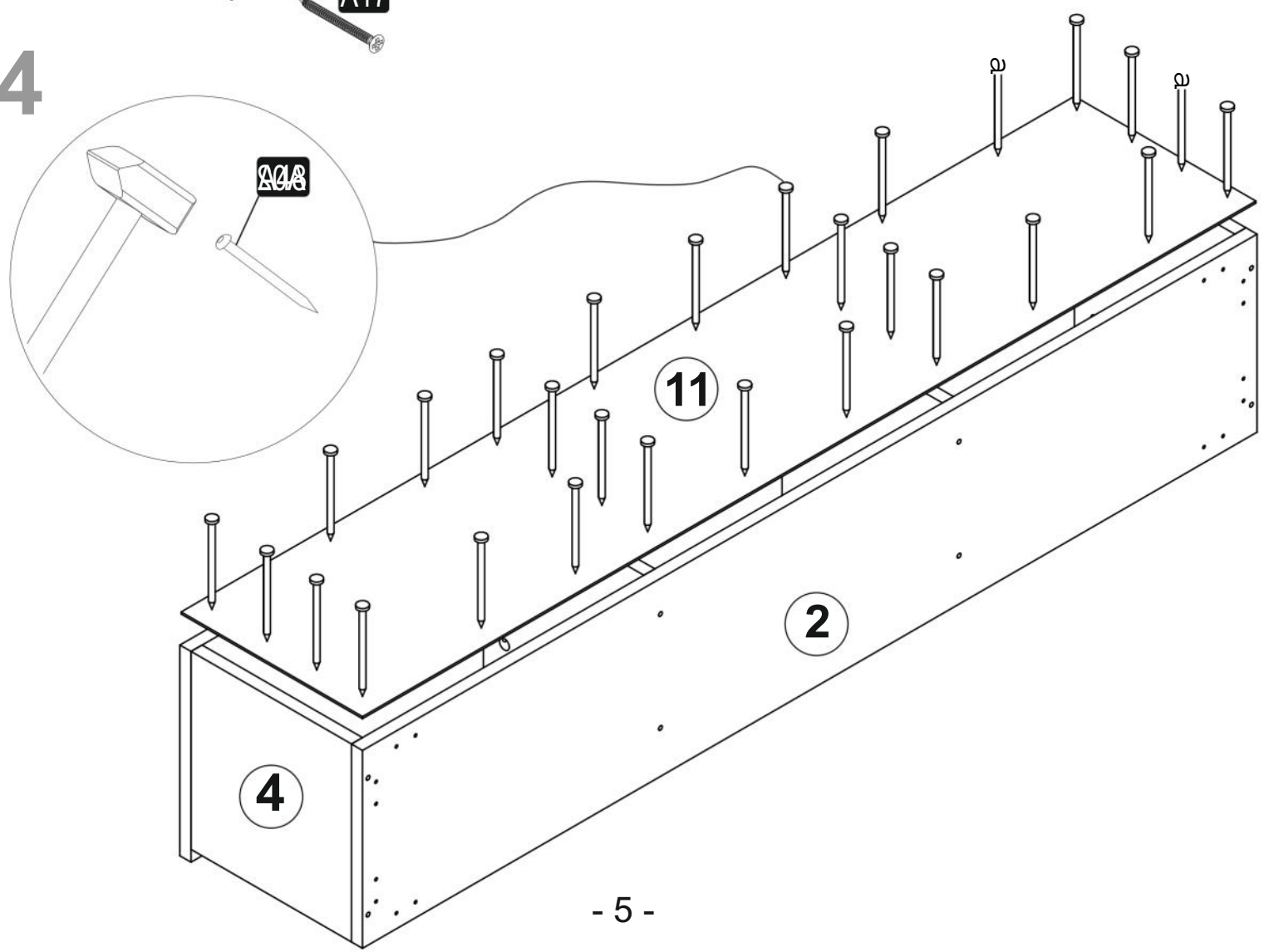
PARÇA KODLAMA / DISASSEMBLED VIEW



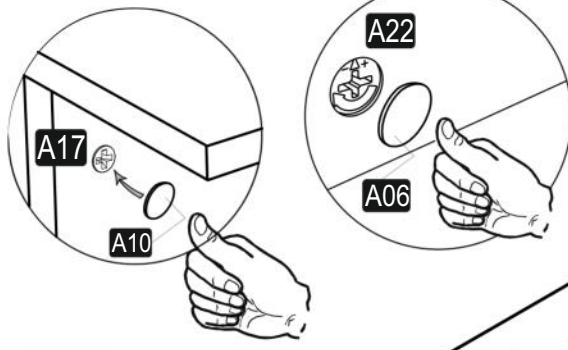
3



4



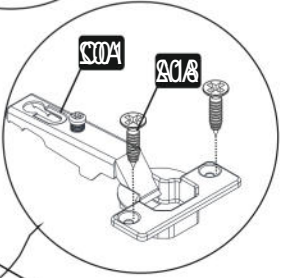
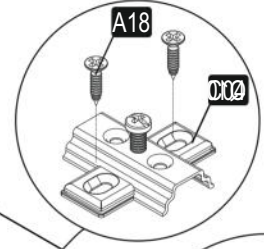
5



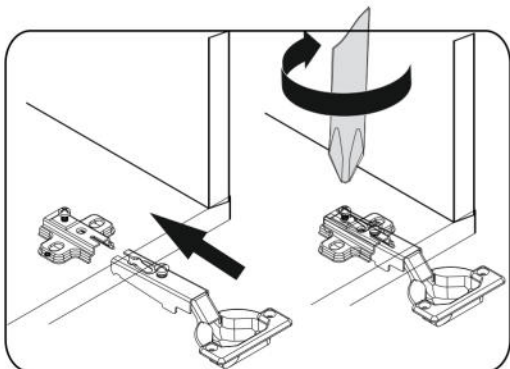
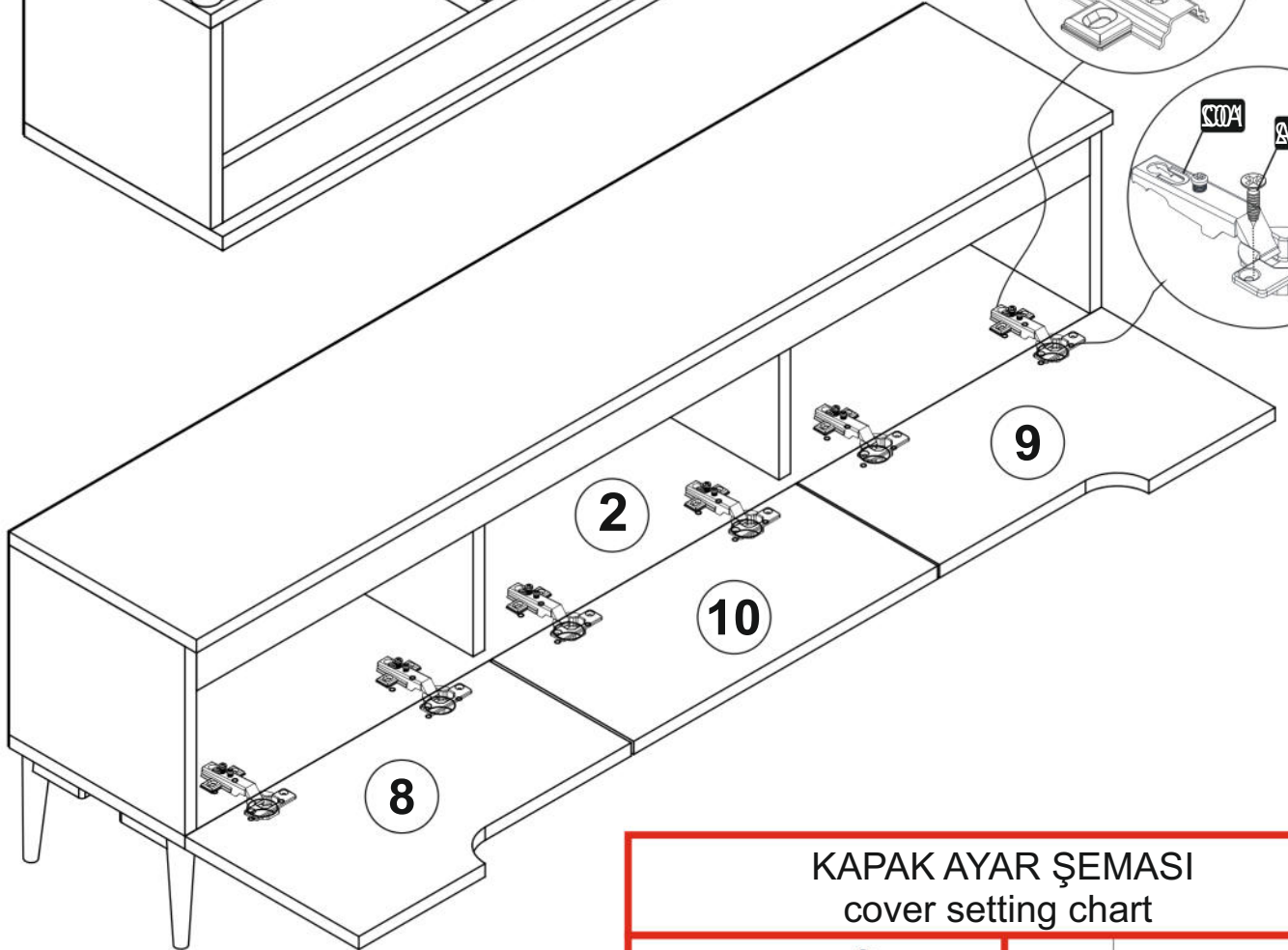
A18

A50

2



6



KAPAK AYAR ŞEMASI
cover setting chart

The cover setting chart consists of two diagrams. The left diagram shows a hand using a screwdriver to turn a screw clockwise, with a red arrow indicating the direction of rotation. A yellow box with two red arrows pointing up and down is shown next to it. The right diagram shows a hand using a screwdriver to turn a screw counter-clockwise, with a red arrow indicating the direction of rotation. A yellow box with two red arrows pointing left and right is shown next to it.