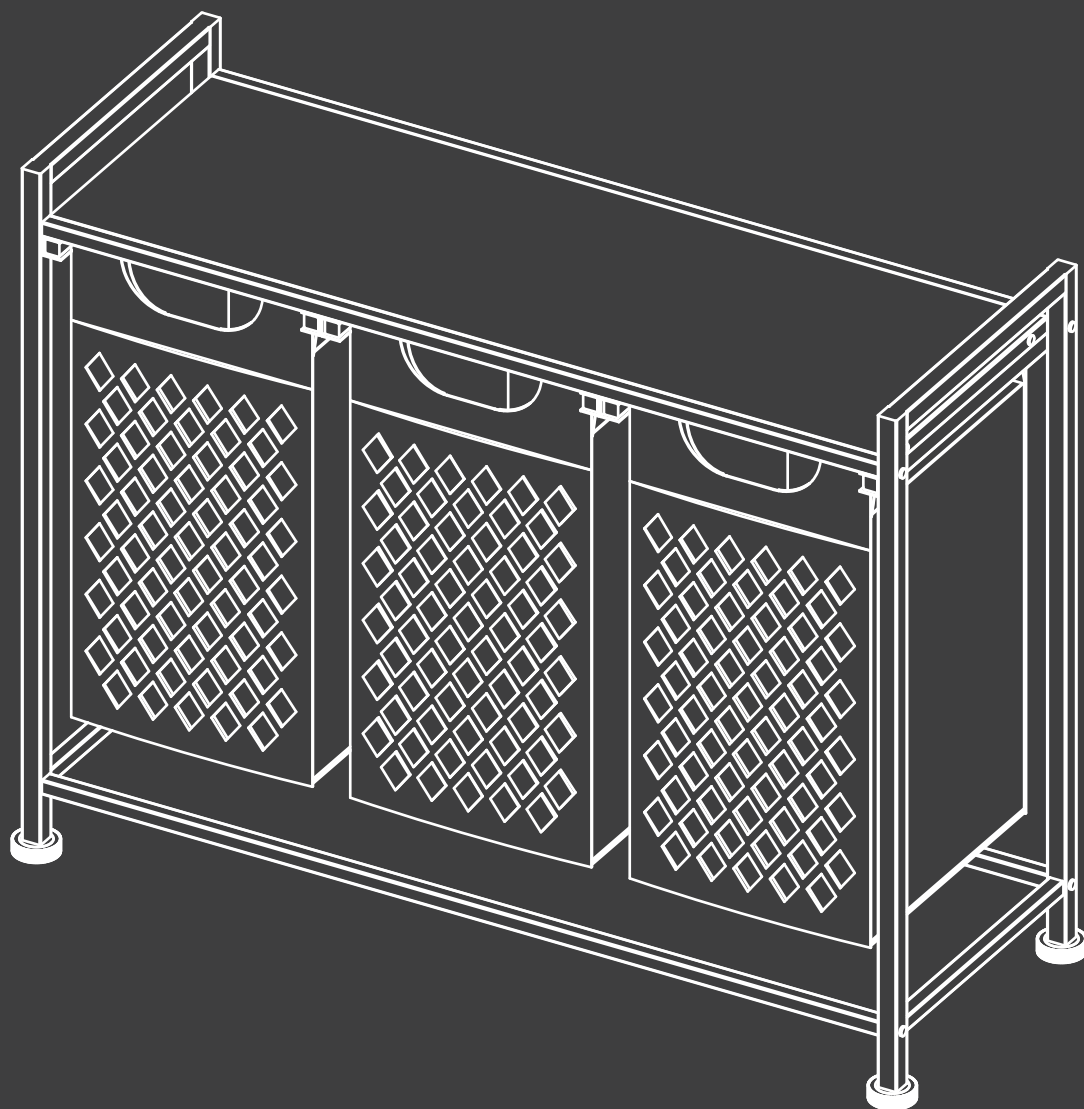
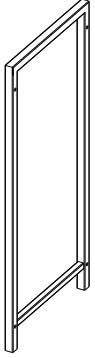


Instruction Manual

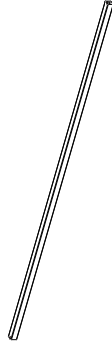


1 Component List

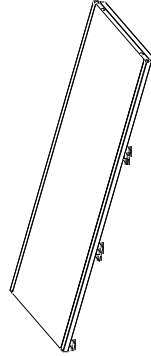
A X2



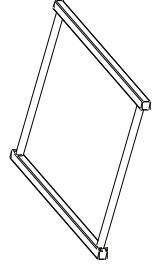
B X2



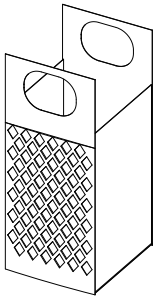
C X1



D X3



E X3

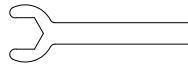


2 Supplied Parts and Hardware

1 X1



2 X1

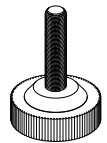


3 X8

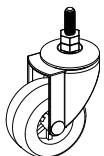


M6*35mm

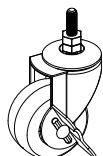
4 X4



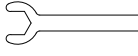
5 X2

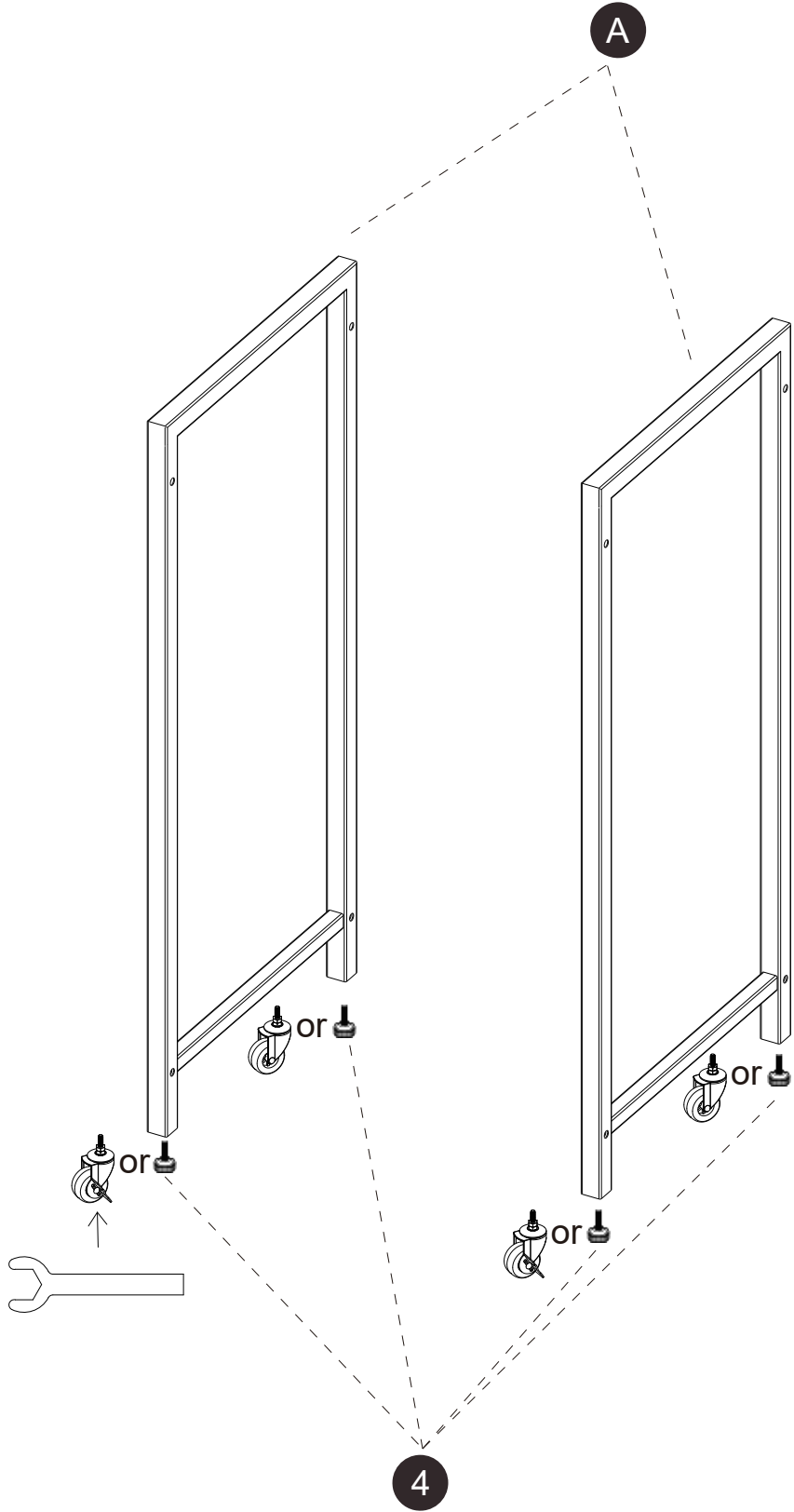


6 X2





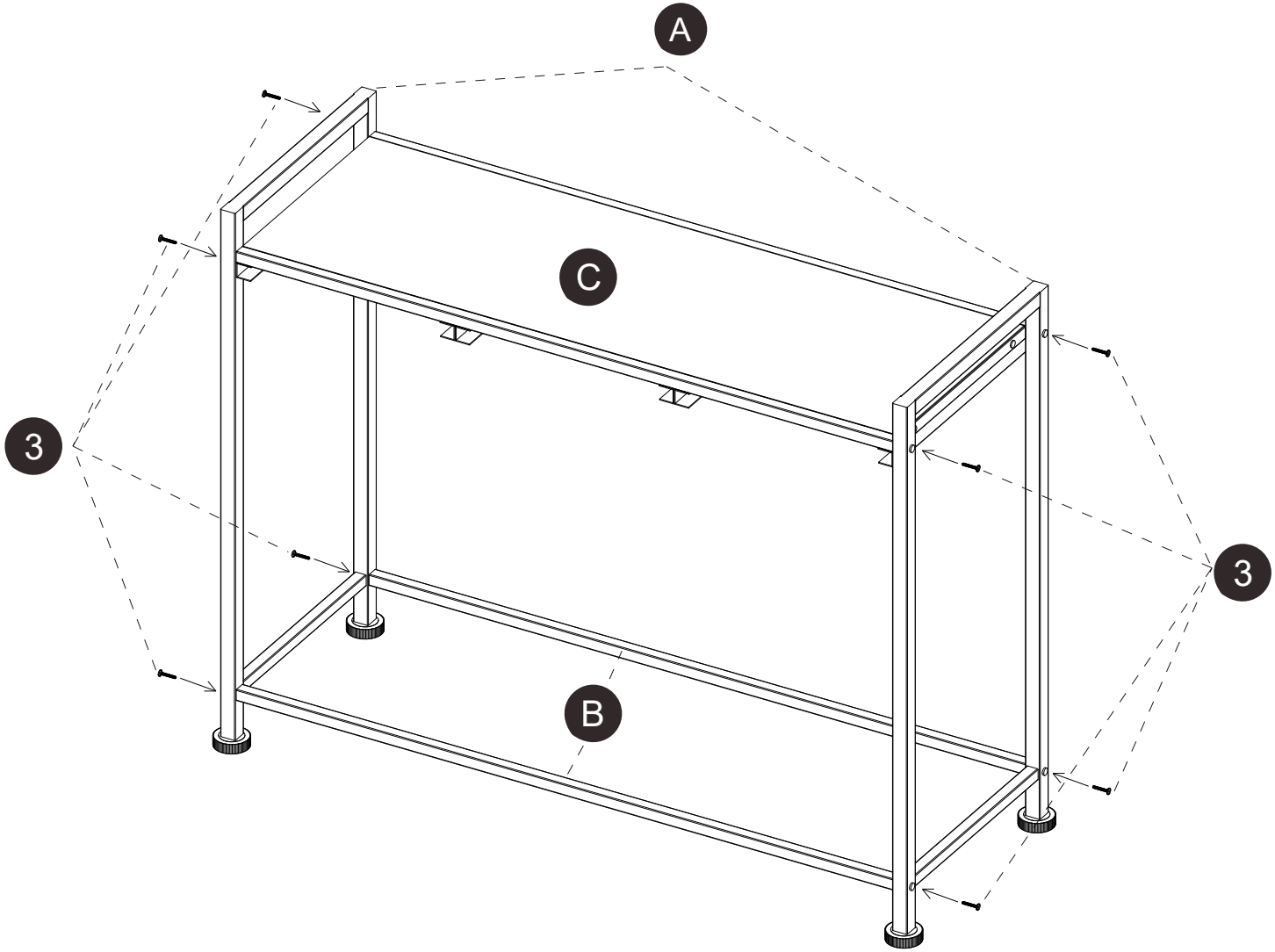
Step 1

 2 x1	 4 x4	 5 x2	 6 x2
--	---	---	---

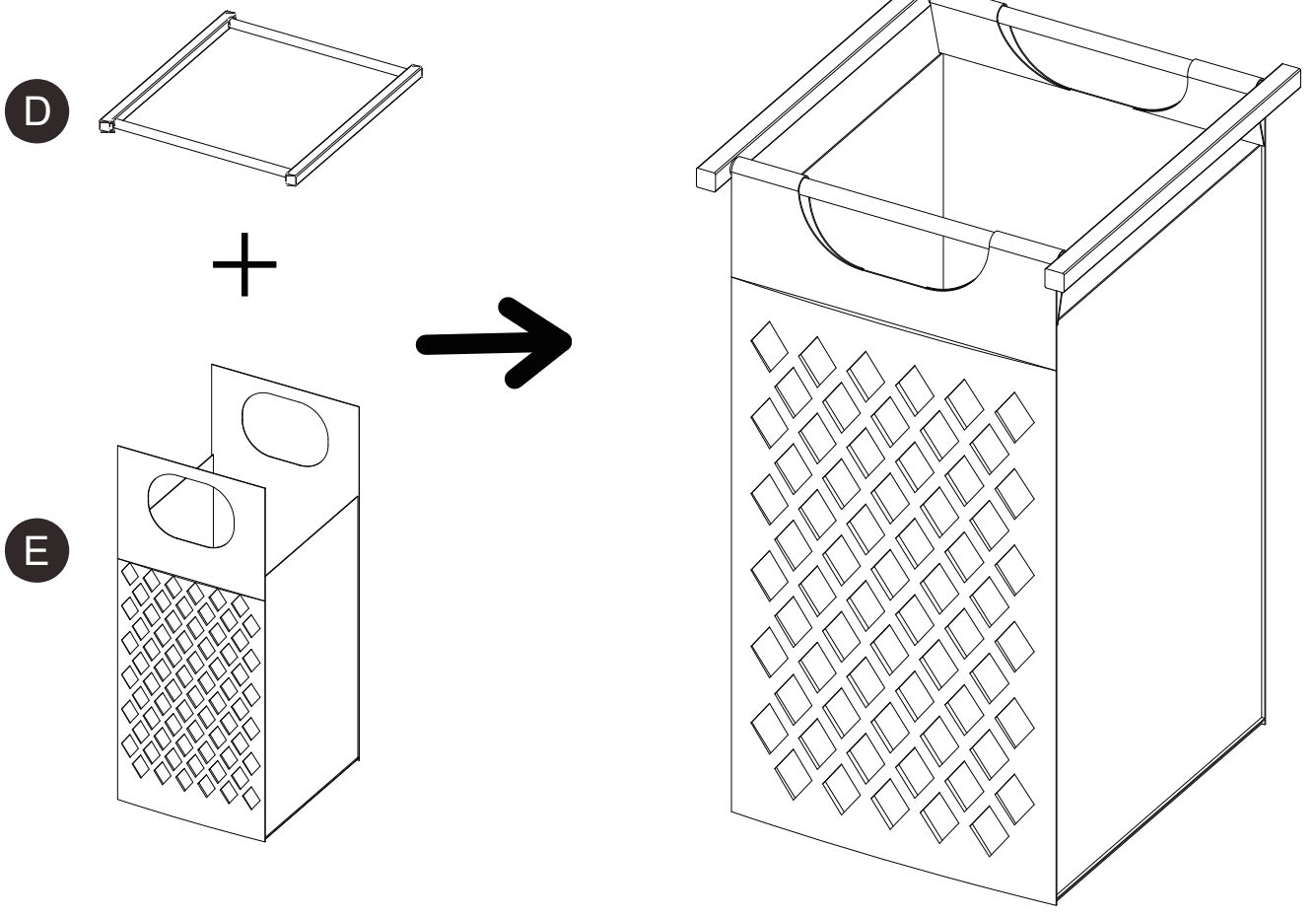


Step 2

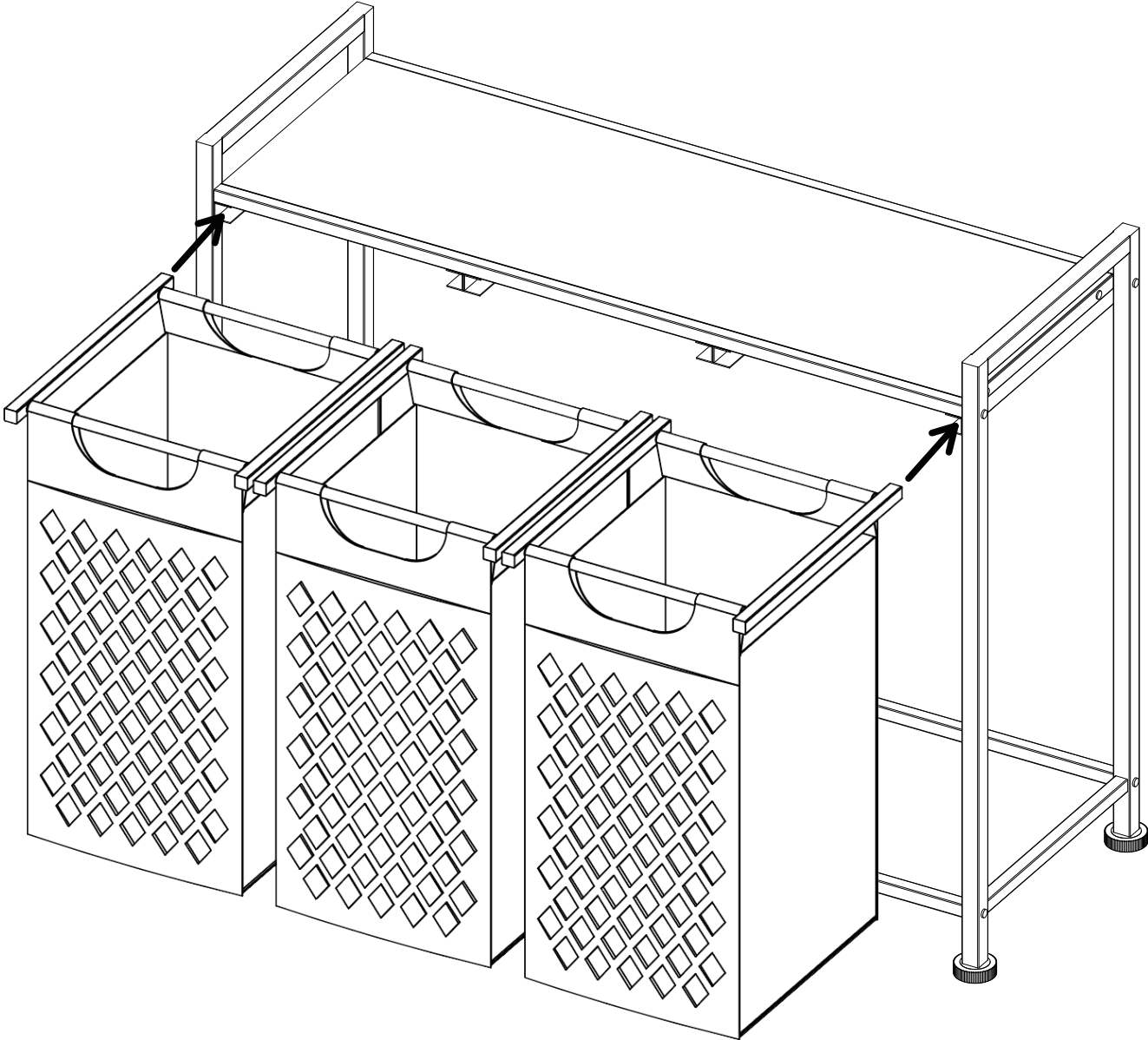
 M6*35mm 3 x8	 1 x1
---	--



Step 3



Step 4



Step 5

