






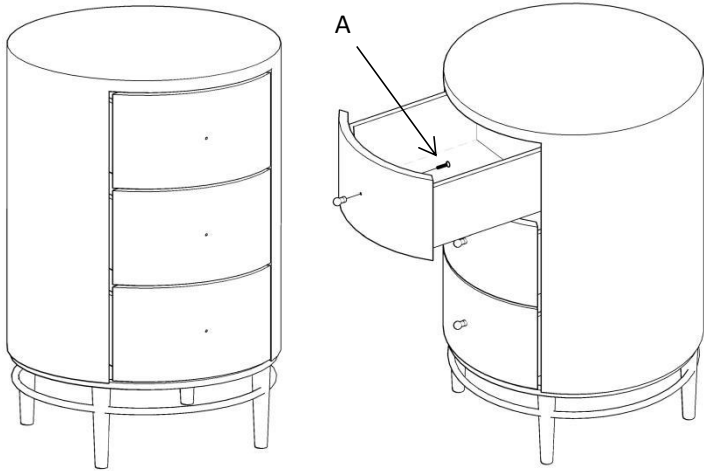
VB009A Makeup Vanity Table

Assembly Instruction

Parts Inventory

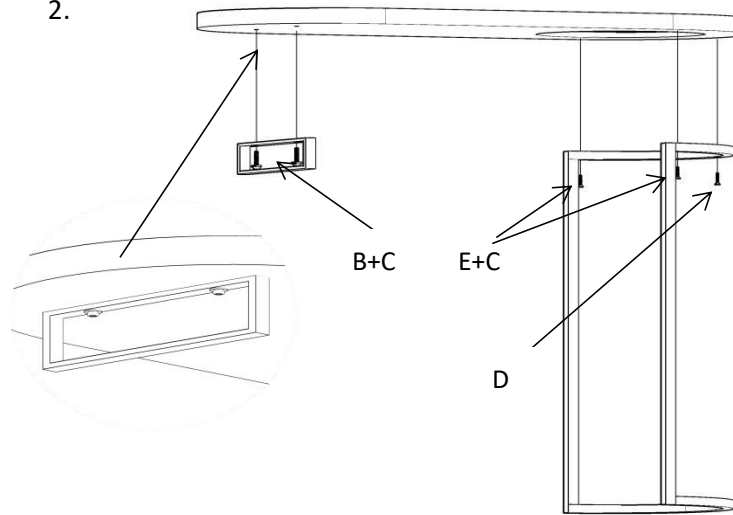
No.	Photo	Description	QYT
A		4*35mm Screw	3
B		6*20mm Screw	2
C		Washer	4
D		4*30mm Self-tapping Screw	1
E		6*30mm Screw	2

1.



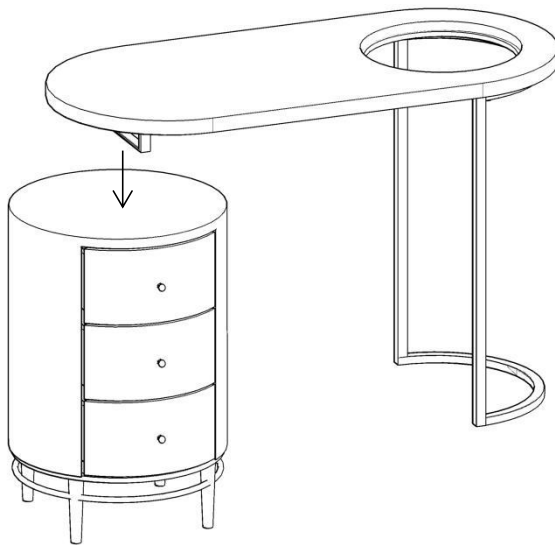
Attach the handles to the drawers.

2.



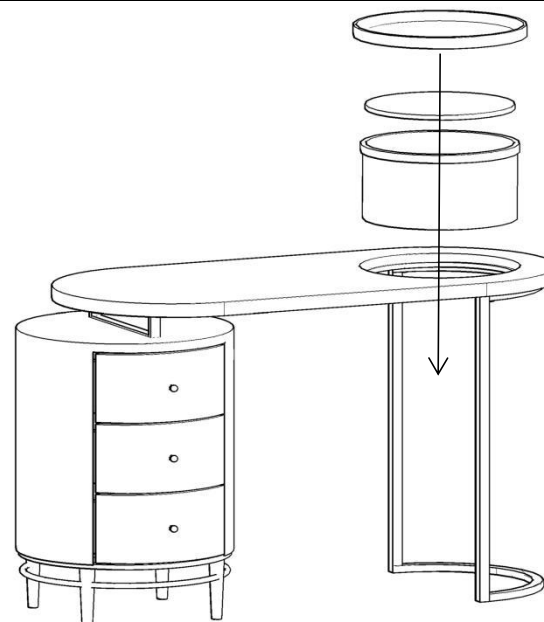
Attach metal frame to the table.

3.



Align the table with metal frame on the side cabinet.

4.



Put the barrel-like storage compartment in place.

It is done!

