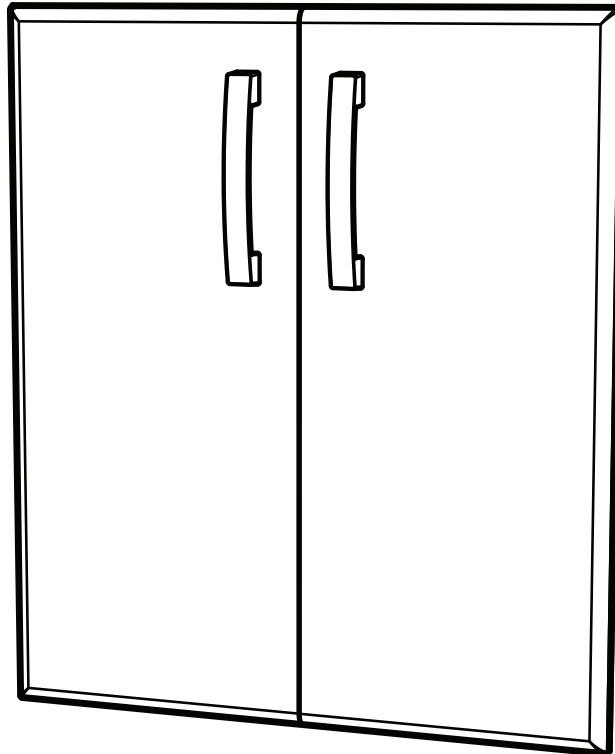


www.FlowWall.com



model number:

FWC-D02

Short Doors

Fits FWC-C02 or FWC-C03

Distributed by:



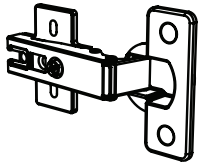
RST Brands / 1775 West 2300 South / Salt Lake City, Utah 84119

Ph: 801.924.2090 / www.rstbrands.com

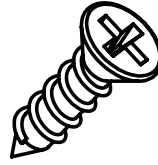
Flow Wall is a registered trademark of Red Star Traders, LLC

Step 1.

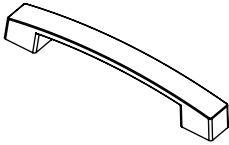
Parts List - Review this parts list and reference for future assembly steps. If you find any parts are missing, please contact Flow Wall via phone or email.



(A) Hinge
x4



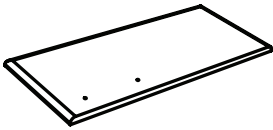
(B) Hinge Screw
x16



(C) Handle
x2



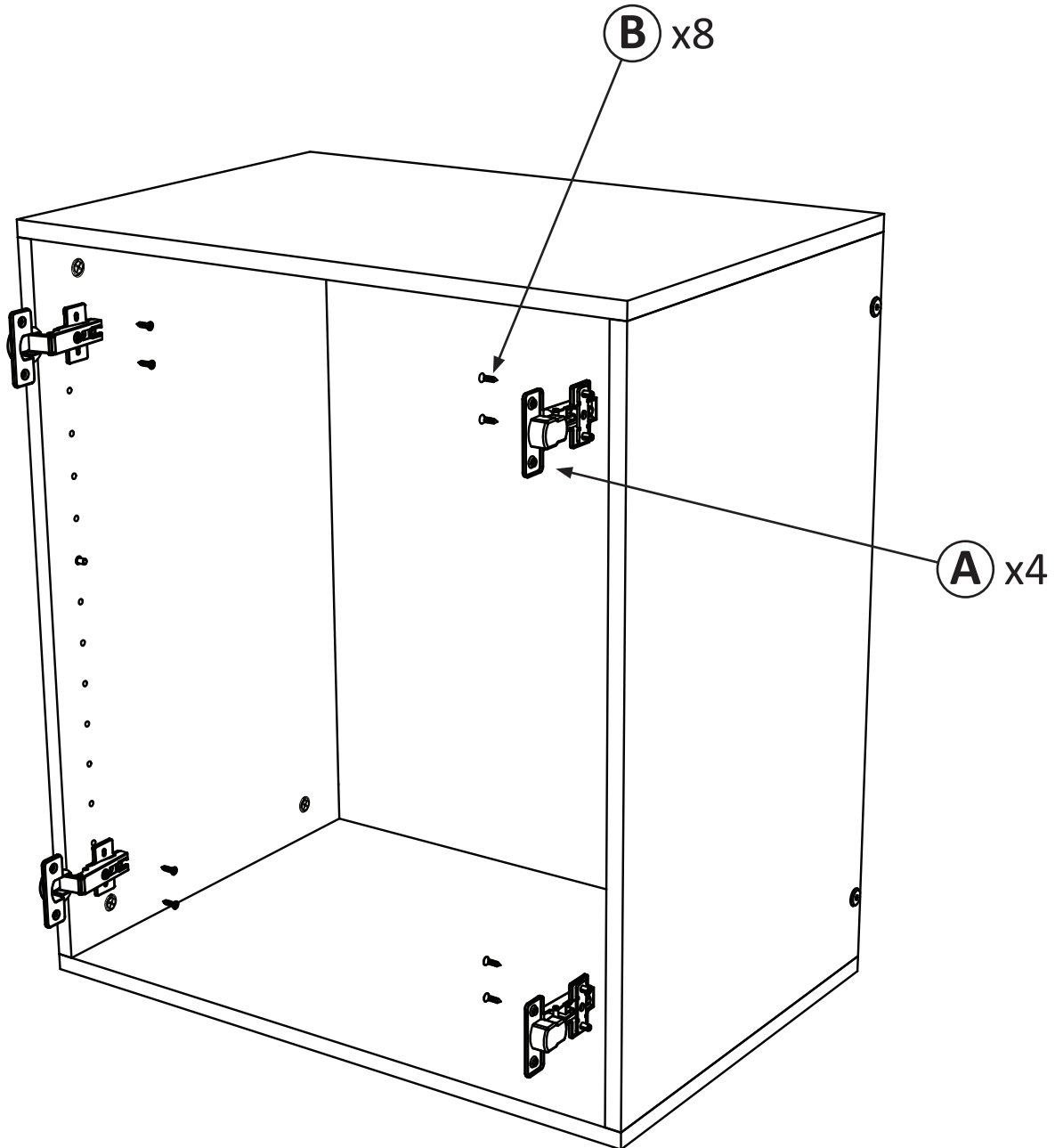
(D) Handle Screw
x4



(E) Door
x2

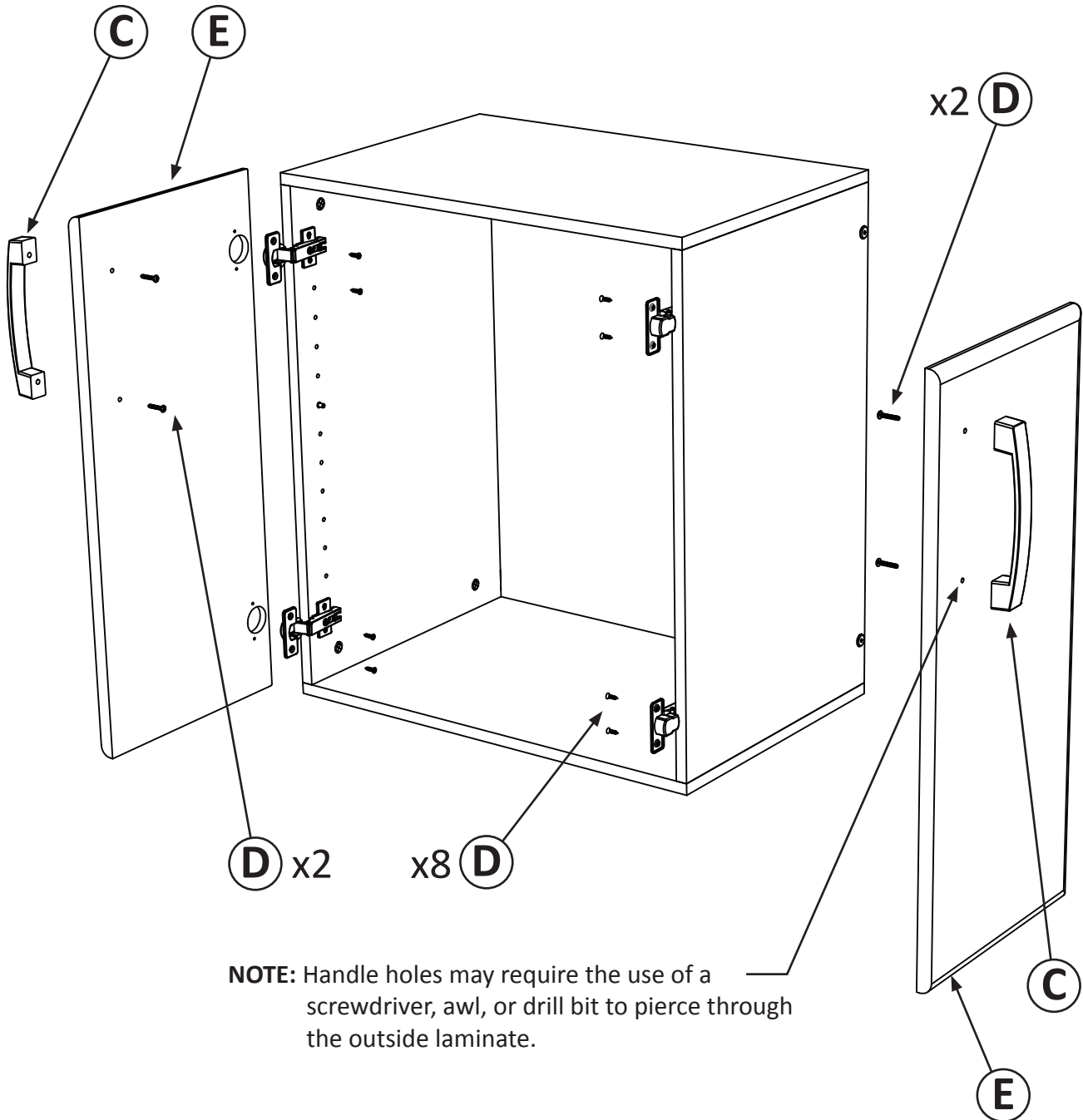
Step 2.

Assembly of Hinges - Assemble the hinges to the cabinet.



Step 3.

Add Doors - Assemble the doors to the hinges (Euro hinges are fully adjustable).
Add handles to each door.



NOTE: Handle holes may require the use of a screwdriver, awl, or drill bit to pierce through the outside laminate.

NOTE: Doors shown with FWC-C03-G Base Cabinet. Flip both doors upside down for FWC-C02-G Wall Cabinet.