

Assembly instructions

Solid wood widened coat hanger

Pre-assembly instructions:

1. Please confirm whether the product parts are complete before assembly.
2. Follow the Instruction manual and assemble it correctly and safely.
3. Please keep the assembled parts out of the reach of children.

Maintenance and use:

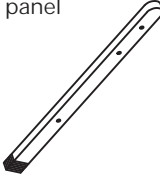



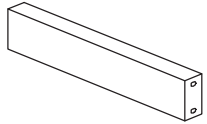
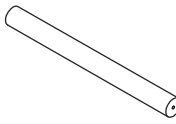


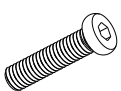
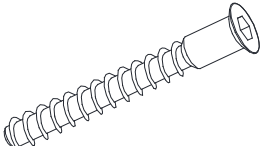


1. Please stop using it if it is damaged or deformed during use.
2. It is recommended to carefully check the parts regularly after 3 months of use. If there is any safety hazard, stop using it.
3. Please do not repair or modify this product by yourself to avoid affecting its service life.

Note on usage:

1. Please do not sit or jump on this product, or use this product as a platform to pick up items, especially children.
2. To avoid overturning, deformation, and damage, please use this product on a flat place.
3. Please do not use this product beyond its intended purpose.

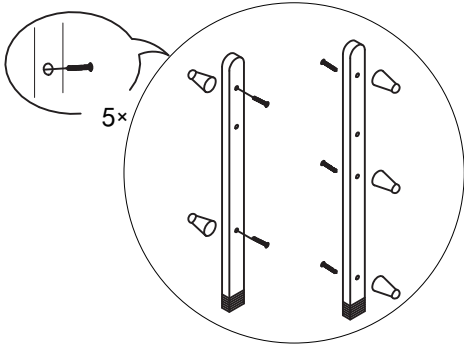
After-sales service:

1. If you don't understand something or if you have quality problems, missing accessories, or installation difficulties, please consult the customer service staff of the store where you purchased it.
2. We are not responsible for the consequences and associated losses caused by natural disasters, improper repairs, modifications, etc.
3. Please use appropriate methods to dispose of the packaging materials of this product

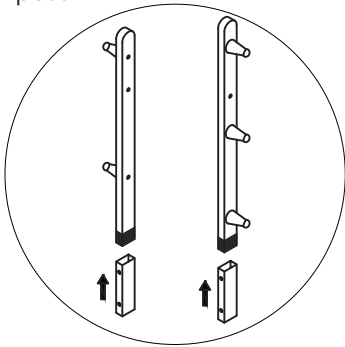
Accessories details	① 740mm Short upper side panel 	② 810mm Long upper side panels 	③ 800mm lower side panel 	④ hanging post 
	X1	X1	X2	X5
	⑤ Crossbar 	⑥ round rod 	⑦ metal sleeve 	⑧ Chassis 
	X1	X1	X2	X1
	⑨ Hanging post screws 	⑩ Straight repair screws 	⑪ metal set screws 	⑫ Hex wrench 
	X5	Contains 1 spare piece X11	X4	X1

Assembly steps:

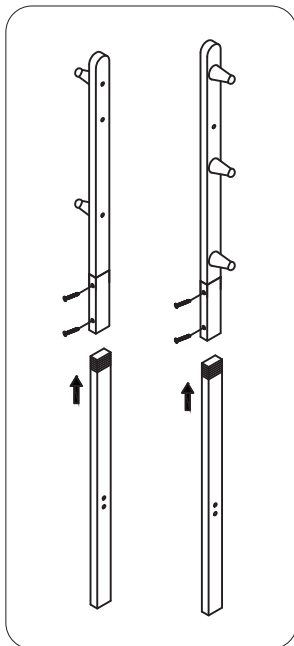
Insert the screw through the large hole



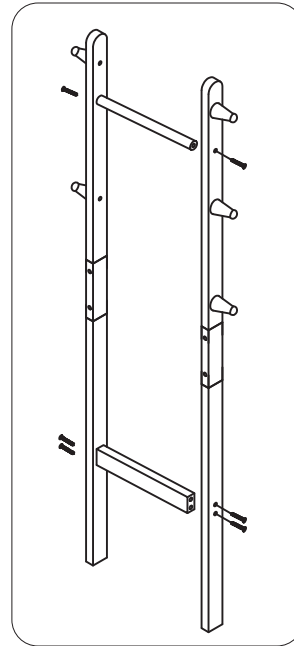
- 1 Pass the No. 9 hanging post screws through the large countersunk holes on the sides of the two upper side panels and lock them with the No. 4 hanging post.



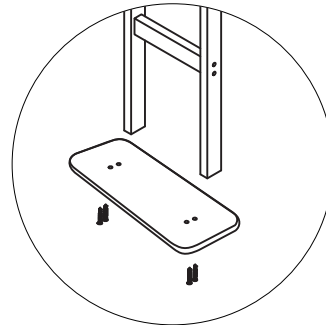
- 2 Put the metal sleeve on and tighten it with the No. 11 metal sleeve screw



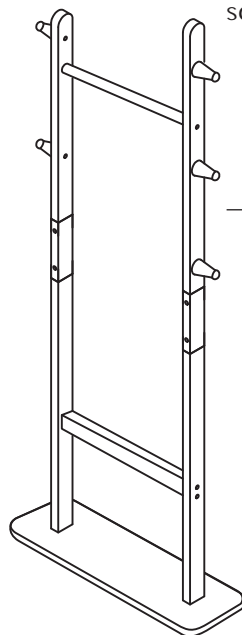
- 3 Connect the No. 3 lower side plate to the two metal sleeves and lock them with the No. 11 metal sleeve screws.



- 4 Use No. 10 straight screws to install the No. 5 crossbar and metal hanging rod, and install the other side panel.



- 5 Secure the bottom of the chassis and side panels with No. 10 straight screws to complete the installation.



Installation completed

Thank you for
choosing our
products