

the ROTOLO BYPASS

Semi-
Frameless
Top Rolling
Shower
Door

RTLA05A
RTLA05B



SHOWER ENCLOSURES

BECAUSE THE SHOWER IS EVERYTHING

www.BascoShowerDoor.com | 800.45.BASCO

QCI5301

Tools:

To install your New Shower Enclosure, you may need the following:

- Pencil
- Low Tack Tape
- Tape Measure
- 4' & 6' Levels
- #2 Phillips Screwdriver
- Drill
- 1/8" & 3/16" Drill Bit
- 3/16" Masonry Drill Bit
- Center Punch
- Files
- Hack Saw
- Caulk Gun
- Clear Silicone Caulk
- Suction Cups

Safety Notes:

- This unit is best installed by two people.
- Handle the glass panels carefully and protect the edges. Safety tempered glass is very resistant to breakage, but the sharp corners of the panels can damage tile and flooring surfaces.
- The glass can break if unequal pressure is applied during installation.
- Please wear safety glasses whenever drilling or cutting. When drilling holes in ceramic tile or marble, use a center punch and hammer to carefully break the glazed surface to prevent skidding when drilling.

NOTE: Tempered glass cannot be cut.

Installation Notes:

- A minimum of 1" thread engagement is required of all fasteners. Depending on the application the customer maybe required to supply the proper fasteners to ensure adequate engagement.
- Wall Jamb and Guide maybe installed using wall plugs where no backing is found.
- Use caution to not pierce plumbing or electric lines while installing door hardware.
- Cover the drain with tape prior to installation to prevent loss of small parts.
- Unpack your unit carefully and inspect for freight damage. Lay out and identify all parts using the instruction sheet as a reference. Before discarding the carton, check to see that no small hardware parts have fallen to the bottom of the box. If any parts are damaged or missing, refer to the description noted in the instructions when contacting your dealer for replacements.

Maintenance:

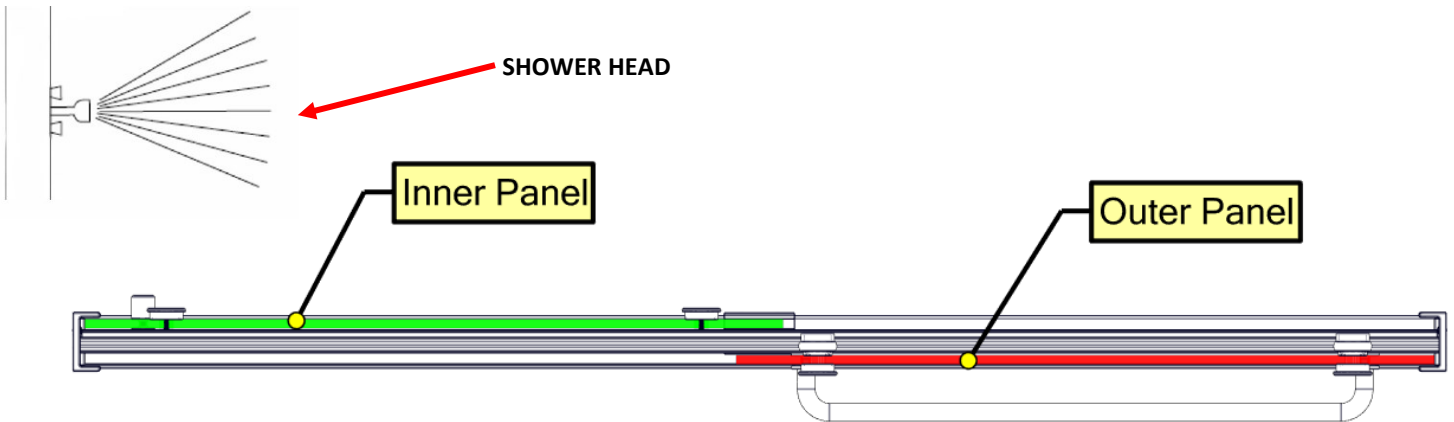
Two primary materials are used to manufacture your new shower enclosure: tempered glass and anodized aluminum. To assure a long lasting finish on the enclosure, wipe it down with a towel after each use.

For occasional, more concentrated cleaning efforts, we find that **Lysol® Non-Abrasive Bathroom Cleaner** works extremely well. Be sure that any over spray falling on the aluminum frame is rinsed thoroughly and dried. Many over-the-counter cleaners, if applied to the aluminum and left on, will harm the metal finish and cause permanent damage even though their directions indicate safe use on shower doors. Never use a scouring agent to clean the aluminum.

For units with **AquaglideXP** please use Maintain spray from the maintenance on the glass. Please contact customer service for details and to purchase the maintenance kit.

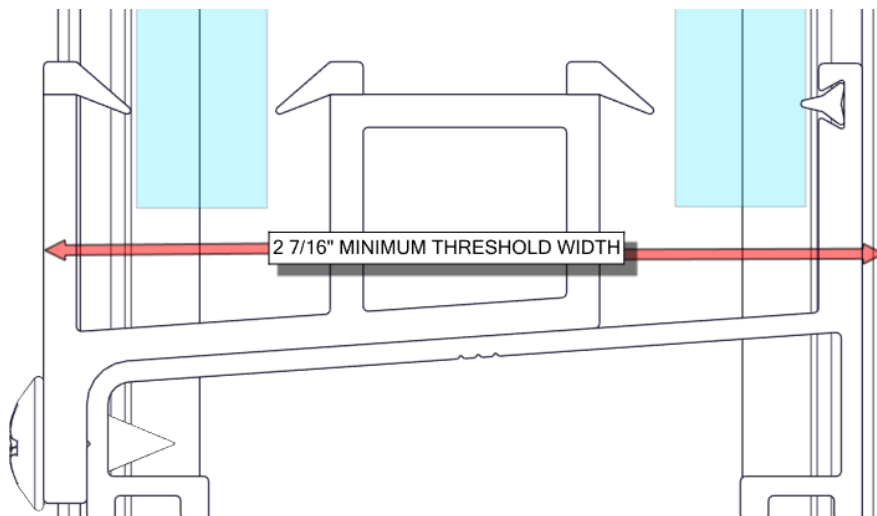
This unit maybe installed with the inner panel to either side.

In order to minimize chances of water leakage, please install the inner panel closest to the shower head. Installation with the inner panel opposite of the shower head when closed leaves a gap between the panels that water may pass through.



MINIMUM THRESHOLD WIDTH

This unit requires a minimum 2 7/16" threshold width.



The unit requires 2 7/16" of threshold width to ensure the unit does not hang off of the edge. It is up to the installer to determine if the threshold is wide enough to drill into so as to not damage the finished surface. Please take appropriate precautions to be sure tile surfaces are wide enough so that they are not broken during the installation process.

DRILLING HOLES

This unit maybe installed on many types of walls. Please reference this section to determine how to drill holes in your walls based on what material your walls are made of.

Fiberglass Enclosure: Use standard 1/8" drill bit to drill holes through the fiberglass wall material at marked locations. Place a small amount of silicone into each hole before installing the screw.

If the fiberglass enclosure will not hold the screw:

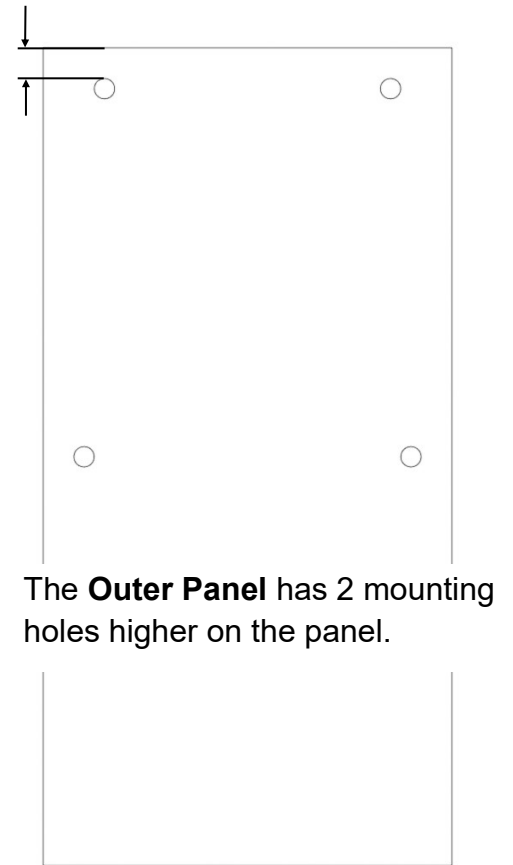
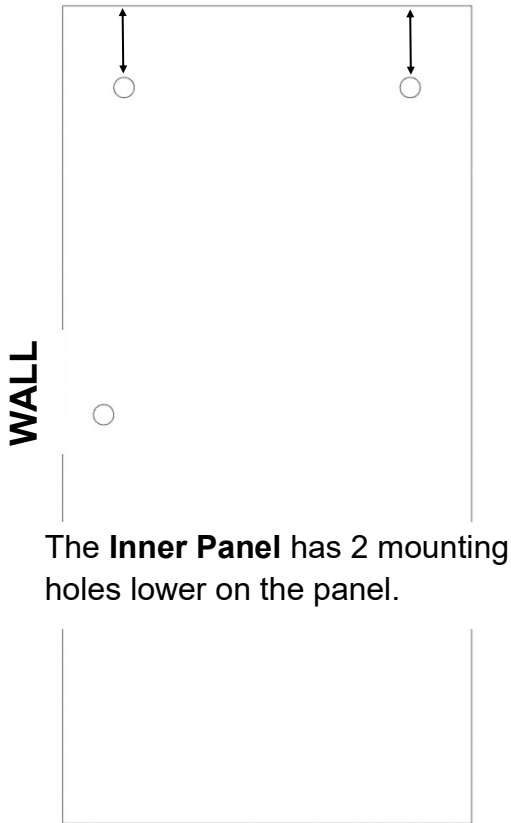
Drill a 3/16" hole at the marked location. Insert a small amount of silicone into each hole. Place a supplied blue wall plug into the hole. With a razor blade, carefully cut the head off of wall plug so it is flush with the finished wall material.

Tile or Solid Surface *with* Blocking: Use a center punch at each marked location to prevent the drill from walking. Use a 3/16" masonry bit to drill through the finished wall material (tile and backer board) **ONLY**. Use a standard 1/8" drill bit to drill 1" deep pilot holes in the blocking. Insert a small amount of silicone in each hole before installing the screw. 1" thread engagement of screws in blocking is required. The customer maybe required to supply their own screws based on their finished wall material thickness.

Tile or Solid Surface *without* Blocking: Use a center punch at each marked location to prevent the drill from walking. Use a 3/16" masonry bit to drill through the wall material. Insert a small amount of silicone into each hole. Place a supplied blue wall plug into the hole. With a razor blade, carefully cut the head off of wall plug so it is flush with the finished wall material.

IDENTIFY GLASS PANELS

If the panels have the *Aquaglide XP* coating, there will be labels identifying the coated side. Install the panels with the coated side to the inside.

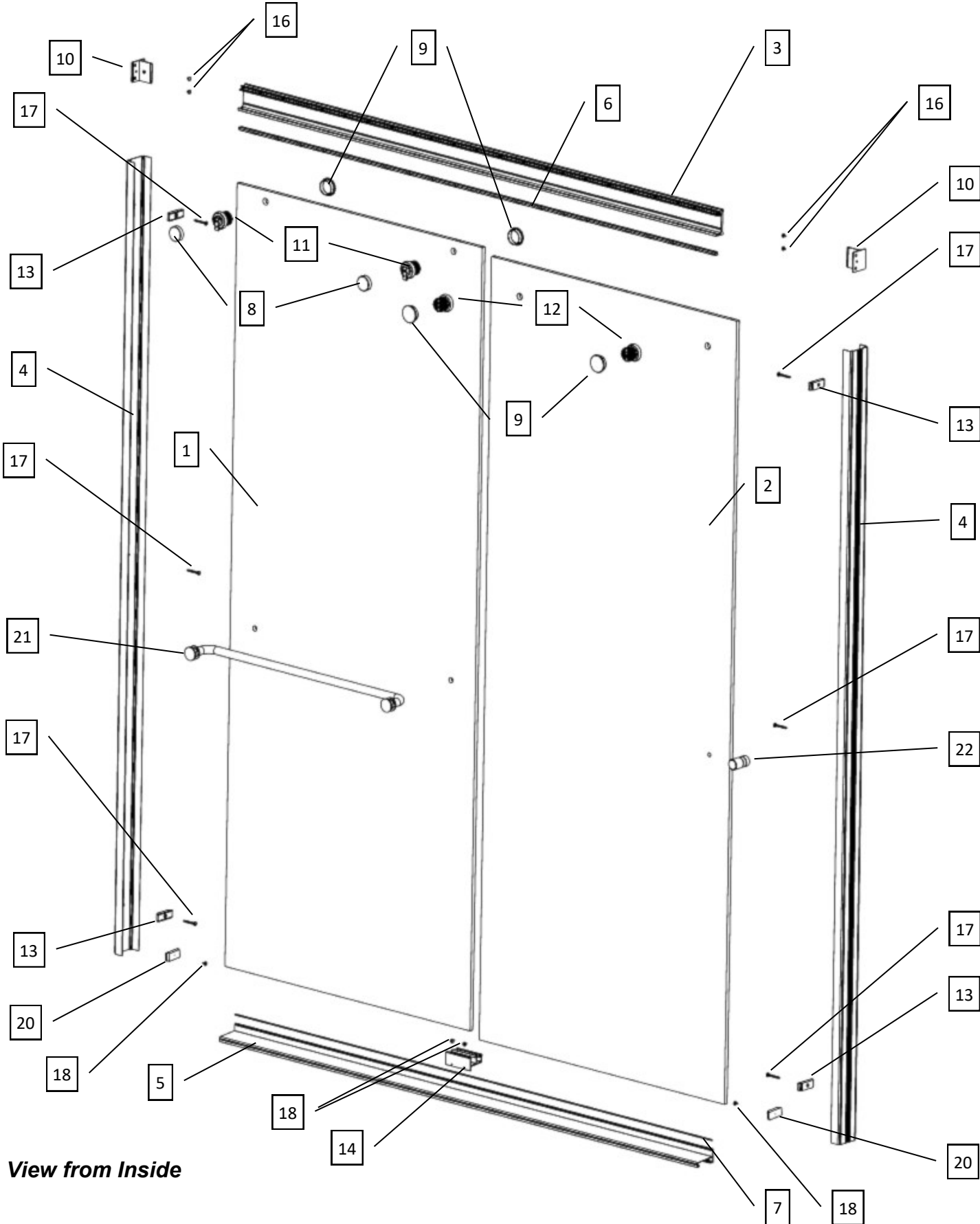


Parts List—3/8" Glass Exposed Roller Bypass Slider

ITEM NO.	NUMBER	DESCRIPTION	QTY.
1		GLASS PANEL, OUTER	1
2		GLASS PANEL, INNER	1
3	SC923	HEADER	1
4	SC926	WALL JAMB	2
5	SC931	TRACK	1
6	LV09350060XBK00	ANTI-JUMP RAIL	1
7	SCV190-60	SILENCER TUB TRACK, VINYL	1
	PPRRTL01SV, OR, BN	PARTS PAK #1	
8	SC4251	CAP, BACK	2
9	SC4250	CAP, FRONT	4
10	SC4253	WALL MOUNT BRACKET	2
	PPRTL03XX	PARTS PAK #3	
11	SC4249T	ROLLER, TOP	2
12	SC4249B	ROLLER, BOTTOM	2
13	SC4259	BUMPER	4
14	SC8954	BOTTOM GUIDE	1
15**	SC4106	PLASTIC WALL PLUG	10
16	SCR02	#8 X 1/4 TRUSS HEAD SCREW	6
17	SCR10	#8 x 1-1/2" TRUSS HEAD SCREW	10
18	SCR30	#8 x 3/8"	4
19**	SC5116	2.5mm ALLEN WRENCH	1
20	SCV960	HOLD DOWN	2
	AVAILABLE HARDWARE		
21	TB44xx	TOWEL BAR	1
22	KBCS-50AI	KNOB	1

** Part is not shown

Exploded View—3/8" Glass Exposed Roller Bypass Slider



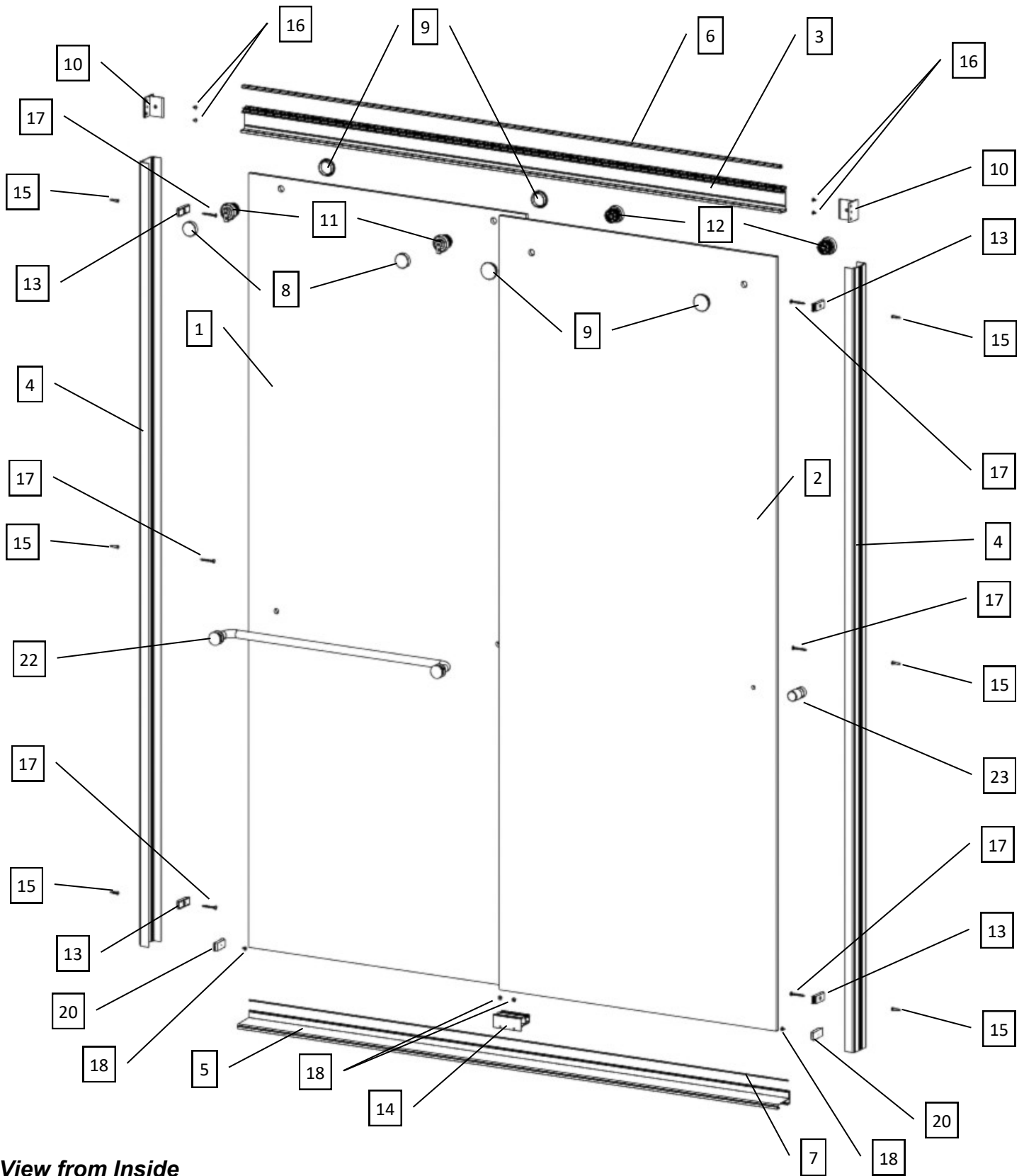
View from Inside

Parts List—1/4" Glass Exposed Roller Bypass Slider

ITEM NO.	NUMBER	DESCRIPTION	QTY.
1		GLASS PANEL, OUTER	1
2		GLASS PANEL, INNER	1
3	SC923	HEADER	1
4	SC926	WALL JAMB	2
5	SC931	TRACK	1
6	LV09350060XBK00	ANTI-JUMP RAIL	1
7	SCV190-60	SILENCER TUB TRACK, VINYL	1
	PPRTL01SV, OR, BN	PARTS PAK #1	
8	SC4251	CAP, BACK	2
9	SC4250	CAP, FRONT	4
10	SC4253	WALL MOUNT BRACKET	2
	PPRTL02XX	PARTS PAK #2	
11	SC4249T	ROLLER, TOP	2
12	SC4249B	ROLLER, BOTTOM	2
13	SC4259	BUMPER	4
14	SC8953	BOTTOM GUIDE	1
15	SC4106	PLASTIC WALL PLUG	10
16	SCR02	#8 X 1/4 TRUSS HEAD SCREW	6
17	SCR10	#8 x 1-1/2" TRUSS HEAD SCREW	10
18	SCR30	#8 x 3/8"	4
19**	SC5116	2.5mm ALLEN WRENCH	1
20	SCV960	HOLD DOWN	2
21**	SC5118	M5-0.8 X 25	2
	AVAILABLE HARDWARE		
22	TB44xx	TOWEL BAR	1
23	KBCS-50AI	KNOB	1

** Part is not shown

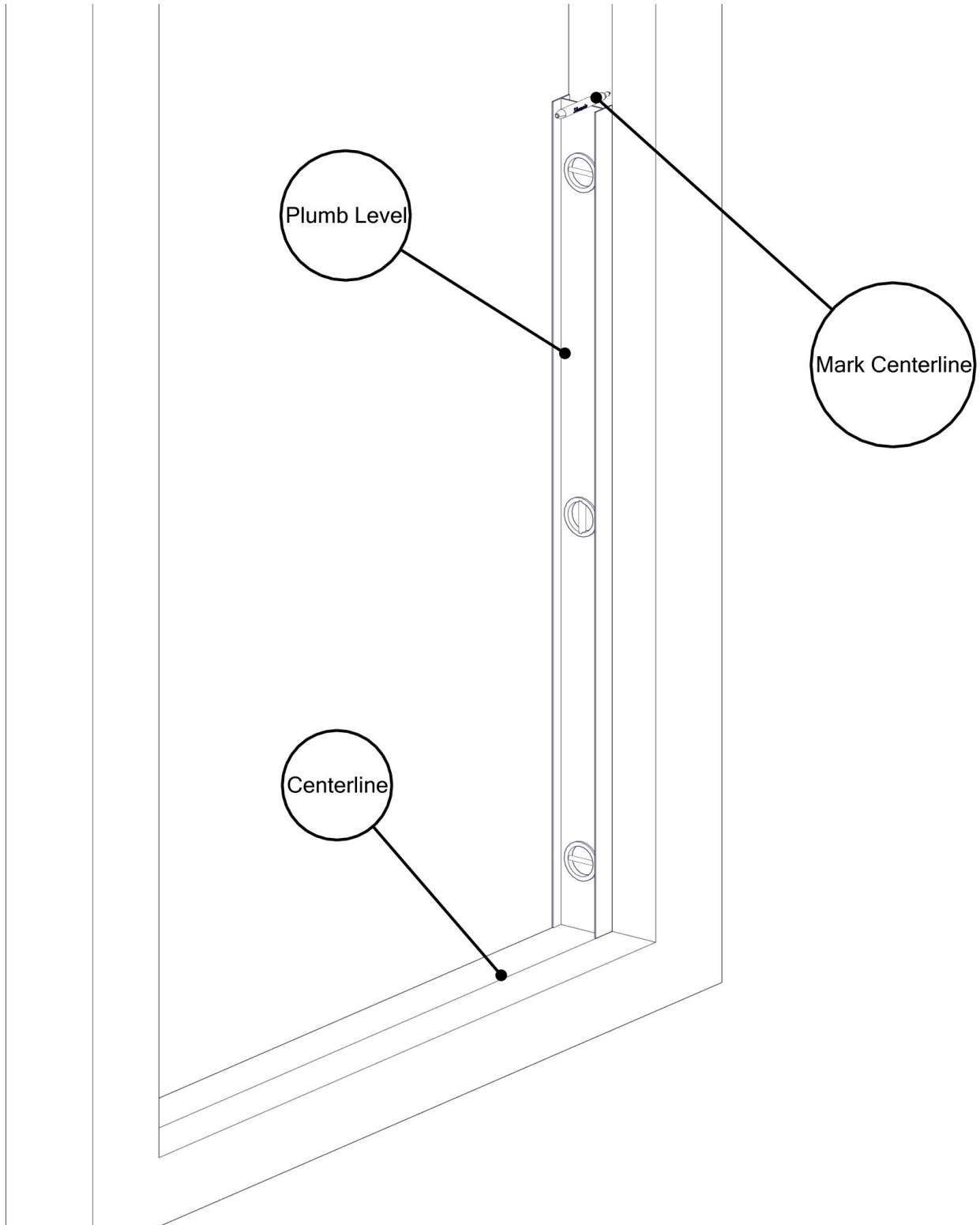
Exploded View—1/4" Glass Exposed Roller Bypass Slider



View from Inside

1 Determine location of the unit centerline on the threshold.

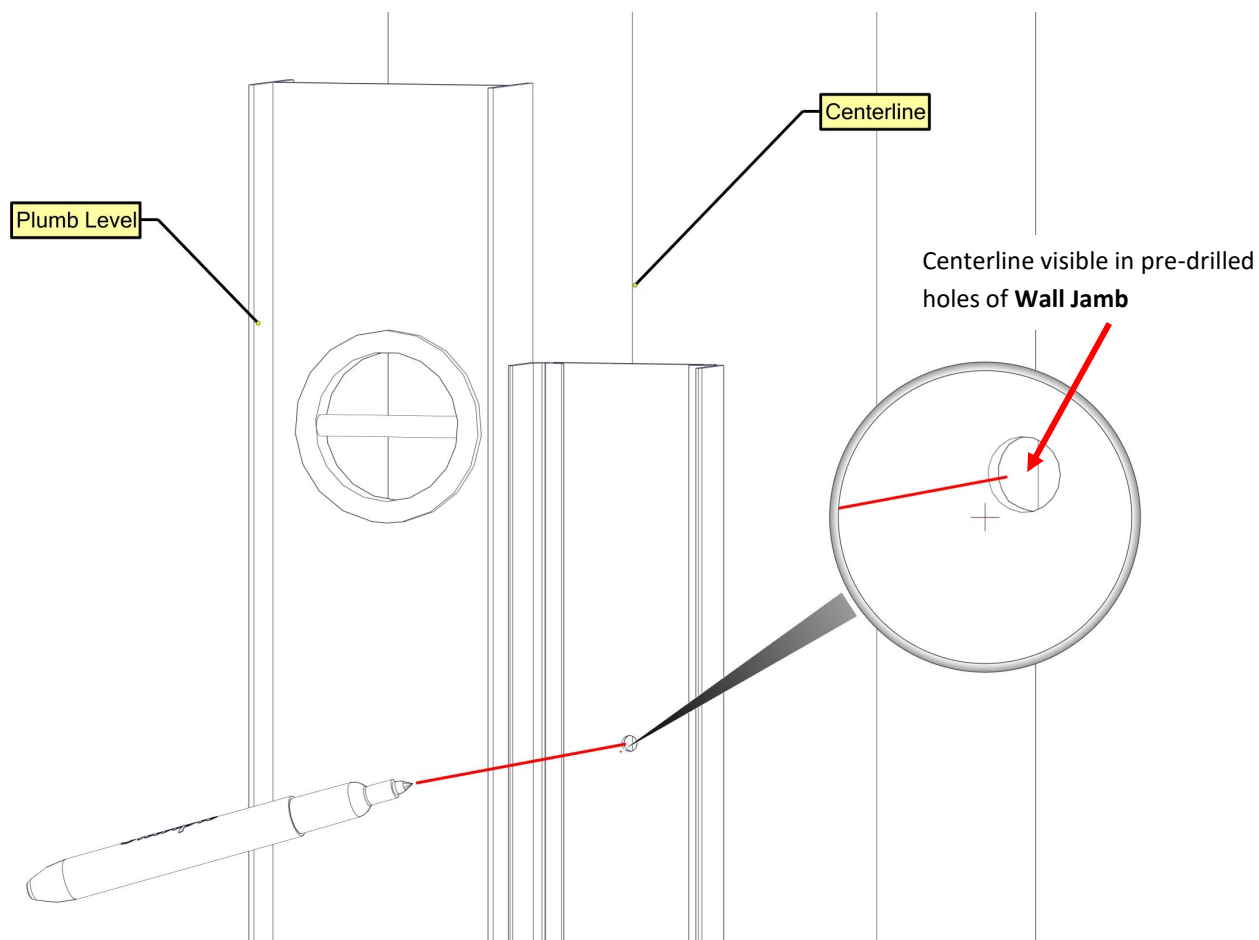
Mark a continuous centerline on both walls starting where the threshold centerline meets the wall. Use a level to ensure the wall centerline is plumb and straight. The wall centerline should be a minimum of the unit height from the threshold.



2 Place a **Wall Jamb** on each wall. Align the **Wall Jamb** with the marked centerline running through the pre-drilled holes.

Use a level to confirm the **Wall Jamb** is plumb. Mark the hole locations.

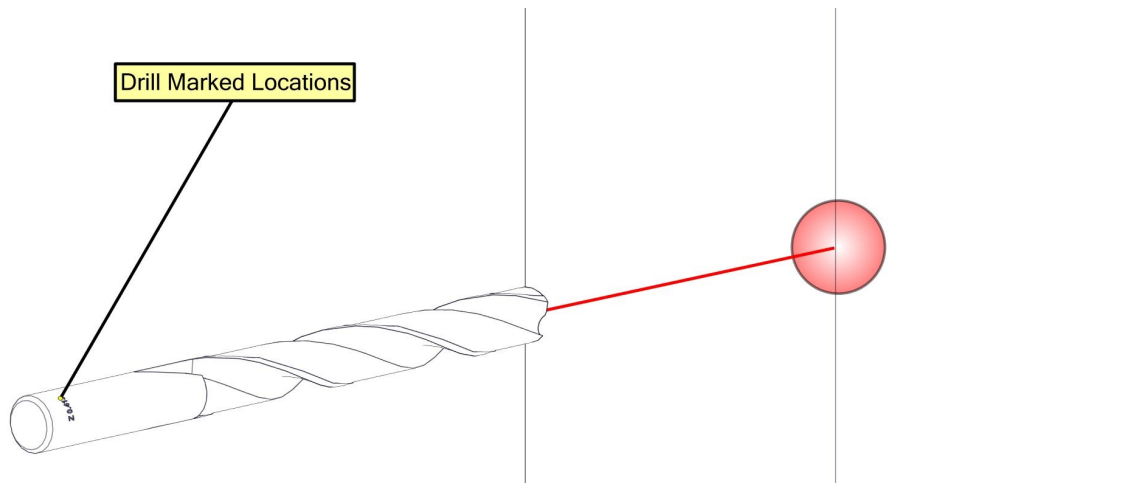
If custom size door, make sure the correct end of the wall jamb is towards the top. The correct top-side will have the hole 4-7/16" from the edge.



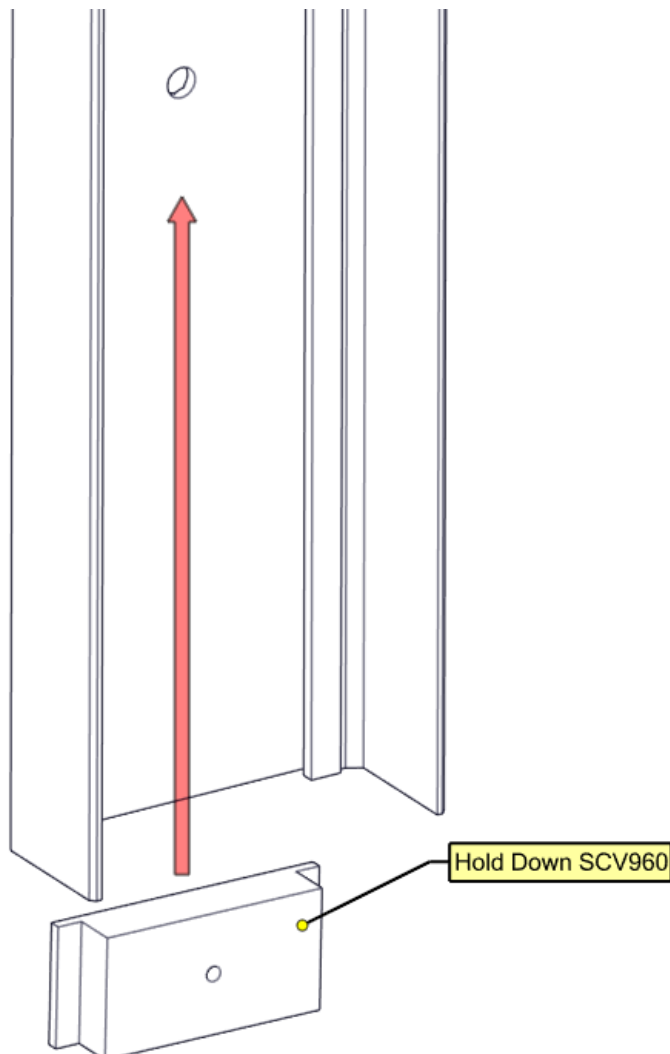
PRO-TIP: The top of the wall jambs come with round edges.

Depending how your wall and threshold meet, you maybe required to modify the wall jamb to fit.

3 Drill the 6 marked locations. Drill holes as described on page 4

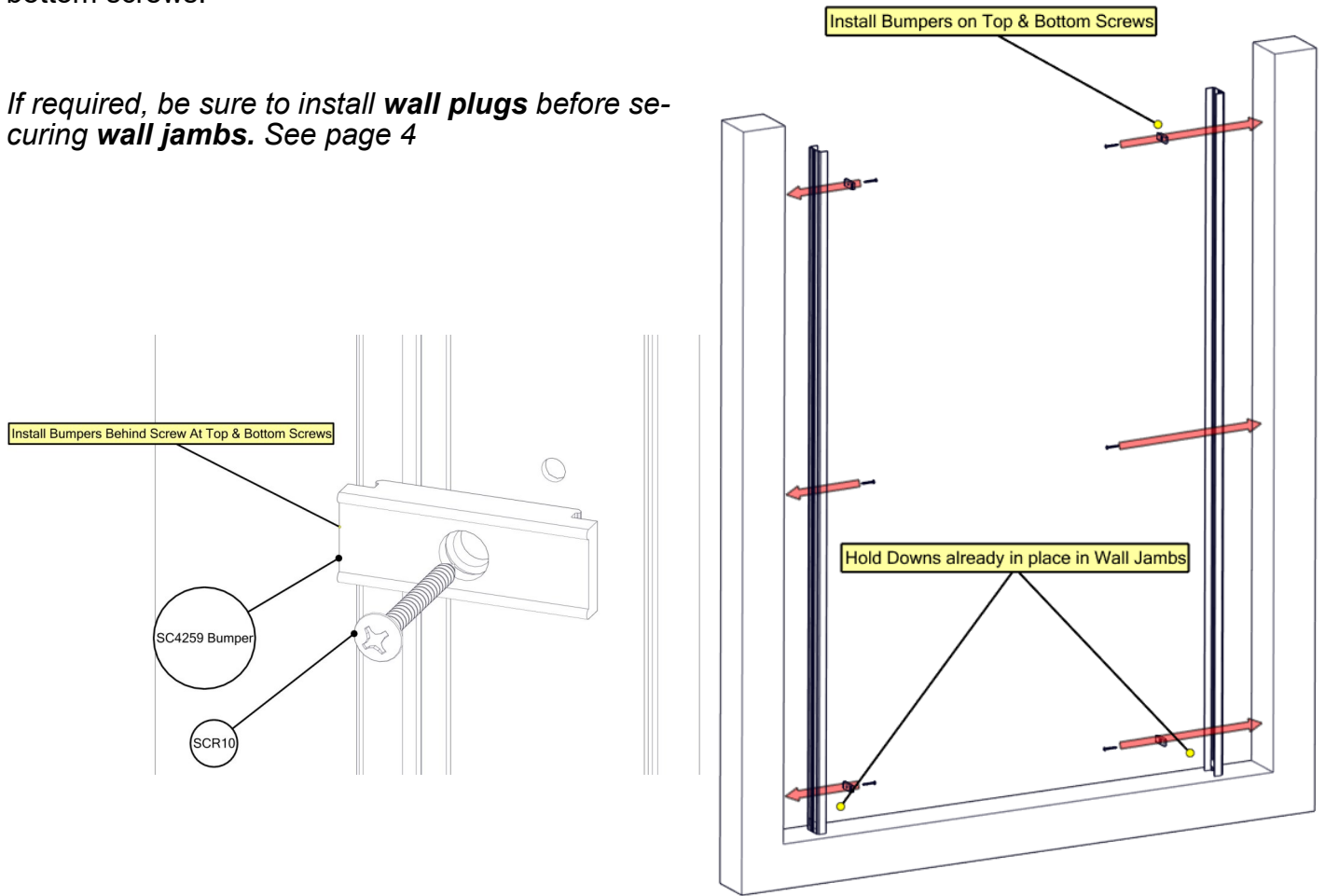


4 Insert the **SCV960 Hold Downs** on the bottom of the **Wall Jamb**, slide it up to about 1 inch below the predrilled hole, and use tape to temporarily hold them up and keep them out of the way.

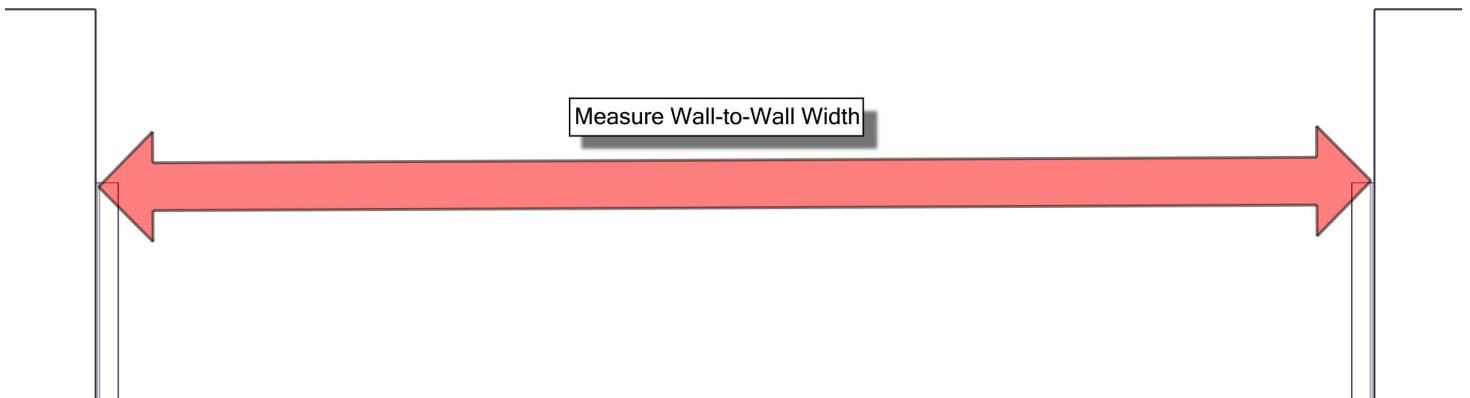


5 Set the **Wall Jamb** in place. Secure with 6 **SCR10 Wall Jamb Screws**. Install 4 **SC4259 Bumpers**, 1 each on top and bottom screws.

*If required, be sure to install **wall plugs** before securing **wall jambs**. See page 4*



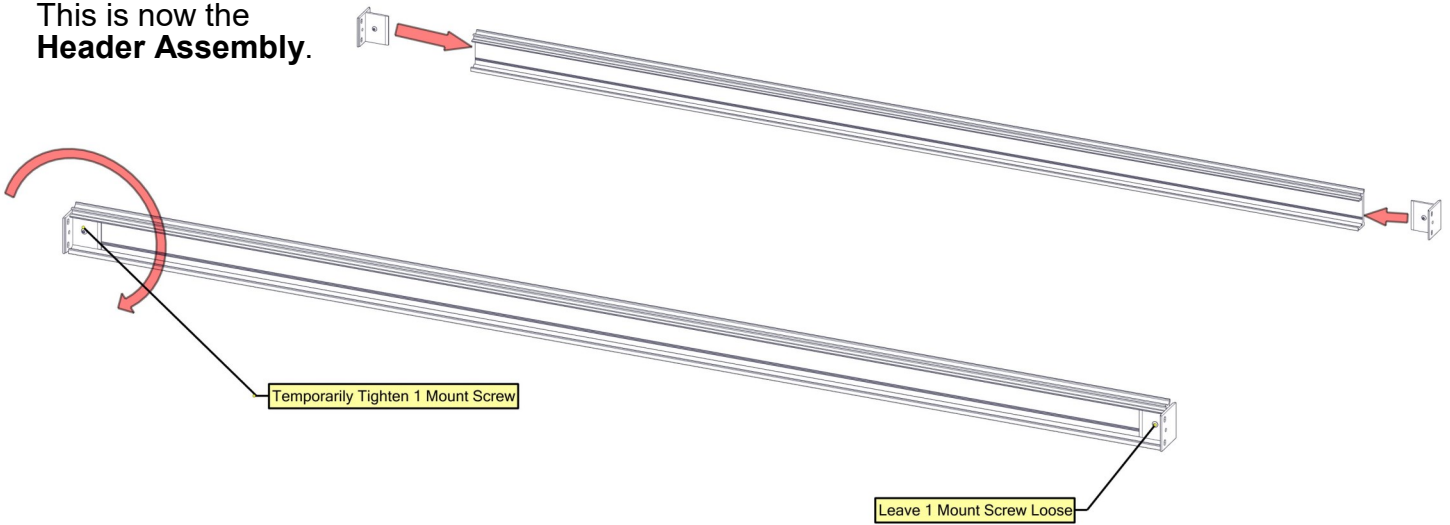
6 Measure the Wall-to-Wall distance at the top of the **Wall Jamb**. Record the measurement [T]: _____”



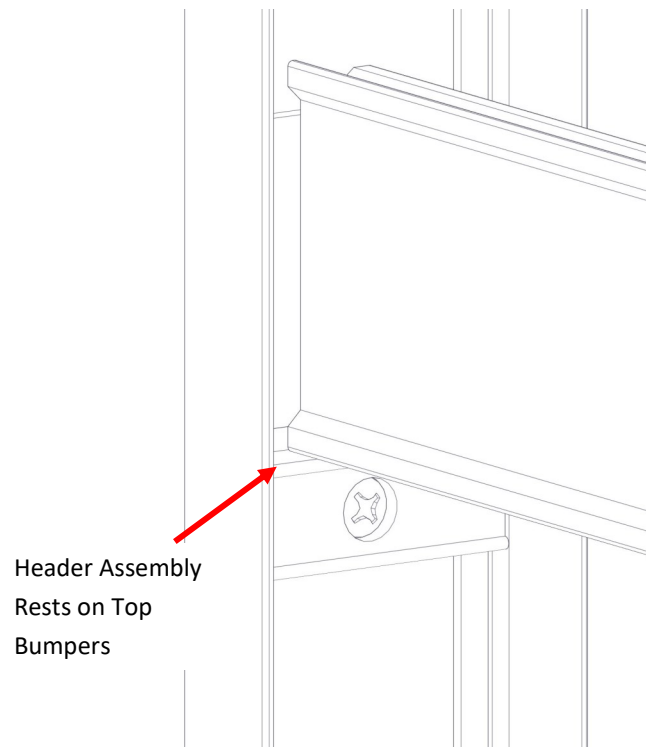
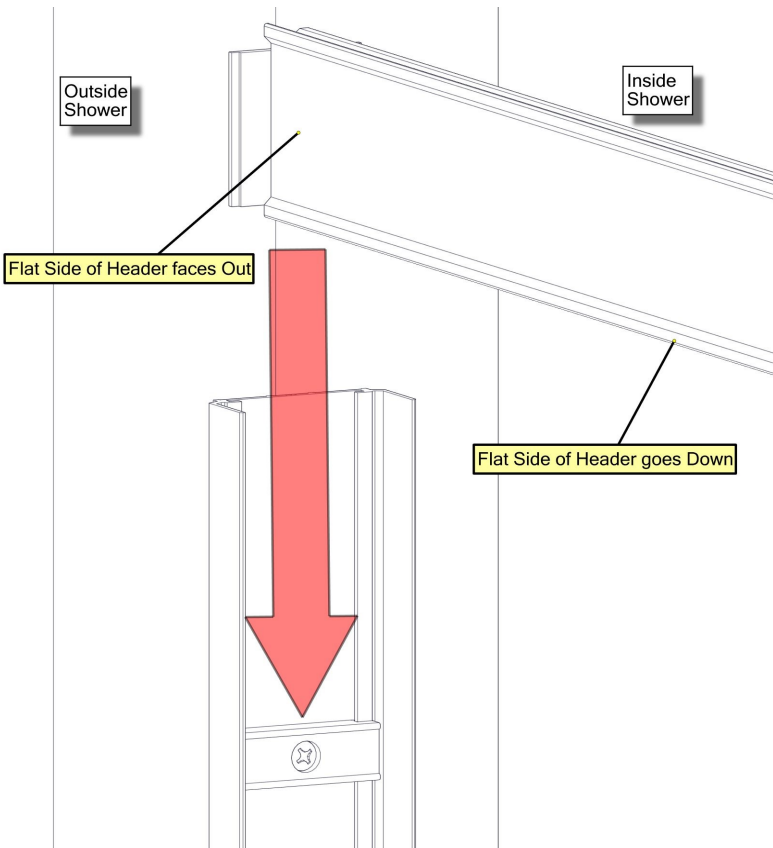
7 Subtract 1/2” from the measurement [T]. $[T] - 1/2'' = \underline{\hspace{2cm}}$ [HC]
Cut the **Header** to length [HC].

8 Slide the **Header Mount Brackets** into each side of the **Header**. Temporarily tighten the mount screw on *one* side.

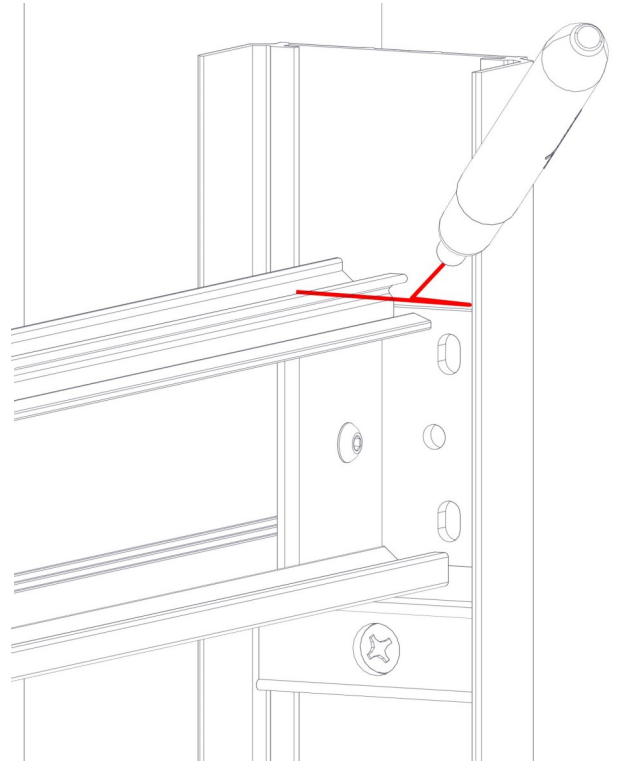
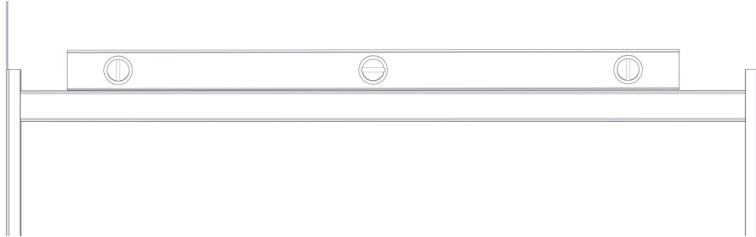
This is now the **Header Assembly**.



9 Lower the **Header Assembly** into the **Wall Jamb**s, being sure the **Header Mount Brackets** slide into the grooves of the **Wall Jamb**. Rest the **Header Assembly** on the top **Bumpers**.

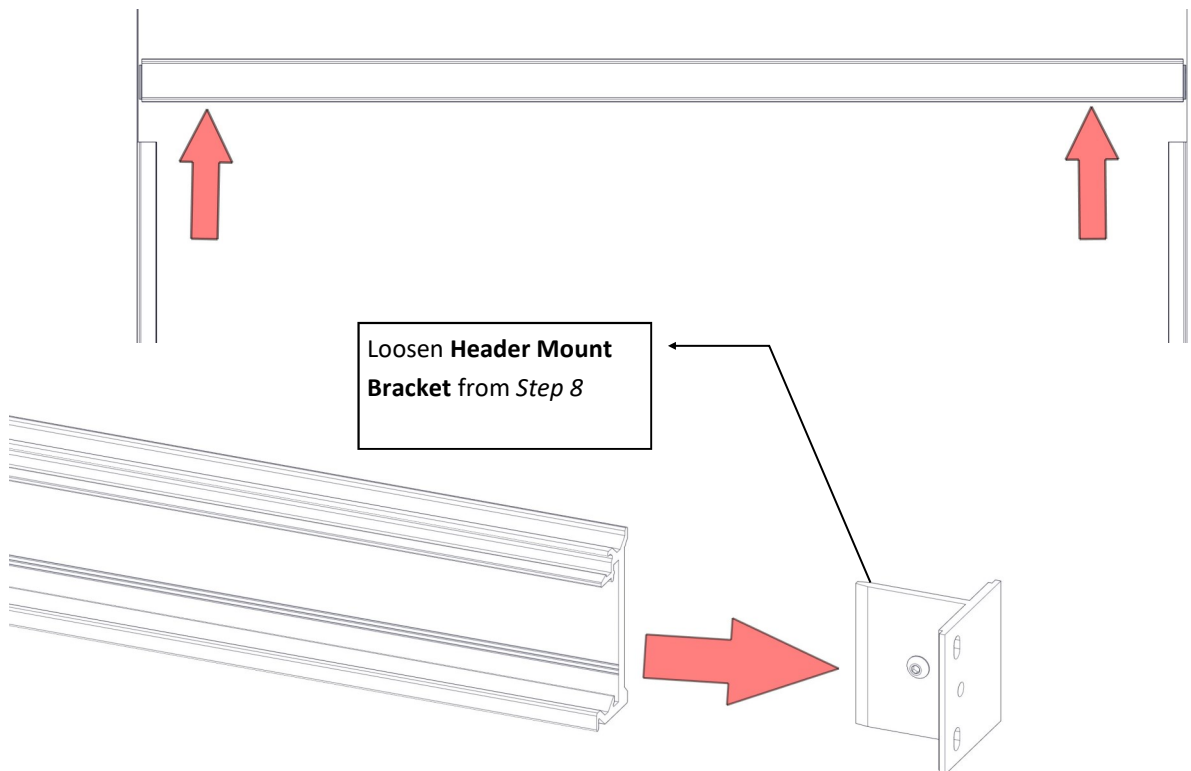


10 Use a 4' level to check the **Header Assembly** for level. To level the header, lift only 1 side from the **Top Bumper**. Mark the location of the **Header Mount Brackets** on the **Wall Jambs**.



11 Remove the **Header Assembly** from the **Wall Jambs**.

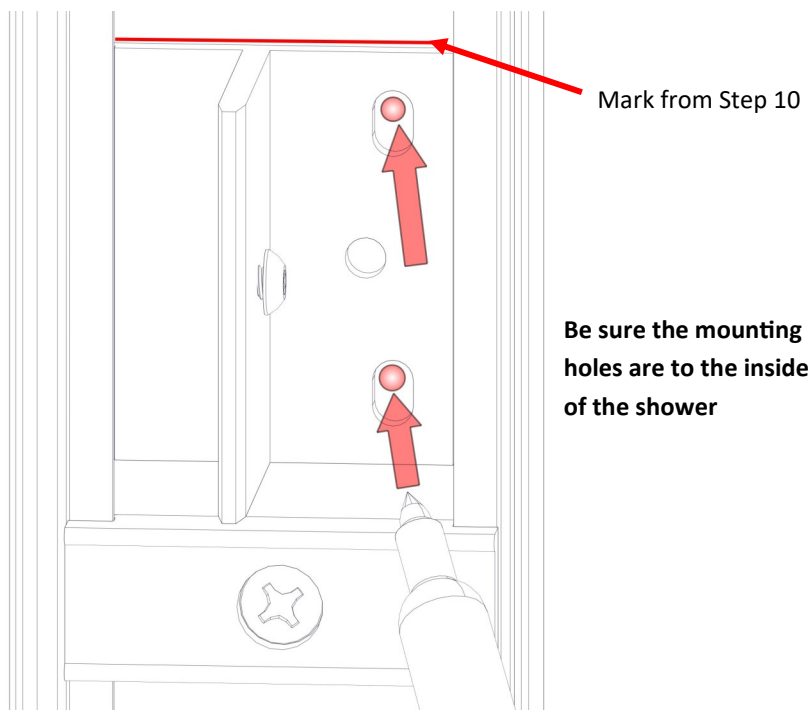
Remove the **Header Mount Bracket** from the **Header** that was not tightened in *Step 8*



12 Slide the **Header Mount Brackets** into each **Wall Jamb**. The 3 holes face *Inside the Shower*.

Align the **Header Mount Brackets** with the mark made in *STEP 10*. Mark the locations of the mounting slots as shown.

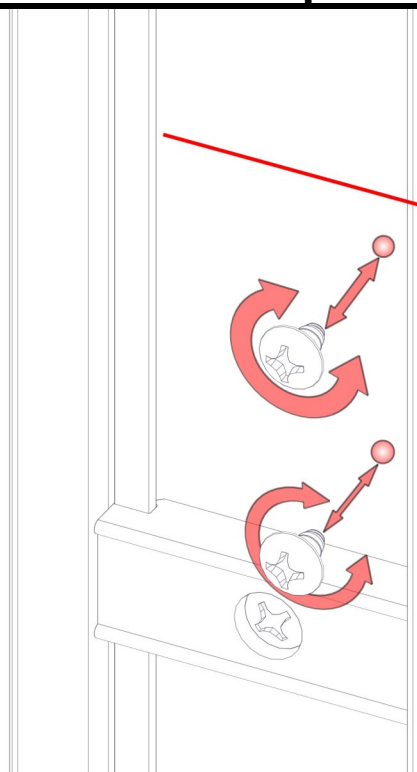
PRO-TIP: Make the holes near the top of the adjustment slots. If they are drilled accurately this will prevent the header from slipping out of adjustment in the future.



13 Remove the **Header Mount Brackets** and drill 1/8" holes at the 4 marked locations. Drill only through the aluminum **Wall Jamb**.

14 For easier installation of the **Header Assembly**, install and then remove the 4 **SCR02 Header Mount Screws**.

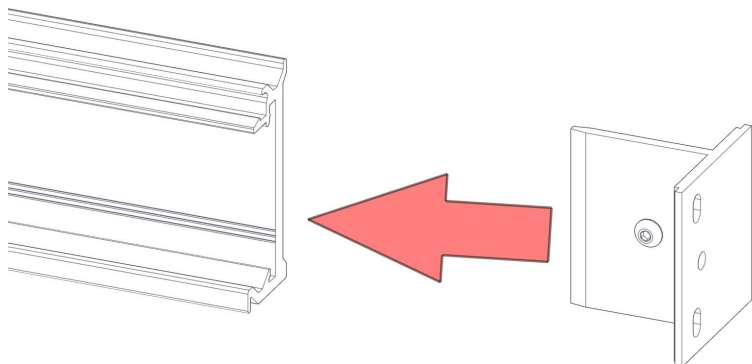
DO NOT use a power tool to prevent stripping the holes.



PRO-TIP: This step pre-threads the mounting holes to make final installation easier.

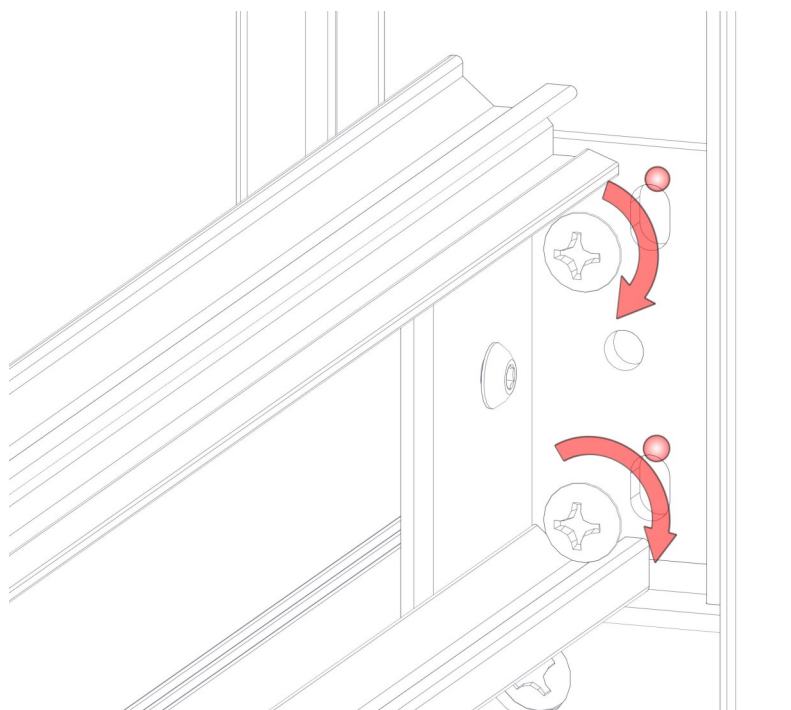
For even easier installation, a small amount of candle wax or bar soap on the threads will make installation of the screw easier and will help prevent stripping the head.

15 Reassemble the **Header** and **Header Mount Brackets**. Re-insert the **Header Assembly** into the **Wall Jambs**.

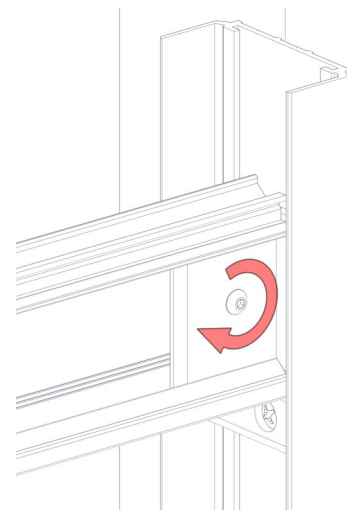


16 Install the **SCR02 Header Mount Screws** from *STEP 14*. Re-check the header for level. Make any final adjustments and secure the screws.

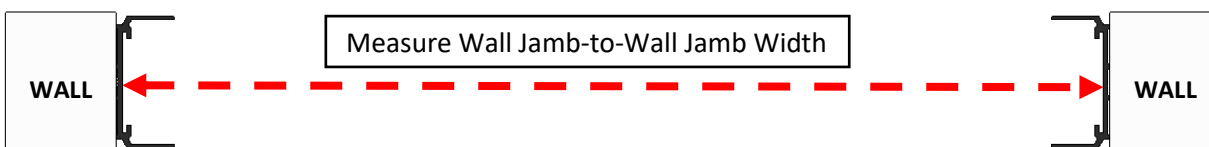
DO NOT use a power tool to prevent stripping the holes.



17 Using the provided **Allen Wrench**, tighten both **Header Set Screws**.

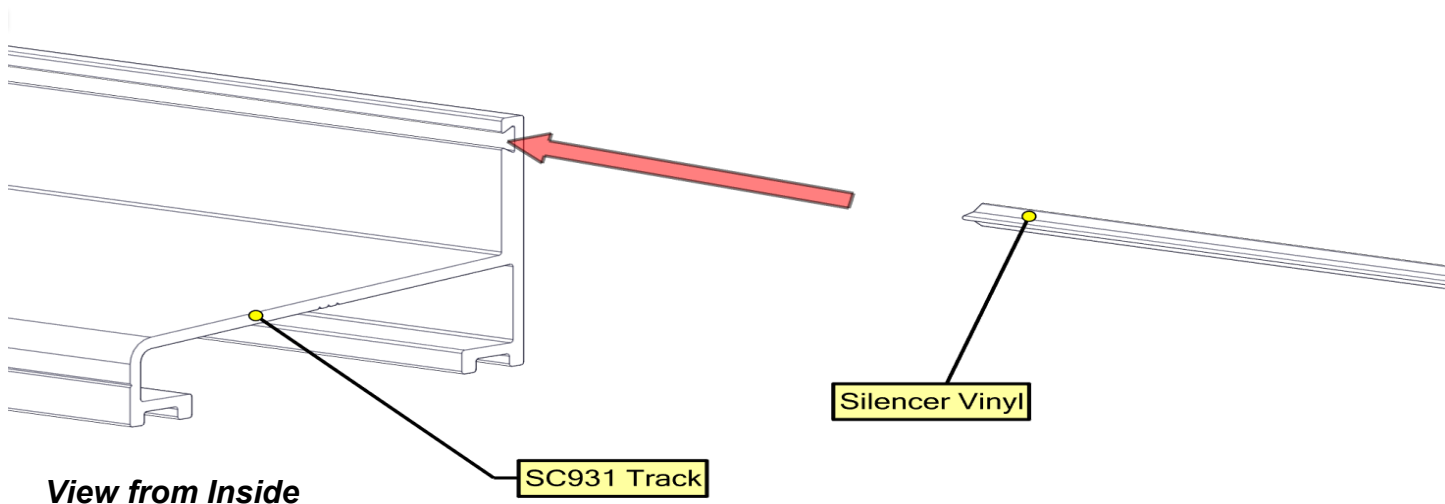


18 Measure the distance at the bottom of the threshold, **Wall Jamb-to-Wall Jamb**.
Record the measurement [TW]: _____"
SUBTRACT 3/8"
Cut the **Curb Length [CL]** to: _____



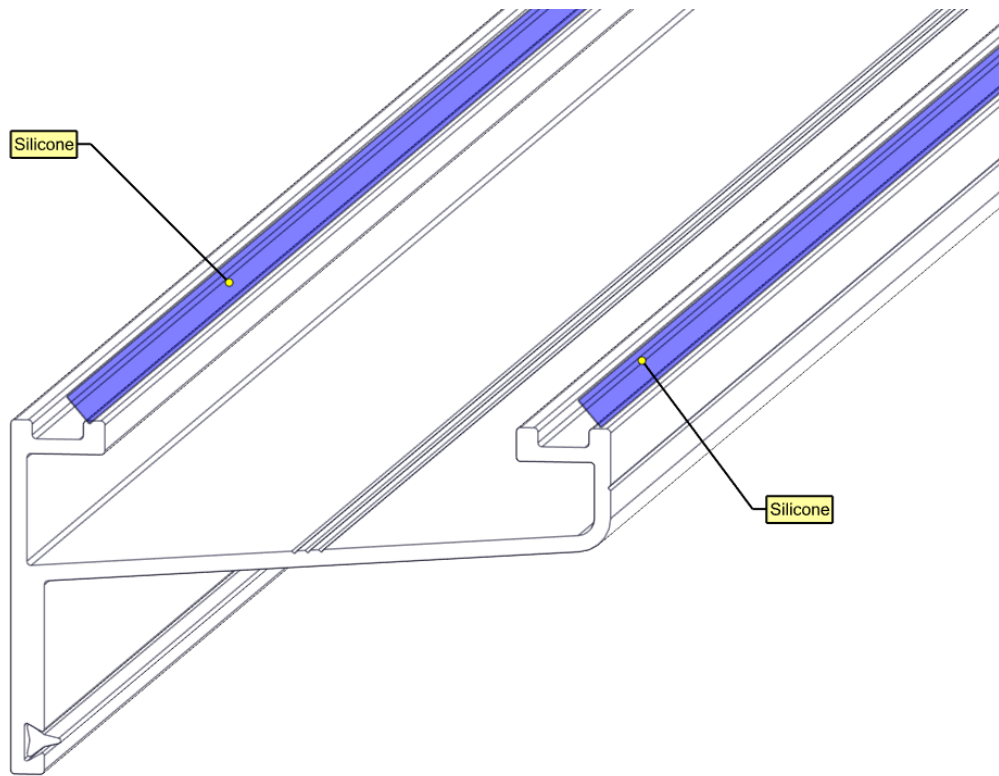
Top Down View

19 If the **Silencer Vinyl** was not already inserted, slide the **SCV190 Silencer Vinyl** into the **Track**.
Trim to length. This is the **Track**.

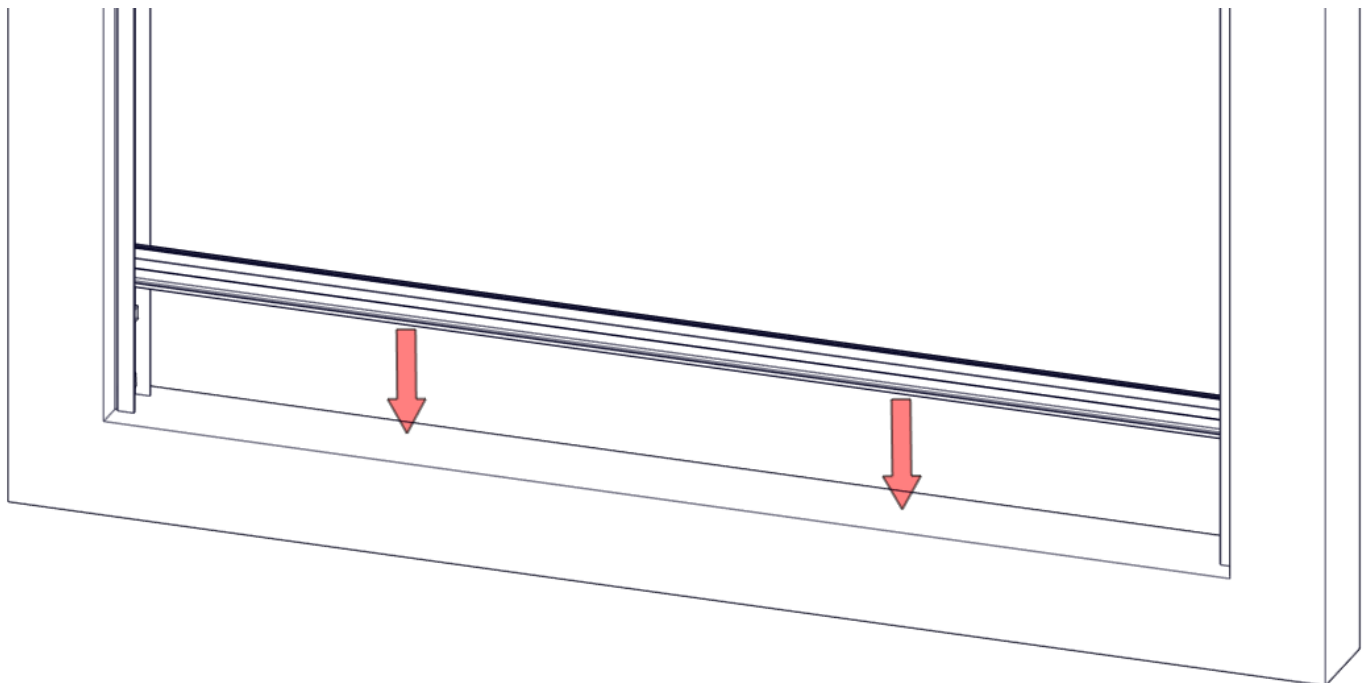


View from Inside

20 Apply a 3/16" bead of silicone in the two grooves of the bottom side of the **Track** for the entire length of the track.

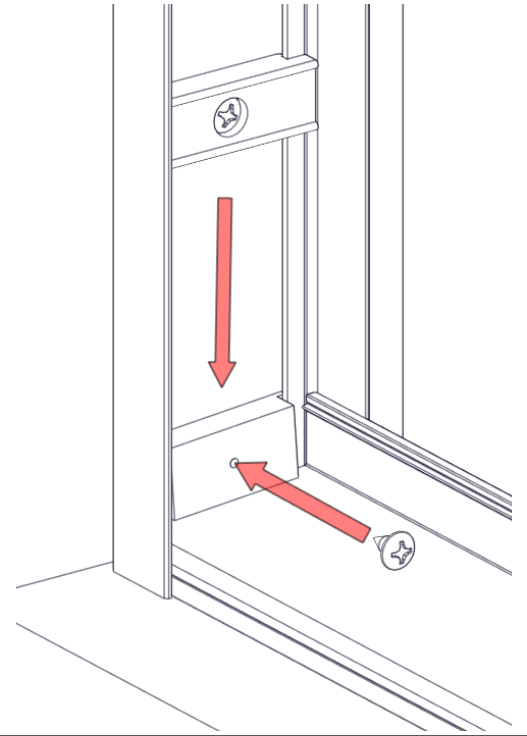


21 Carefully put the **Track** into place on the threshold. The lip of the curb will be on the outside of the shower



22 Un-tape the **Hold Downs** and slide them to clamp down on the **Track** tightly. Then insert and tighten the **SCR30 Screw** into the **Hold Down**.

The **Screw** will push against the **Wall Jamb** and keep the **Hold Down** in place.

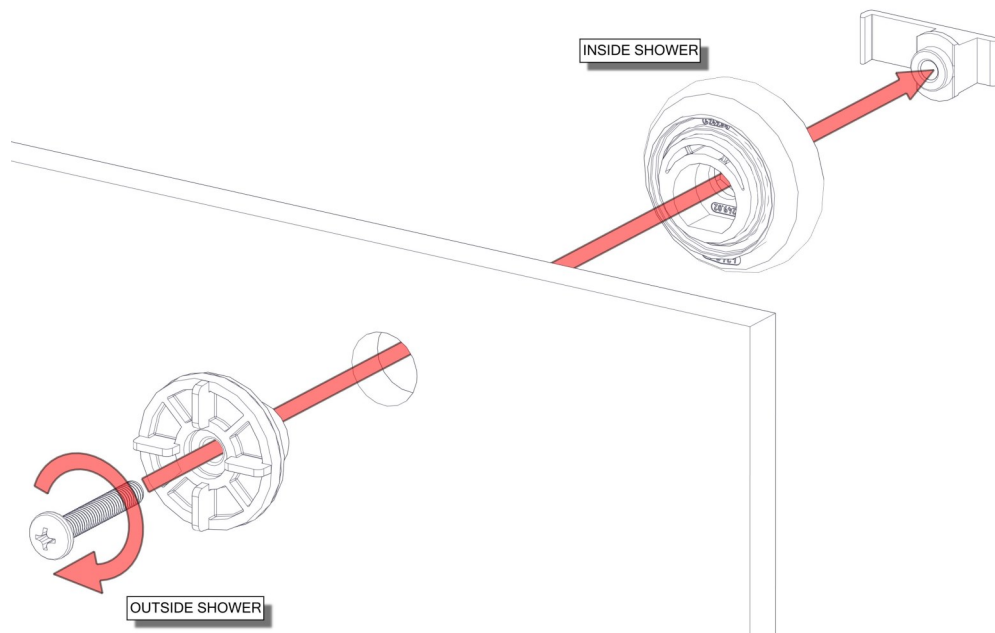


View from Inside

23 Install the rollers on the outer panel. The rollers will be on the inside of the shower.

- The rollers are mounted to adjustable cams. Install them with the rollers at the lowest position.
- Temporarily install the anti-jumps parallel to the floor.
- Only snug the screws for now.

NOTE: There are small part numbers on each part of the roller. All of them will face the glass.



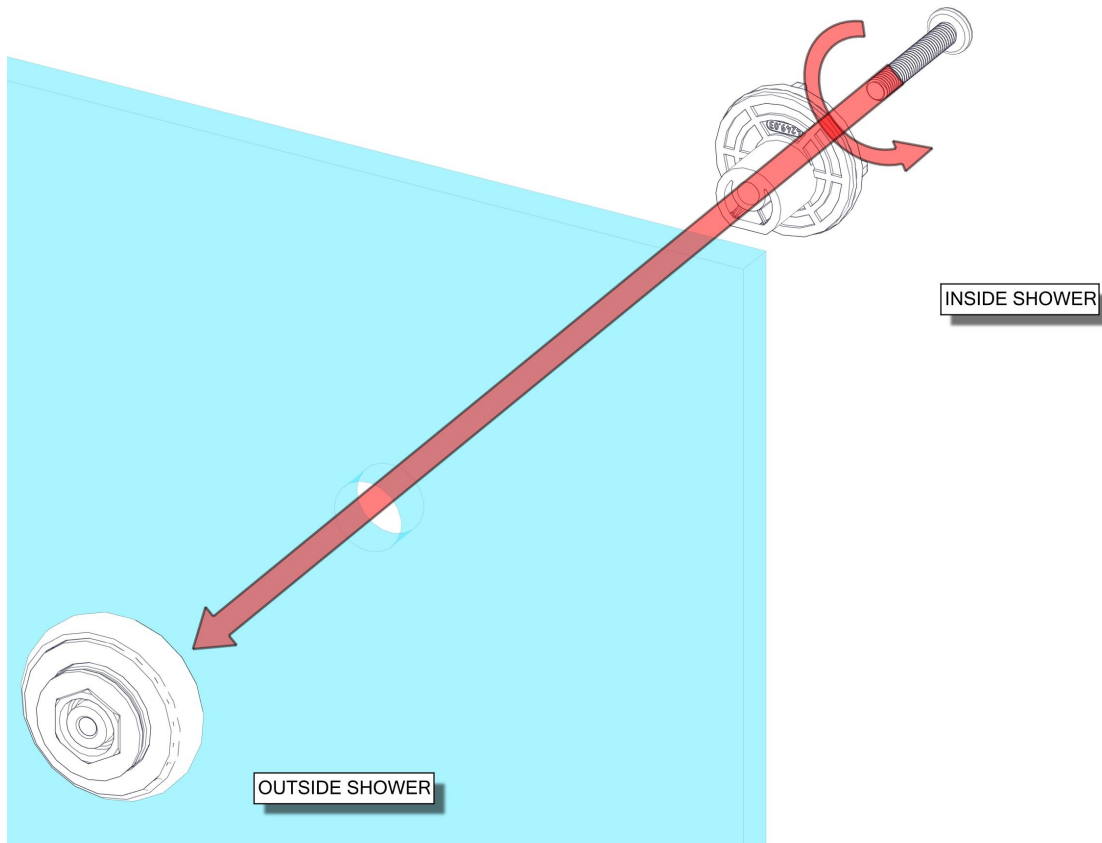
If using 3/8" glass continue to step 24A, if using 1/4" glass continue to 24B

24A Install the rollers on the inner panel. The rollers will be on the outside of the shower.

-The rollers are mounted to adjustable cams. Install them with the rollers at the lowest position.

-Only snug the screws for now.

NOTE: There are small part numbers on each part of the roller. All of them will face the glass.



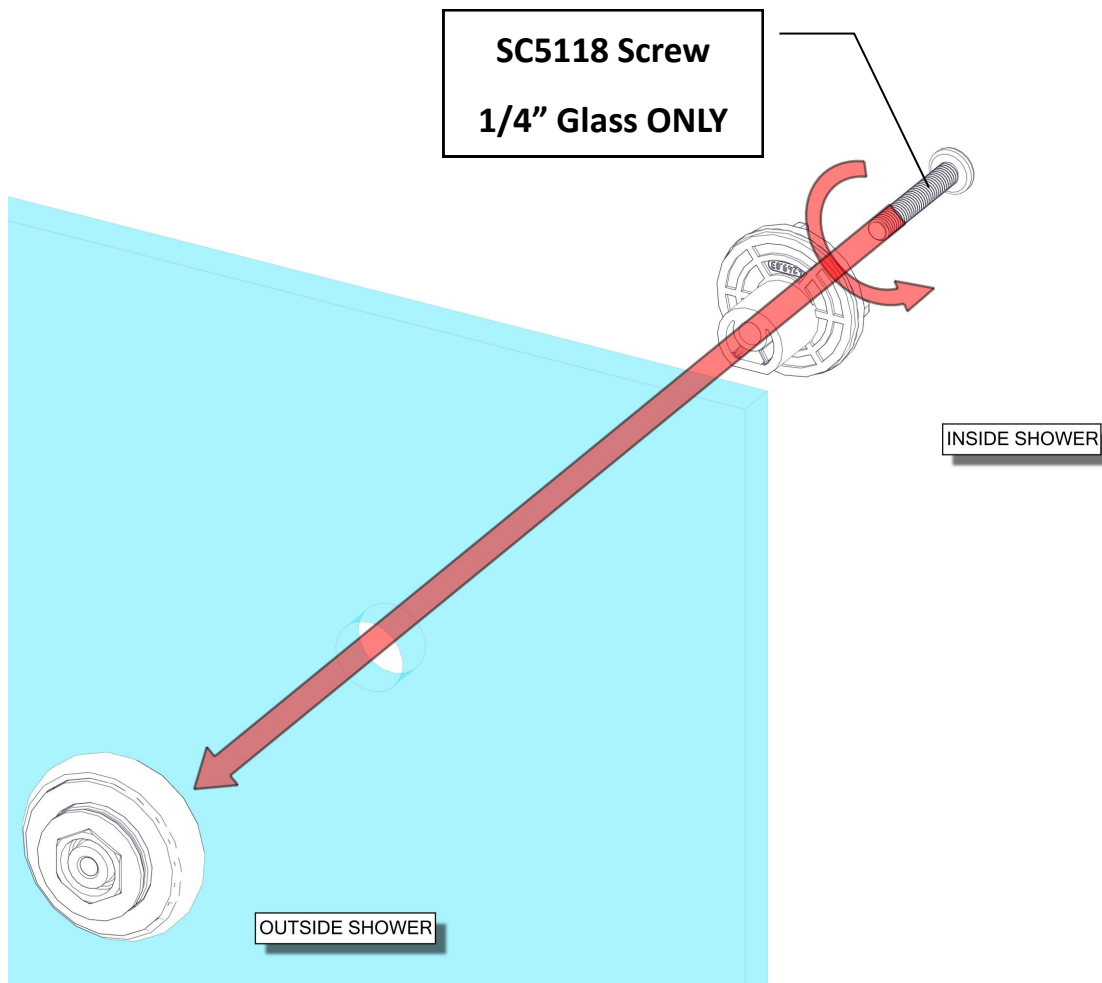
Continue on to step 25

24B Install the rollers on the inner panel. **MAKE SURE TO REPLACE THE INNER ROLLER SCREW WITH THE SC5118 Screw.** The rollers will be on the outside of the shower.

-The rollers are mounted to adjustable cams. Install them with the rollers at the lowest position.

-Only snug the screws for now.

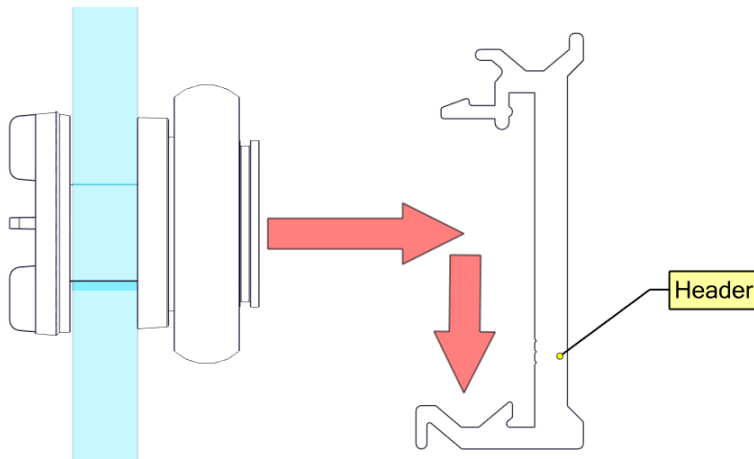
NOTE: There are small part numbers on each part of the roller. All of them will face the glass.



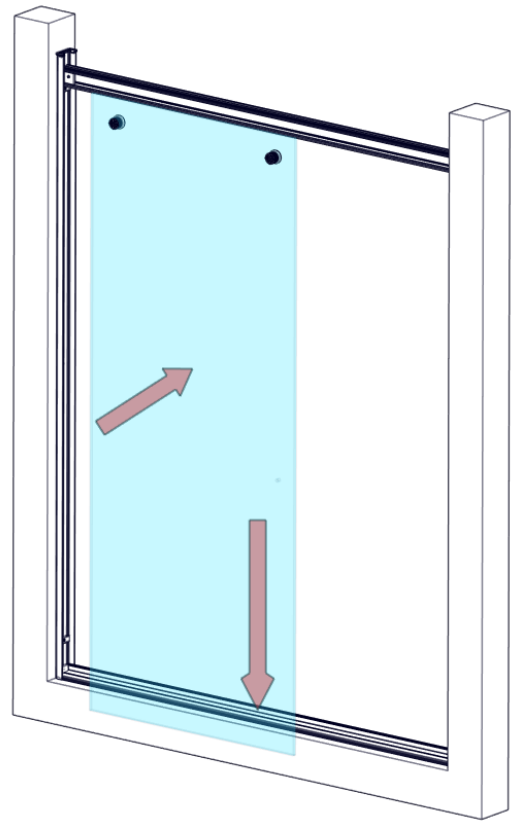
25 To prevent scratching the header during glass installation, apply masking tape to the front face of the header.

26 Lift the **Inner Panel Assembly** into place and be sure the rollers are in the track. Slide the **Panel** to 1 wall. It is easiest to set the glass near the middle of the header.

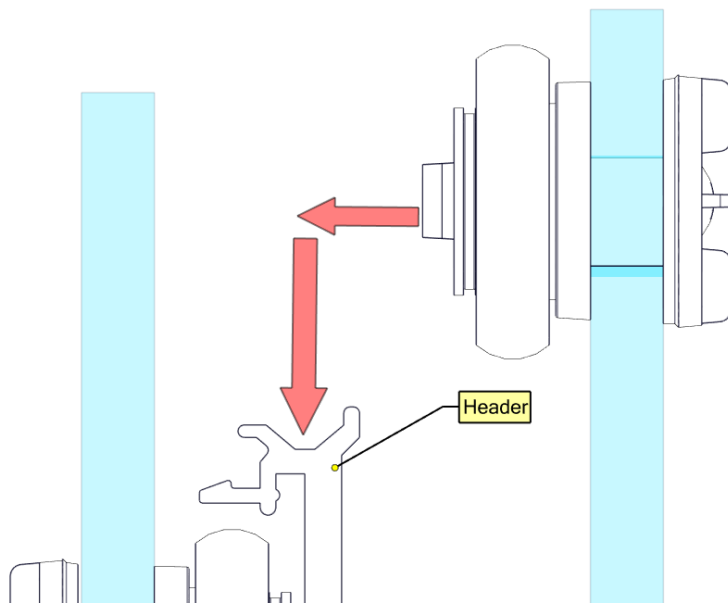
The glass is not secure yet. Do not leave unattended. Moving it may cause the glass to fall.



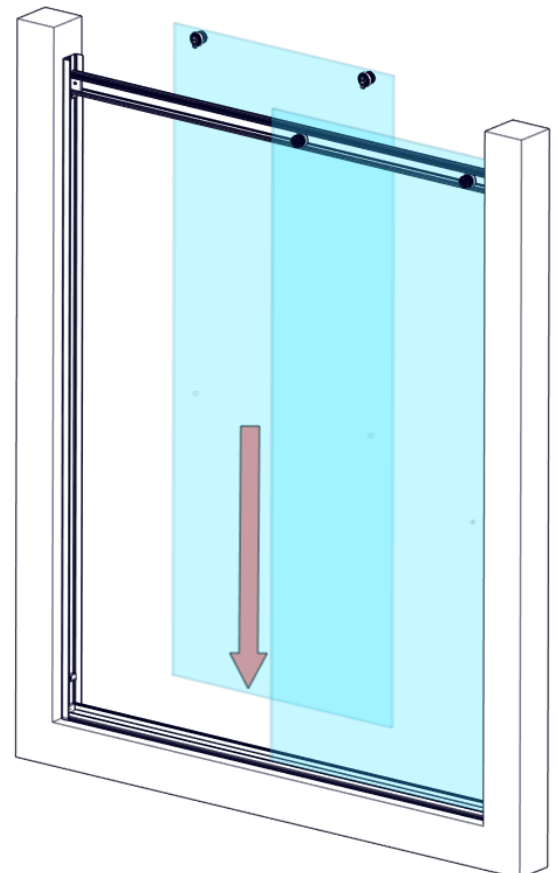
Side View



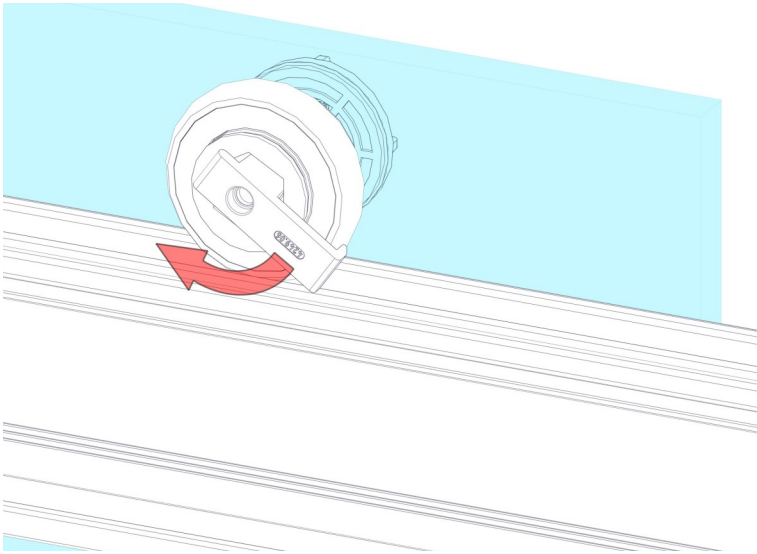
27 Lift the **Outer Panel Assembly** into place. Set the rollers in their grooves on the top of the header. Make sure the glass is inside the lip on the track.



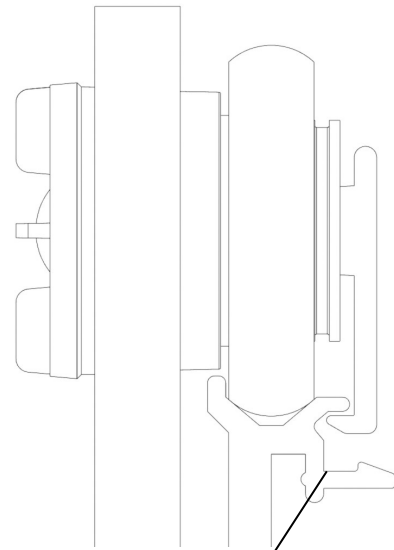
Side View



28 Slightly loosen the screws in both **Outer Panel Roller Assemblies**. Turn the **Anti-Jump** to vertical to latch them to the **Header Assembly**. It may be necessary to press the **Door Assembly** towards the header at the roller locations. Retighten the screws after adjusting the **Anti-Jump**.

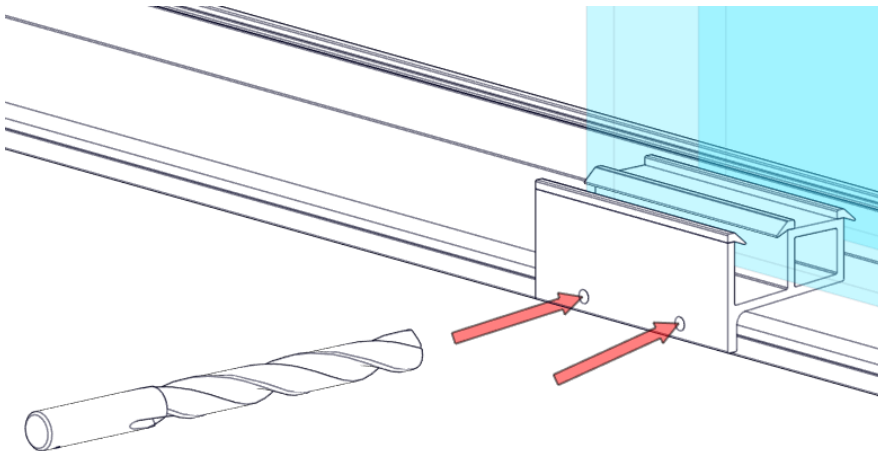
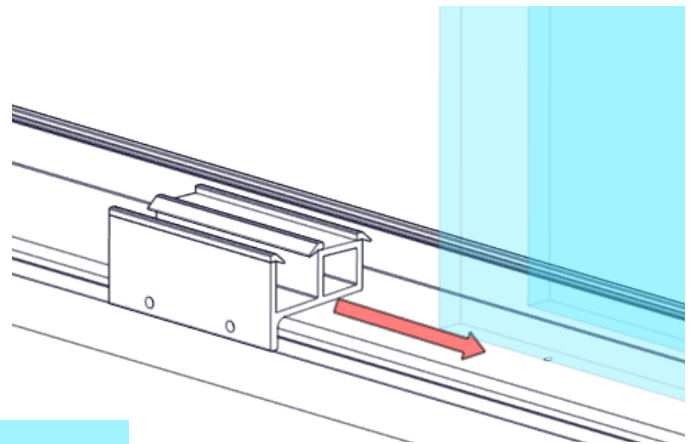


View from Inside



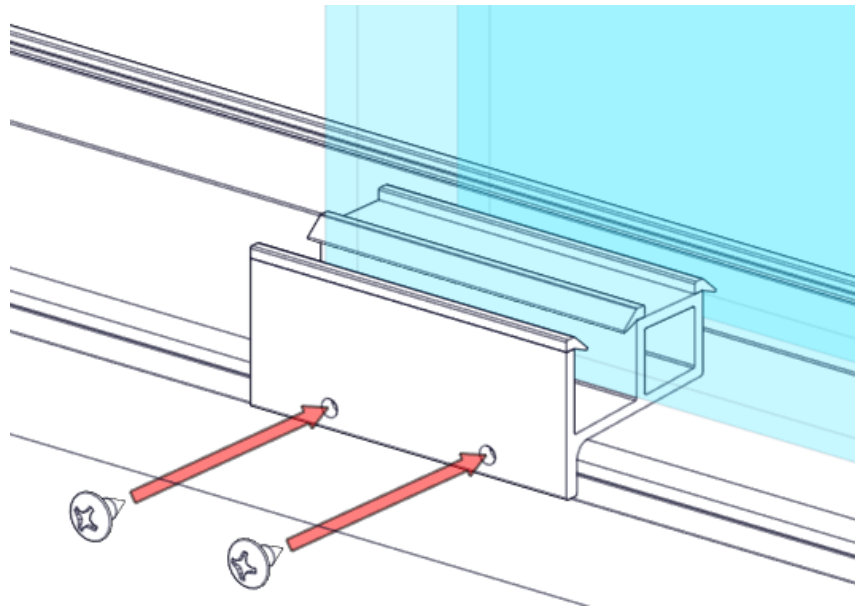
Adjust the Anti-Jump to latch seat under the lip on the header

29 Push the **Outer Panel** to the same side as the **Inner Panel**. Slide the **Bottom Guide** between the panels and center it along the length of the **Track**. Then pre drill the holes using the 1/8" drill bit.



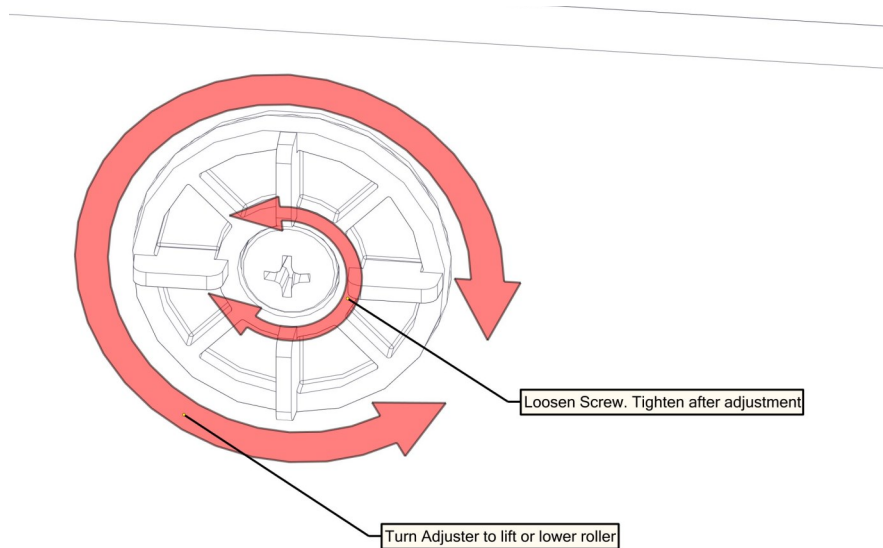
View from Inside

30 Fasten the **SCR30** (2) screws to the **Track Assembly** through the **Bottom Guide**.



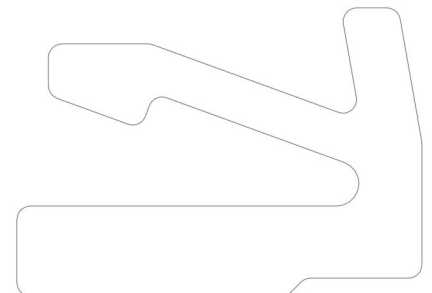
View from Inside

31 Carefully move each panel to its closed position. As required, slightly loosen the screws in each roller to adjust each panel. The panels should contact both bumpers on the wall they close against. After adjustment for gaps at the walls, final tighten the screws in each roller.



32 Header Cut Length [HC]: _____" From STEP 7
 Subtract : 1/2"
 Anti Jump Length [AJ]: _____"

Cut the **Anti-Jump Vinyl** to length [AJ].
 Then cut **Anti-Jump Vinyl** in half to make 2 pieces of equal length.



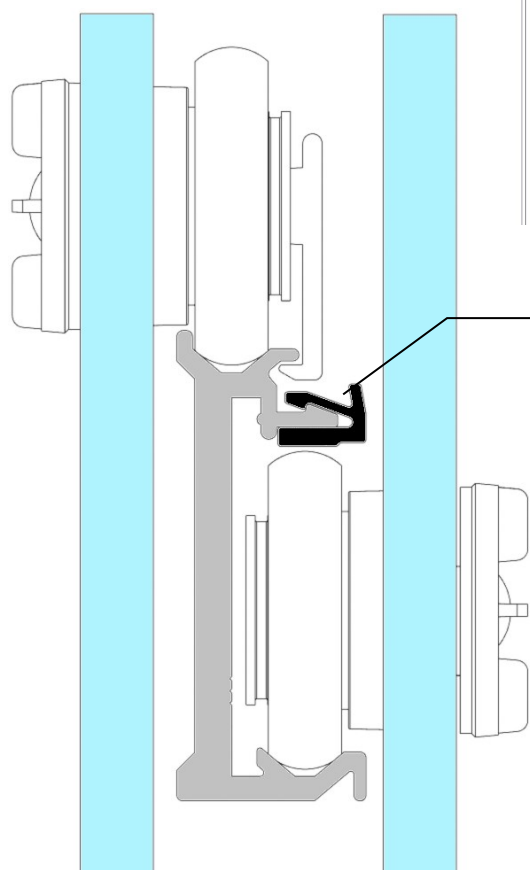
LV0935 Anti Jump Vinyl

33 Push the inner panel to 1 wall.

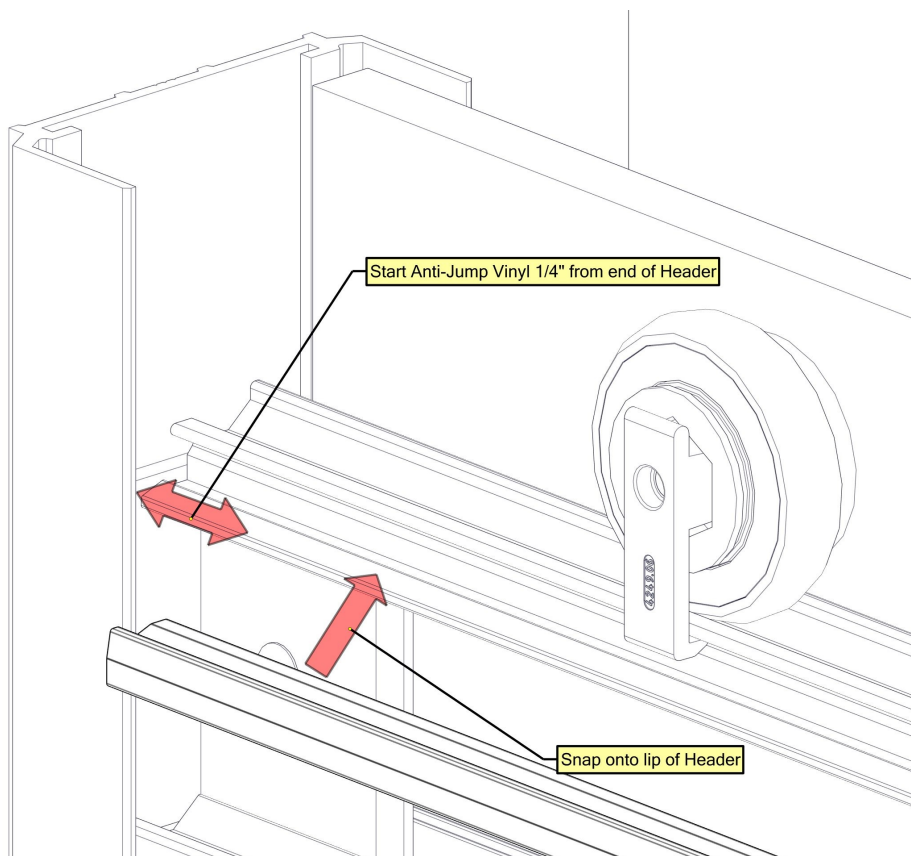
Slide 1 piece of **Anti-Jump Vinyl** behind the inner panel.

Near the other wall, begin snapping the **Anti-Jump Vinyl** onto the **Header**. For best results, leave 1/4" between the end of the **header** and the **Anti-Jump Vinyl**.

Continue snapping the vinyl onto the header towards the center of the unit.



SNAP ANTI-JUMP VINYL ONTO LIP OF HEADER AS SHOWN



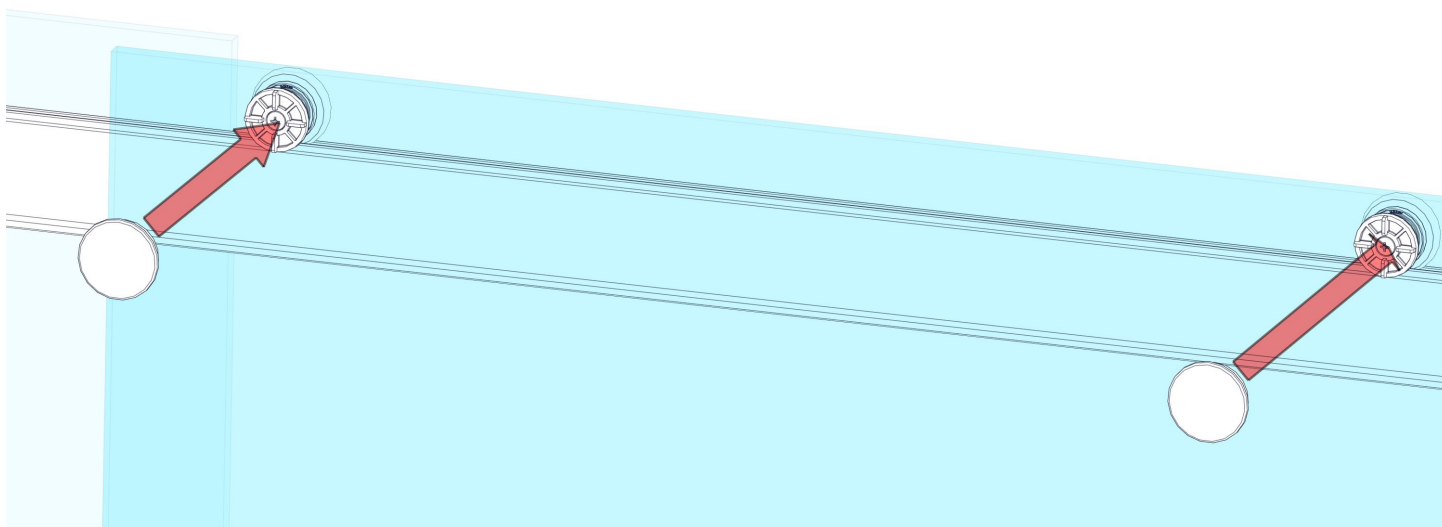
34 Repeat for the other **Anti-Jump Vinyl** piece.

Push the inner panel to the other wall.

Slide the **Anti-Jump Vinyl** behind the inner panel, meeting the already installed piece in the middle.

Beginning in the middle of the unit, snap the **Anti-Jump Vinyl** onto the header, ending with a gap at the wall.

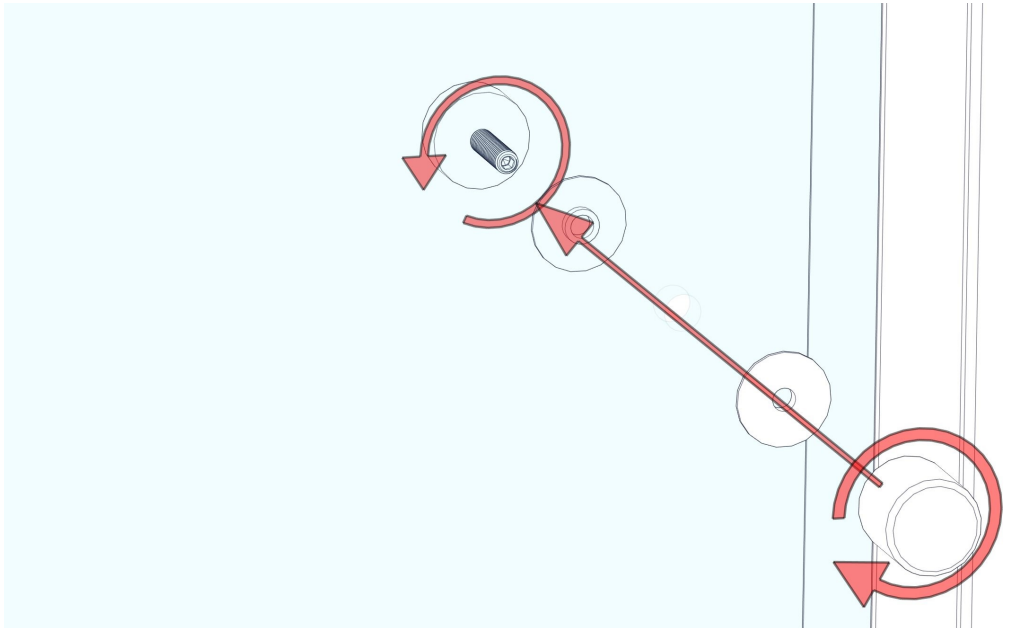
35 The **Inner Panel Rollers** and outer portion of the **Outer Panel Rollers** use the same caps. They snap on. If they do not snap, use a small amount of silicone to hold them in place.



36 The **Inner Covers** for the **Outer Panel Rollers** slide down and snap into place.



37 If ordered with a finger pull, install the **Finger Pull**. The longer side faces away from the other panel of glass



Installing the long side of the knob toward the other panel will lead to breaking 1 or both pieces of glass.

Be sure to install the long side of the knob away from the other panel!

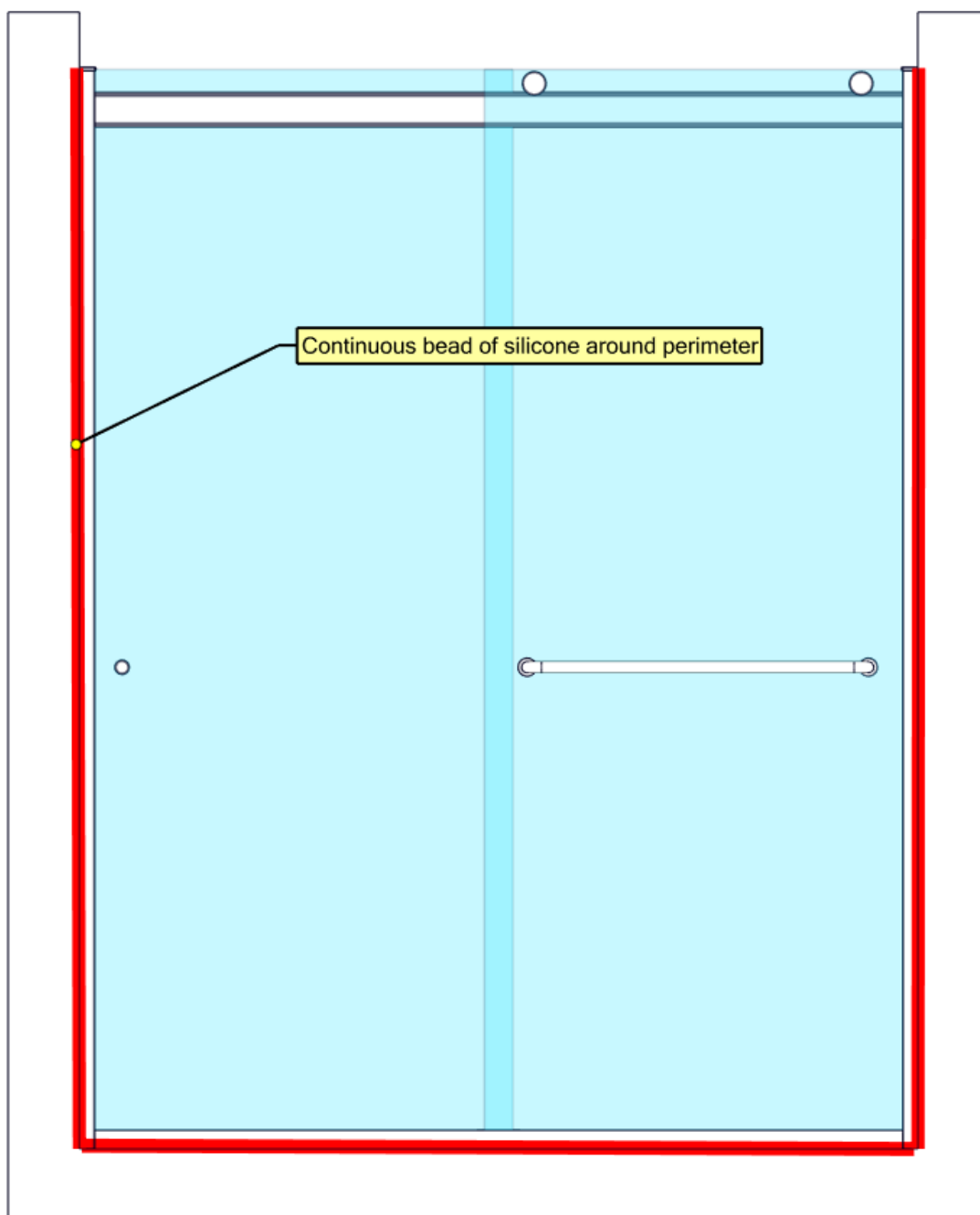
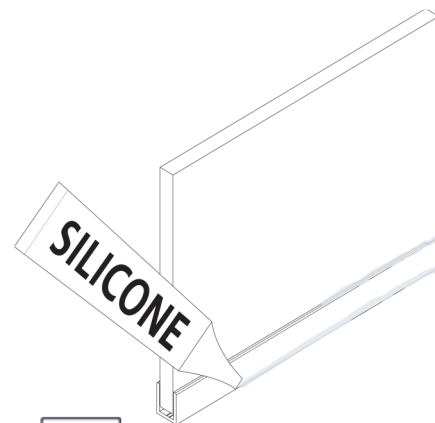
38 If ordered with a towel bar, install the **Towel Bar** on the **Outer Panel**. It is installed facing away from the other panel.



39 Carefully remove any masking tape used during installation.

40 Apply a small continuous bead of silicone where the walls and threshold meet the metal of the shower door (**Track and Wall Jamb**).

Be sure to silicone the inside and outside perimeter of the door.



NOTE: DO NOT USE the shower until the silicone is completely cured. Check the tube of silicone for the manufacturer recommended cure time (typically 24 - 48 hours).