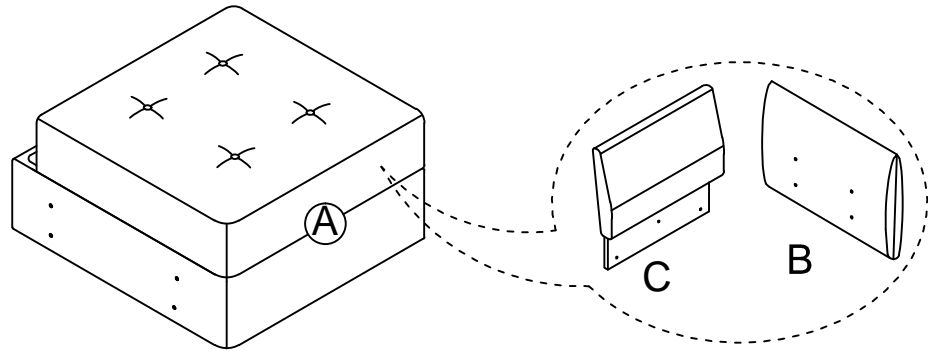


ASSEMBLY INSTRUCTION

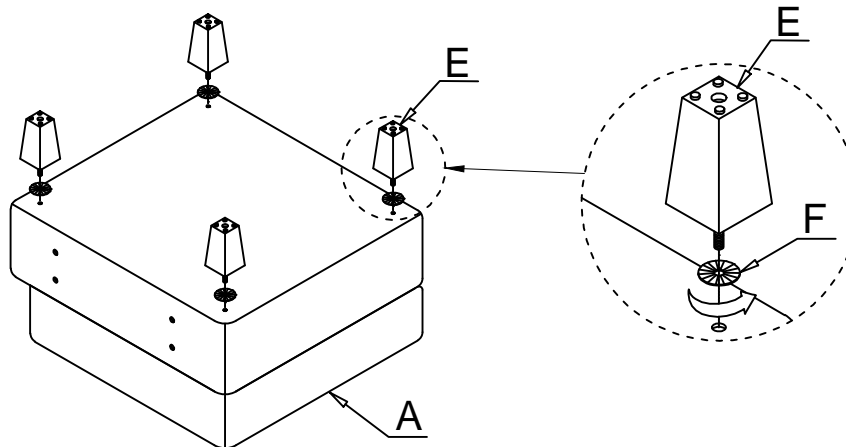
CHAIR WITH ONE ARM & STORAGE

NO.	PARTS LIST	QTY	DESCRIPTION	NO.	PARTS LIST	QTY	DESCRIPTION
A		1	Seat Frame	G		4	Allen Bolt φM8*50
B		1	LSF/RSF Armrest	H		3	Allen Bolt φM8*35
C		1	Back Rest	I		7	Flat Washer M8*φ22*1.5mm
D		1	Back Cushion	K		7	Lock Washer M8
E		4	Plastic Leg 65*65*118mm	L		1	Allen Key M5*100*50mm
F		4	Washer	M		2	Clamp 60*40*5mm

STEP 1: Take out LSF/RSF Armrest (B), Back rest (C) from the bottom.



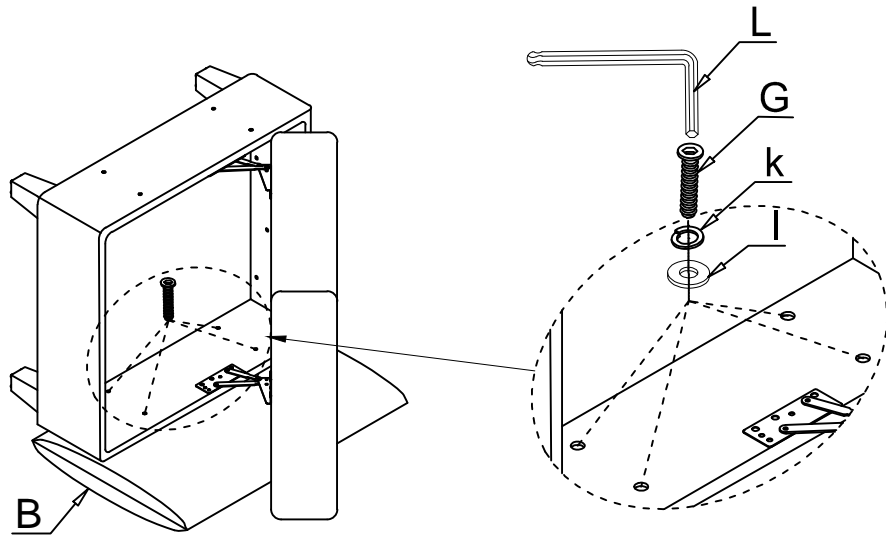
STEP 2:



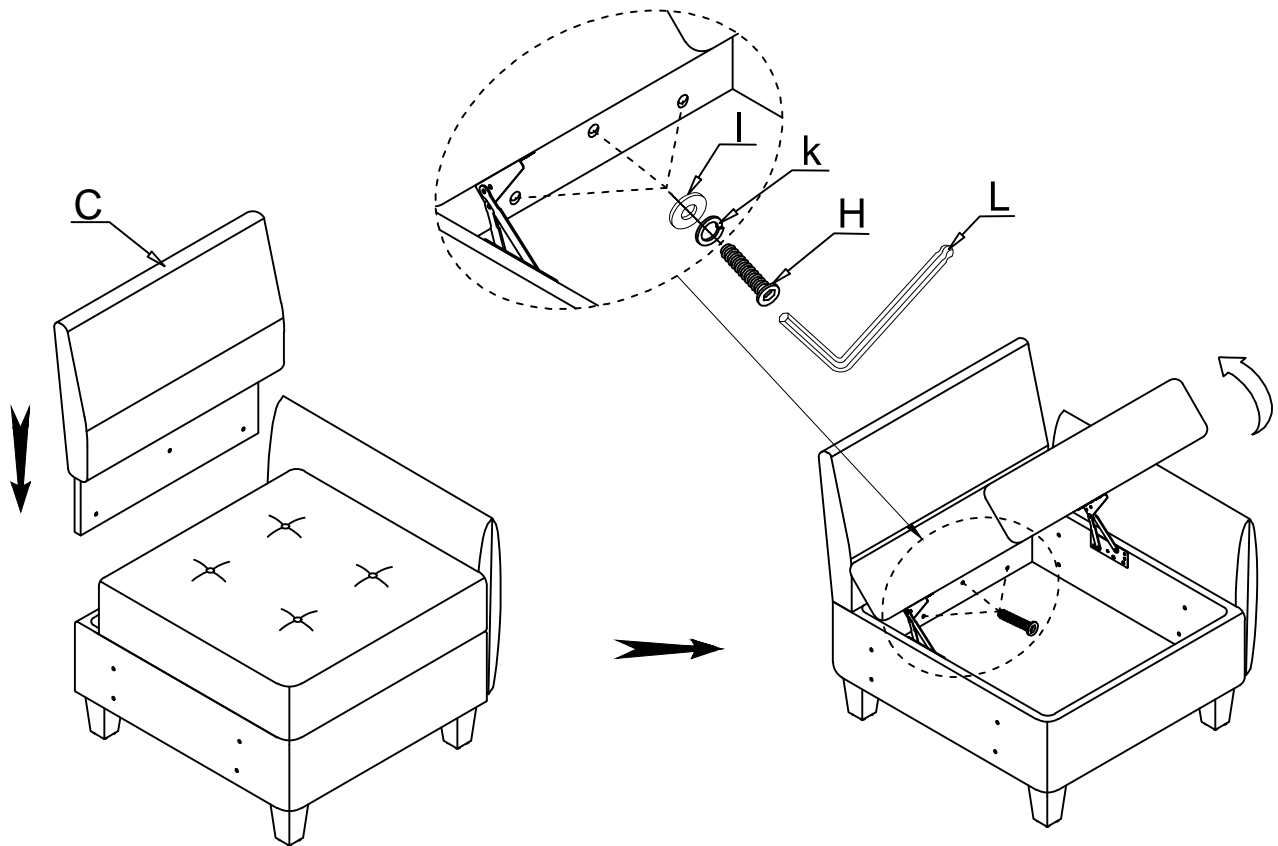
ASSEMBLY INSTRUCTION

CHAIR WITH ONE ARM & STORAGE

STEP 3:



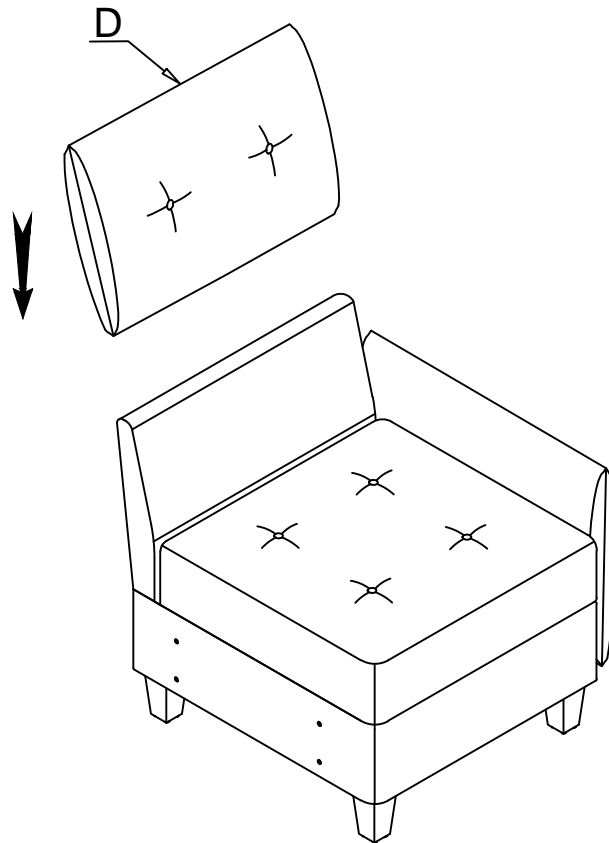
STEP 4:



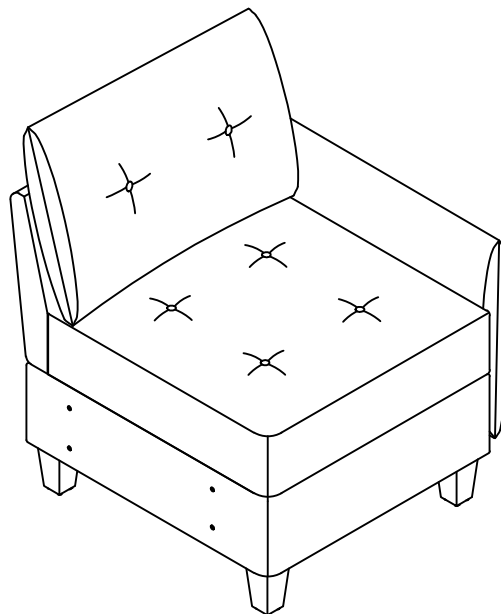
ASSEMBLY INSTRUCTION

CHAIR WITH ONE ARM & STORAGE

STEP 5:



STEP 6:



CARE INSTRUCTION FOR FABRIC FURNITURE

In order to maintain the original appearance of your fabric furniture, please follow below simple care procedures.

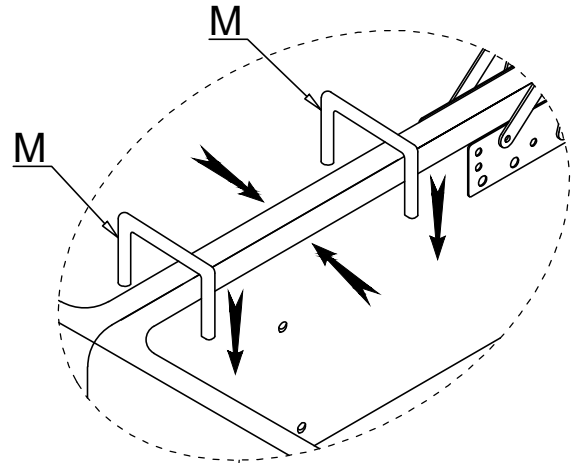
°Avoid exposing furniture directly to sunlight or heating and air conditioning outlets. Exposure to sunlight or heating and air conditioning outlets will fade/damage fabric.

°Wipe gently with a damp soft cloth to remove dust, dirt and any grime build up.

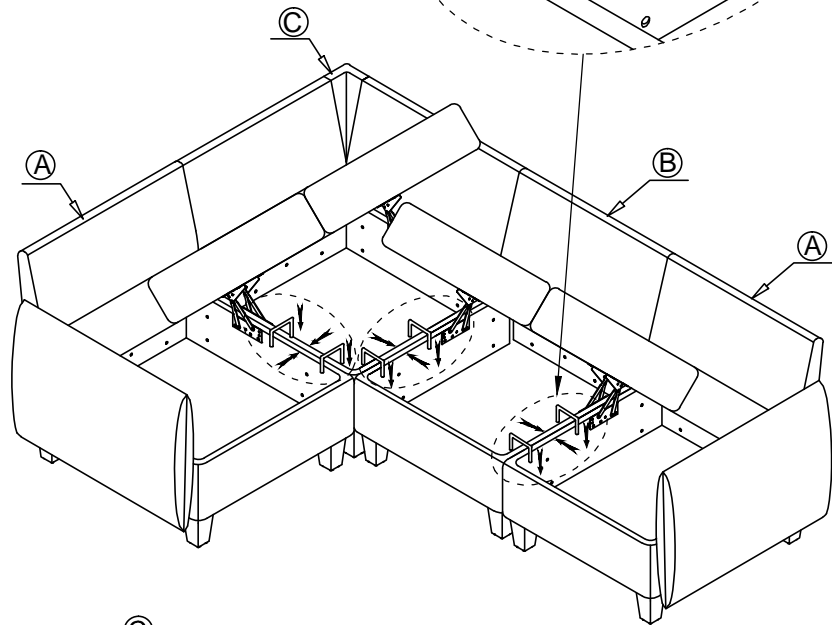
ASSEMBLY INSTRUCTION

CHAIR WITH ONE ARM & STORAGE

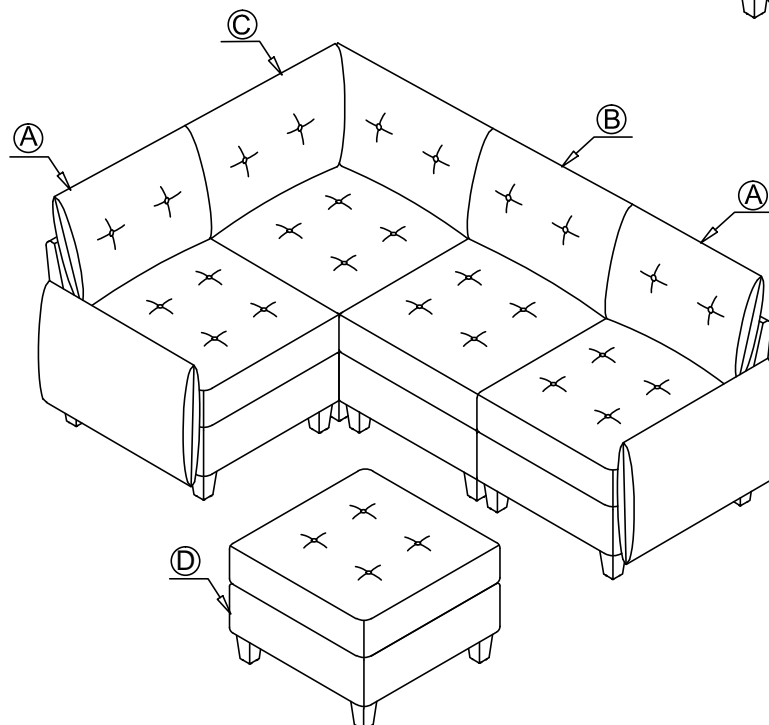
NO.	PARTS LIST	QTY	DESCRIPTION
A		1	Chair With One Arm & Storage
B		1	Armless Chair With Storage
C		1	Corner Seat With Storage
D		1	Ottoman With Storage



STEP 7:



STEP 8:

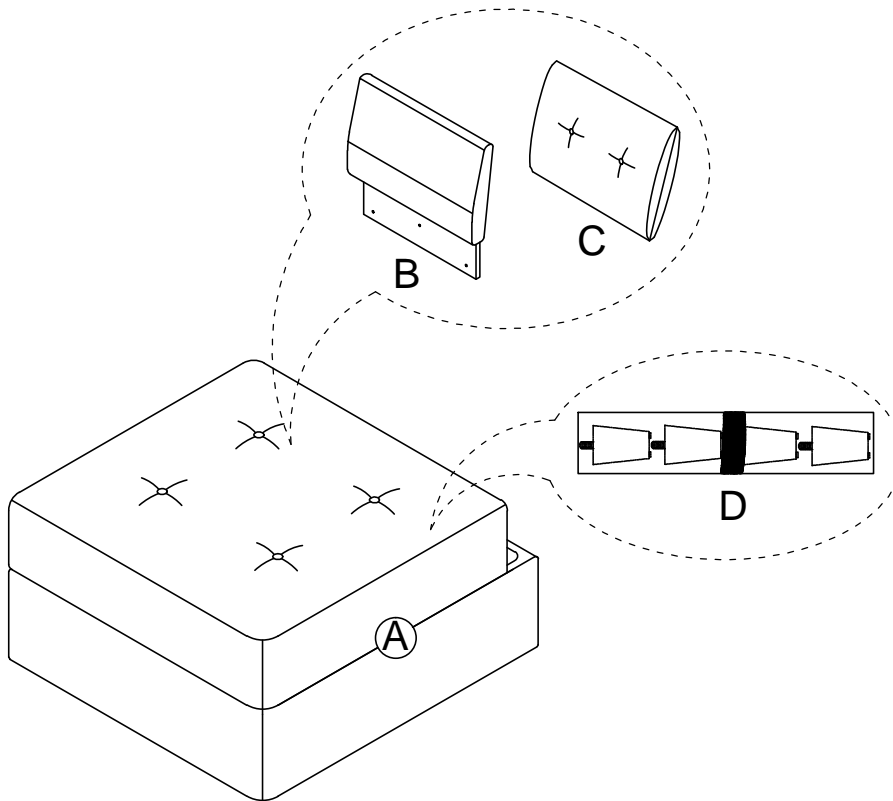


ASSEMBLY INSTRUCTION

ARMLESS CHAIR WITH STORAGE

NO.	PARTS LIST	QTY	DESCRIPTION	NO.	PARTS LIST	QTY	DESCRIPTION
A		1	Seat Frame	F		3	Allen Bolt ØM8*35
B		1	Back Rest	G		3	Flat Washer M8*Ø22*1.5mm
C		1	Back Cushion	H		3	Lock Washer M8
D		4	Plastic Leg 65*65*118mm	I		1	Allen Key M5*100*50mm
E		4	Washer	K		2	Clamp 60*40*5mm

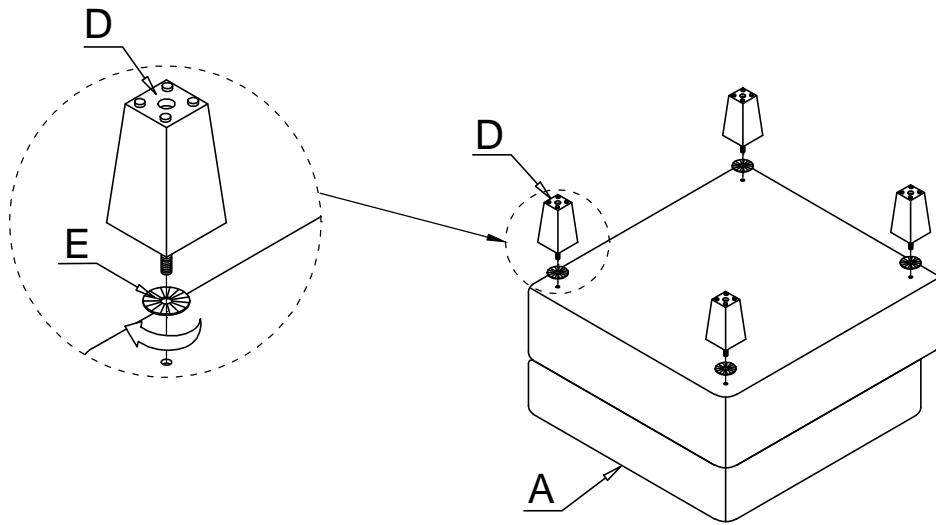
STEP 1: Take out Back Rest(B), Back Cushion(C), Plastic leg(D), Washer(E), Allen Bolt(F), Flat Washer(G), Lock Washer(H), Allen Key(I), Clamp(K) from the bottom.



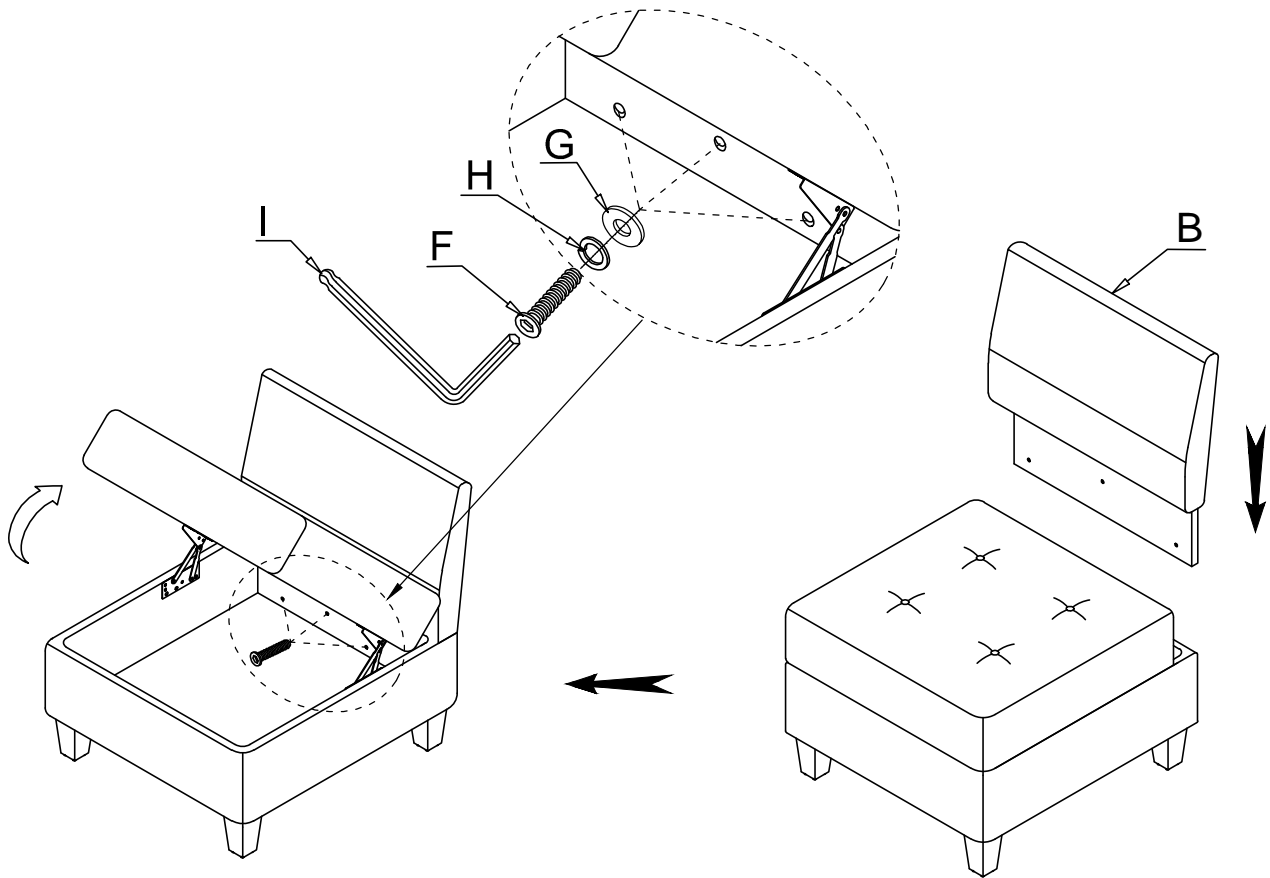
ASSEMBLY INSTRUCTION

ARMLESS CHAIR WITH STORAGE

STEP 2:



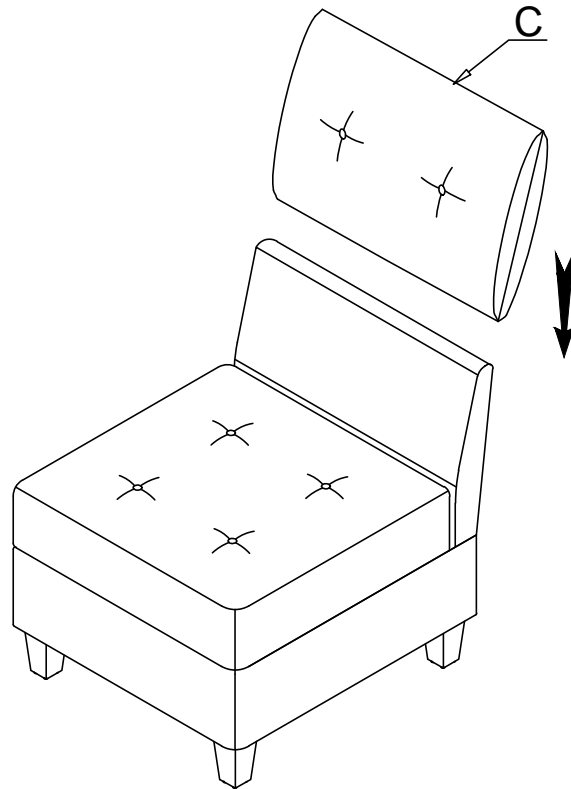
STEP 3:



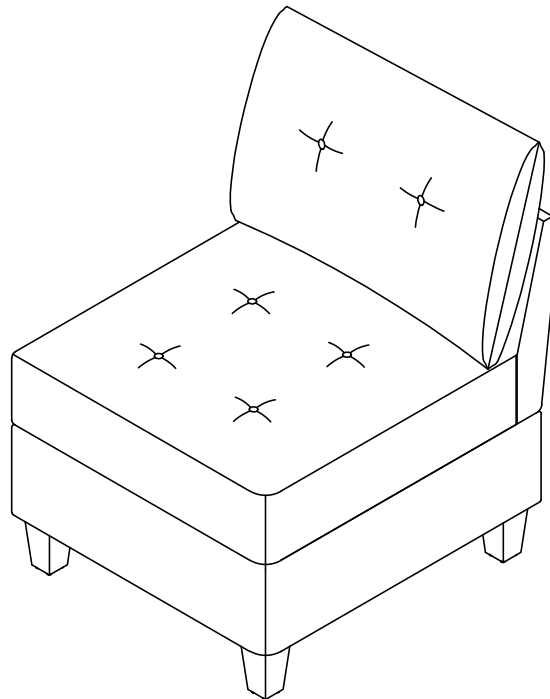
ASSEMBLY INSTRUCTION

ARMLESS CHAIR WITH STORAGE

STEP 4:



STEP 5:



CARE INSTRUCTION FOR FABRIC FURNITURE

In order to maintain the original appearance of your fabric furniture, please follow below simple care procedures.

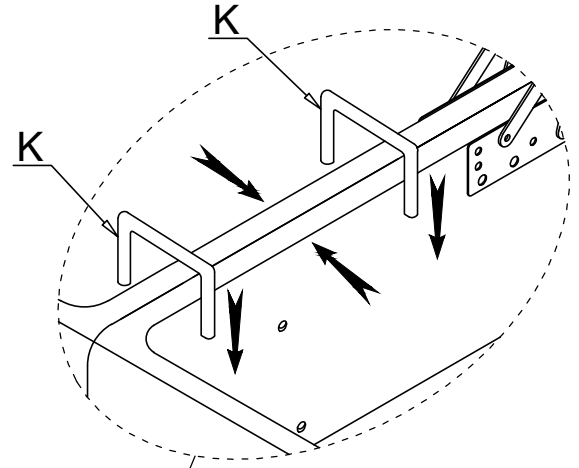
°Avoid exposing furniture directly to sunlight or heating and air conditioning outlets. Exposure to sunlight or heating and air conditioning outlets will fade/damage fabric.

°Wipe gently with a damp soft cloth to remove dust, dirt and any grime build up.

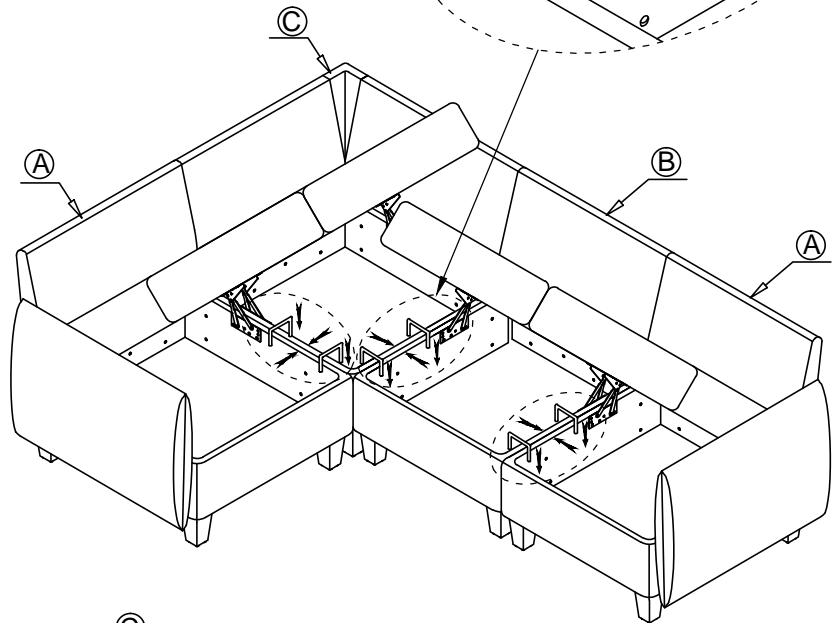
ASSEMBLY INSTRUCTION

ARMLESS CHAIR WITH STORAGE

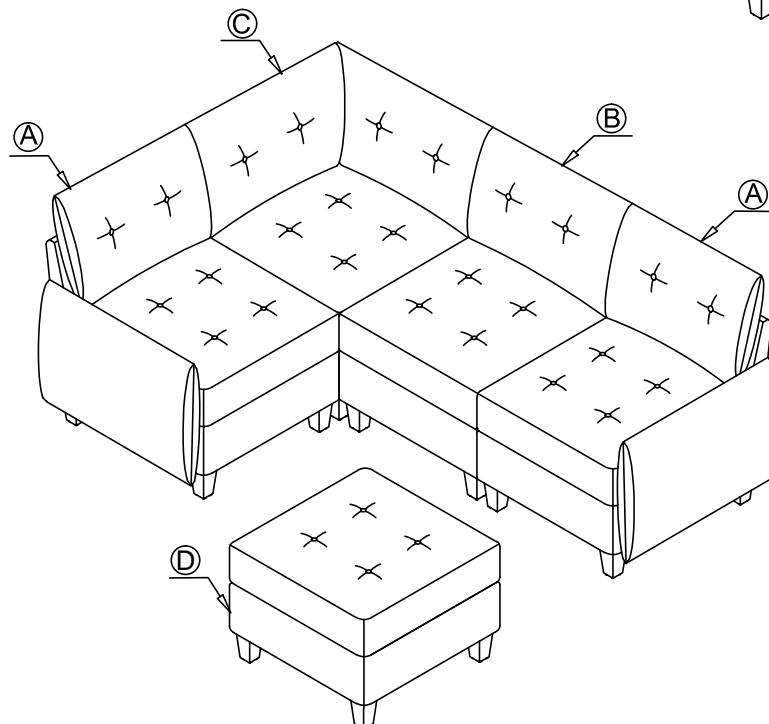
NO.	PARTS LIST	QTY	DESCRIPTION
A		1	Chair With One Arm & Storage
B		1	Armless Chair With Storage
C		1	Corner Seat With Storage
D		1	Ottoman With Storage



STEP 6:

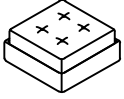



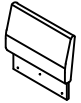










STEP 7:

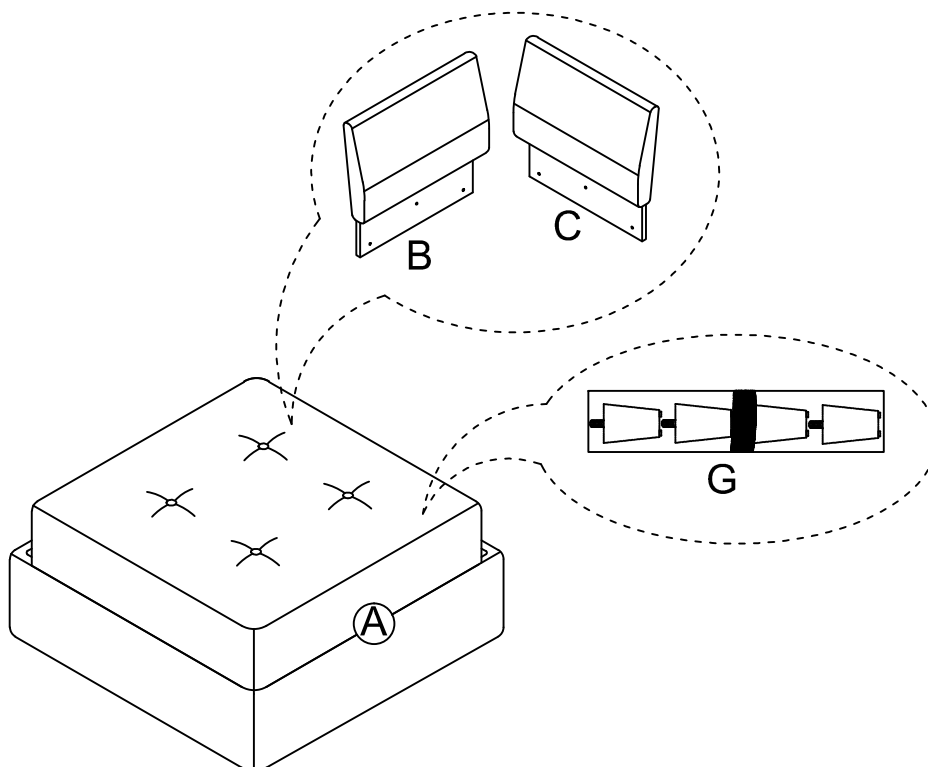


ASSEMBLY INSTRUCTION

CORNER SEAT WITH STORAGE

NO.	PARTS LIST	QTY	DESCRIPTION	NO.	PARTS LIST	QTY	DESCRIPTION
A		1	Seat Frame	H		4	Washer
B		1	Left Back Rest	I		6	Allen Bolt φM8*35
C		1	Right Back Rest	K		6	Flat Washer M8*φ22*1.5mm
D		1	Left Back Cushion	L		6	Lock Washer M8
E		1	Right Back Cushion	M		1	Allen Key M5*100*50mm
F		1	Ear	N		2	Clamp 60*40*5mm
G		4	Plastic Leg 65*65*118mm				

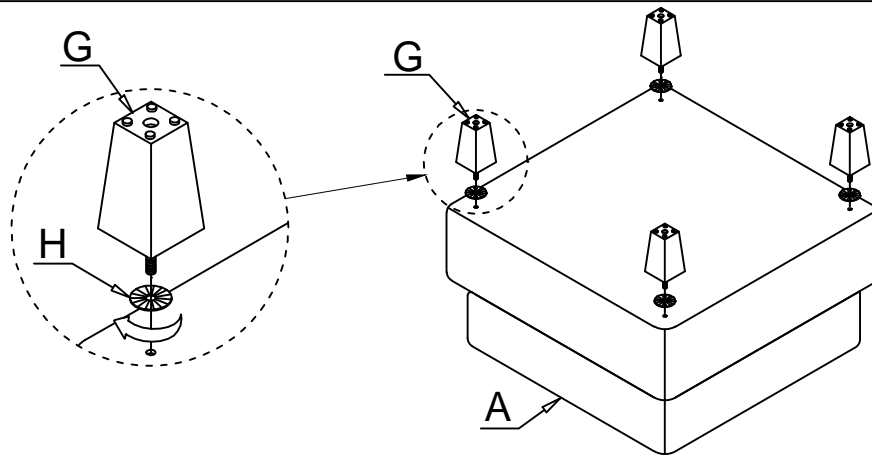
STEP 1: Take out Left Back rest (B), Right Back rest (C), Plastic leg (G), Washer (H), Allen Bolt (I), Flat Washer (K), Lock Washer (L), Allen Key (M), Clamp (N) from the bottom.



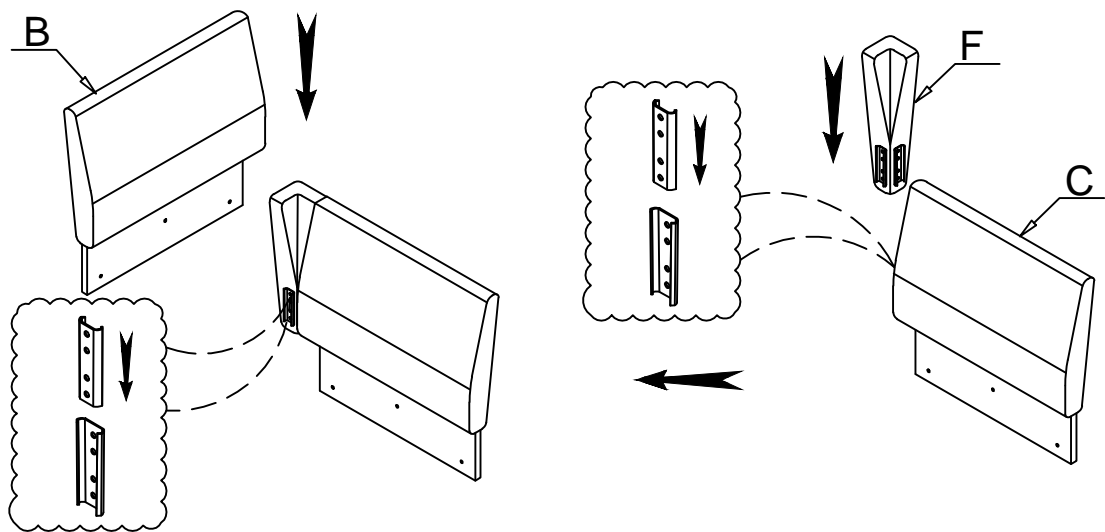
ASSEMBLY INSTRUCTION

CORNER SEAT WITH STORAGE

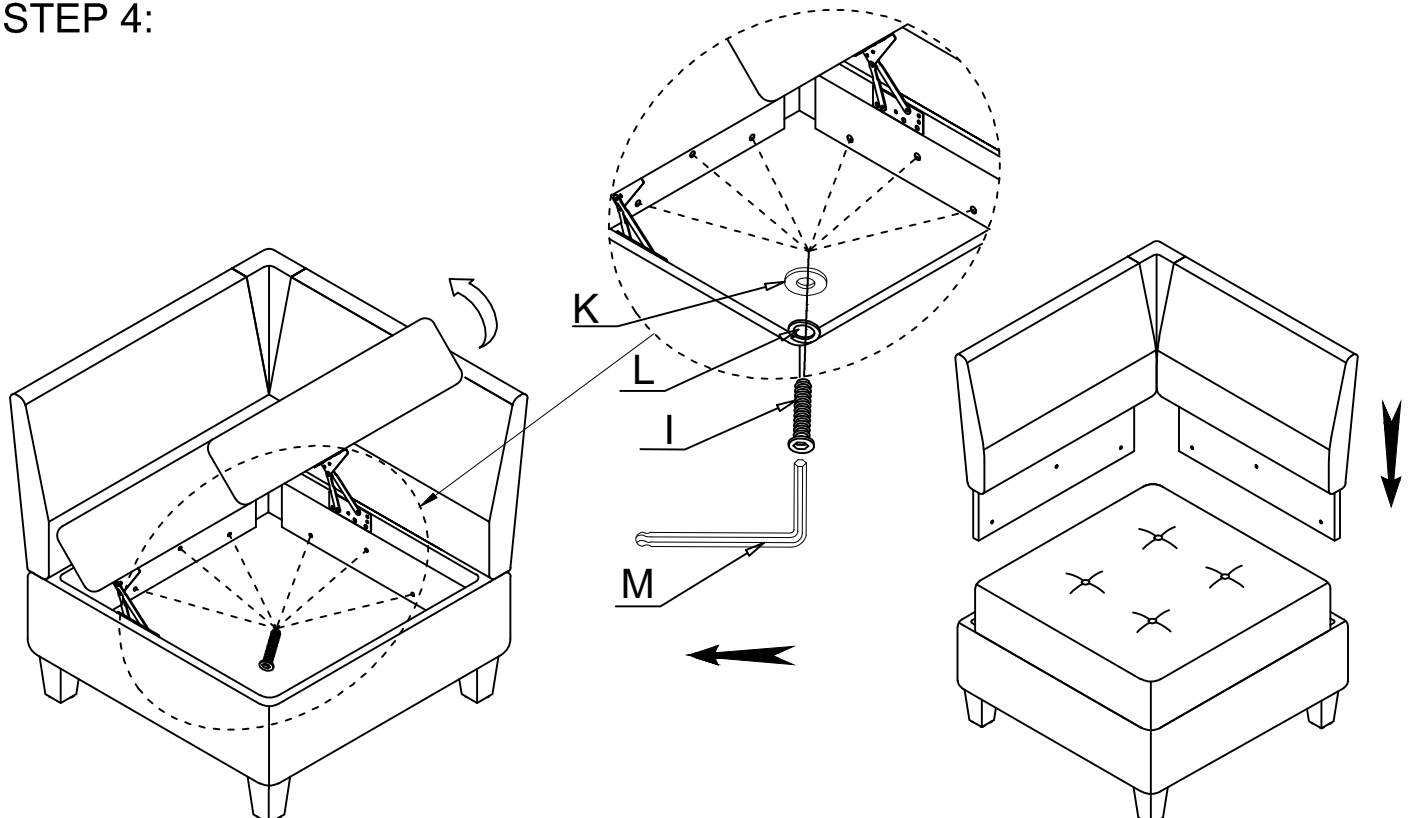
STEP 2:



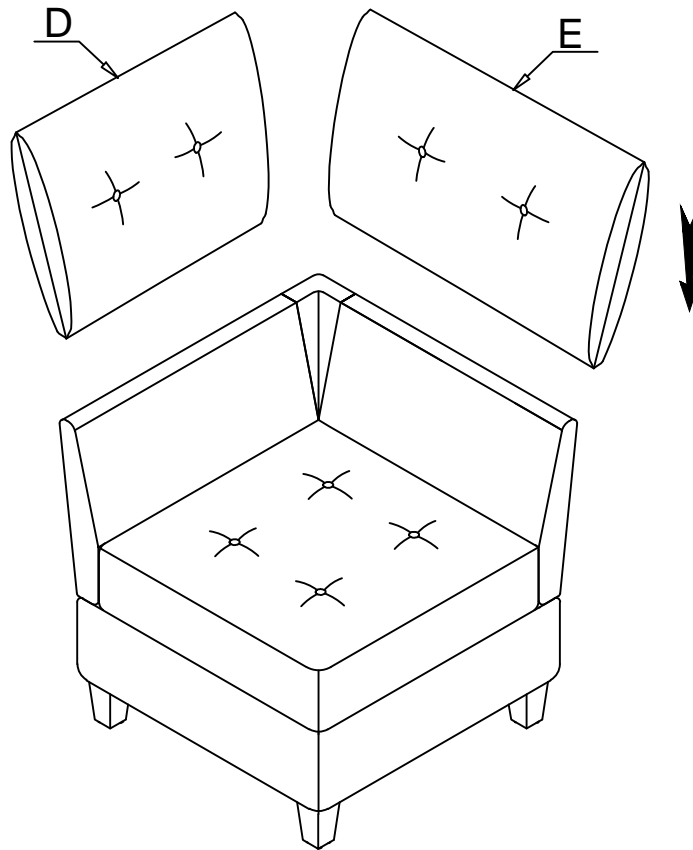
STEP 3:



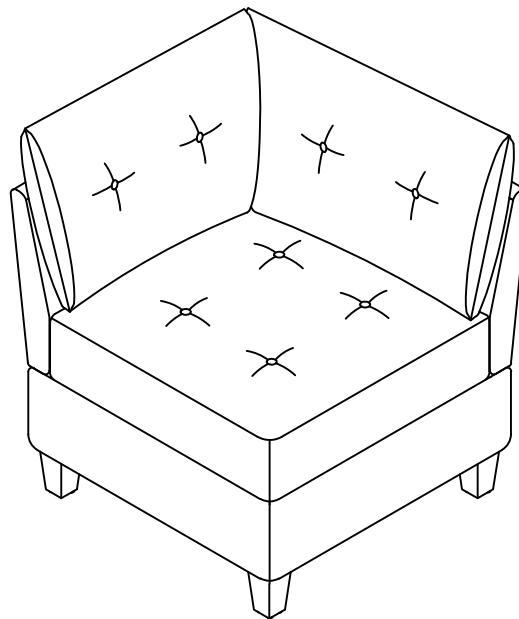
STEP 4:



STEP 5:



STEP 6:



CARE INSTRUCTION FOR FABRIC FURNITURE

In order to maintain the original appearance of your fabric furniture, please follow below simple care procedures.

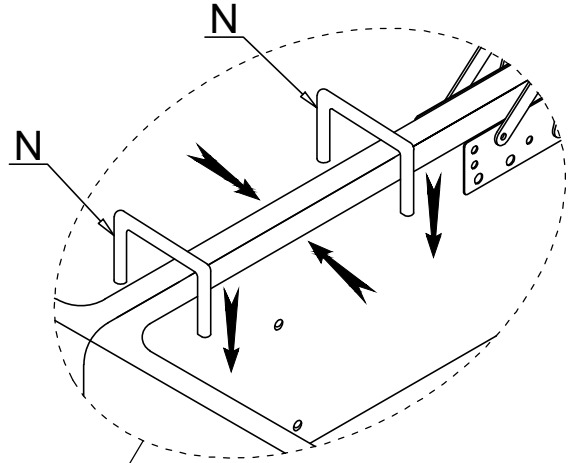
°Avoid exposing furniture directly to sunlight or heating and air conditioning outlets. Exposure to sunlight or heating and air conditioning outlets will fade/damage fabric.

°Wipe gently with a damp soft cloth to remove dust, dirt and any grime build up.

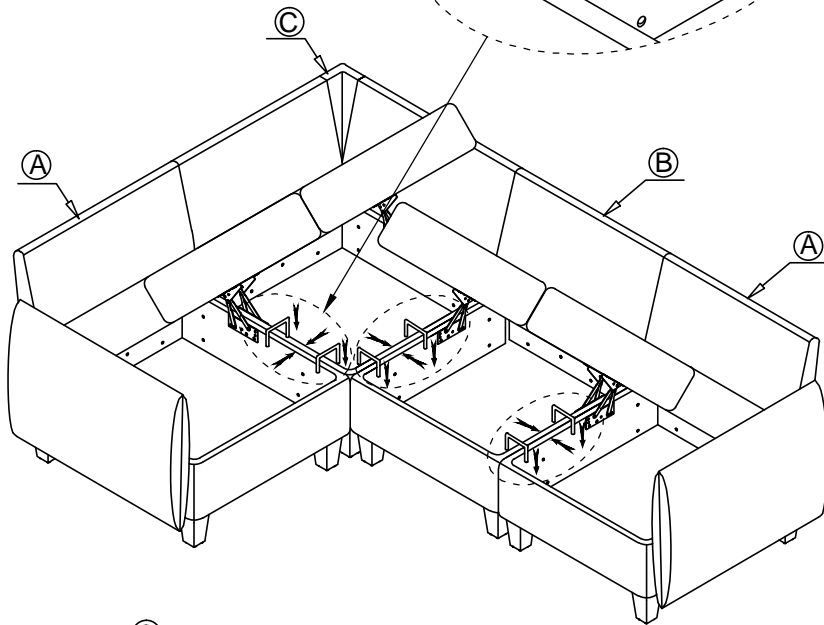
ASSEMBLY INSTRUCTION

CORNER SEAT WITH STORAGE

NO.	PARTS LIST	QTY	DESCRIPTION
A		1	Chair With One Arm & Storage
B		1	Armless Chair With Storage
C		1	Corner Seat With Storage
D		1	Ottoman With Storage



STEP 7:



STEP 8:

